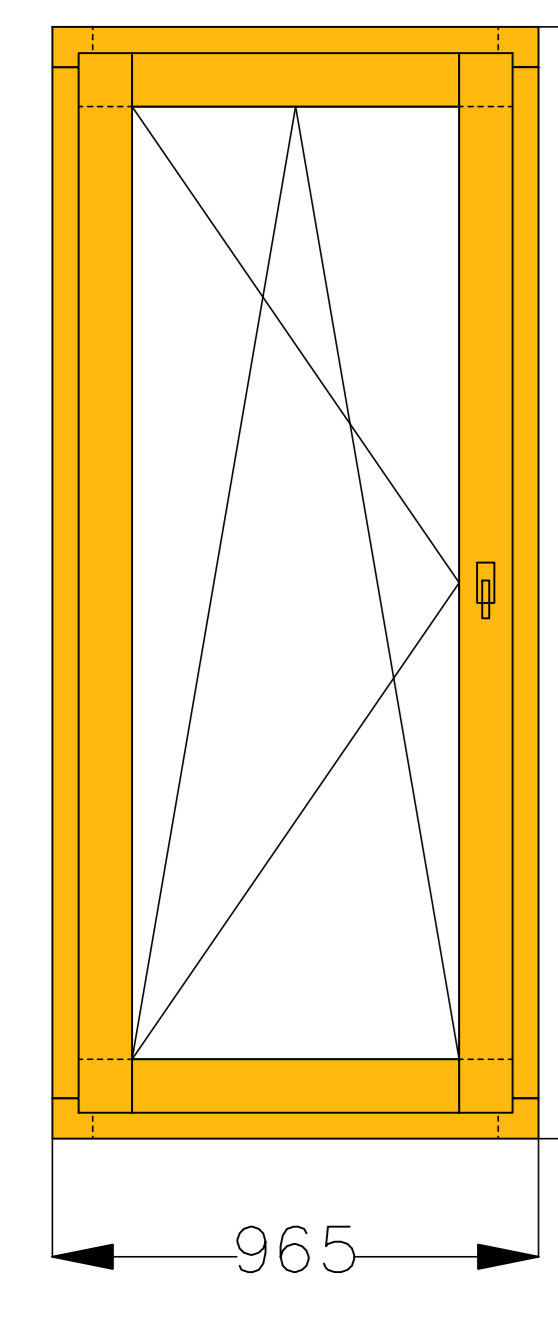
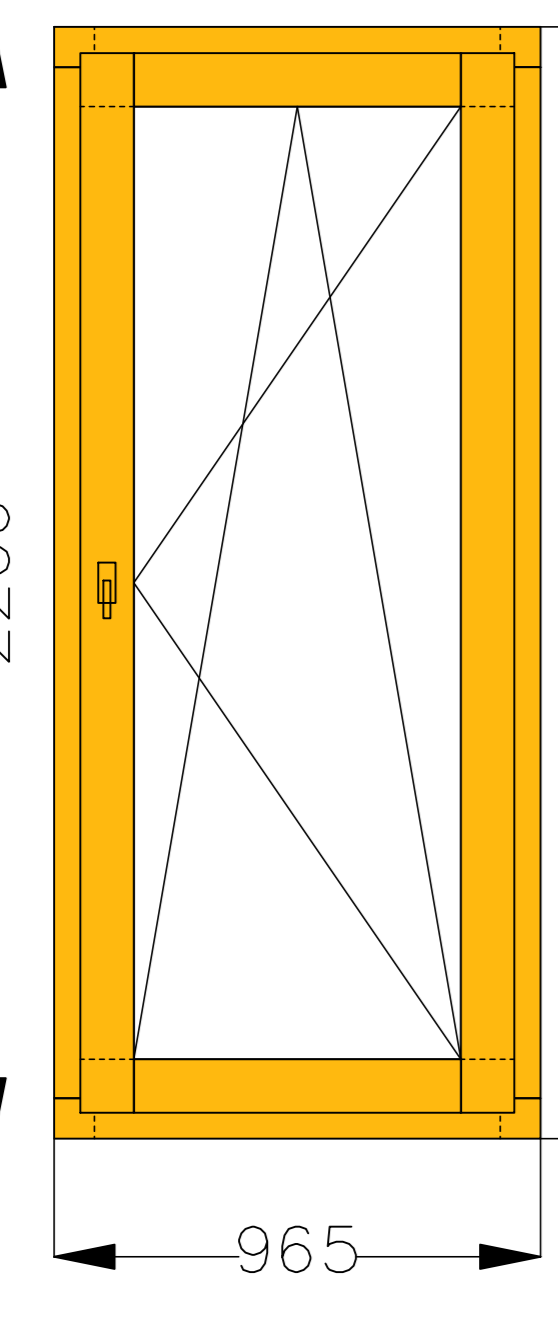


TILT-TURN DOORS LOCKABLE

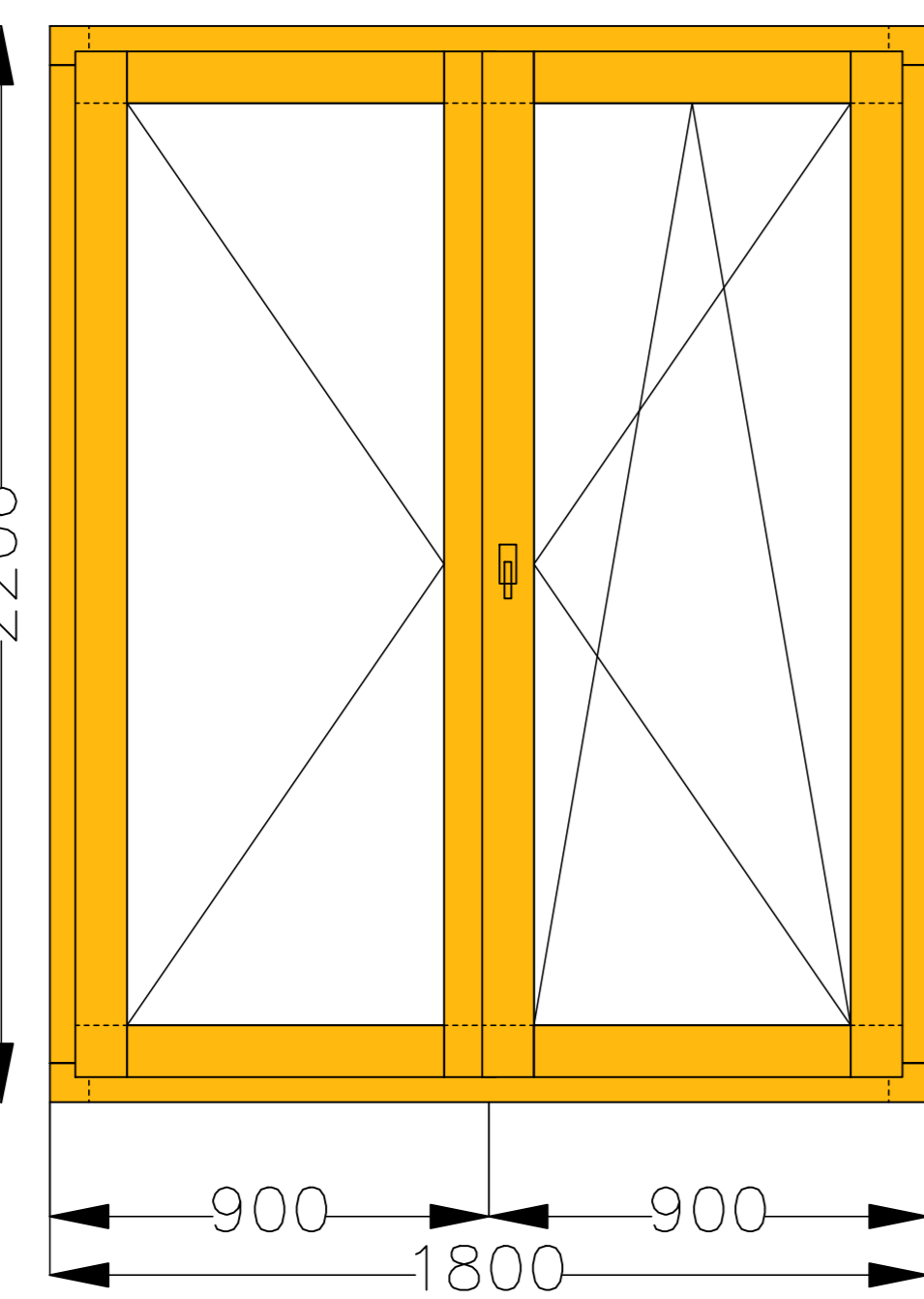
D201



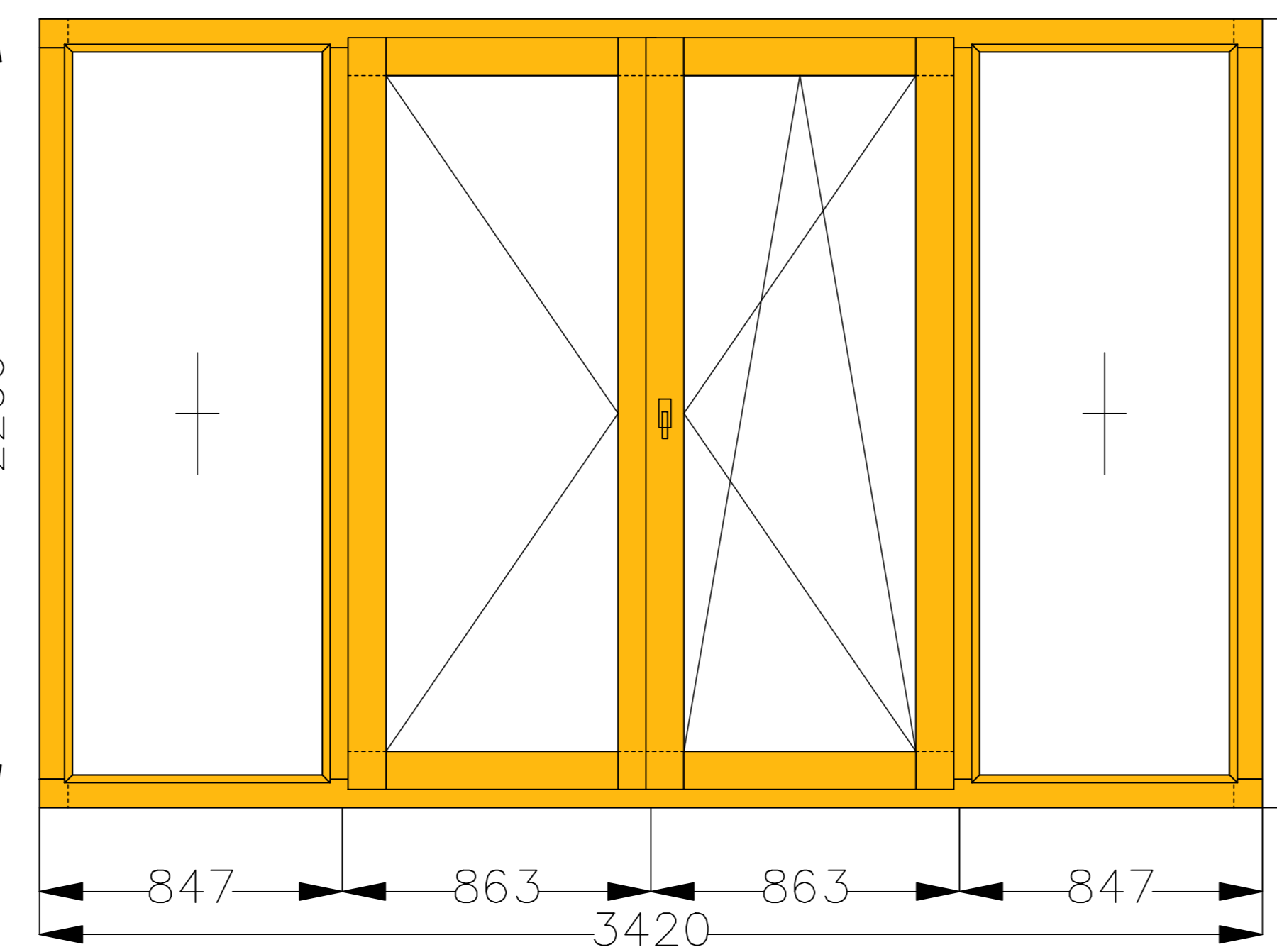
D202



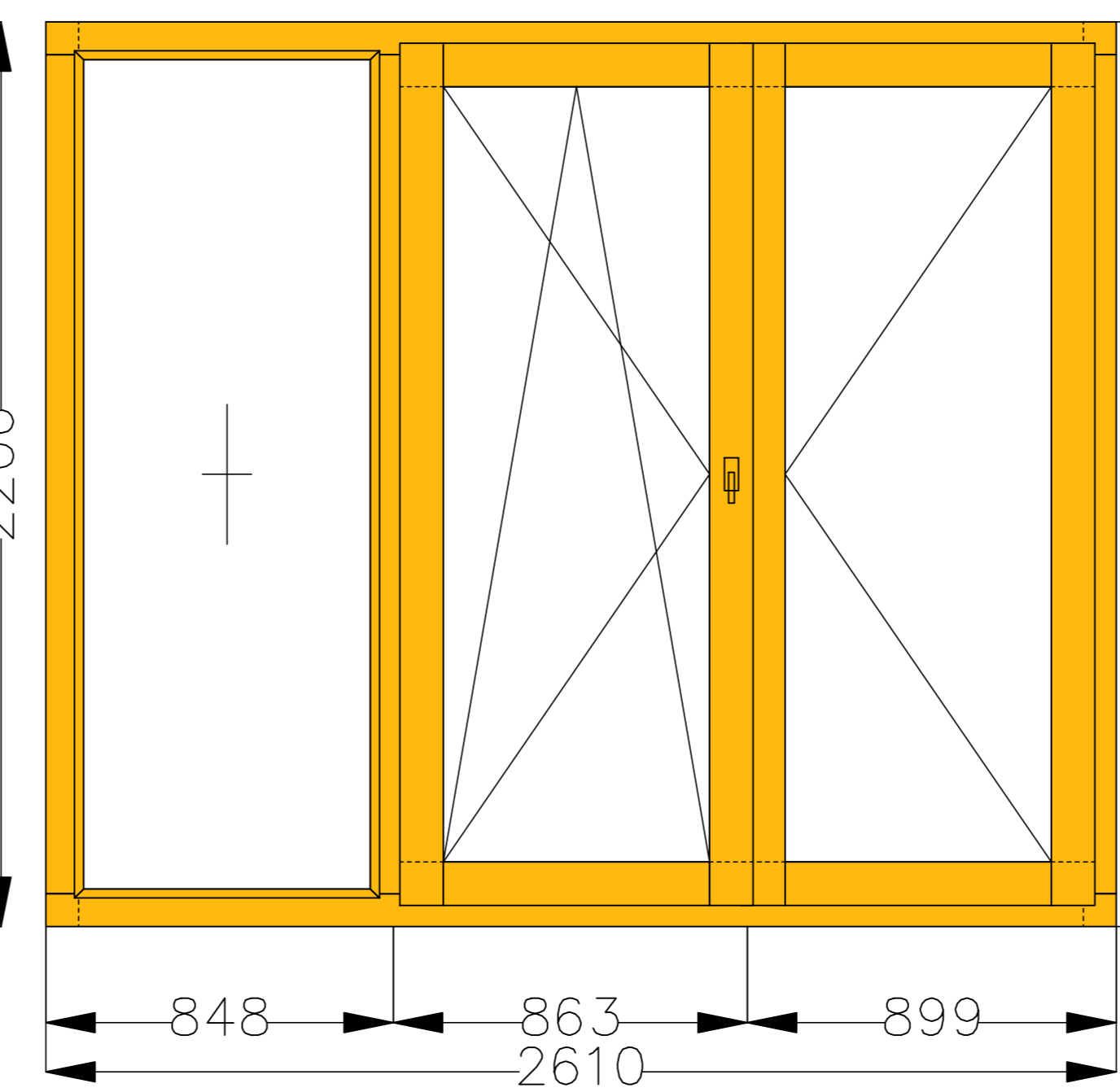
D203



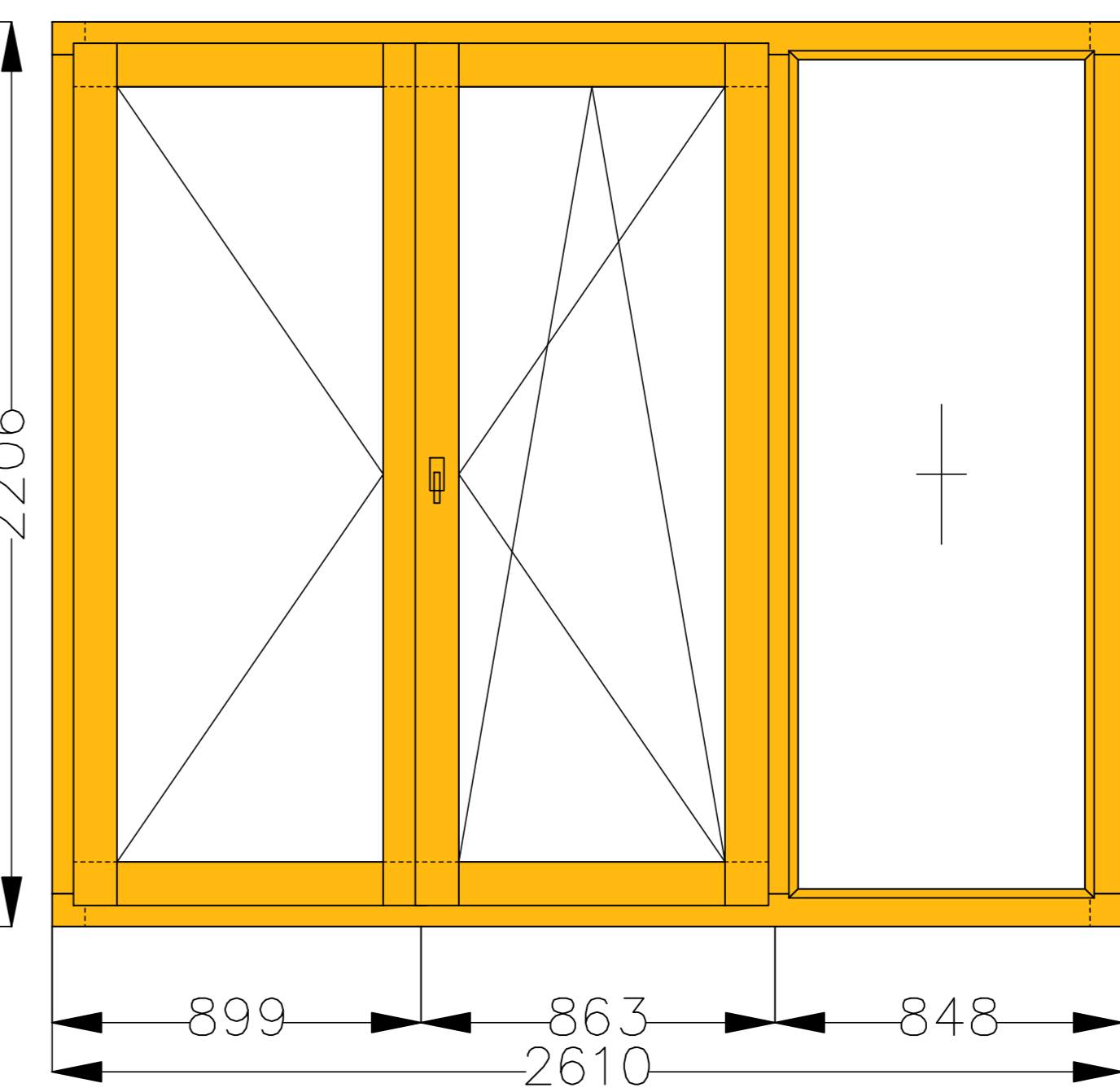
D204



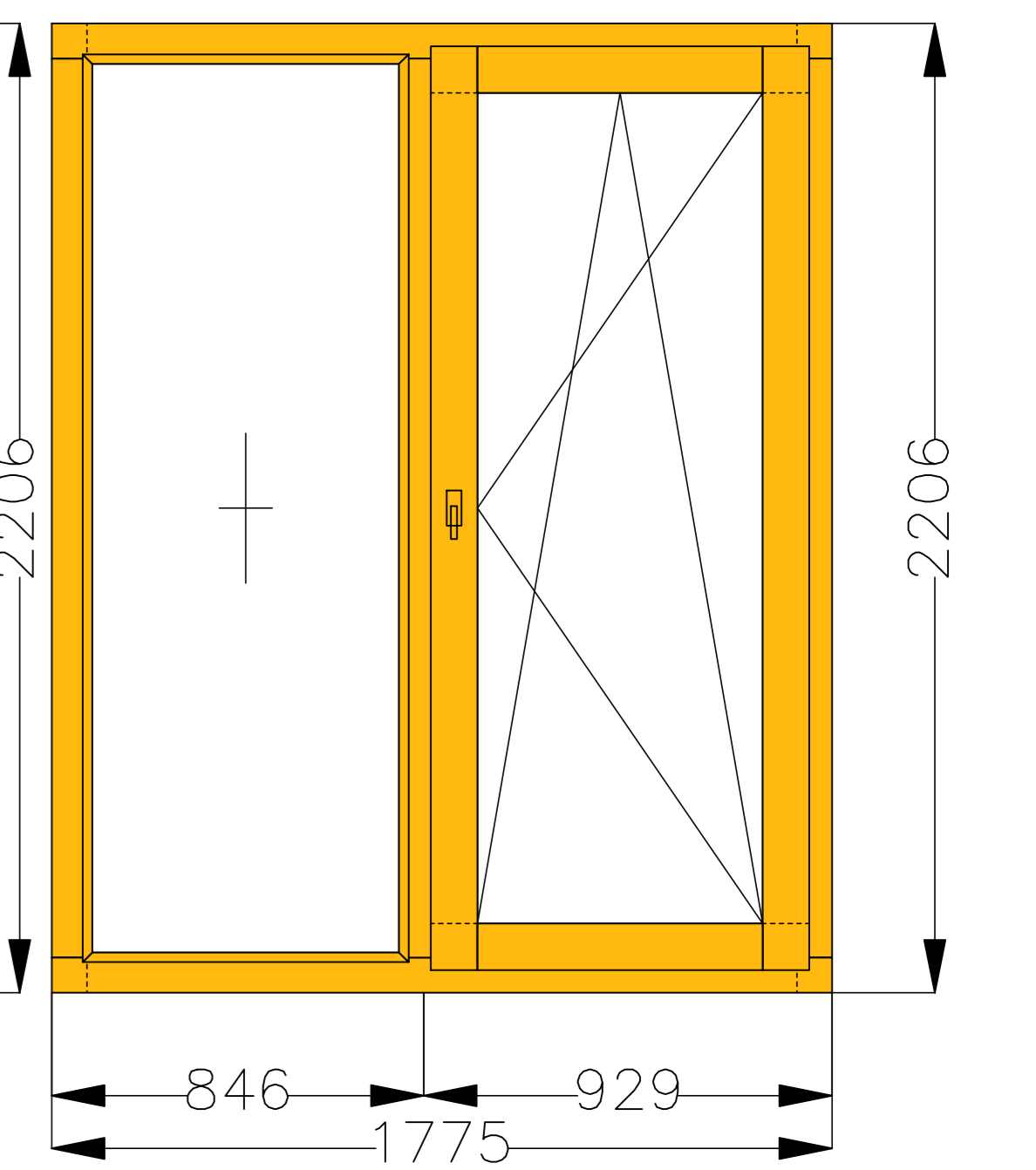
D205



D206

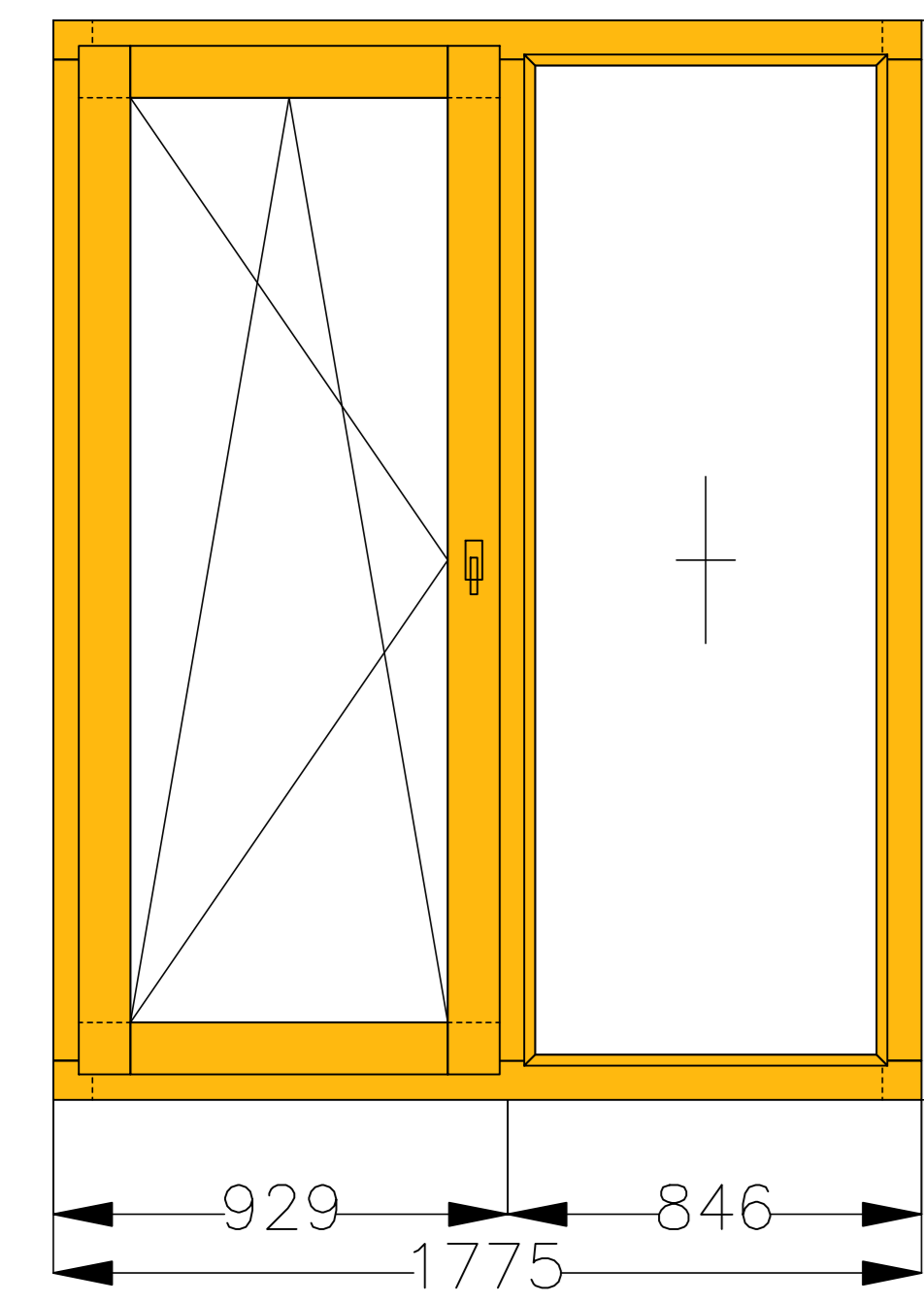


D207

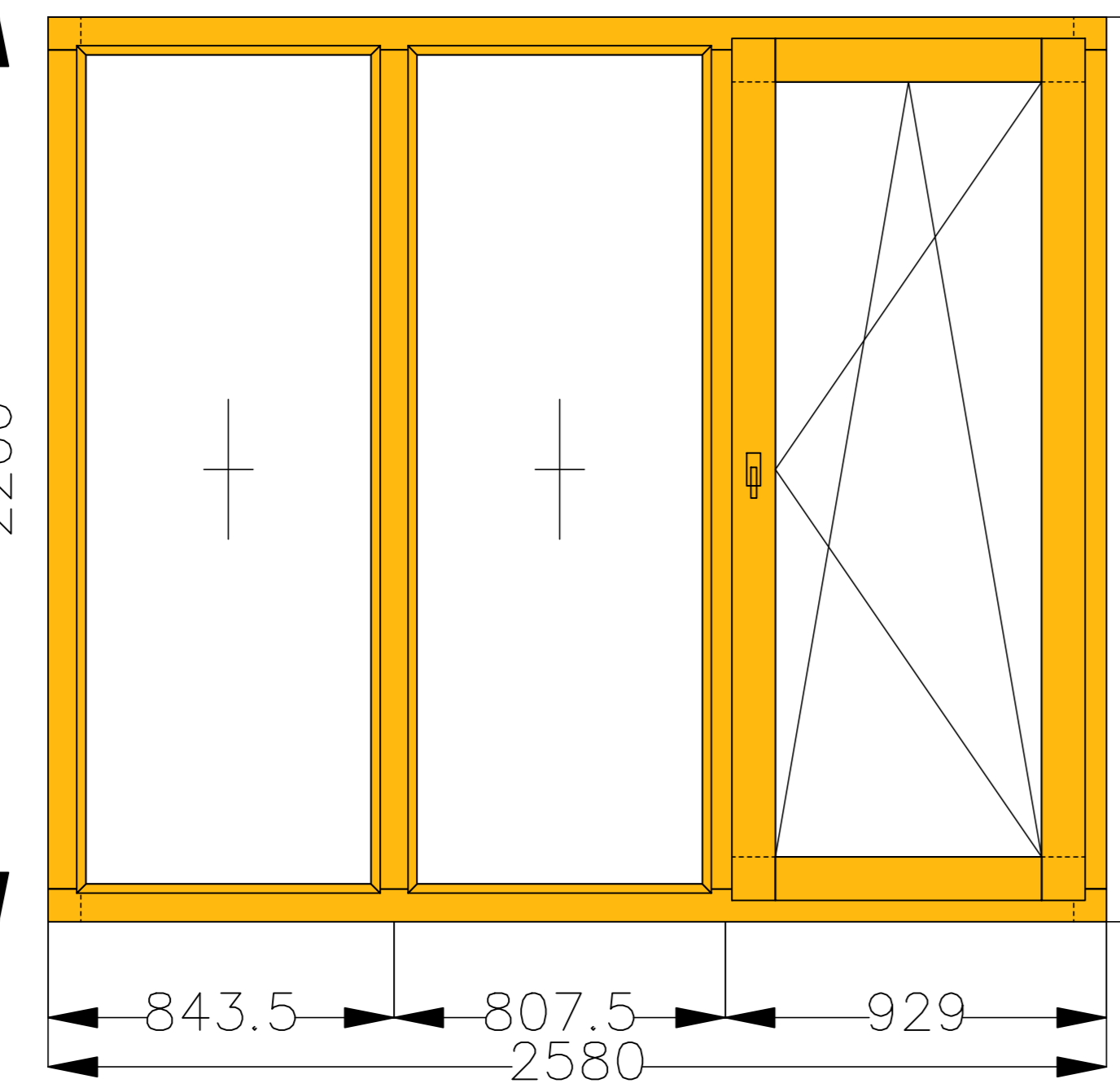


TILT-TURN DOORS LOCKABLE

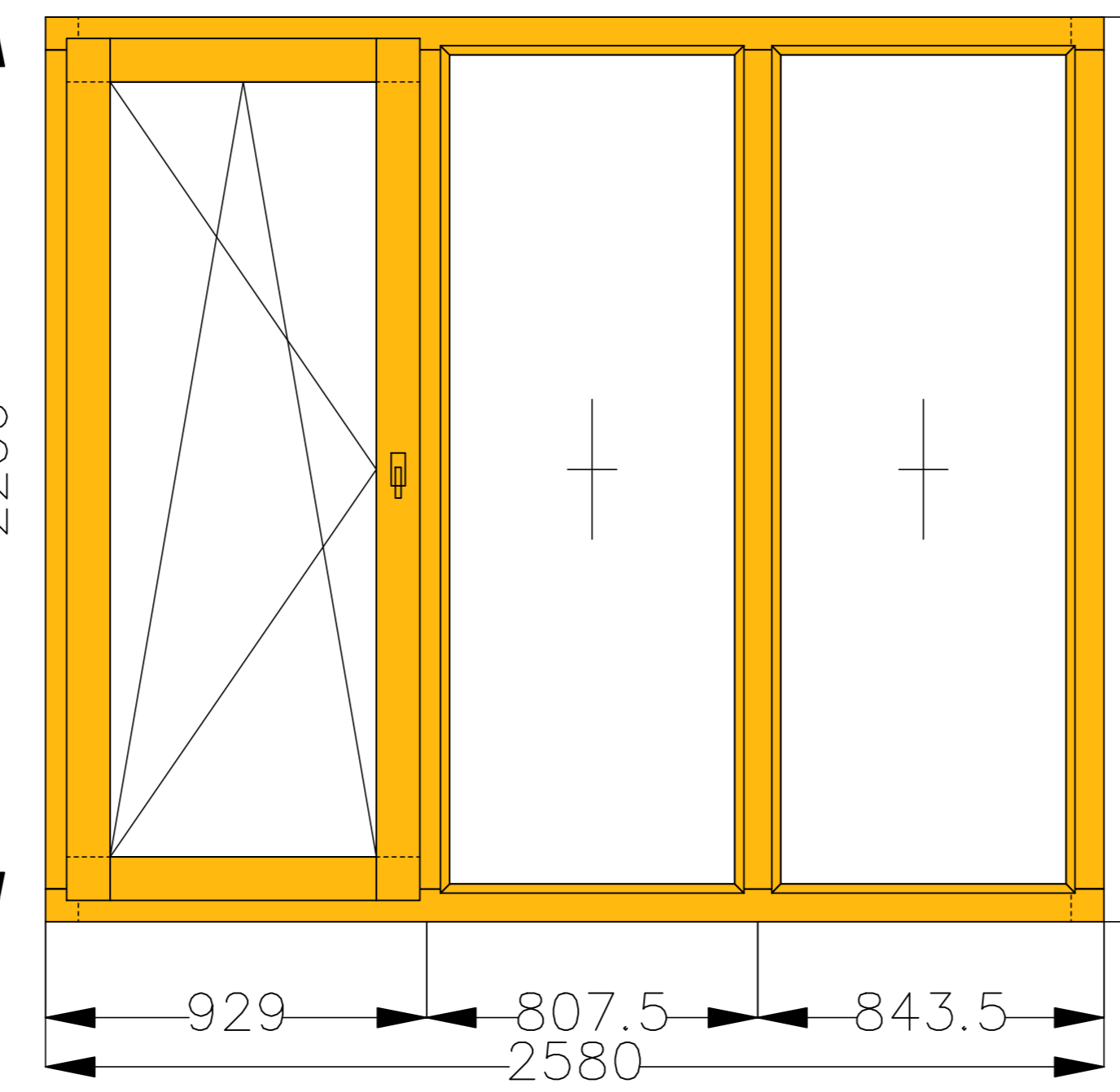
D208



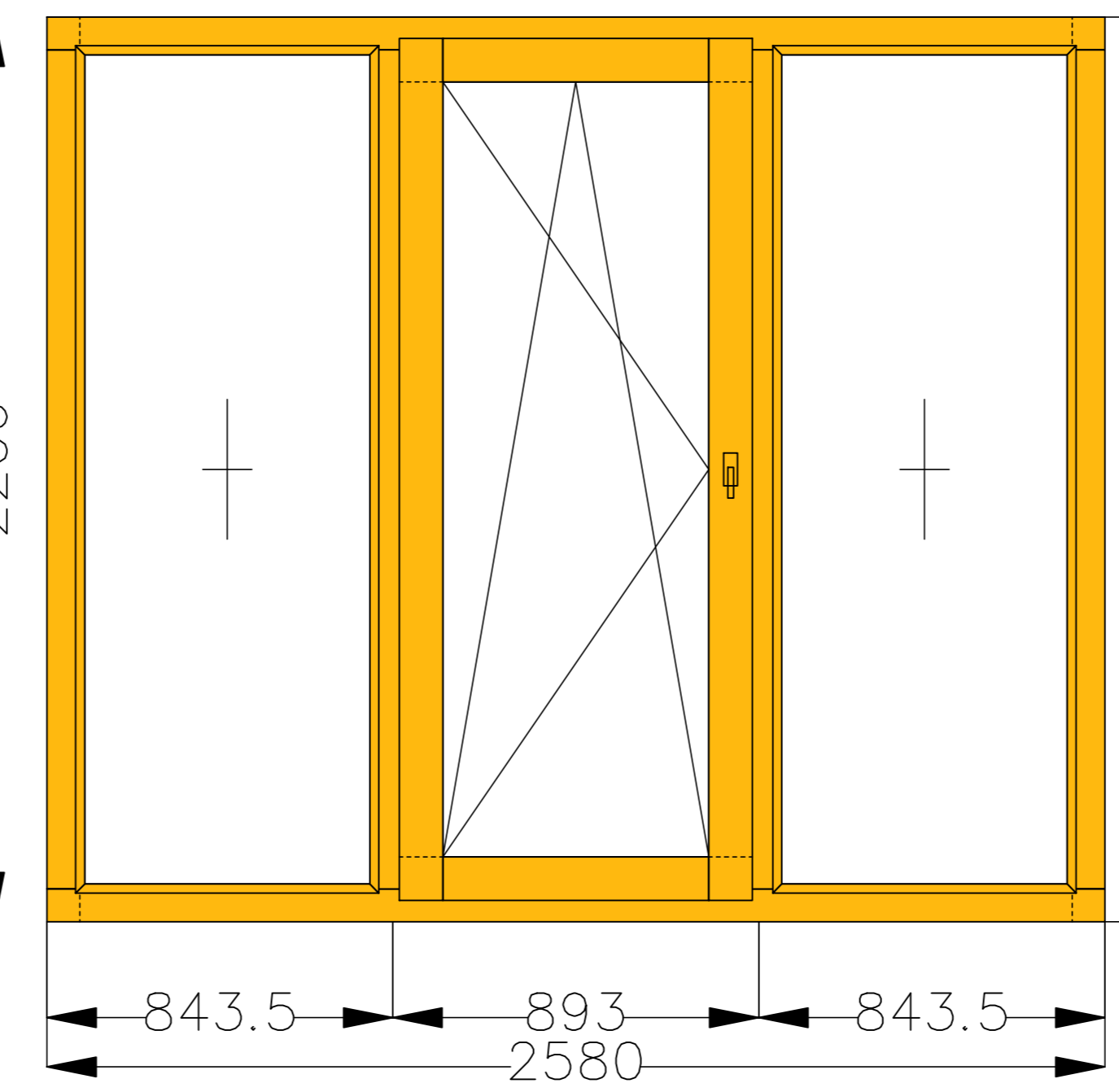
D209



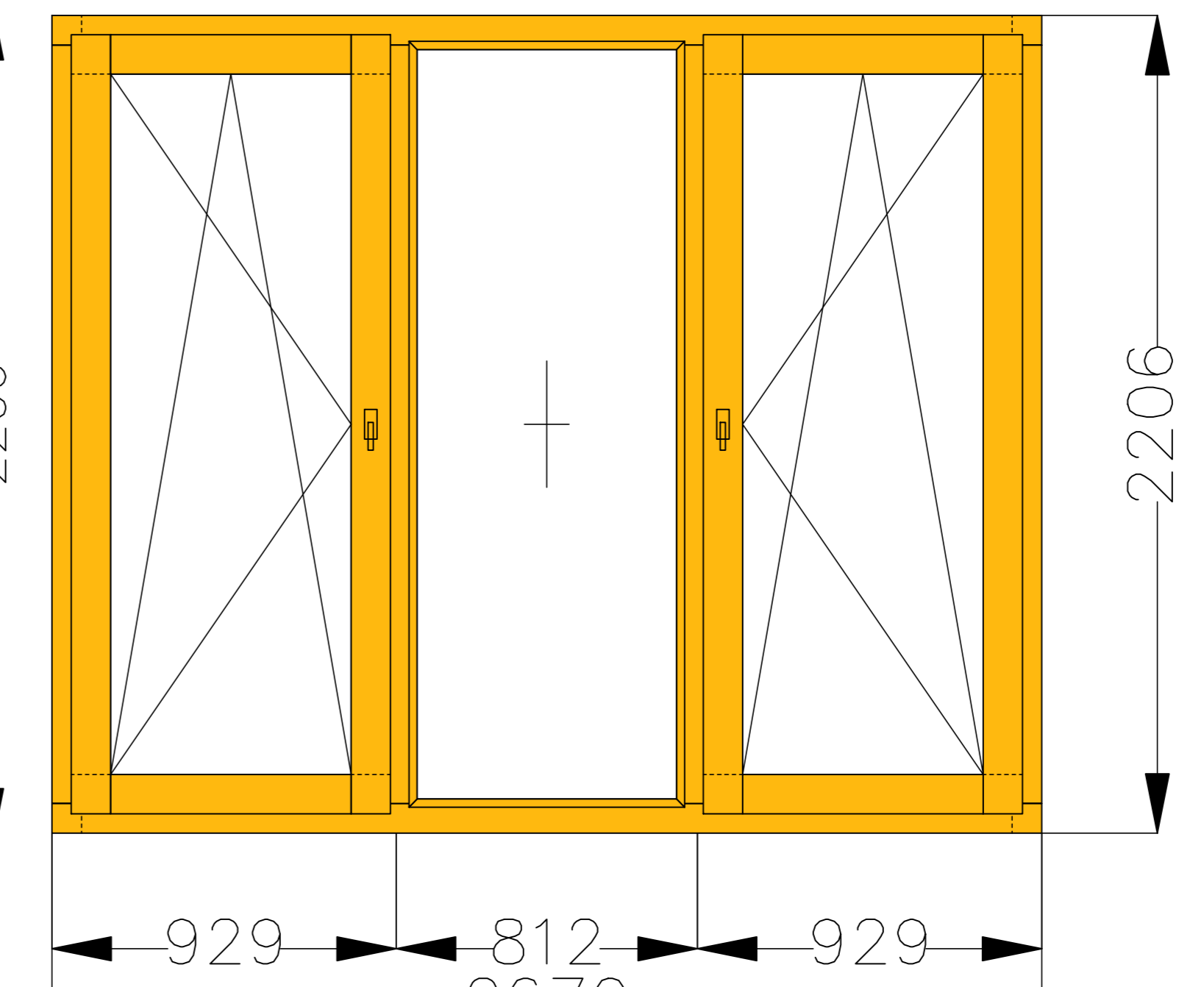
D210



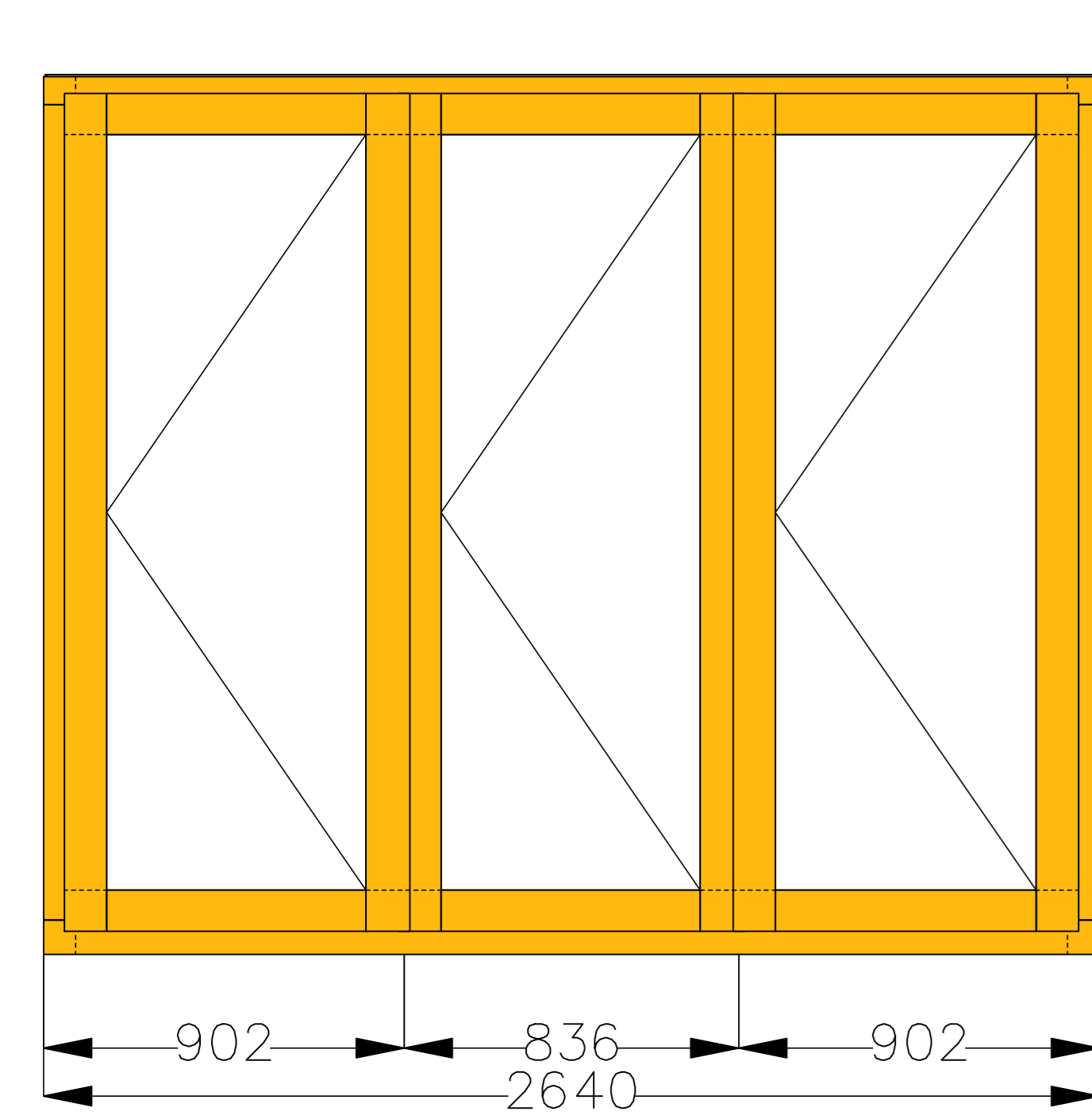
D211



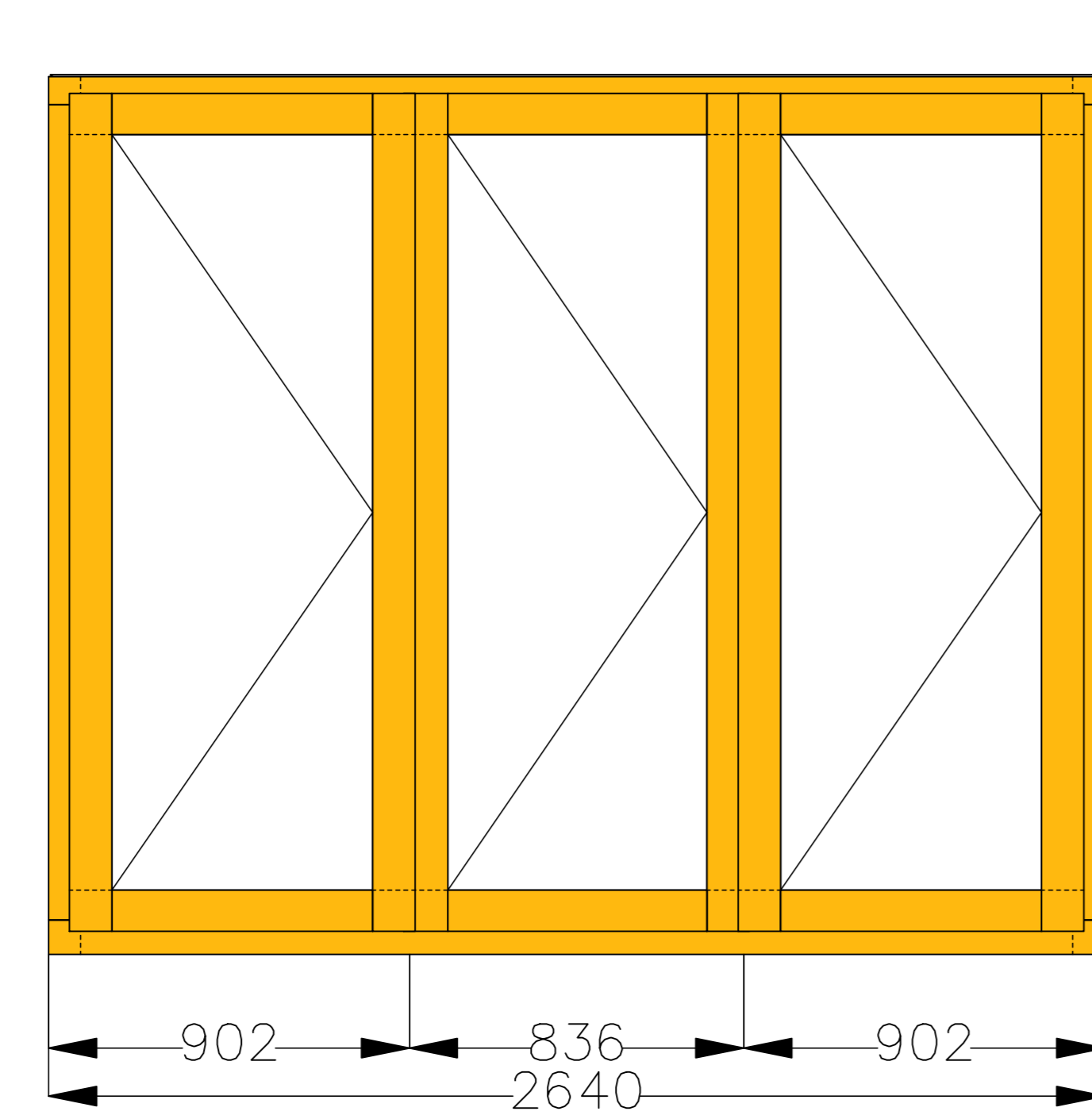
D212



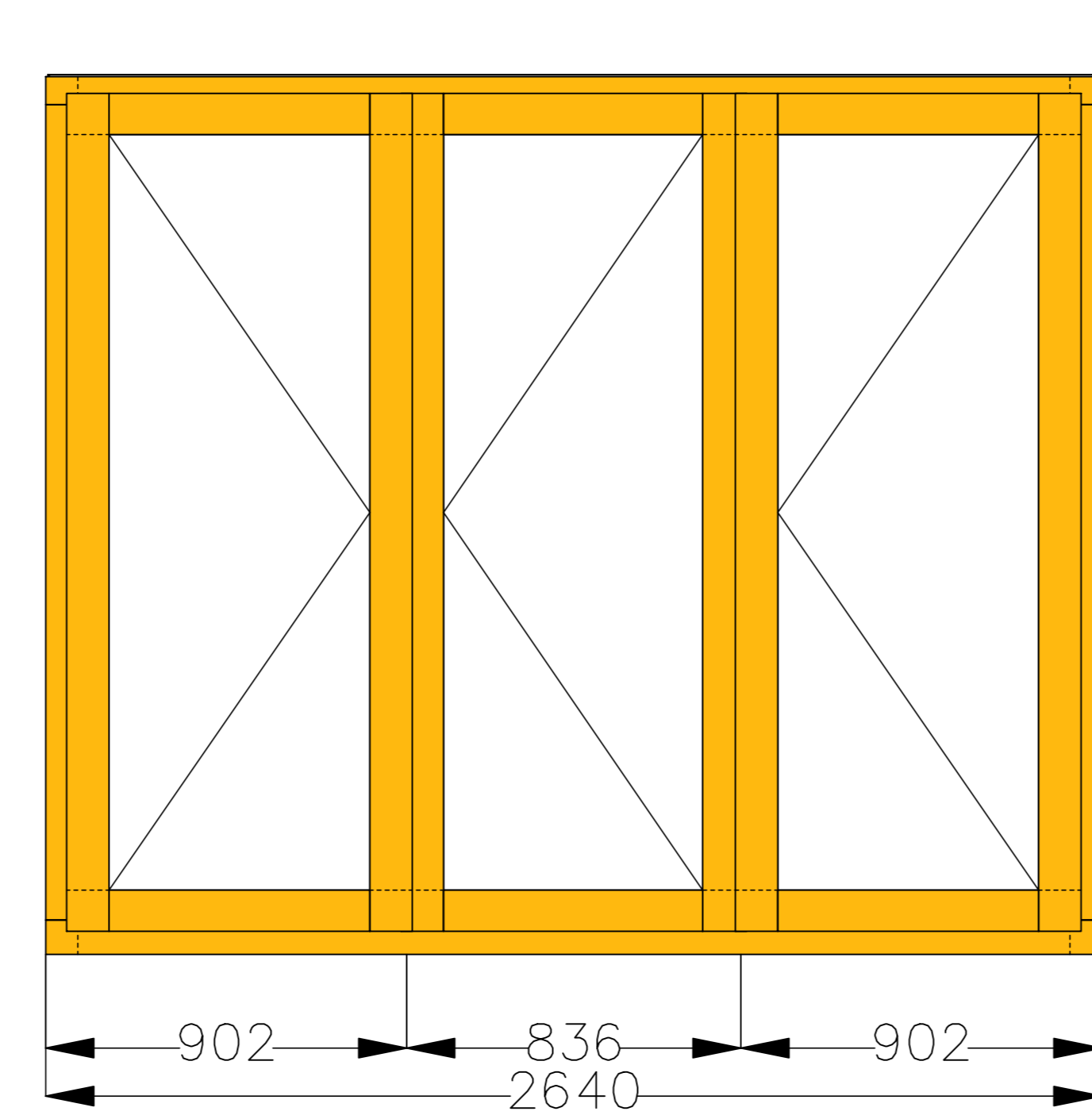
D551



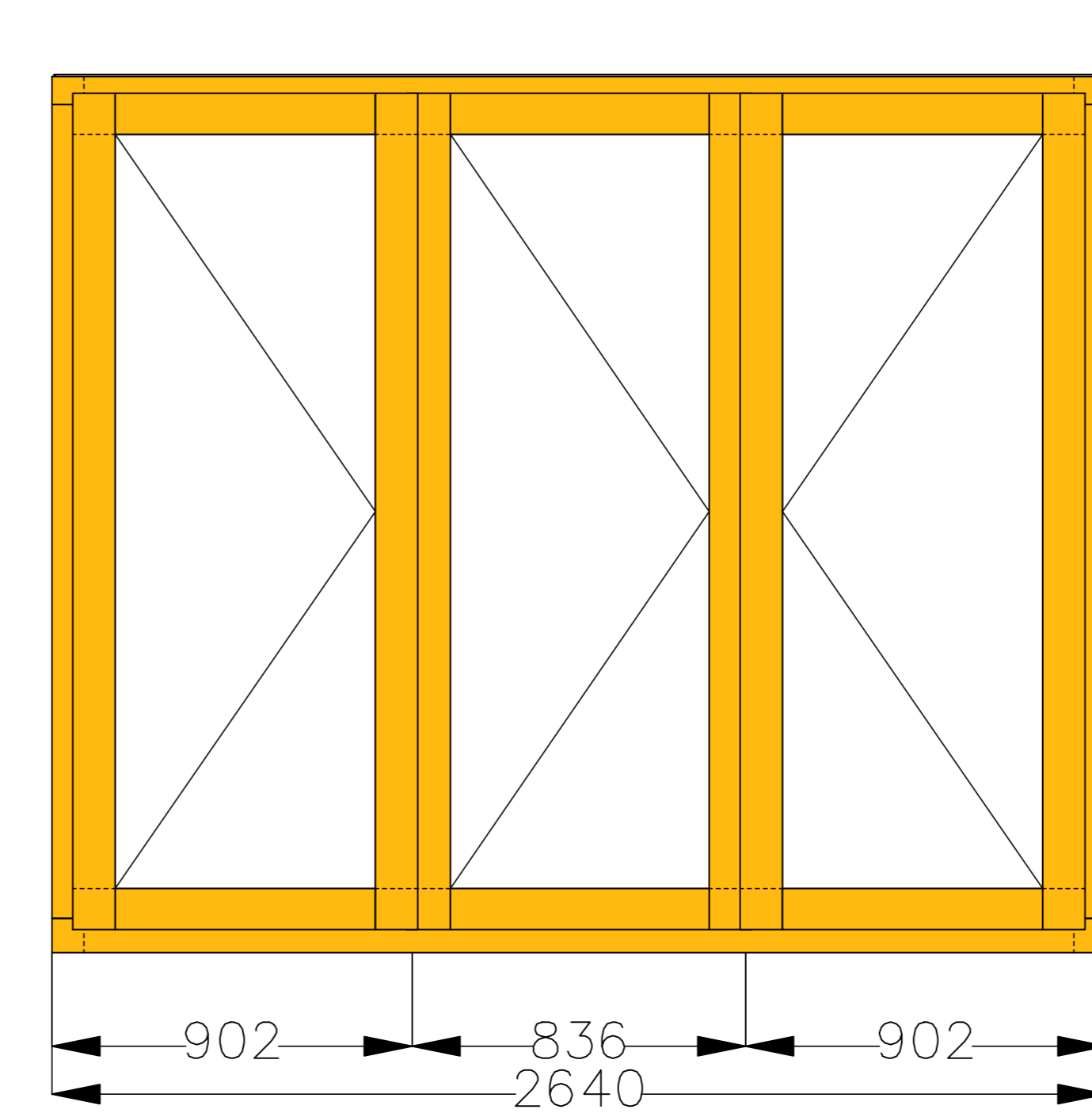
D552



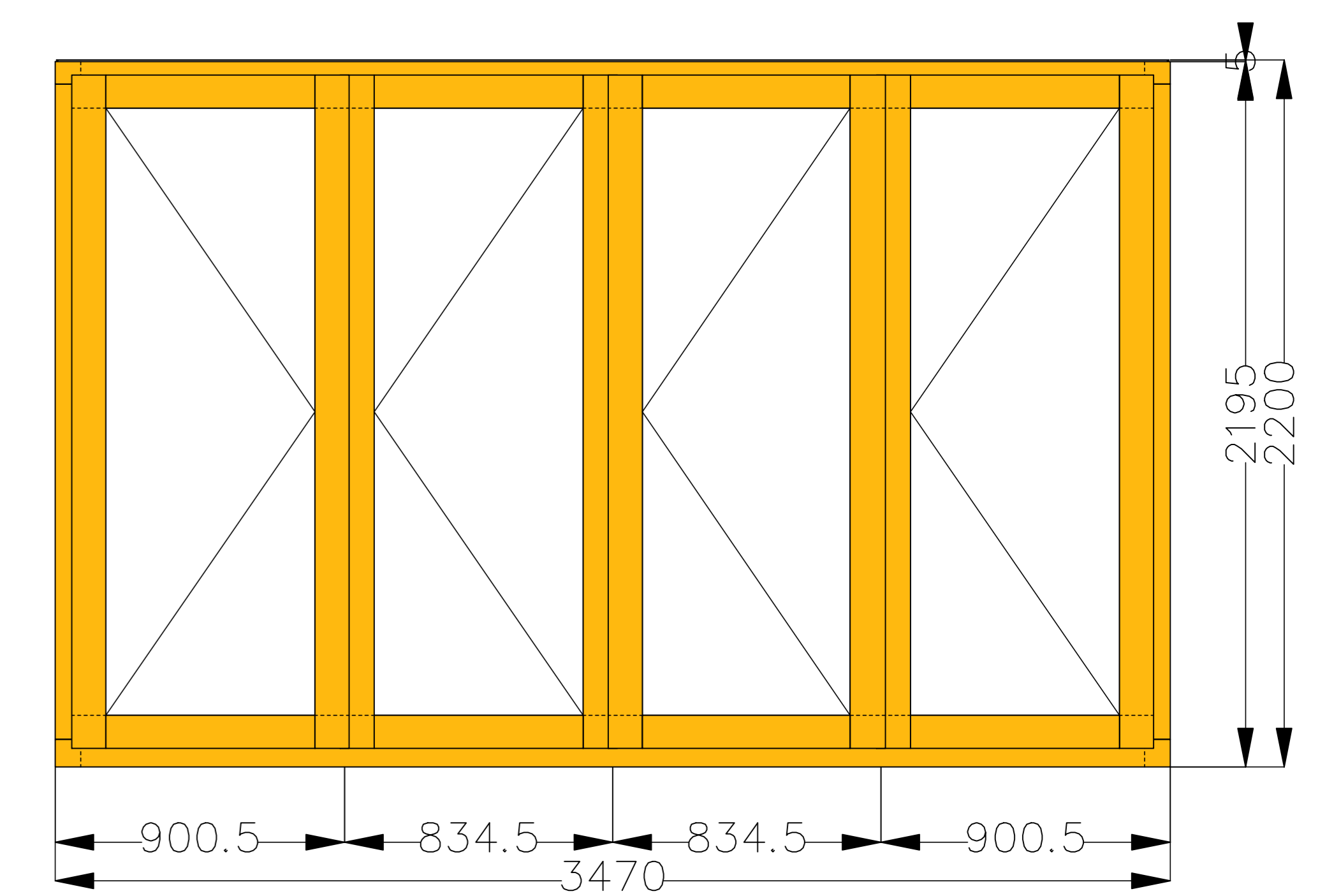
D553



D554

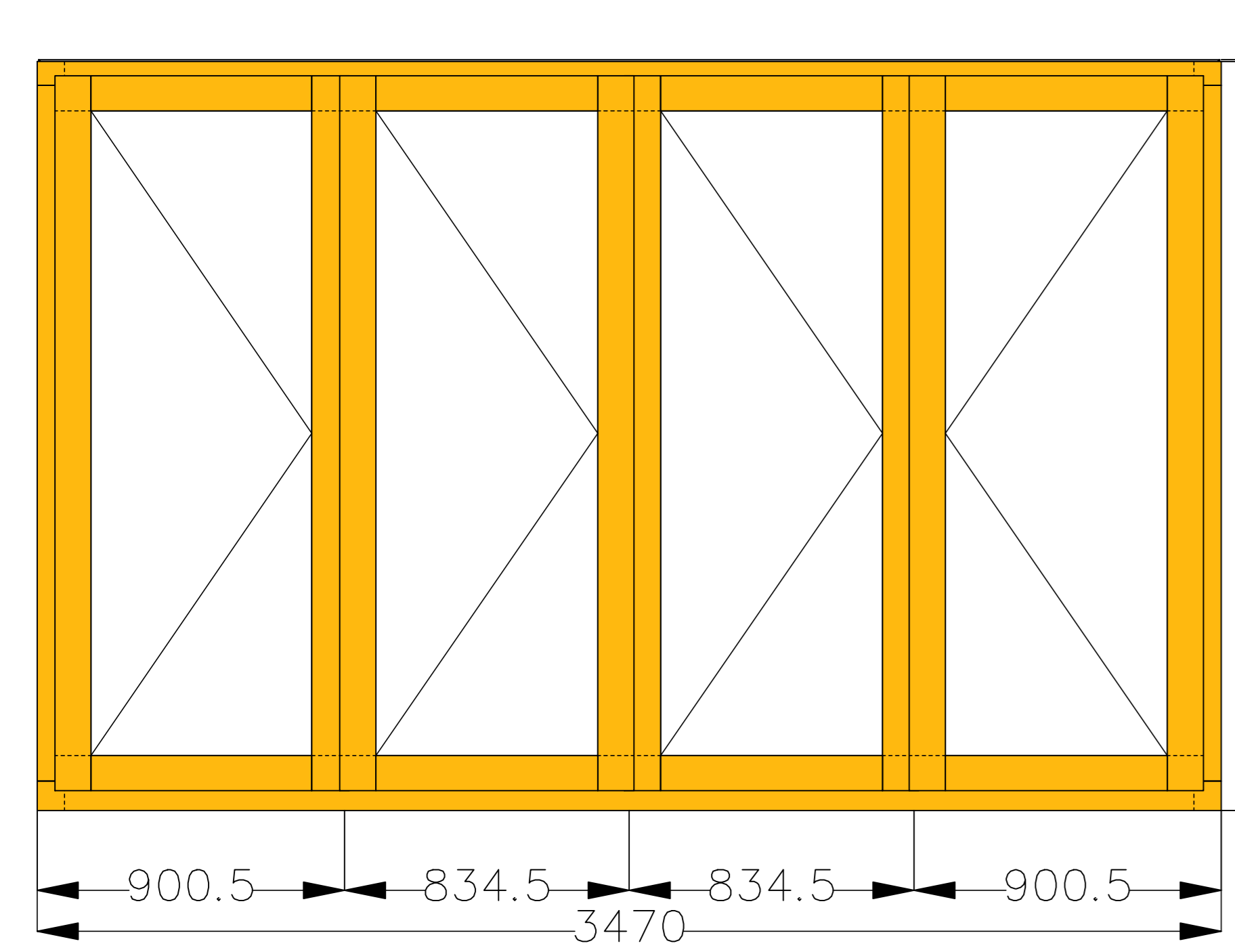


D555

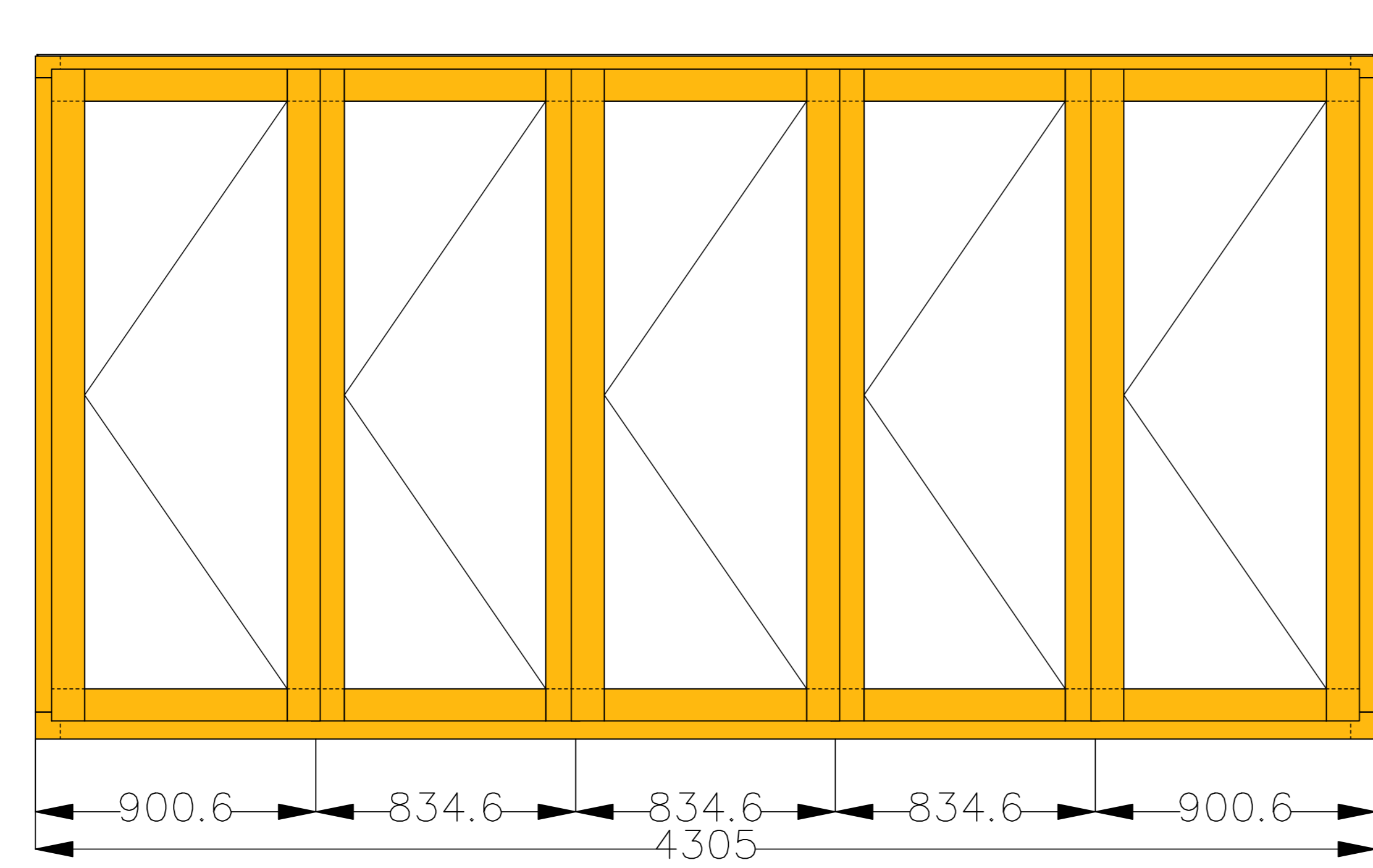


BIFOLD DOORS INWARDS

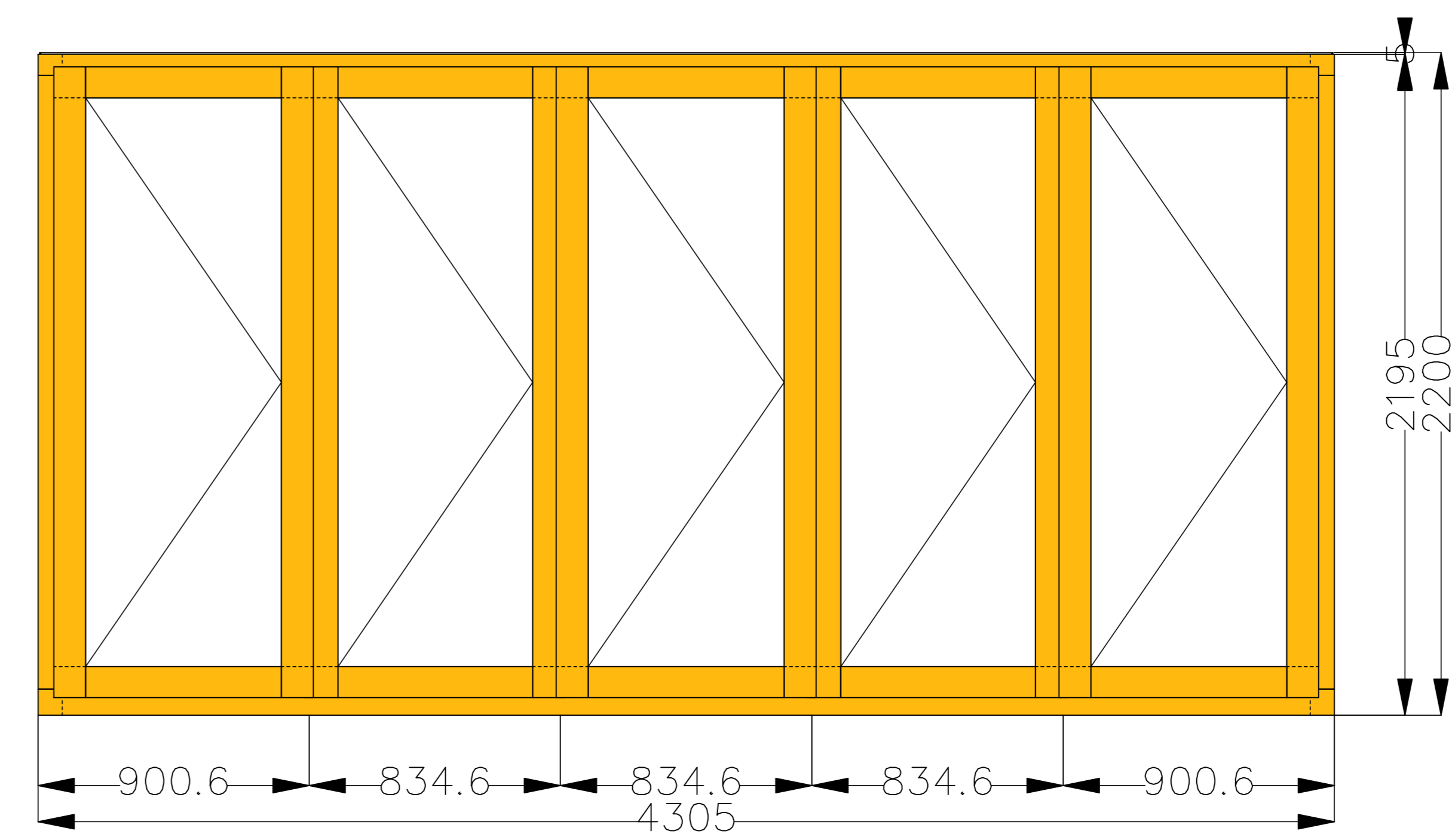
D556



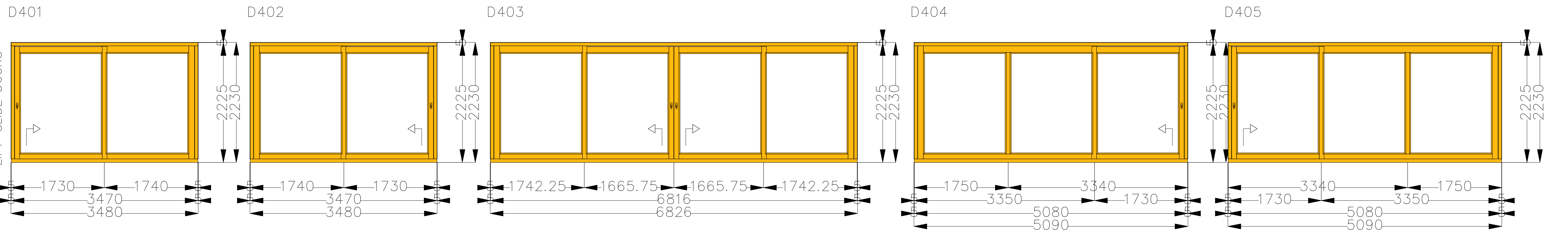
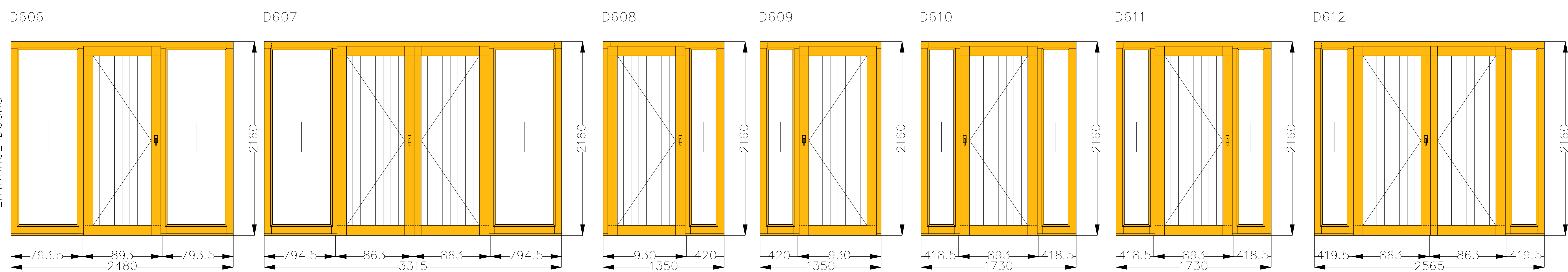
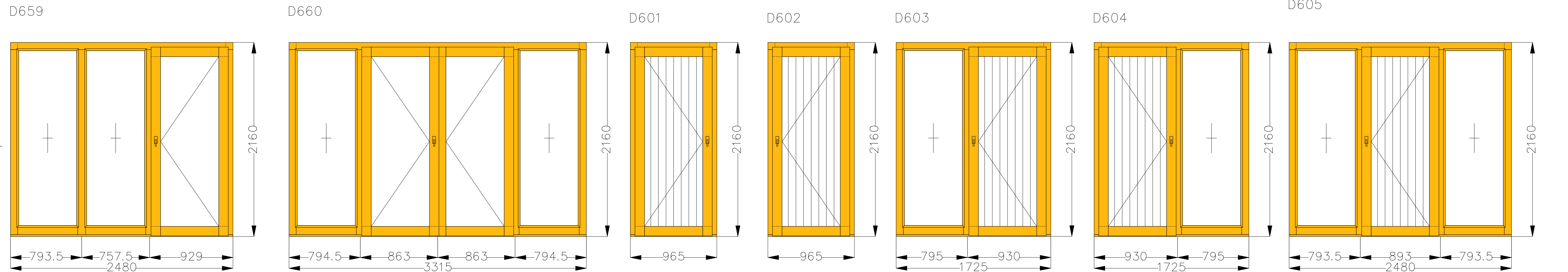
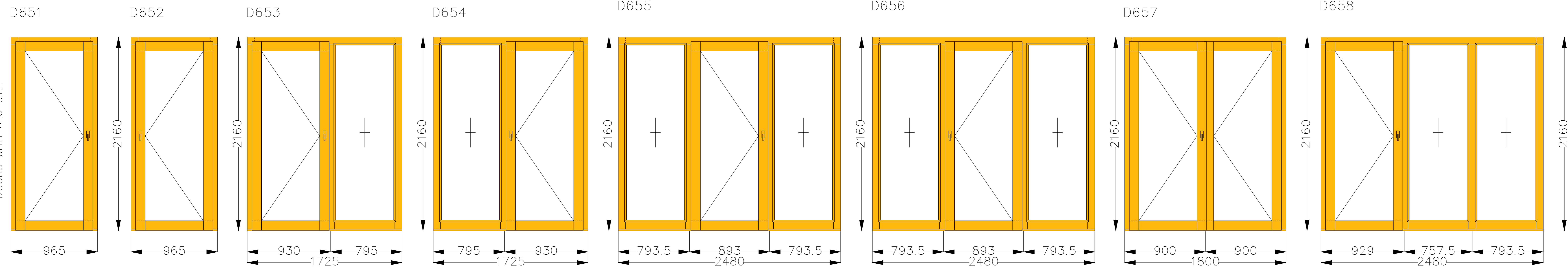
D557



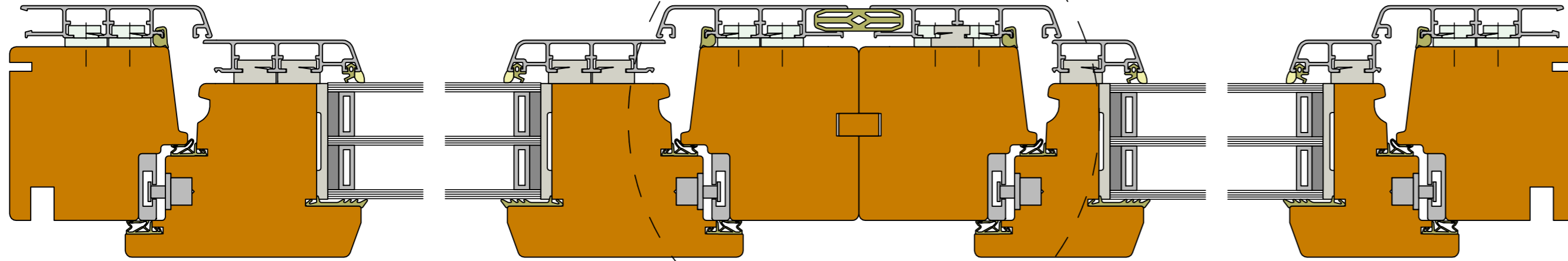
D558



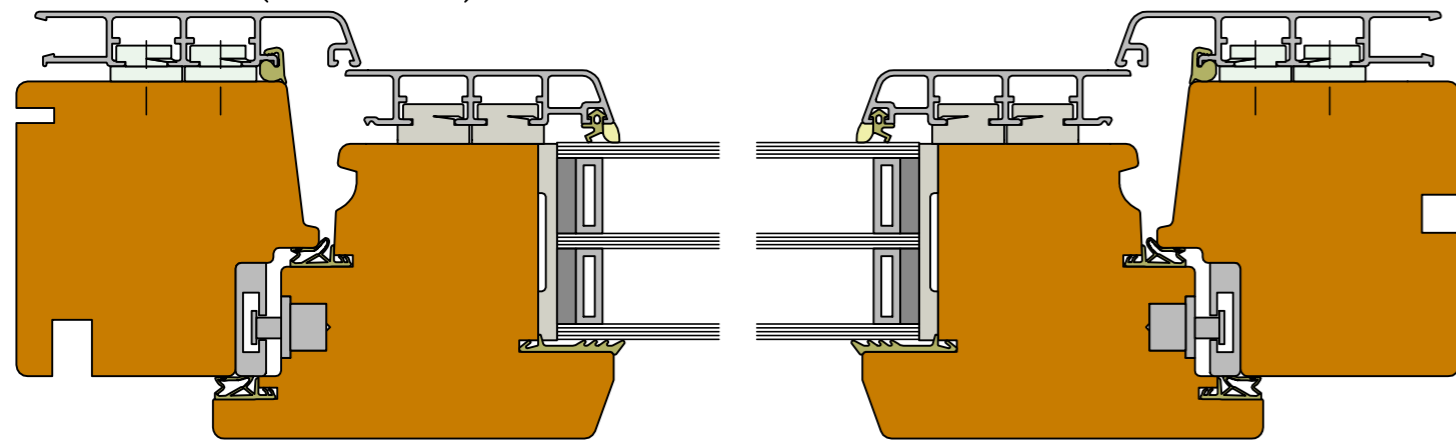
BIFOLD DOORS INWARDS



Section H2 (scale 1:2)

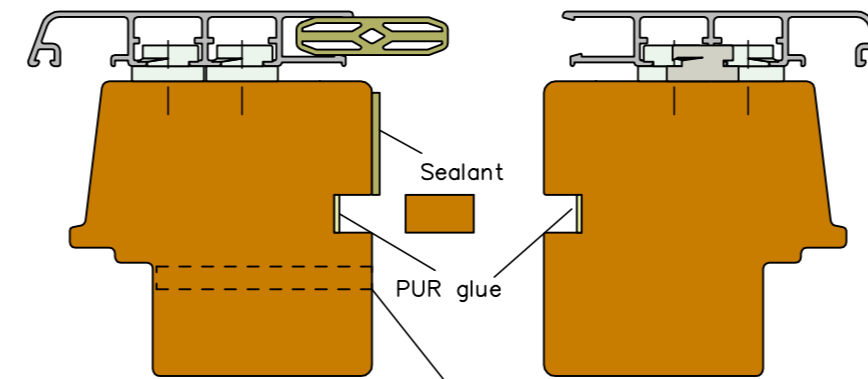


Section H1 (scale 1:2)



STEP 1

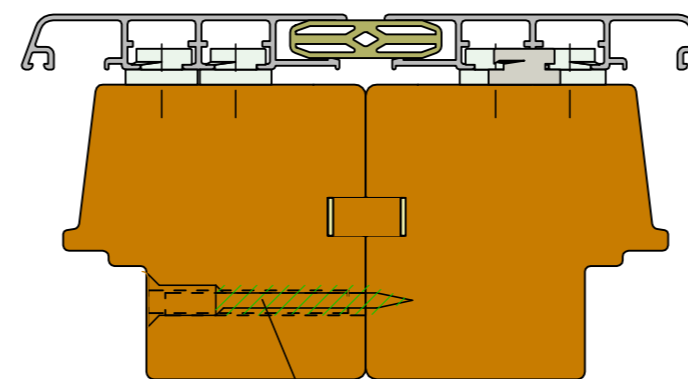
- Apply foam (PUR) glue into both grooves
- Push supplied timber bead into one groove
- Apply flexible sealant to one side of the joint on the outside
- Push supplied rubber seal (40x10) into Aluminium groove



Pre drill every 300mm, 120mm from corners

STEP 2

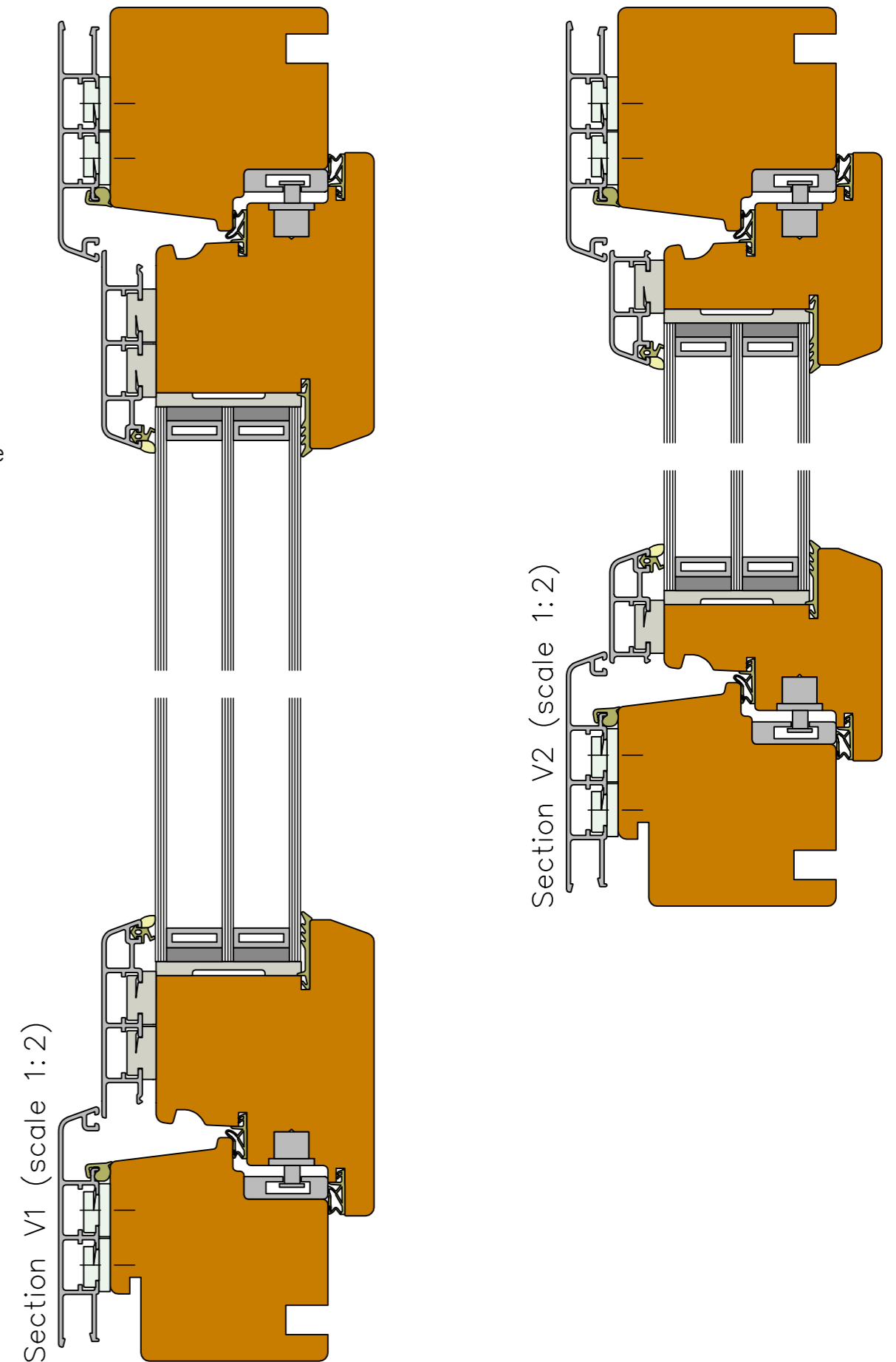
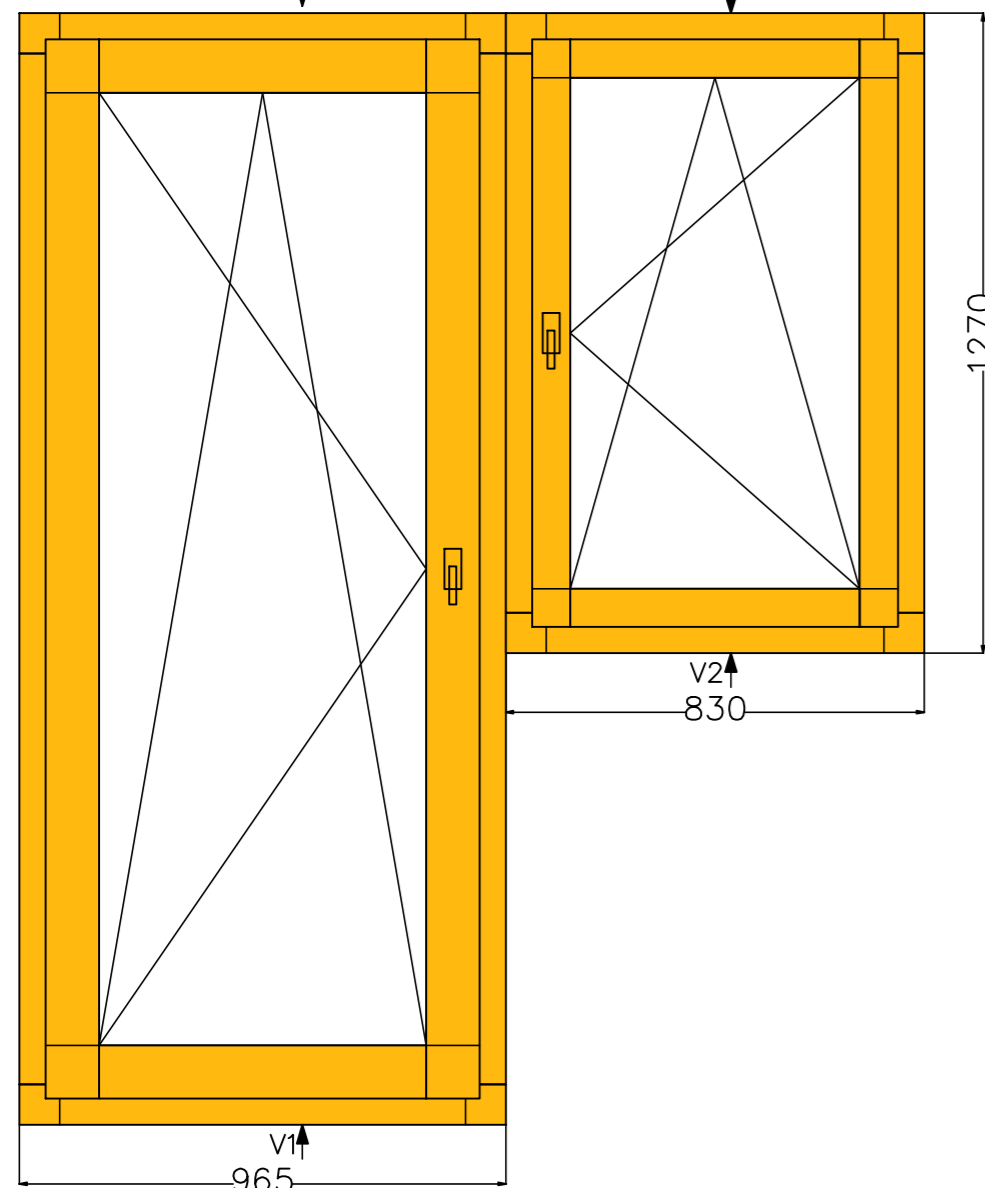
- Push the 2 units together
- Connect units with screw



Screw

D201  
V1↓

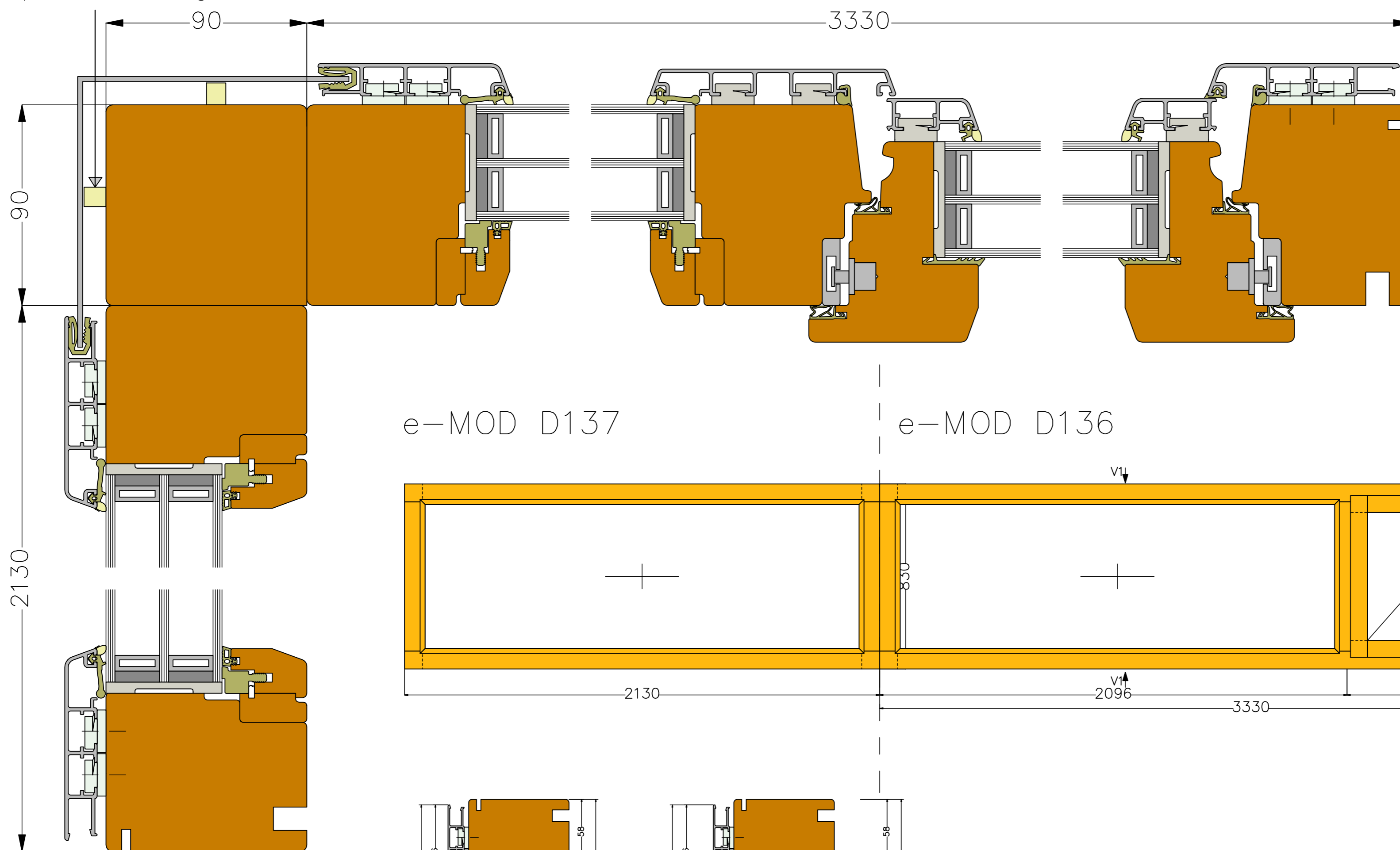
D102  
V2↓



Please note:  
Some units have to be connected on site due to weight or shape reasons.

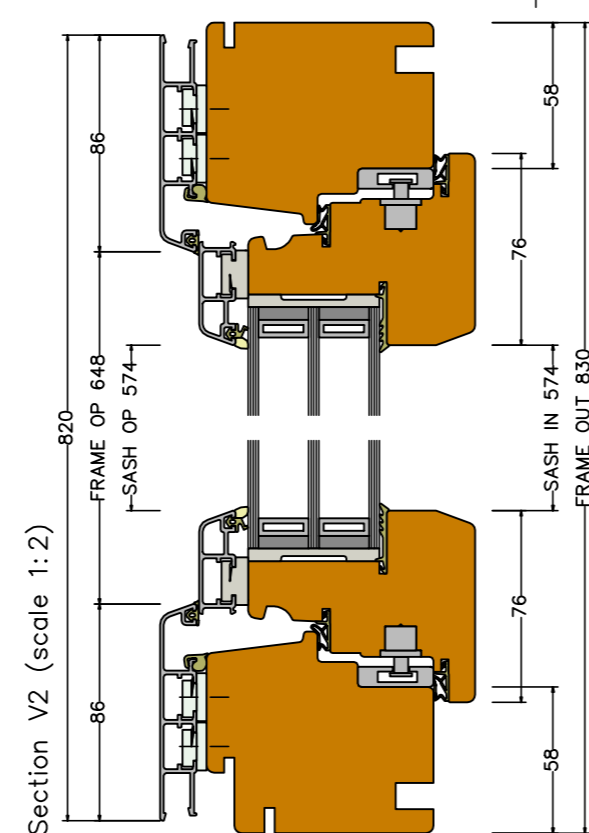
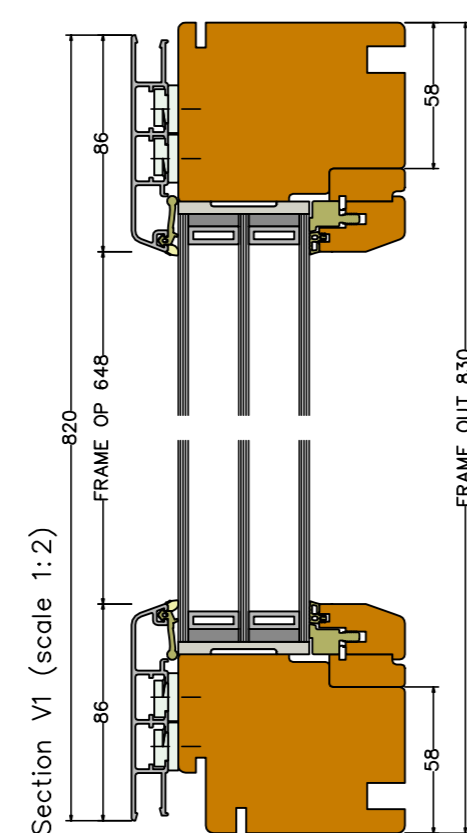
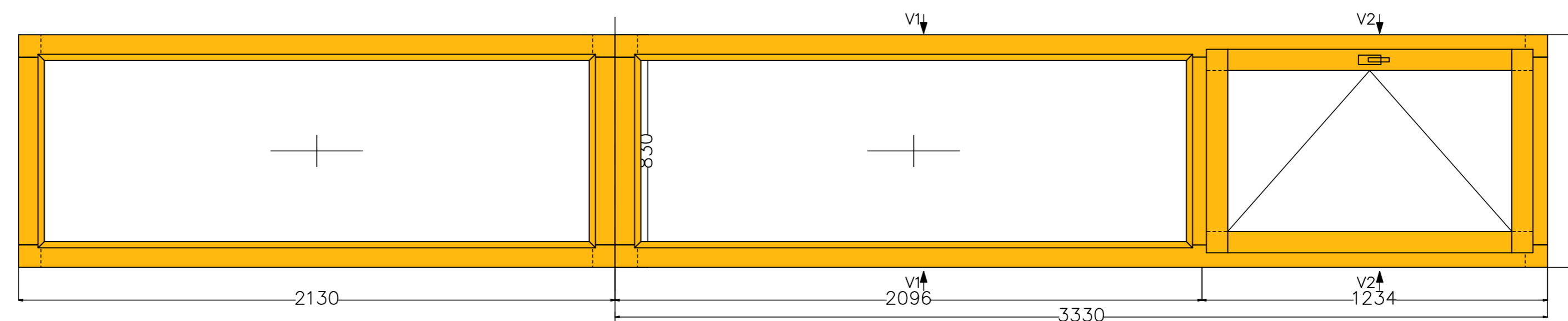
ThermaDura e-MOD Thermally Efficient Window/Door Modules	drawn	Date	Name
		12.08.2015	Rampe
Description: DesignLine90 D010 e-MOD element connection			
<b>ThermaDura</b>	These drawings are protected by copyright and only to be used in conjunction with the supply of ThermaDura products. This drawing is an instrument of service and is provided for informational use only. © 2019 ThermaDura Ltd		

Apply adhesive to prevent sliding down




e-MOD D137

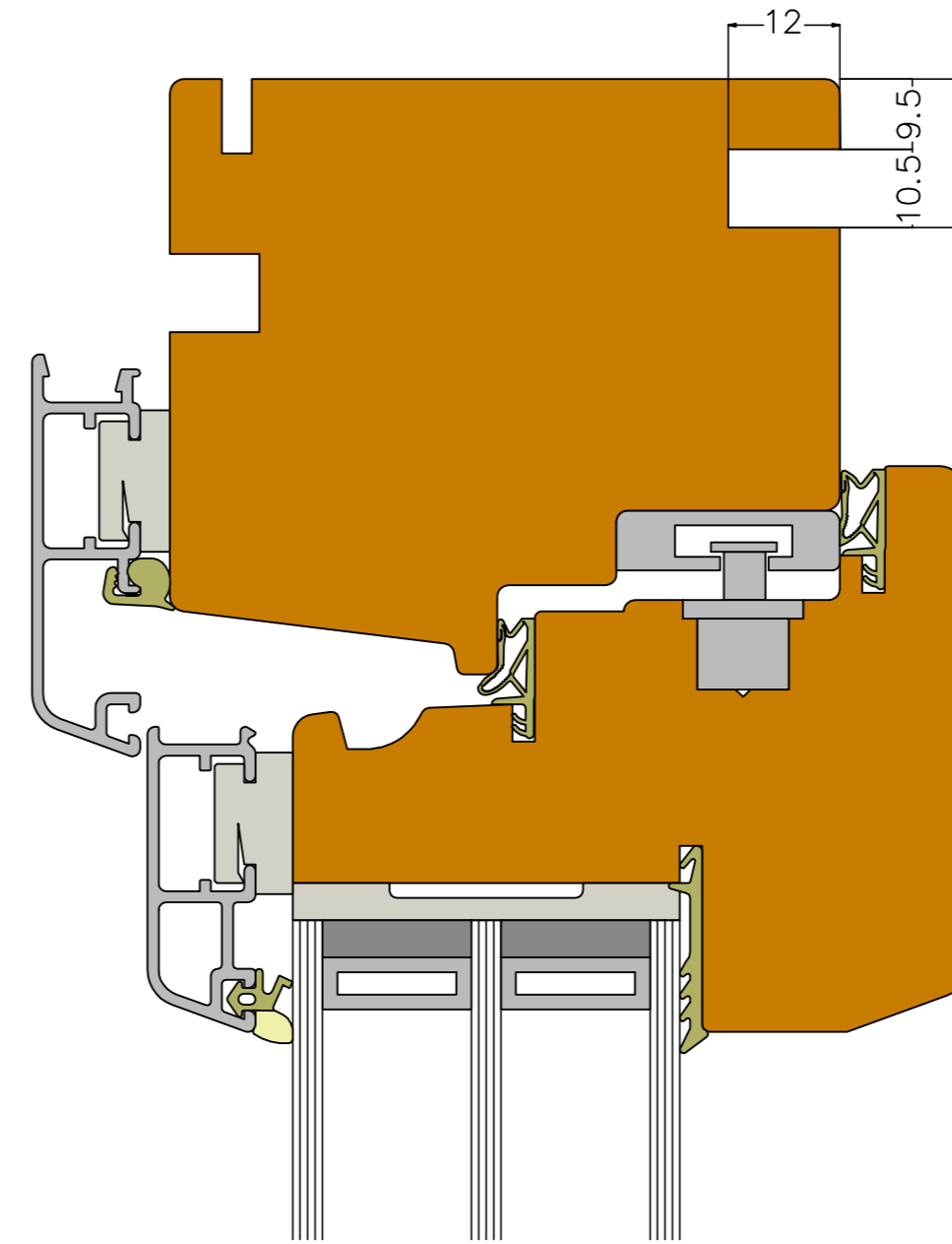
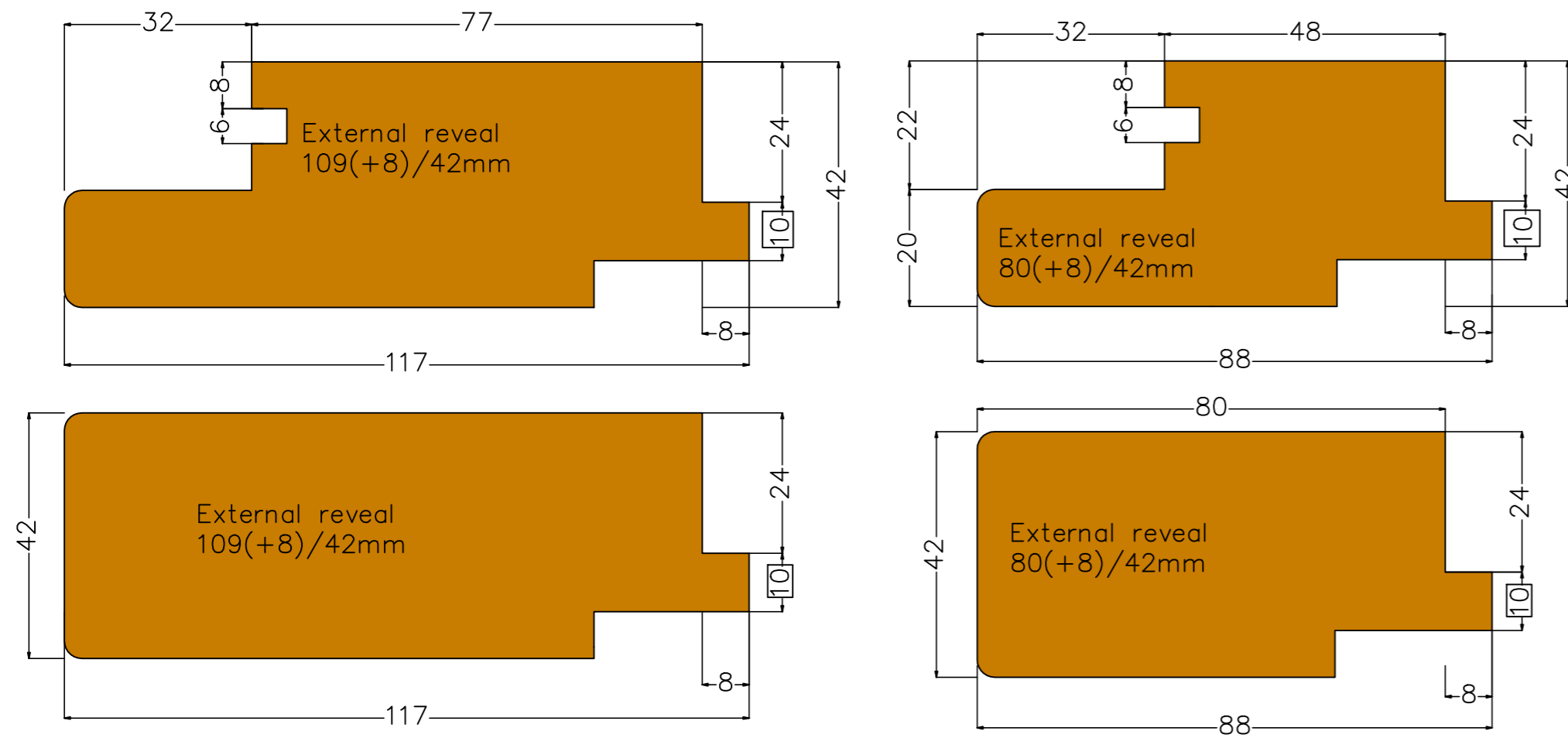
e-MOD D136



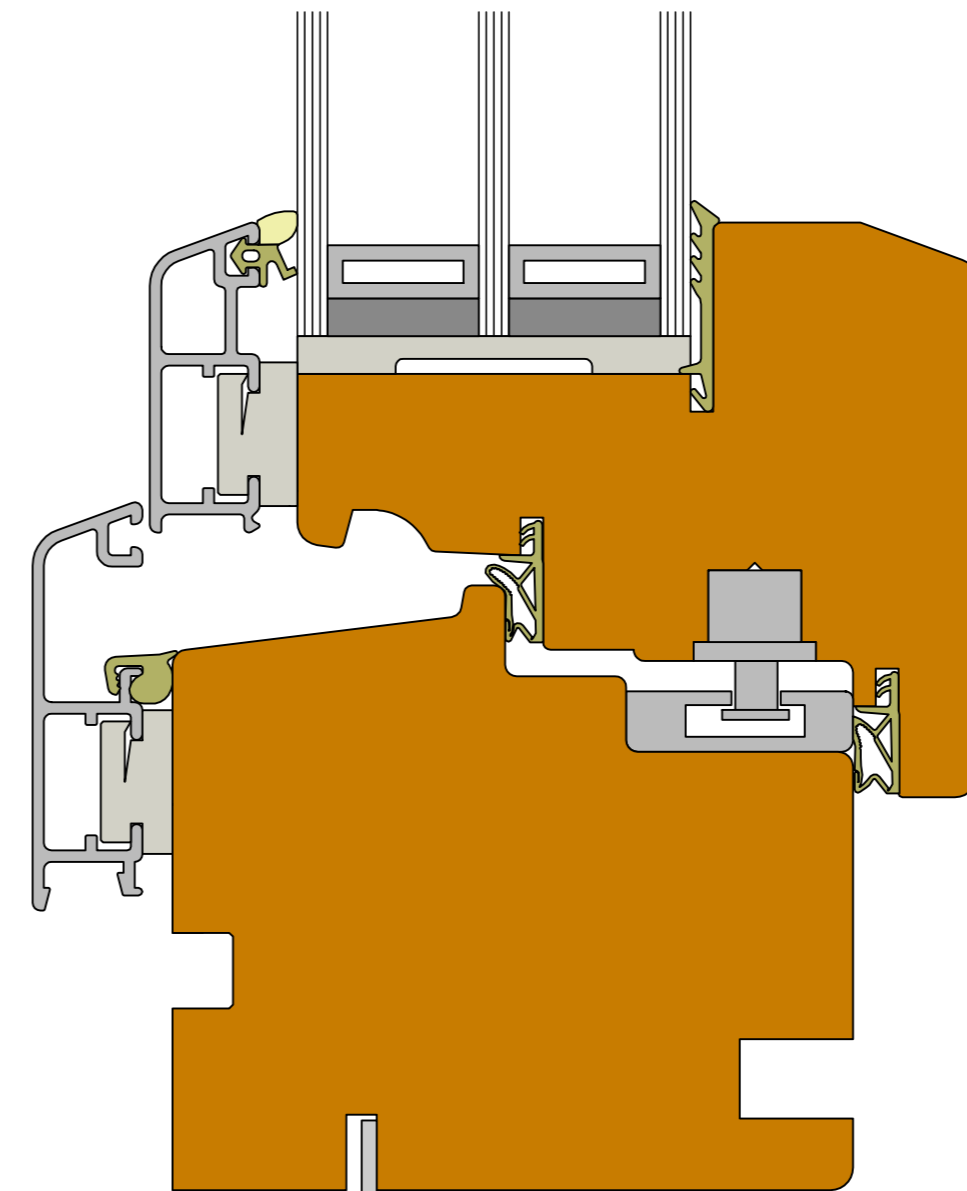
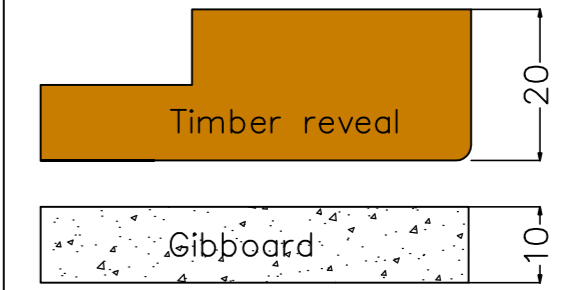
Please note:  
Some units have to be connected on site due to weight or shape reasons.

ThermaDura e-MOD Thermally Efficient Window/Door Modules	drawn 12.08.2015	Date 12.08.2015	Name Rampe
Description: DesignLine90 D-011 e-MOD corner window connection			
 These drawings are protected by copyright and only to be used in conjunction with the supply of ThermaDura products. This drawing is an instrument of service and is provided for informational use only. © 2019 ThermaDura Ltd			

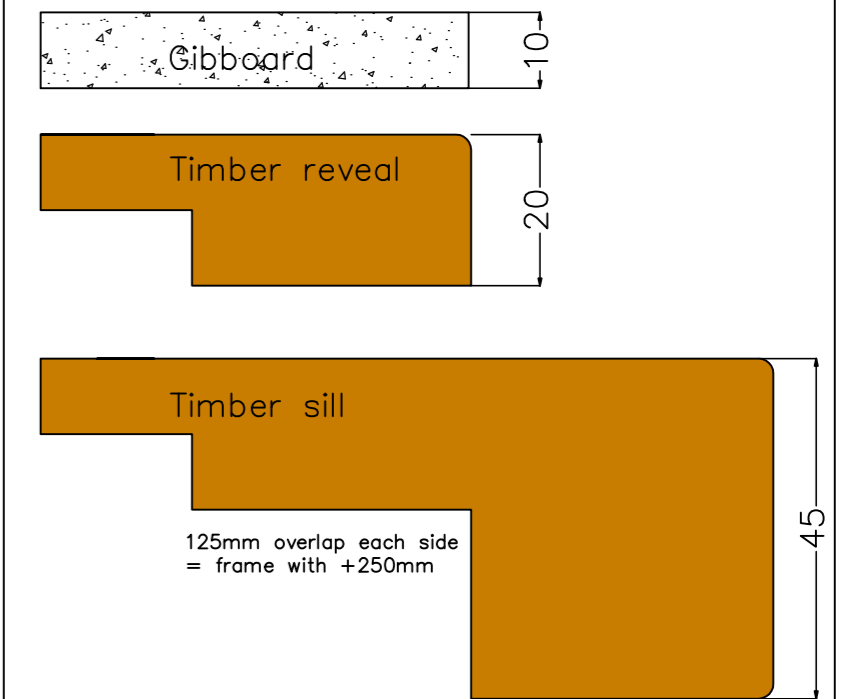
EXTERNAL REVEALS  
For head and jambs



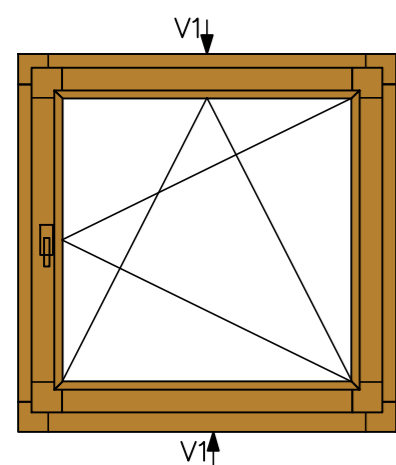
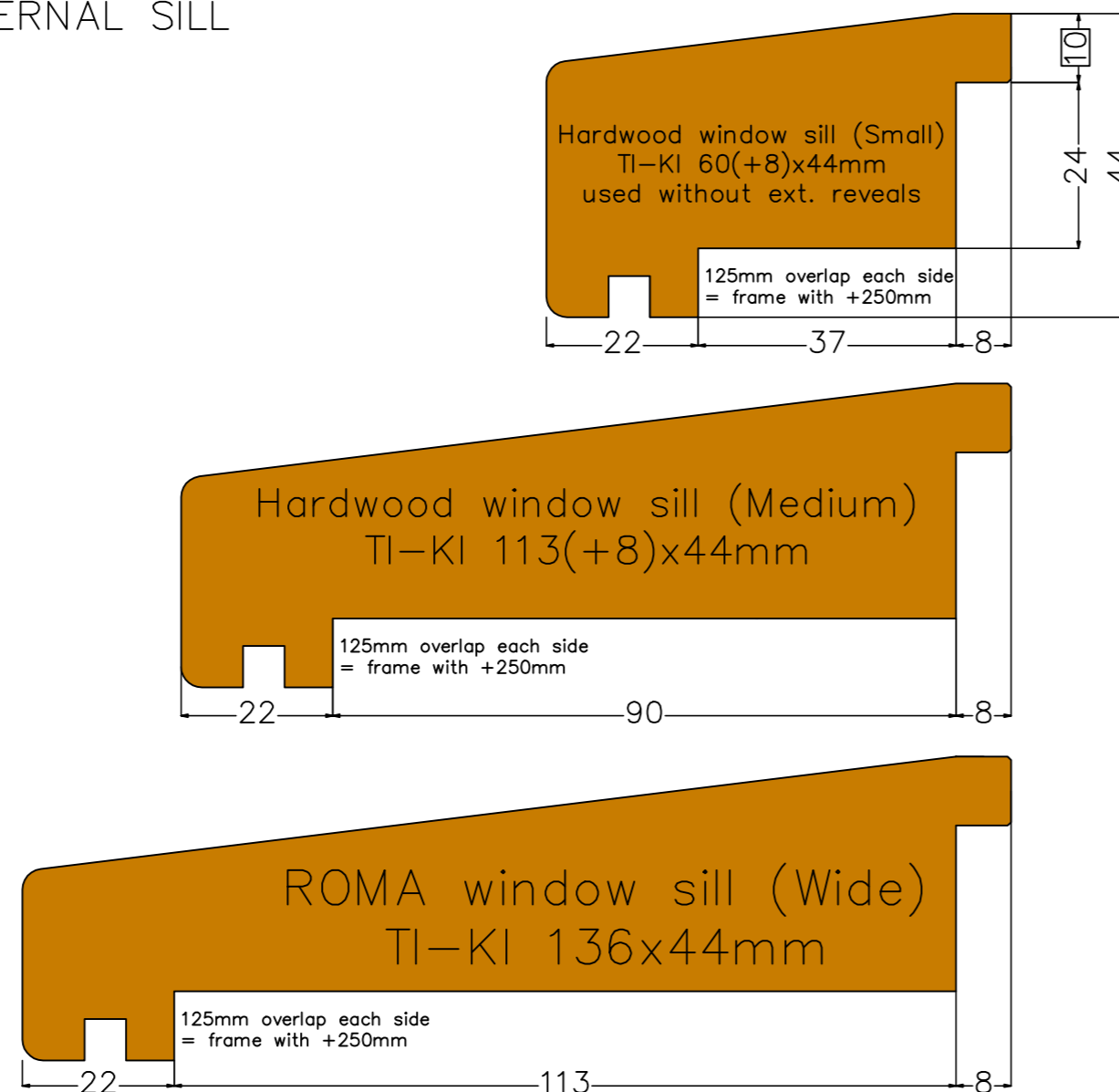
INTERNAL HEAD OPTIONS



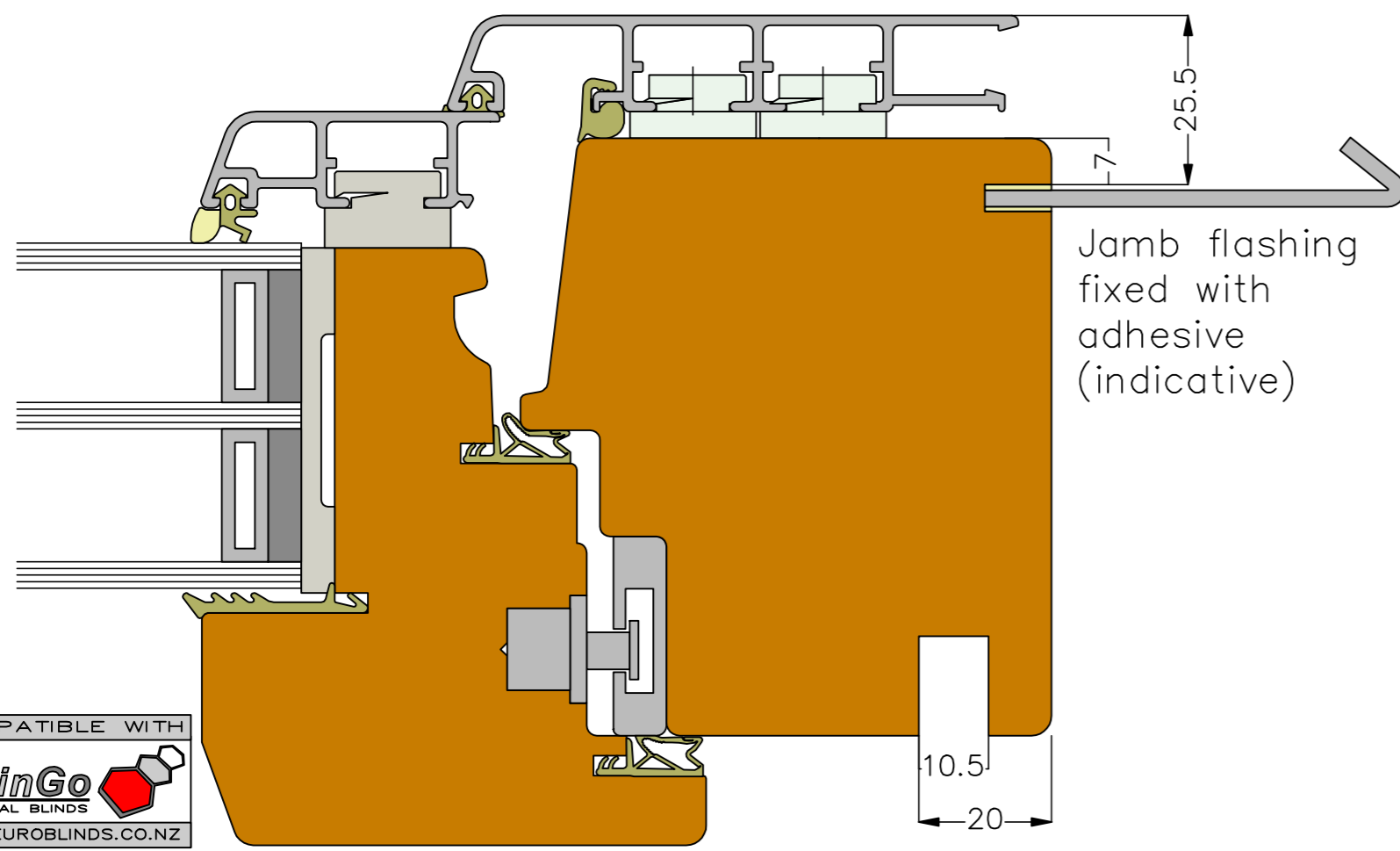
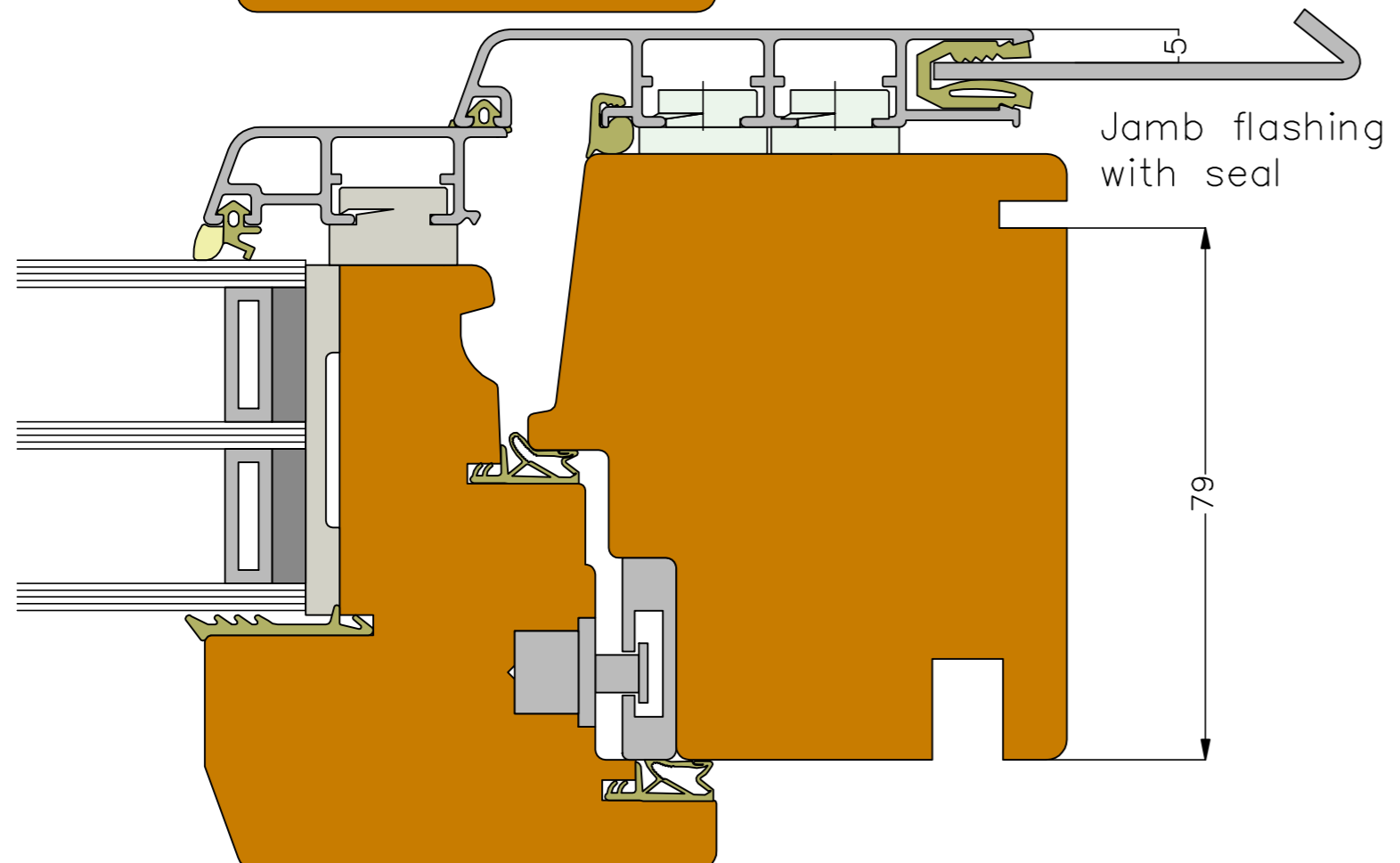
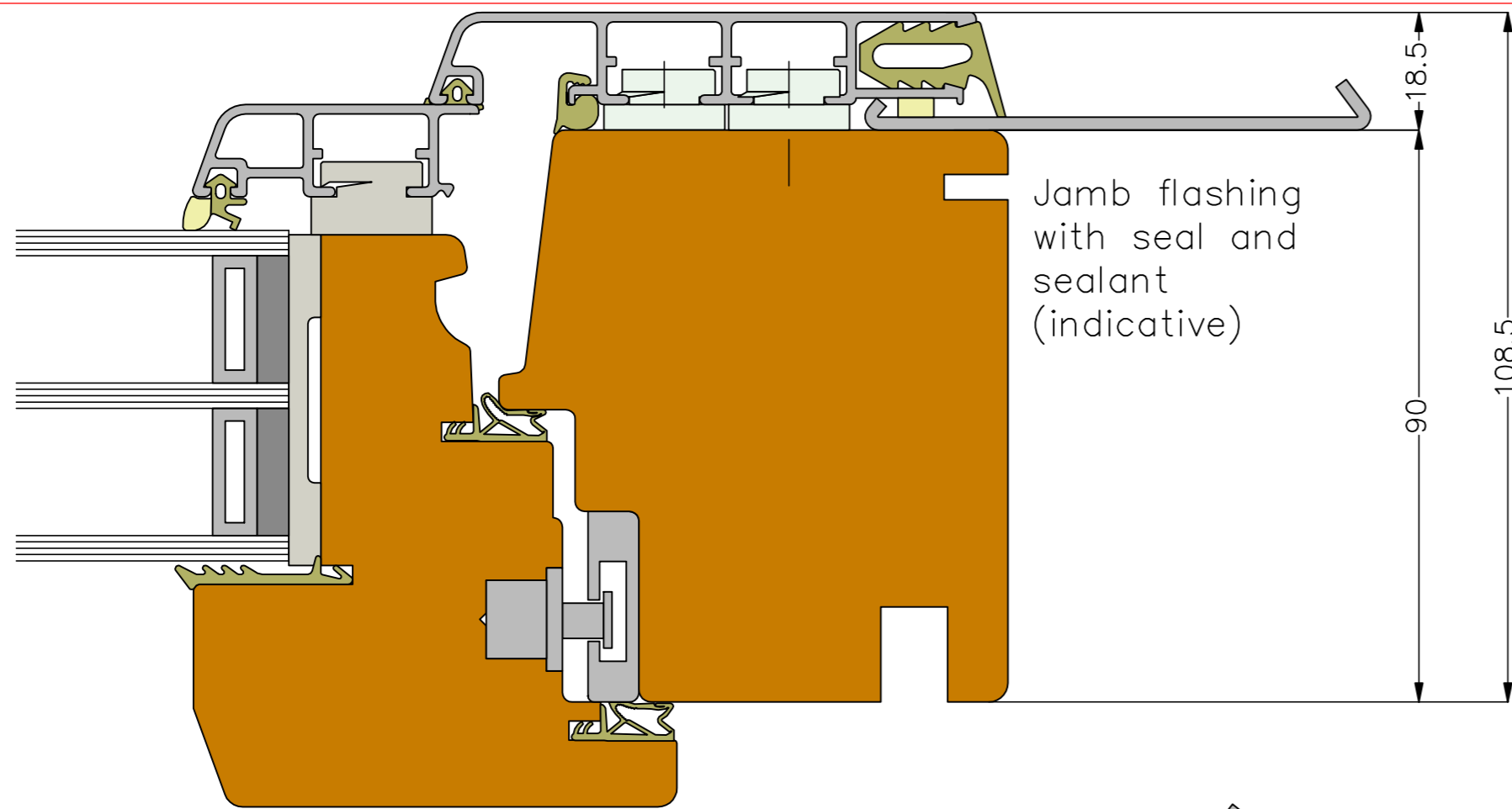
INTERNAL SILL OPTIONS



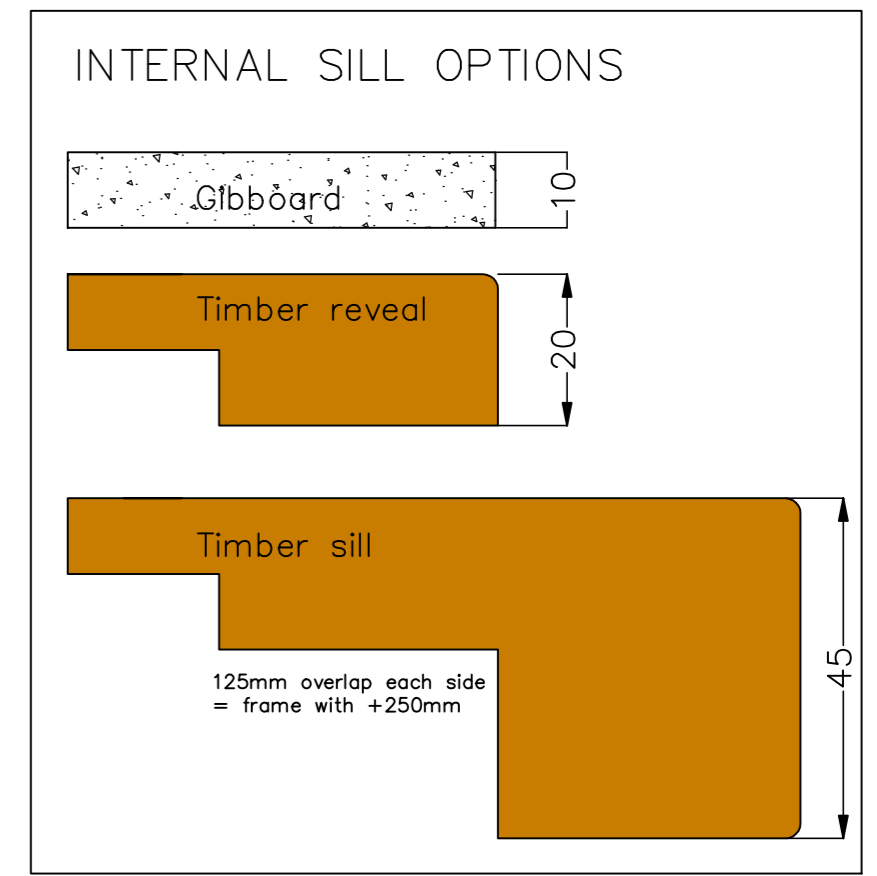
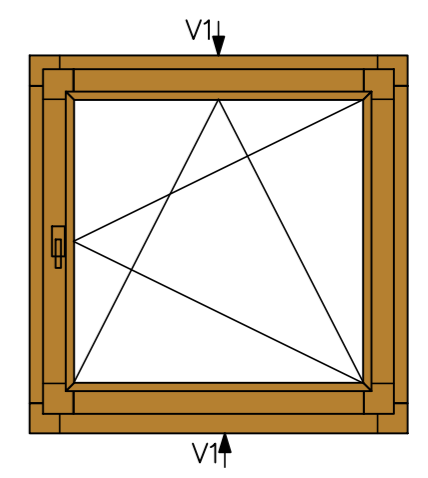
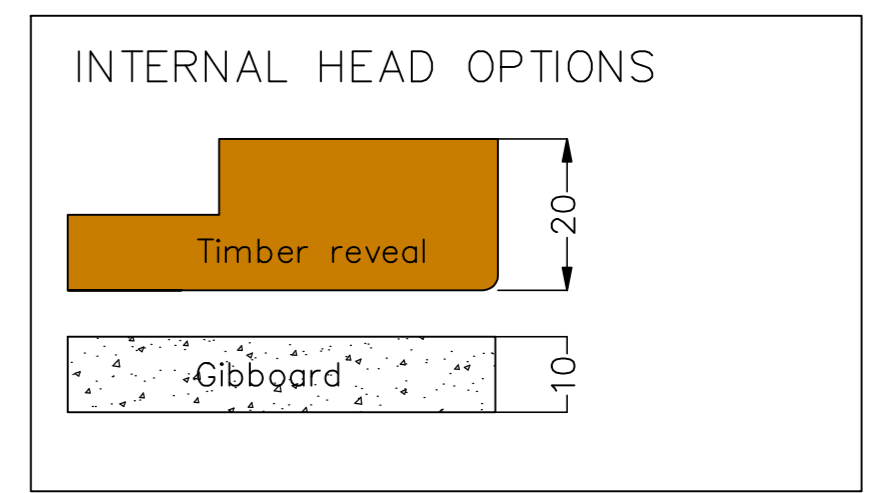
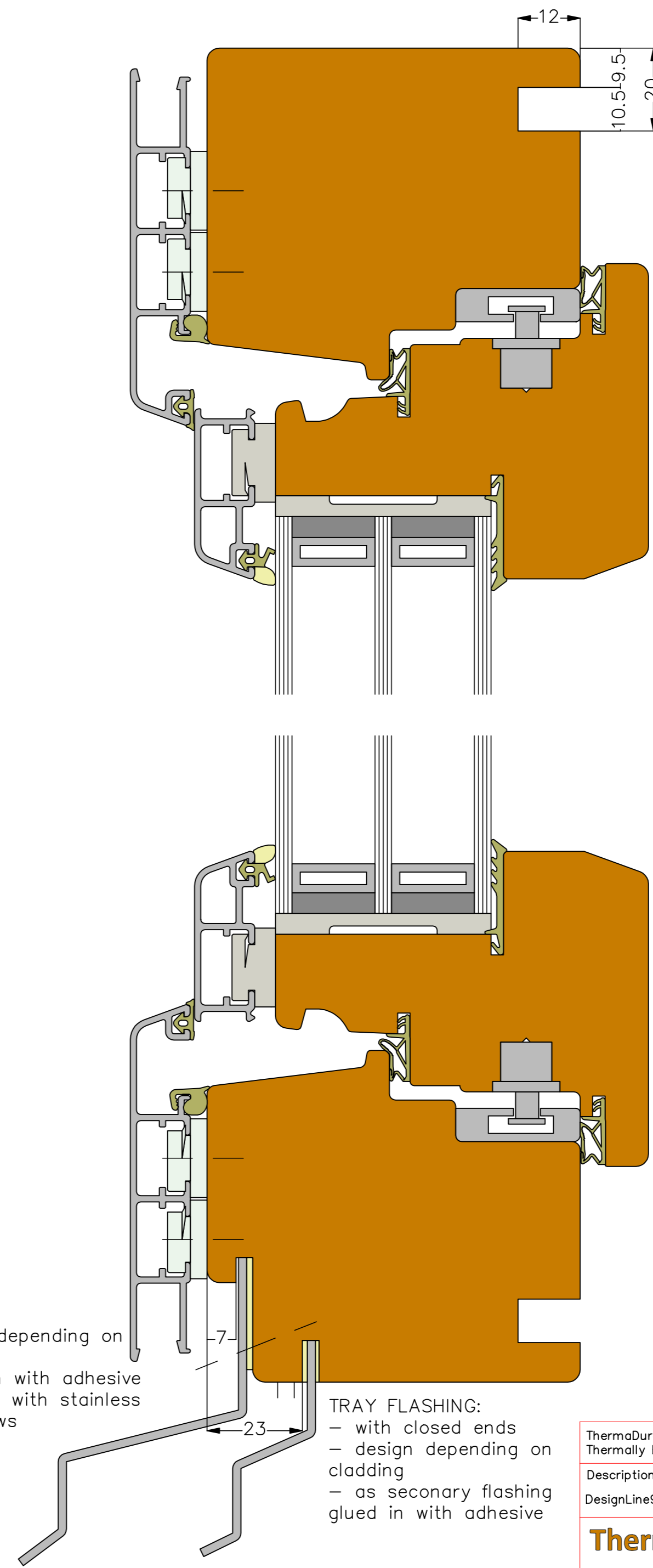
EXTERNAL SILL



ThermaDura e-MOD Thermally Efficient Window/Door Modules	drawn	Date	Name
Description: DesignLine90 D-012 e-MOD accessories		12.08.2015	Rampe
		These drawings are protected by copyright and only to be used in conjunction with the supply of ThermaDura products. This drawing is an instrument of service and is provided for informational use only. © 2019 ThermaDura Ltd	



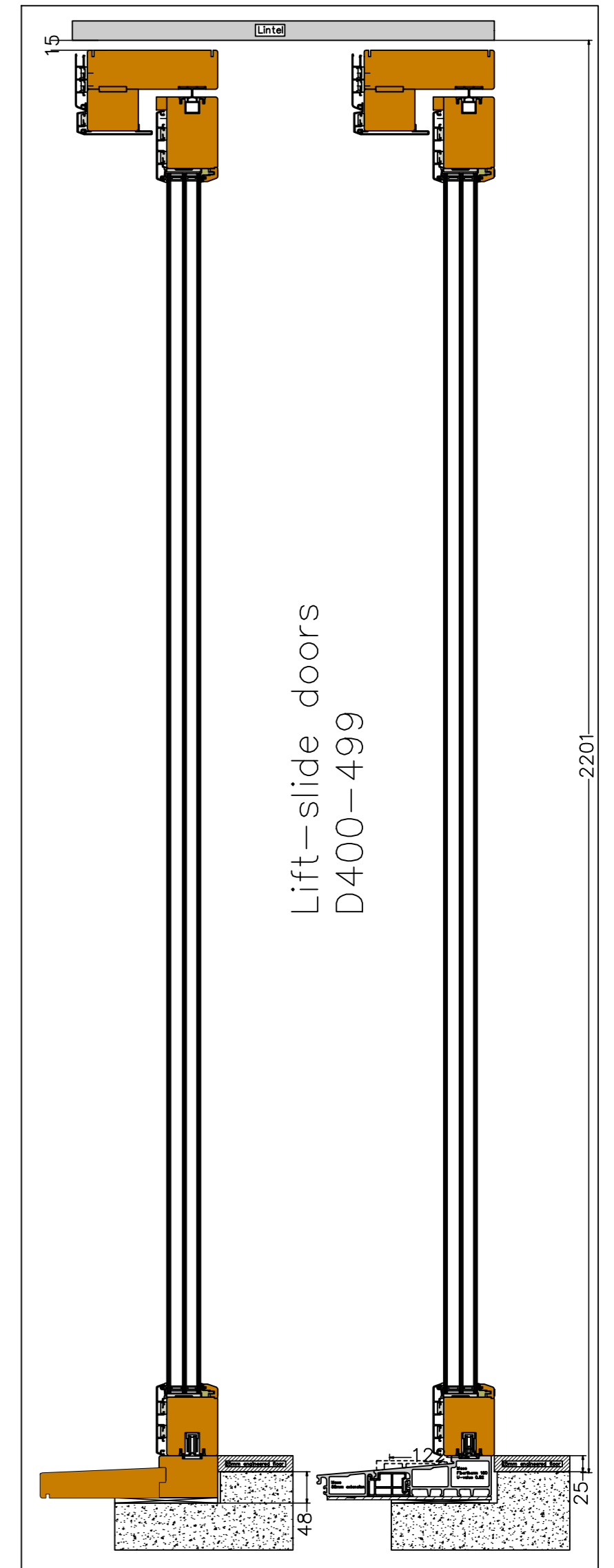
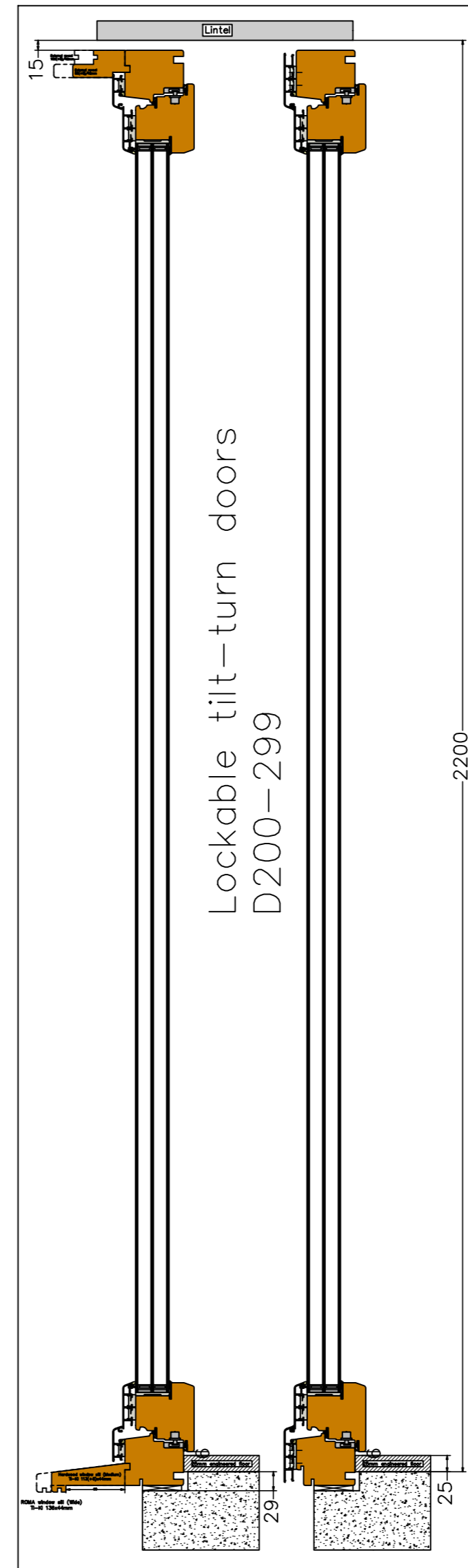
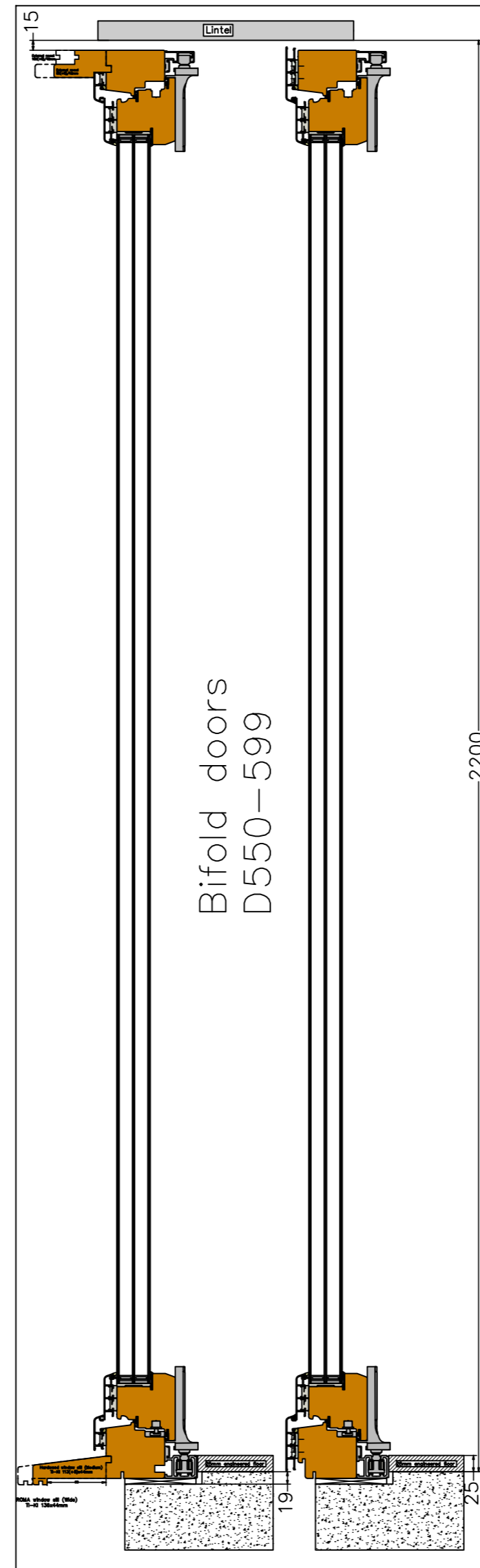
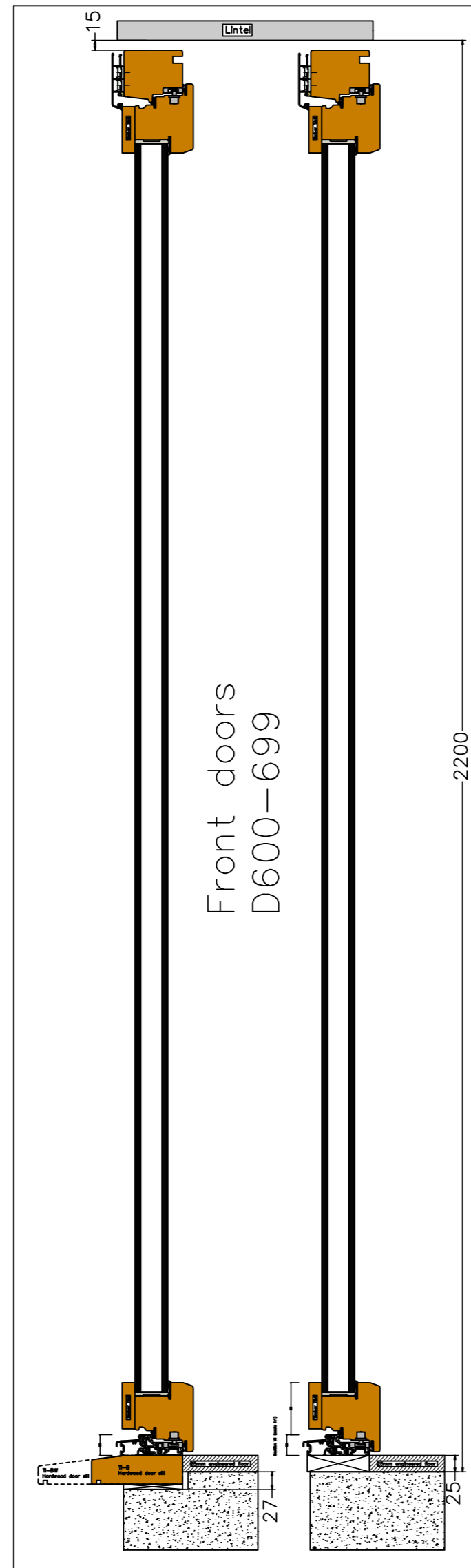
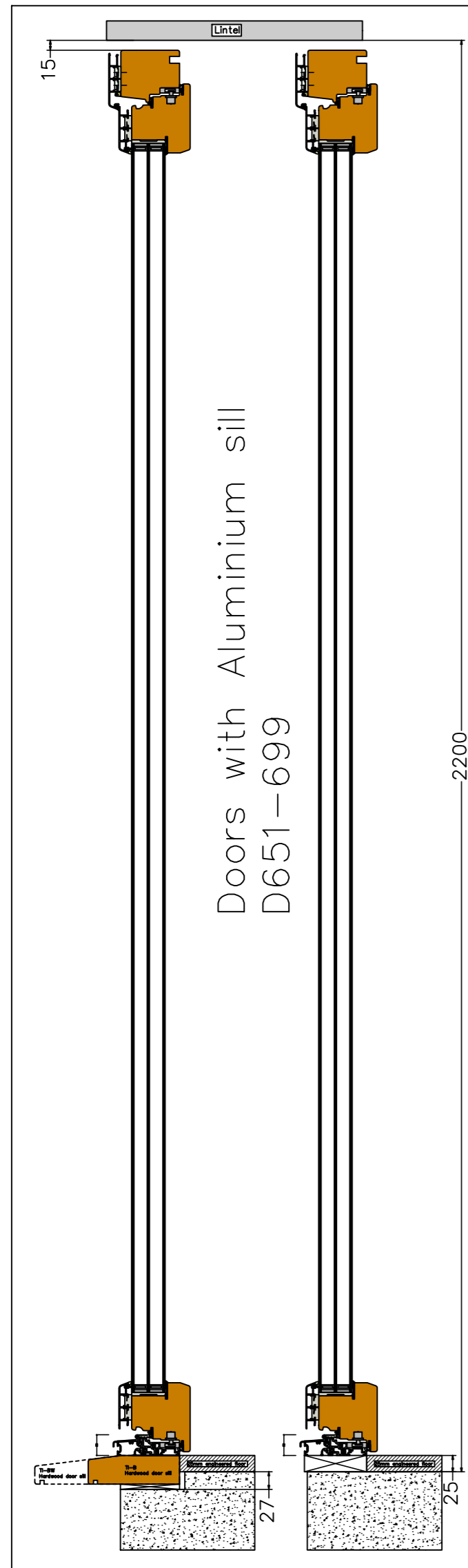
**FLASHING:**  
 - design depending on cladding  
 - glued in with adhesive  
 - screwed with stainless steel screws




ThermaDura e-MOD Thermally Efficient Window/Door Modules	drawn	Date	Name
Description: DesignLine90 D-013 with wide Aluminium profile		12.08.2015	Rampe

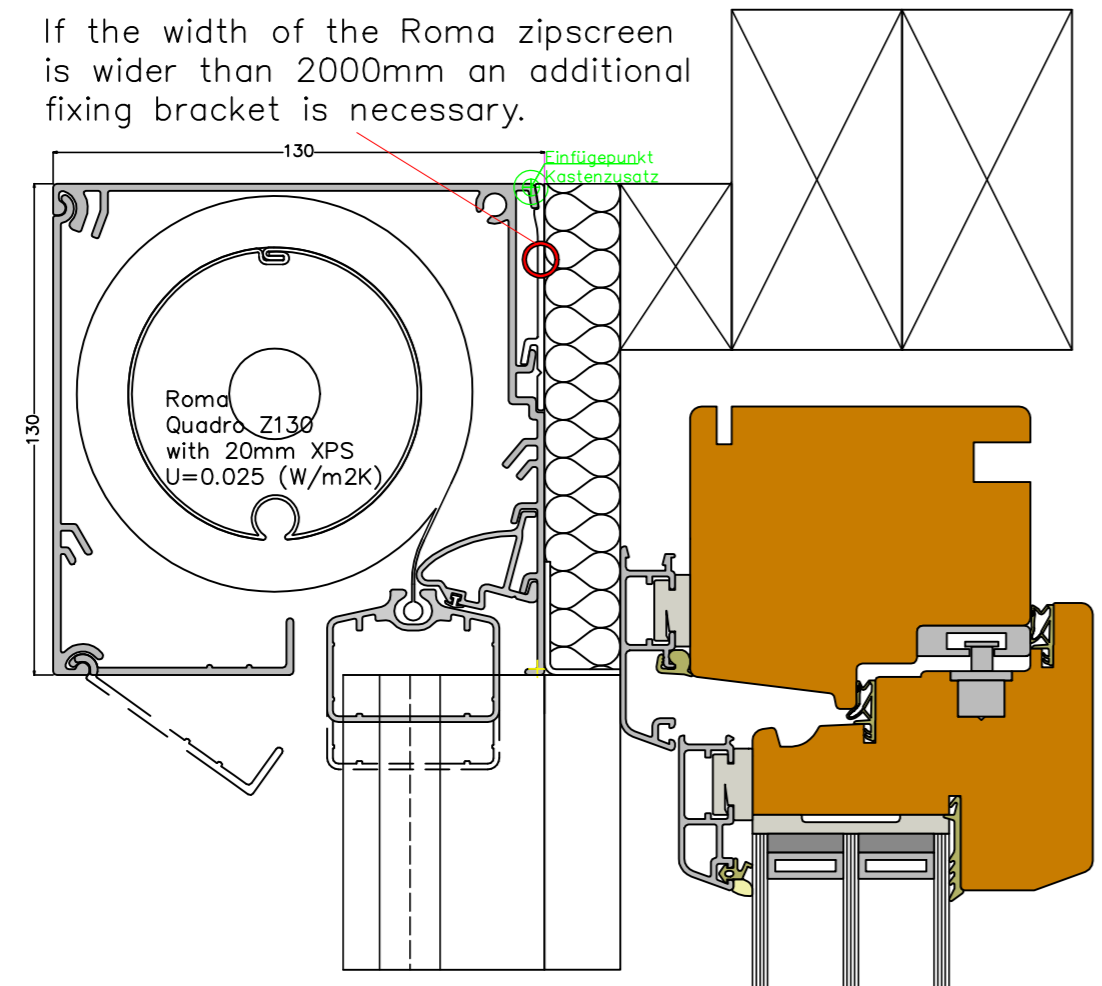
**ThermaDura**  
 These drawings are protected by copyright and only to be used in conjunction with the supply of ThermaDura products. This drawing is an instrument of service and is provided for informational use only.  
 © 2019 ThermaDura Ltd



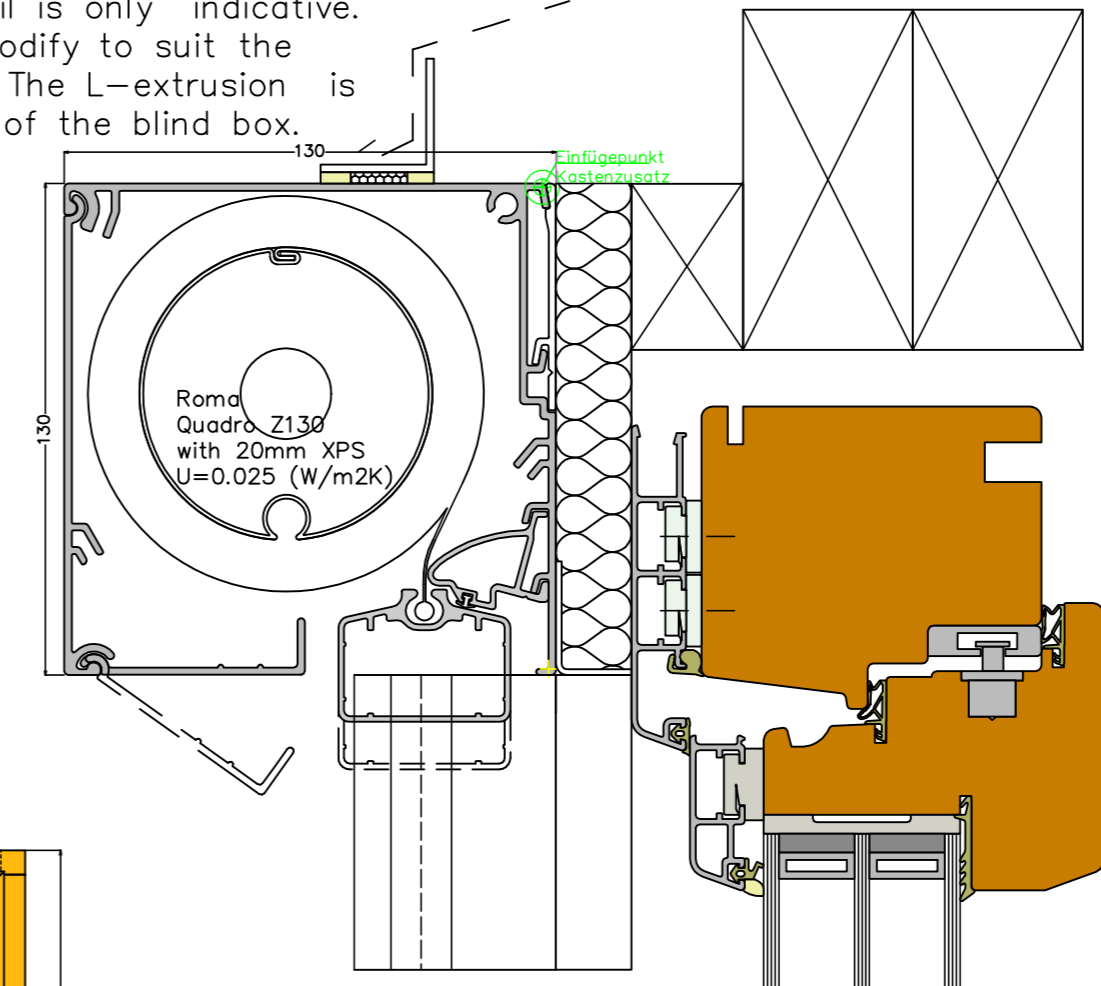


ThermaDura e-MOD Thermally Efficient Window/Door Modules	drawn	Date	Name
		01.06.2020	Rampe
Description: DesignLine D-014 Door heights, rebates			
	These drawings are protected by copyright and only to be used in conjunction with the supply of Thermadura products. This drawing is an instrument of service and is provided for informational use only.		
	© 2019 ThermaDura ltd		

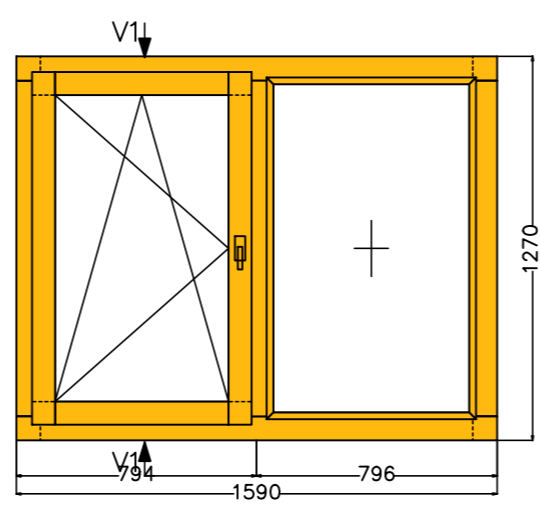
If the width of the Roma zipscreen is wider than 2000mm an additional fixing bracket is necessary.



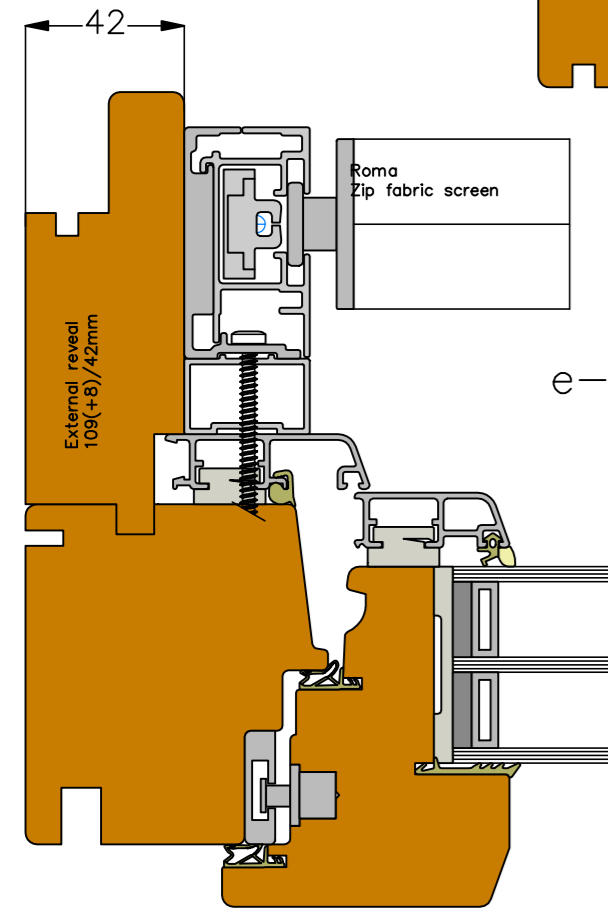
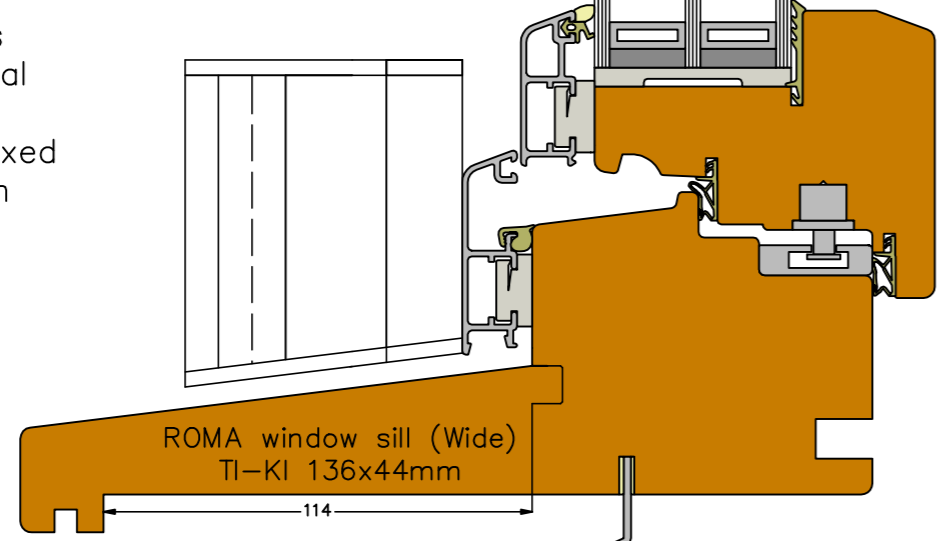
This detail is only indicative. Please modify to suit the cladding. The L-extrusion is not part of the blind box.



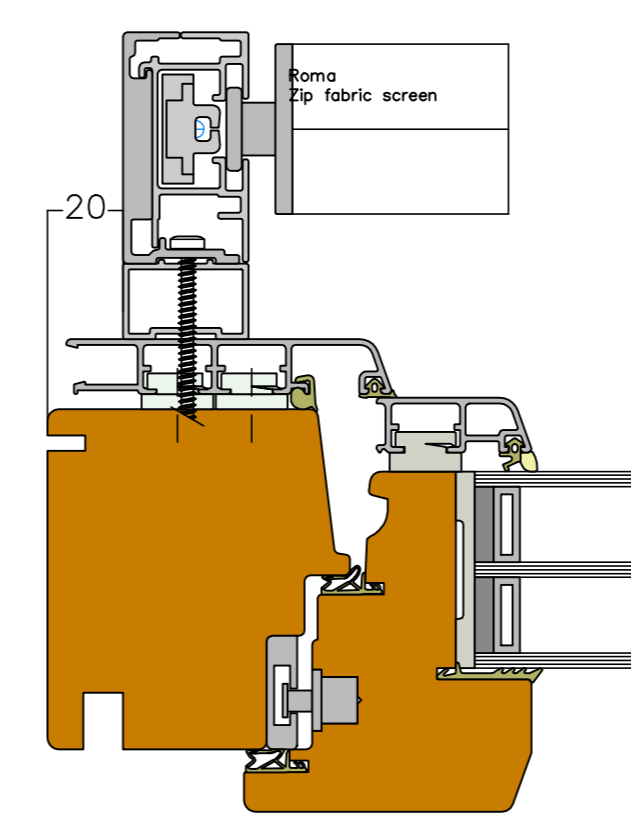
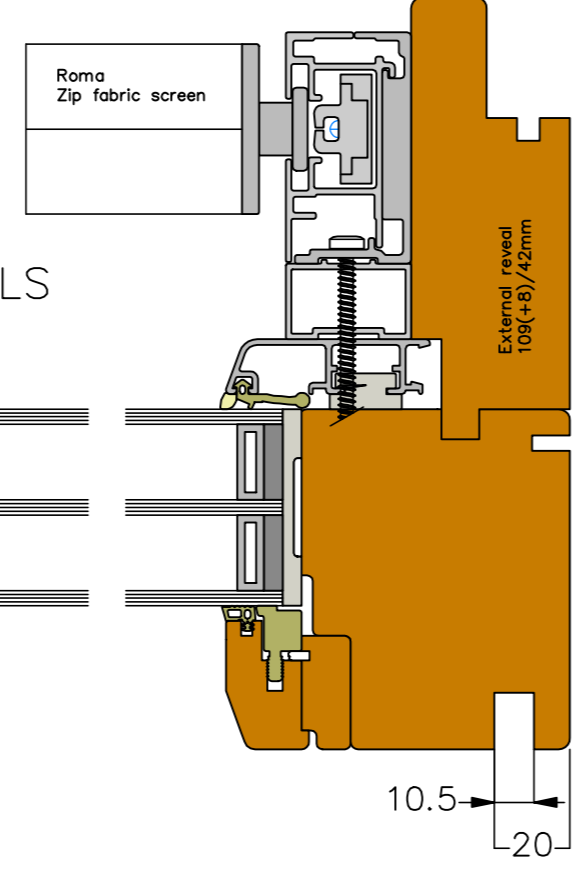
View from inside (scale 1:15)



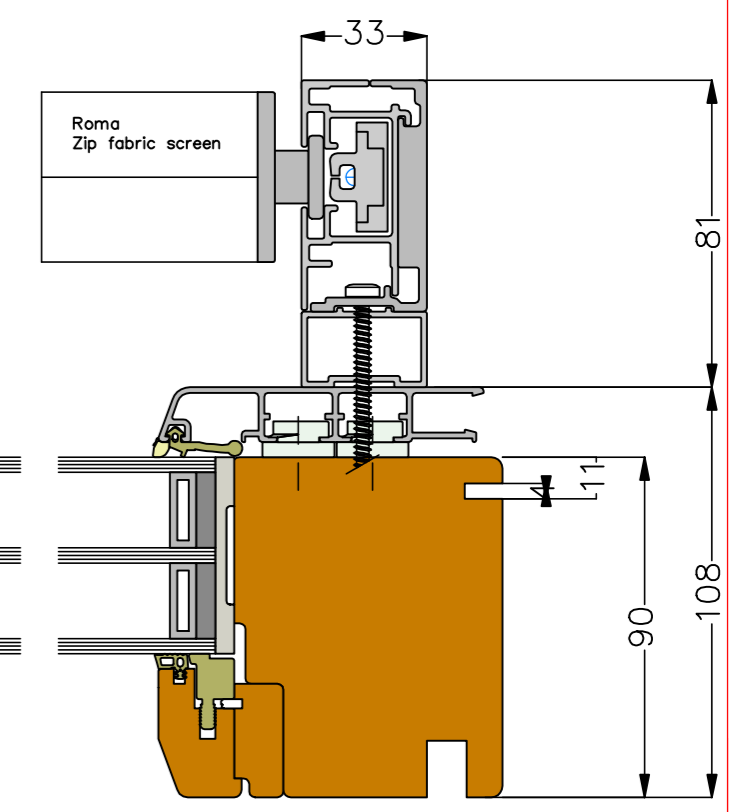
- Assembly Roma blind on site:
- Fix guide rails with stainless steel screws to the window frame
  - In case the blind box is wider than 2m fix additional fixing bracket(s)
  - Lift the box onto the fixed guiderails and connect with allen key to the guiderails



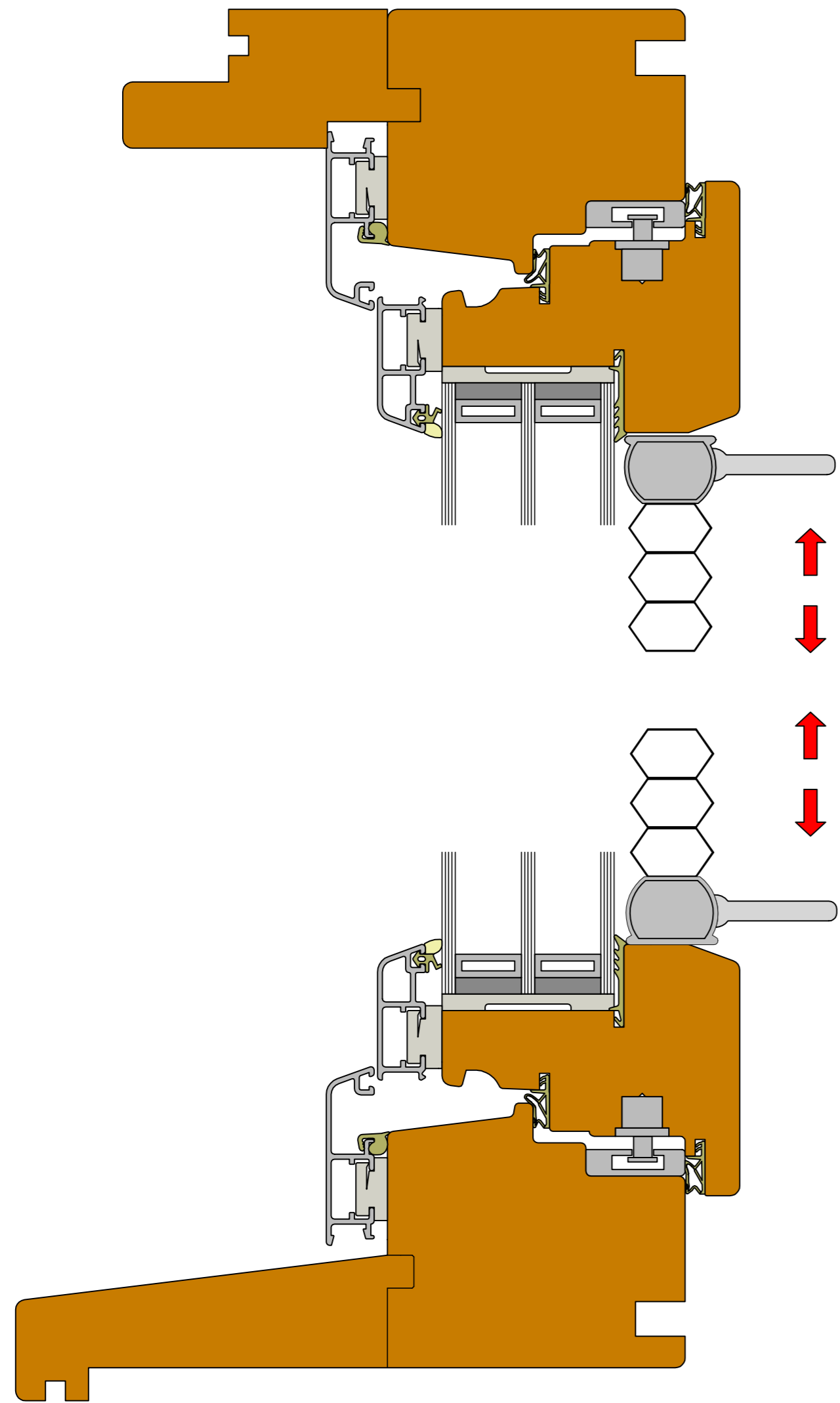
e-MOD EXTERNAL TIMBER REVEALS



e-MOD WIDE ALU SHELL

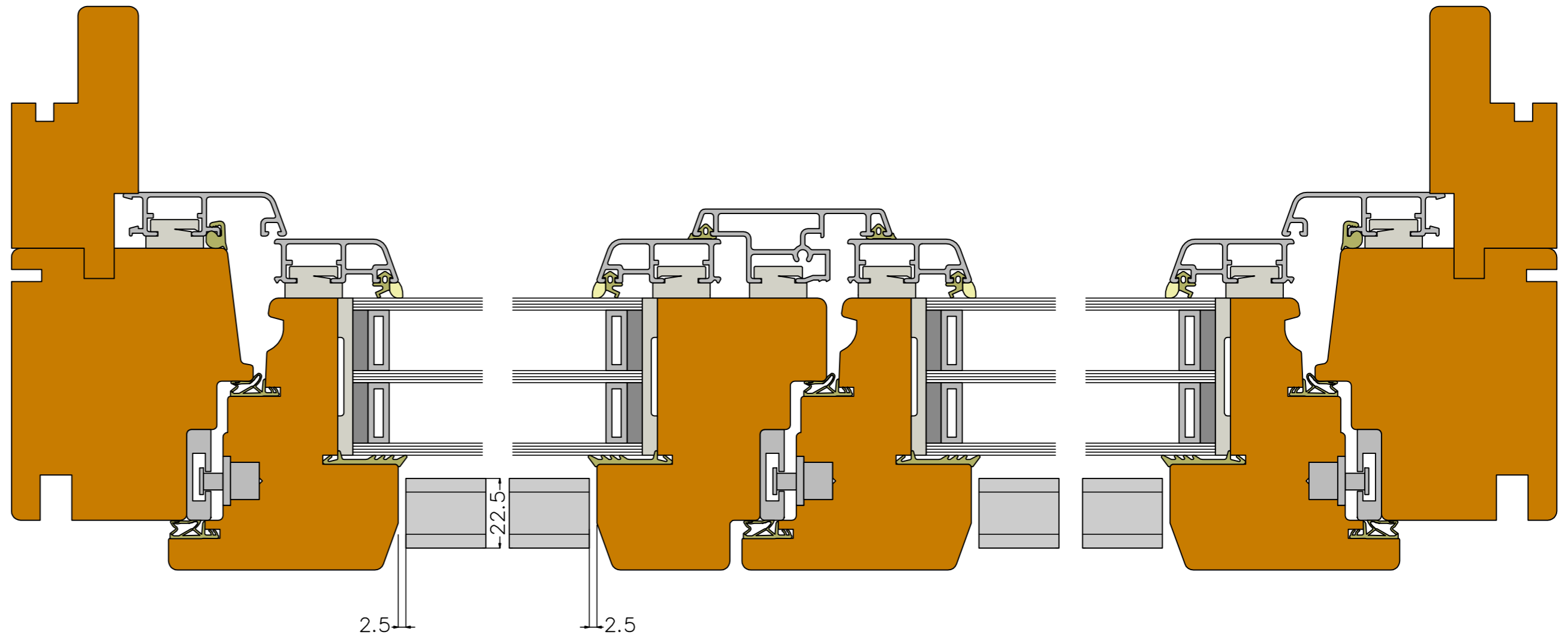
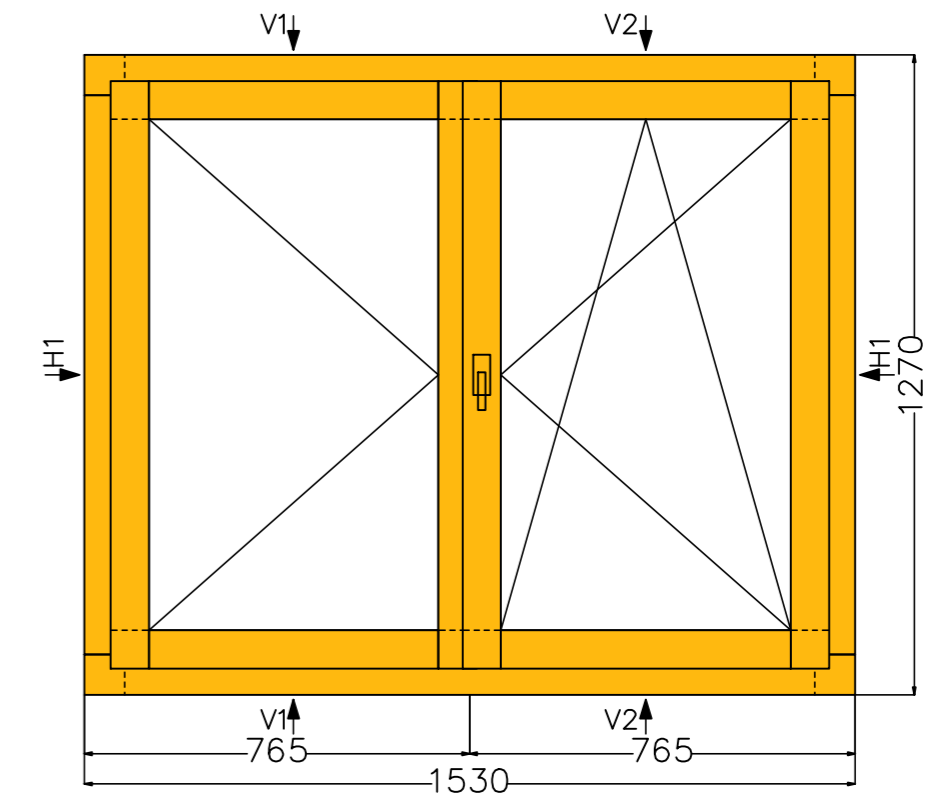


ThermaDura e-MOD Thermally Efficient Window/Door Modules	drawn	Date	Name
Description: DesignLine D-015 Roma external blinds		02.06.2020	Rampe
		These drawings are protected by copyright and only to be used in conjunction with the supply of ThermaDura products. This drawing is an instrument of service and is provided for informational use only. © 2019 ThermaDura Ltd	



HANDLE operated TwinGo honeycomb and pleated blinds (TwinGo model VS1, VS2, VS3). Child safe, no operating cords.

View from inside (scale 1:15)

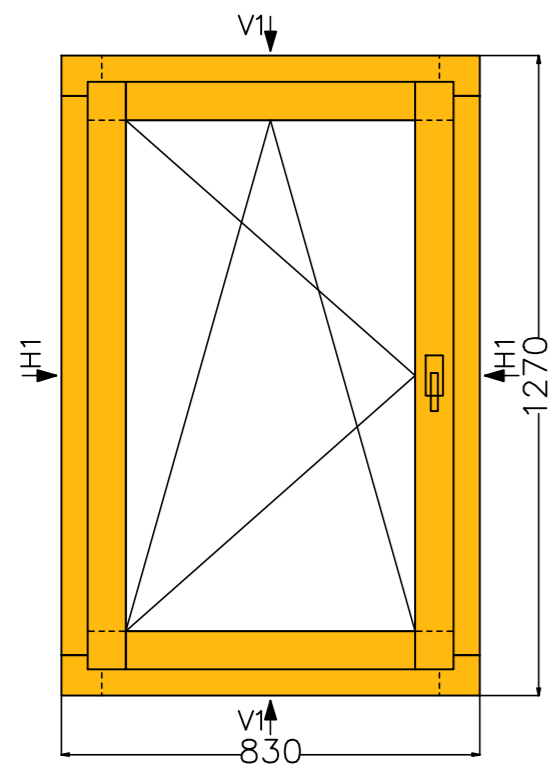


TwinGo blinds are manufactured in New Zealand. Available at ThermaDura or on [www.euroblinds.co.nz](http://www.euroblinds.co.nz)

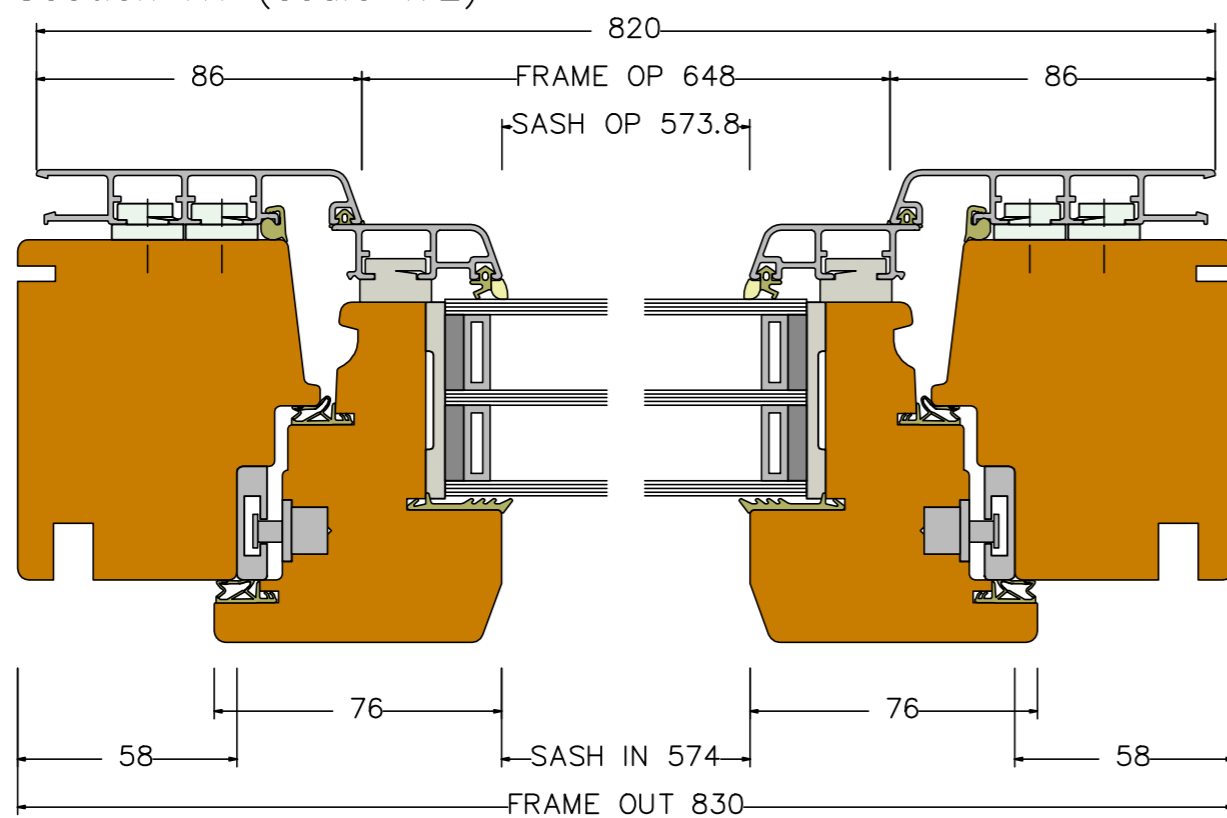


ThermaDura e-MOD Thermally Efficient Window/Door Modules	drawn	Date	Name
		30.05.2020	Rampe
Description: DesignLine D014 e-MOD TwinGo blinds			
<b>ThermaDura</b>	These drawings are protected by copyright and only to be used in conjunction with the supply of ThermaDura products. This drawing is an instrument of service and is provided for informational use only. © 2019 ThermaDura Ltd		

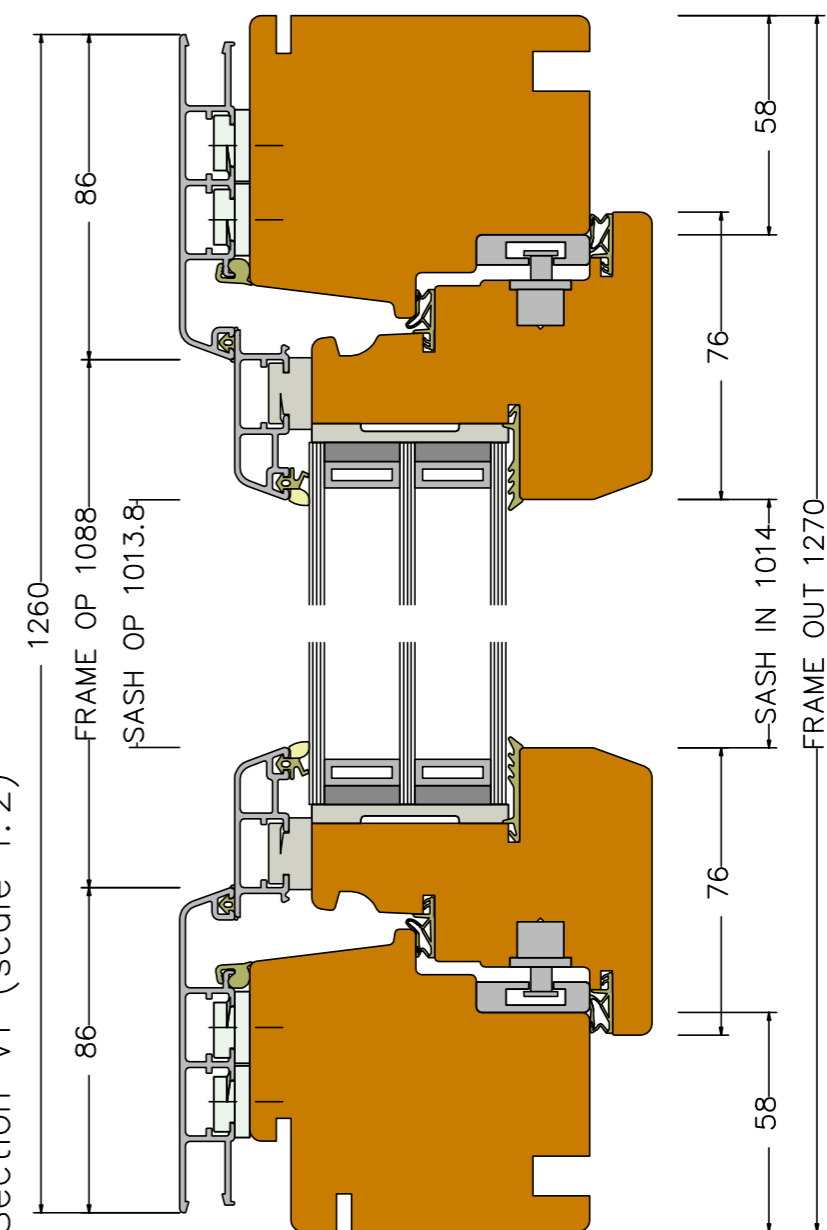
View from inside (scale 1:15)



Section H1 (scale 1:2)

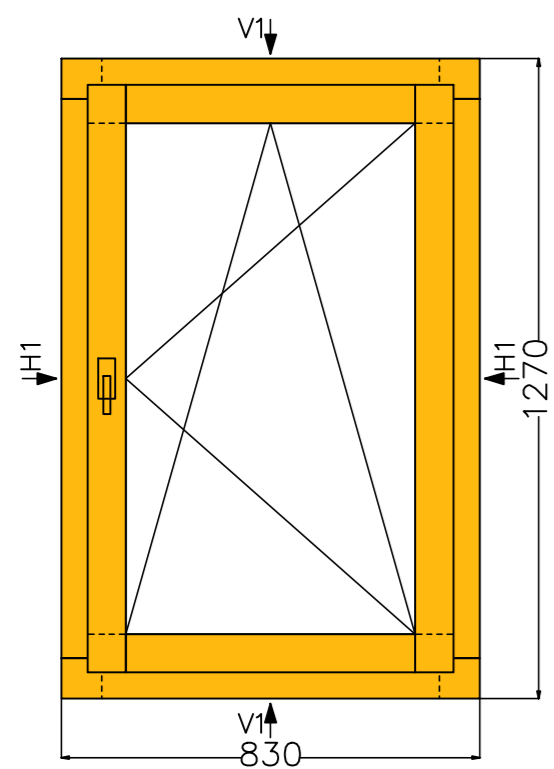


Section V1 (scale 1:2)

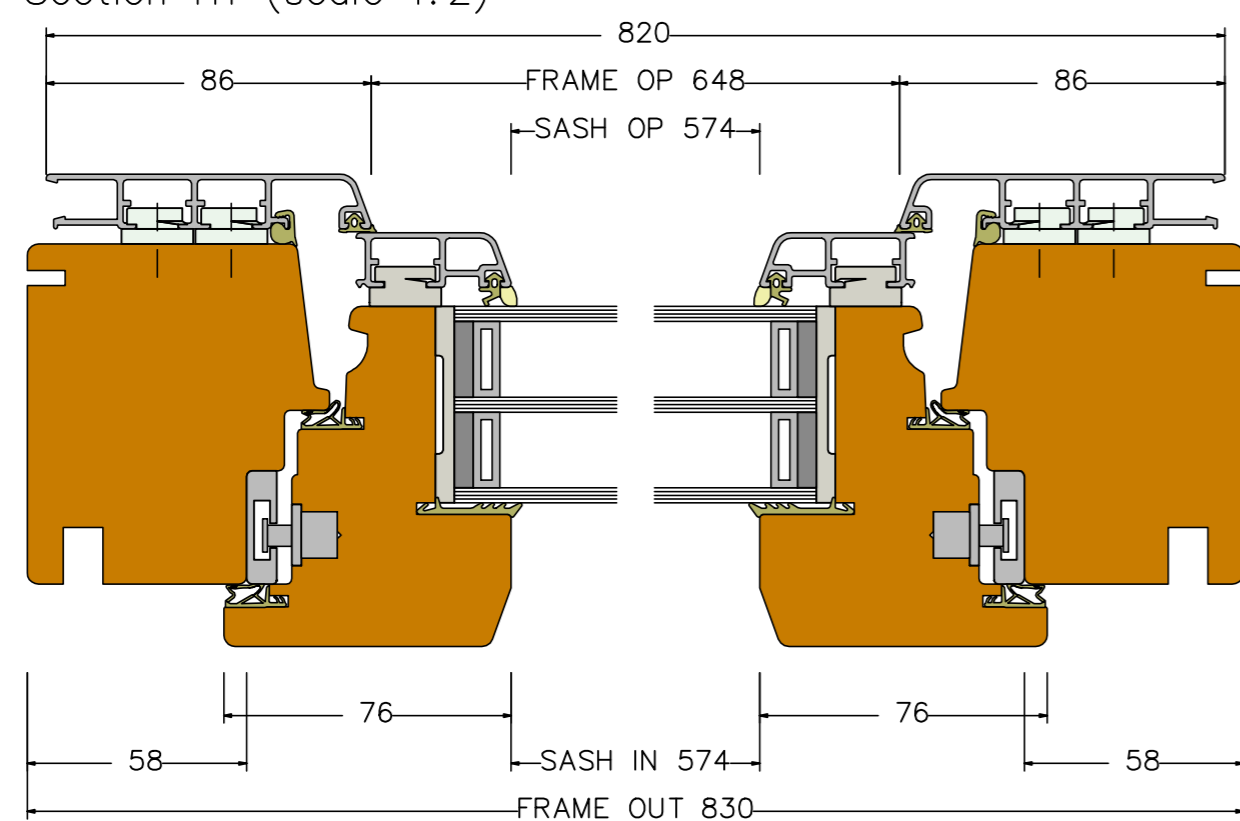


ThermaDura e-MOD Thermally Efficient Window/Door Modules	drawn	Date	Name
		30.05.2020	Rampe
Description: DesignLine e-MOD D101 Timber-Aluminium LH tilt-turn window			
<b>ThermaDura</b>	These drawings are protected by copyright and only to be used in conjunction with the supply of Thermadura products. This drawing is an instrument of service and is provided for informational use only. © 2019 ThermaDura Ltd		

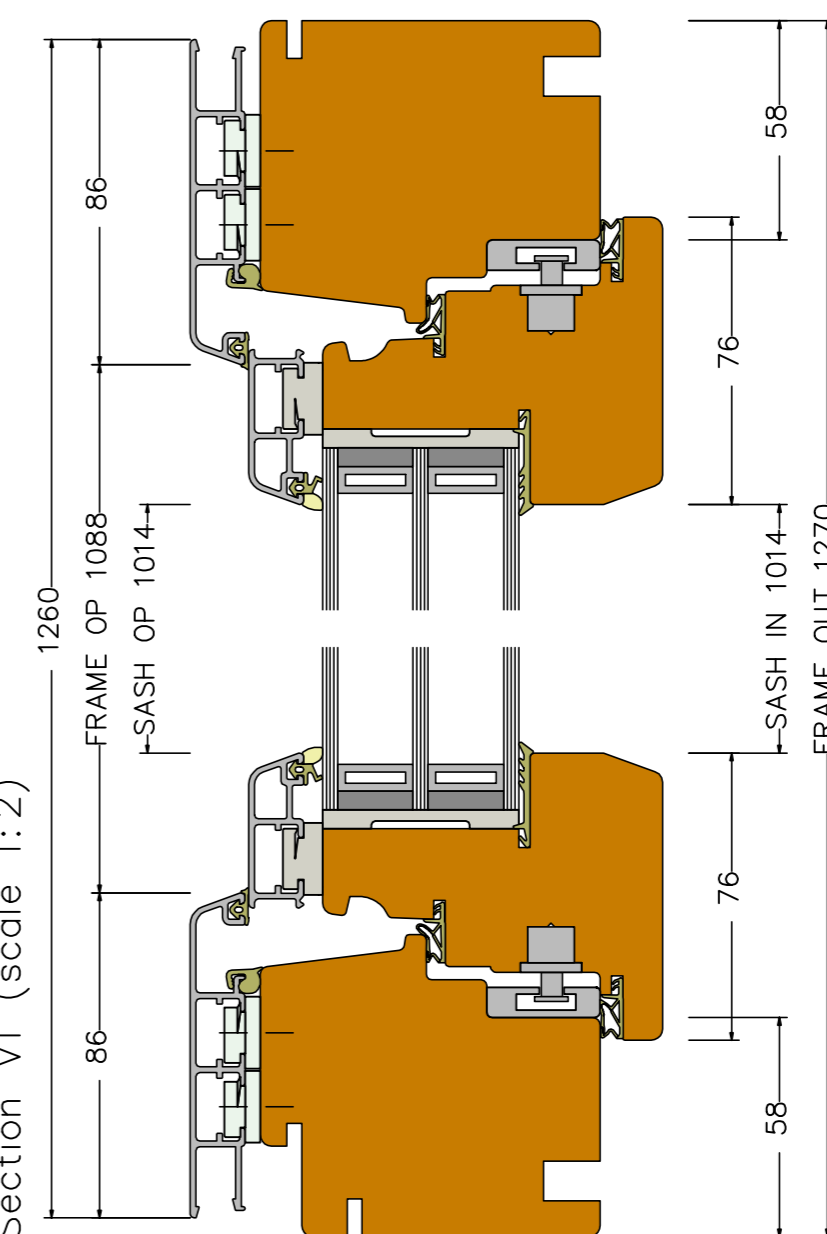
View from inside (scale 1:15)



Section H1 (scale 1:2)

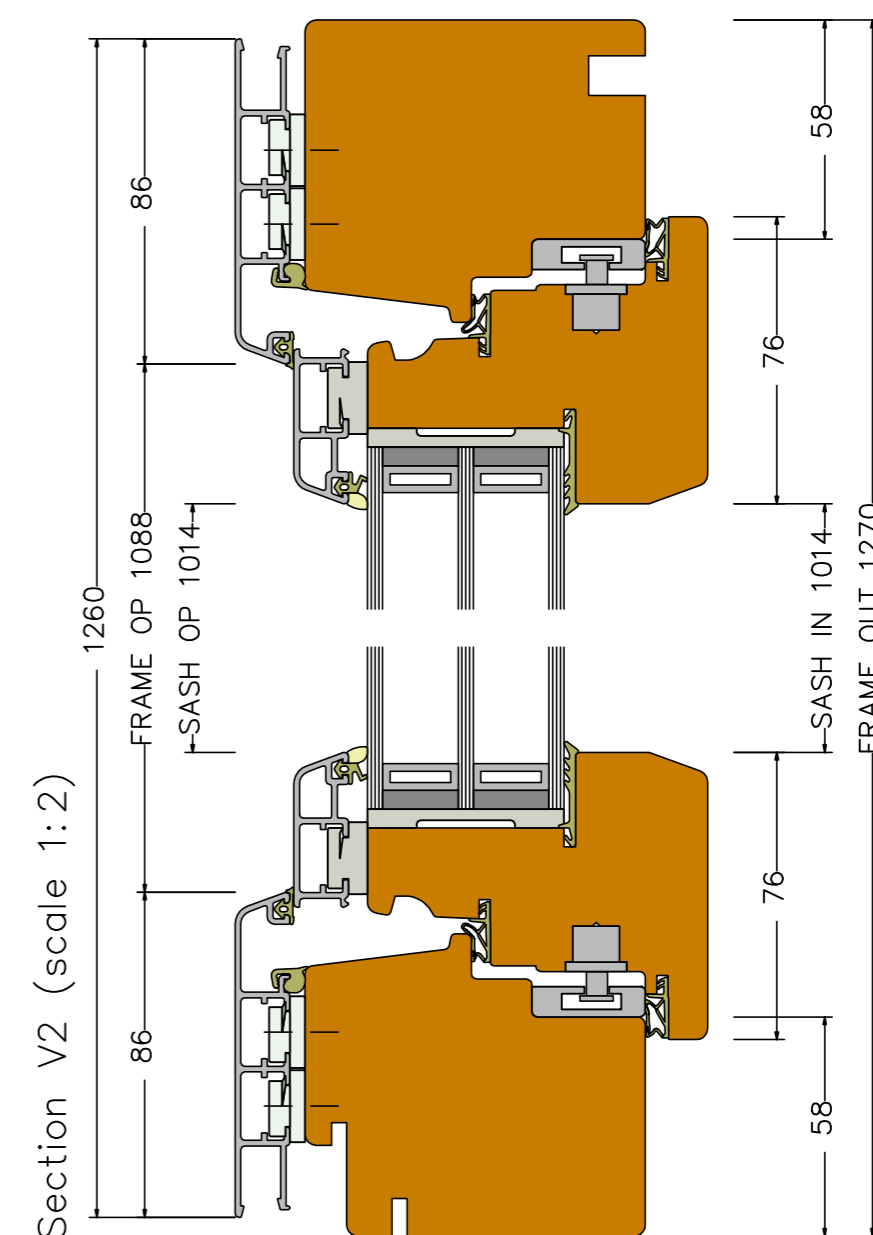
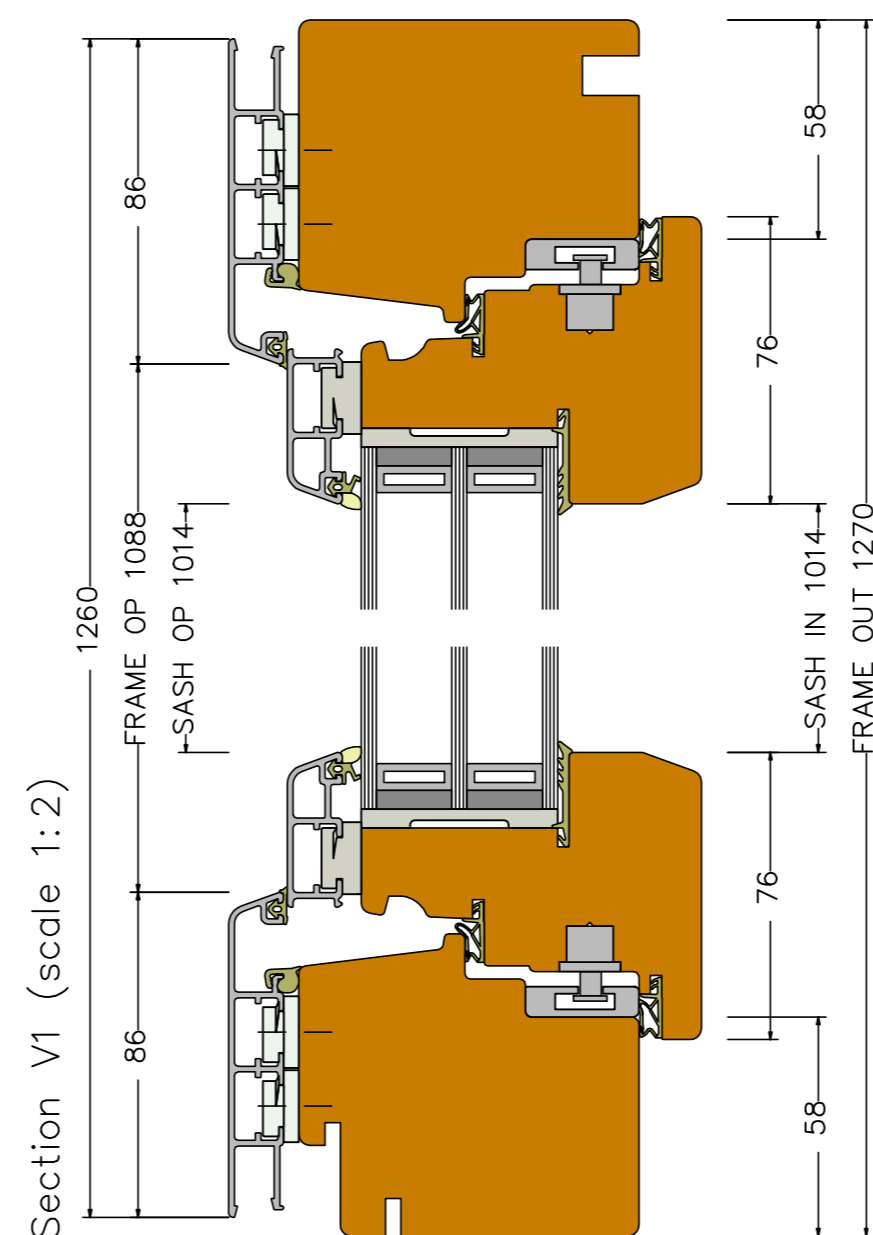
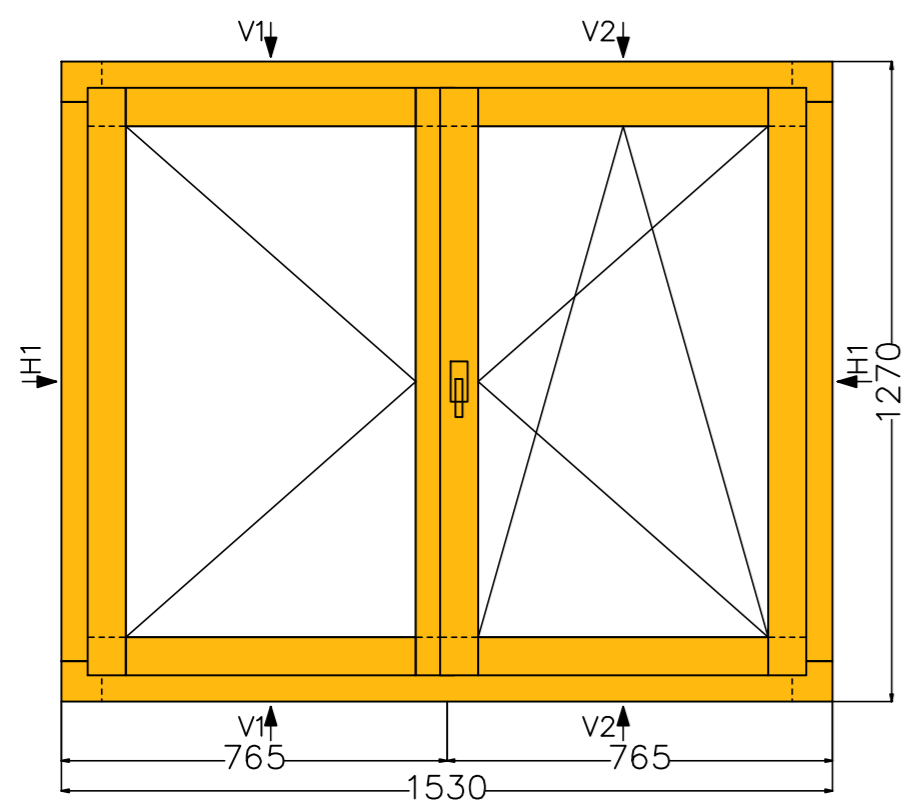


Section V1 (scale 1:2)

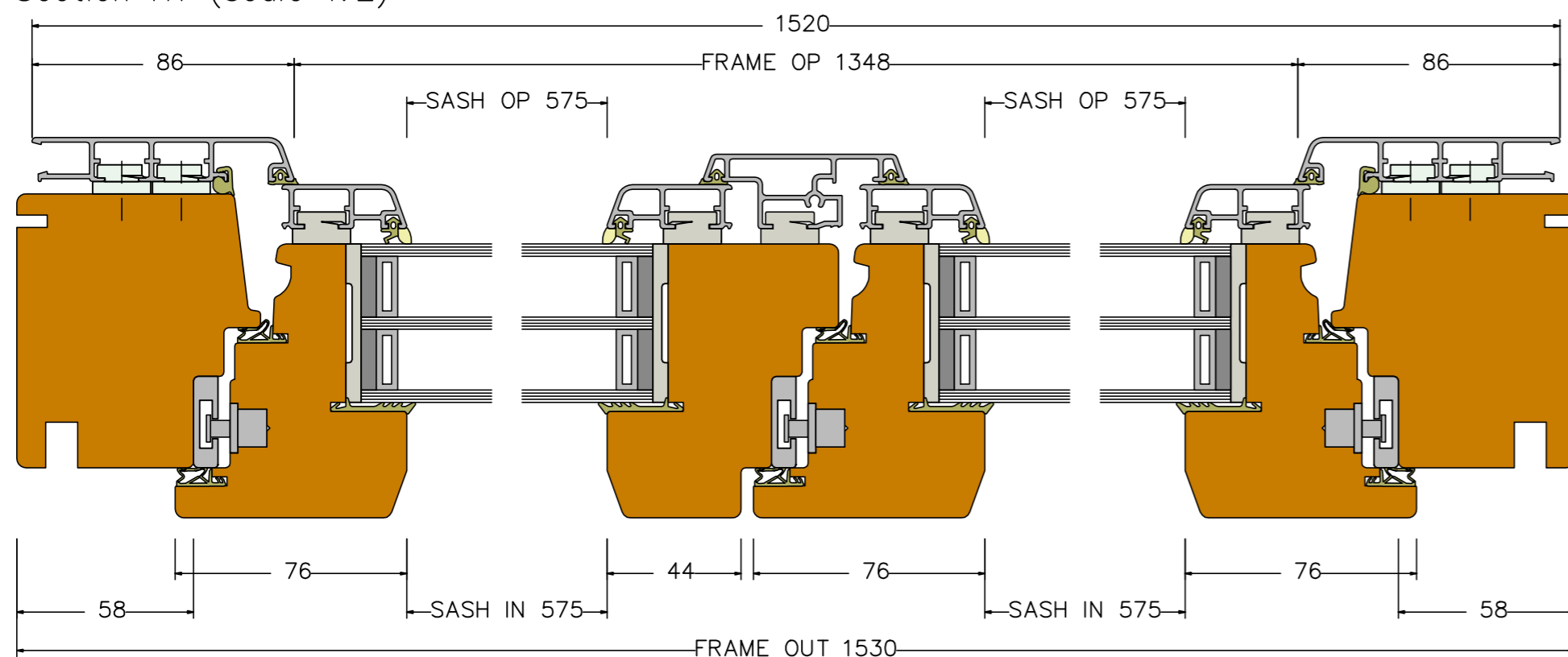


ThermaDura e-MOD Thermally Efficient Window/Door Modules	drawn	Date	Name
		30.05.2020	Rampe
Description: DesignLine e-MOD D-102 Timber-Aluminium RH tilt-turn window			
<b>ThermaDura</b>	These drawings are protected by copyright and only to be used in conjunction with the supply of ThermaDura products. This drawing is an instrument of service and is provided for informational use only. © 2019 ThermaDura Ltd		

View from inside (scale 1:15)

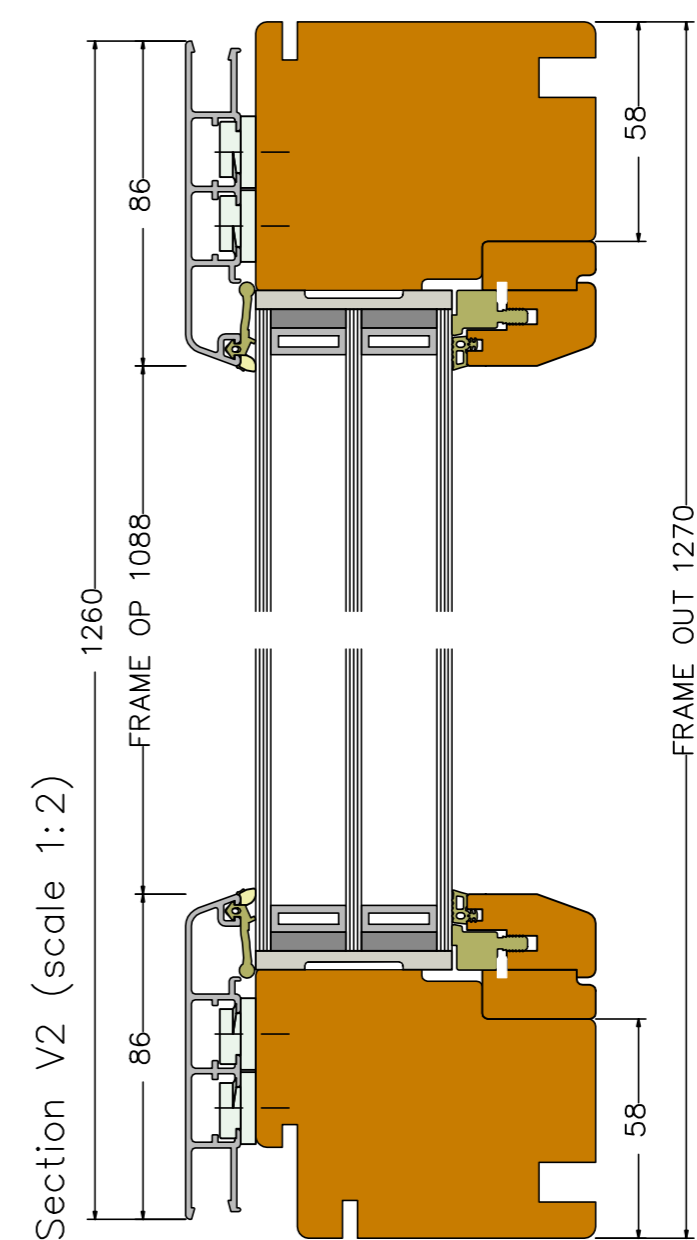
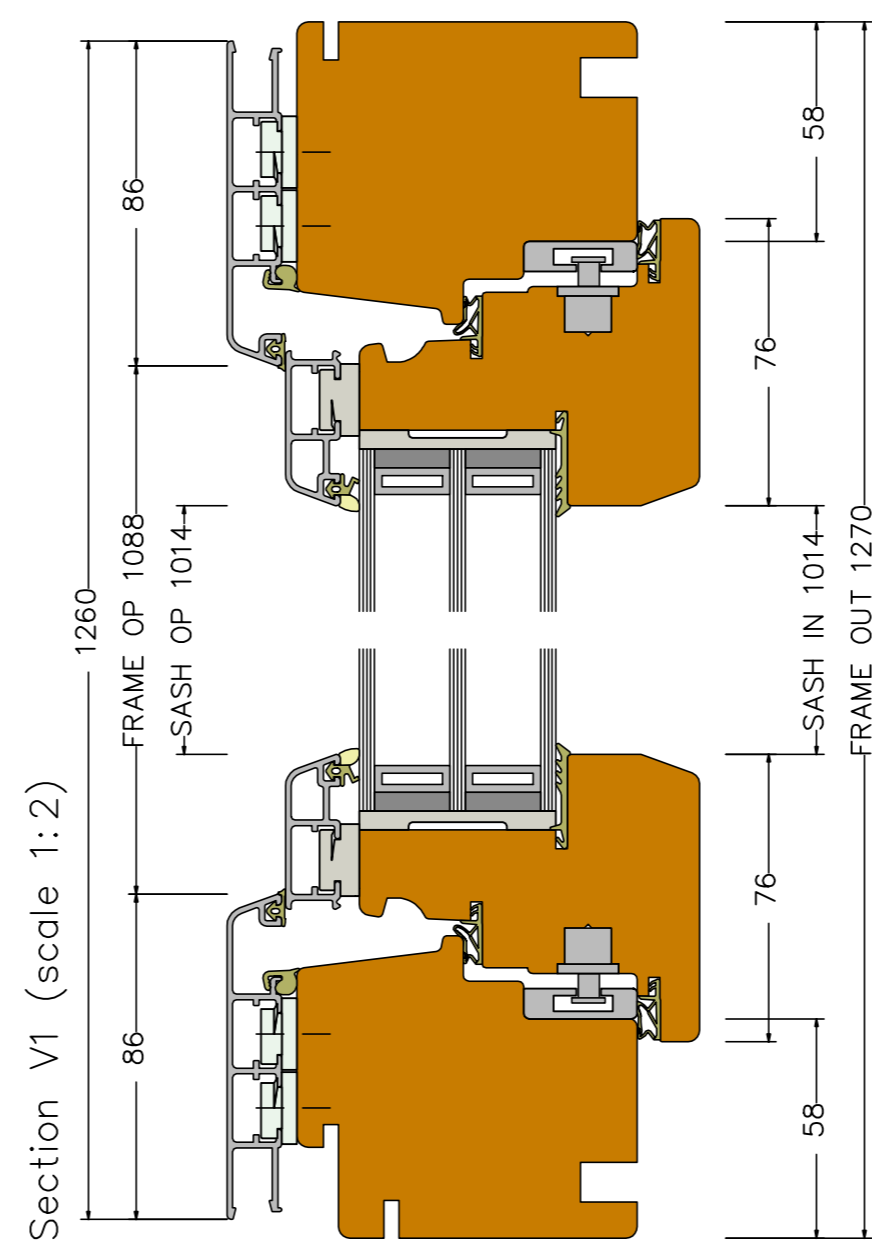
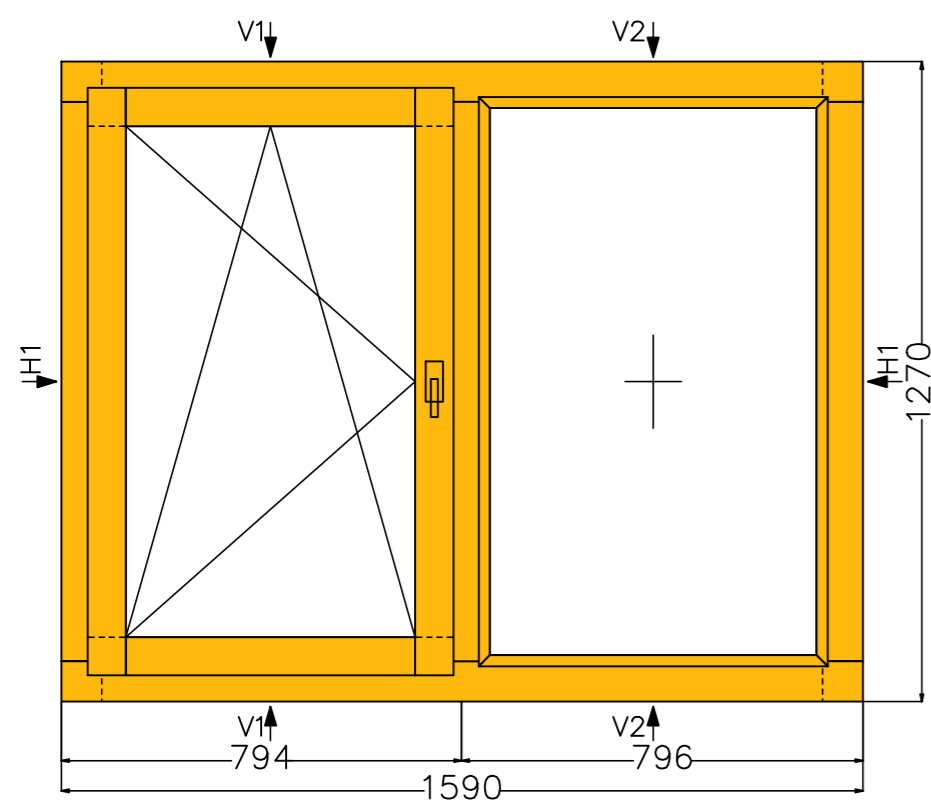


Section H1 (scale 1:2)

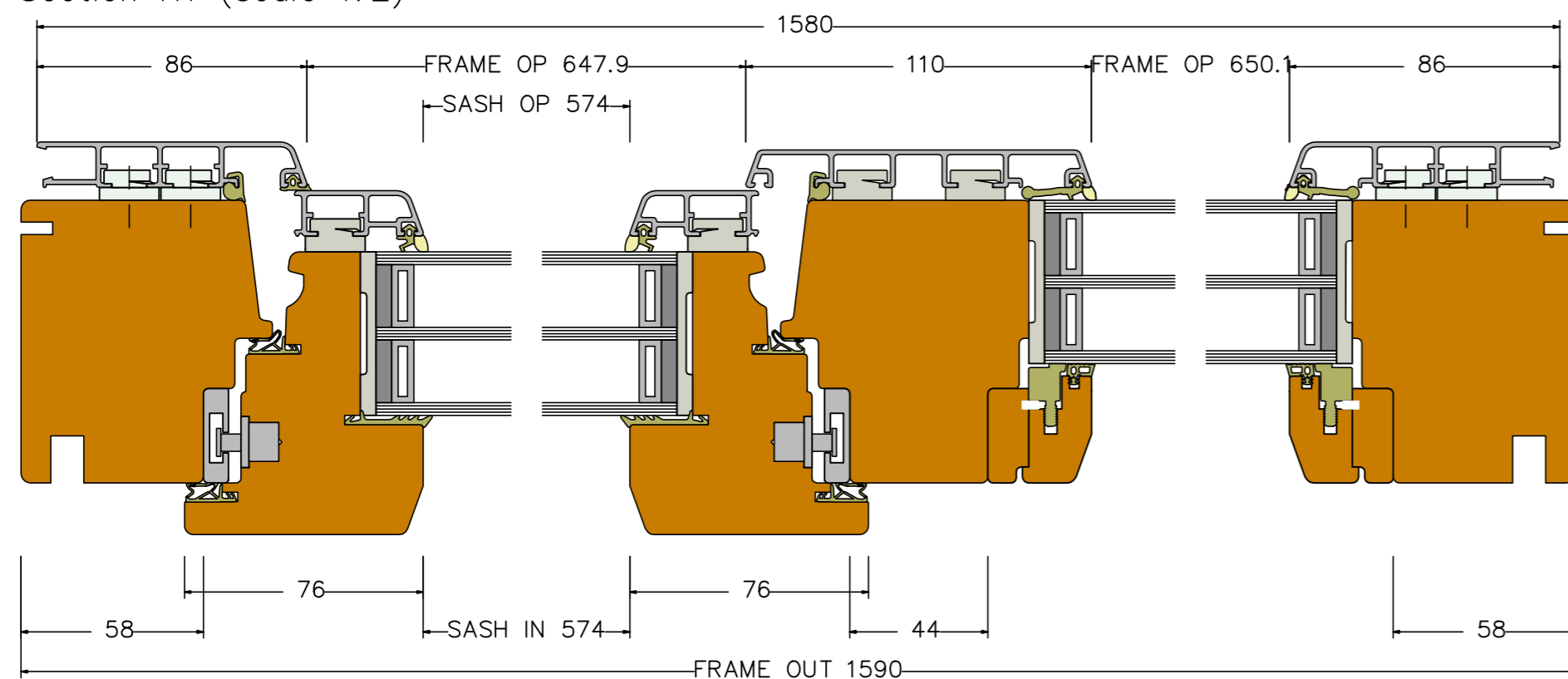


ThermaDura e-MOD Thermally Efficient Window/Door Modules	drawn	Date	Name
		30.05.2020	Rampe
Description: DesignLine e-MOD D-103 Timber-Aluminium French window			
<b>ThermaDura</b>	These drawings are protected by copyright and only to be used in conjunction with the supply of Thermadura products. This drawing is an instrument of service and is provided for informational use only. © 2019 Thermadura Ltd		

View from inside (scale 1:15)

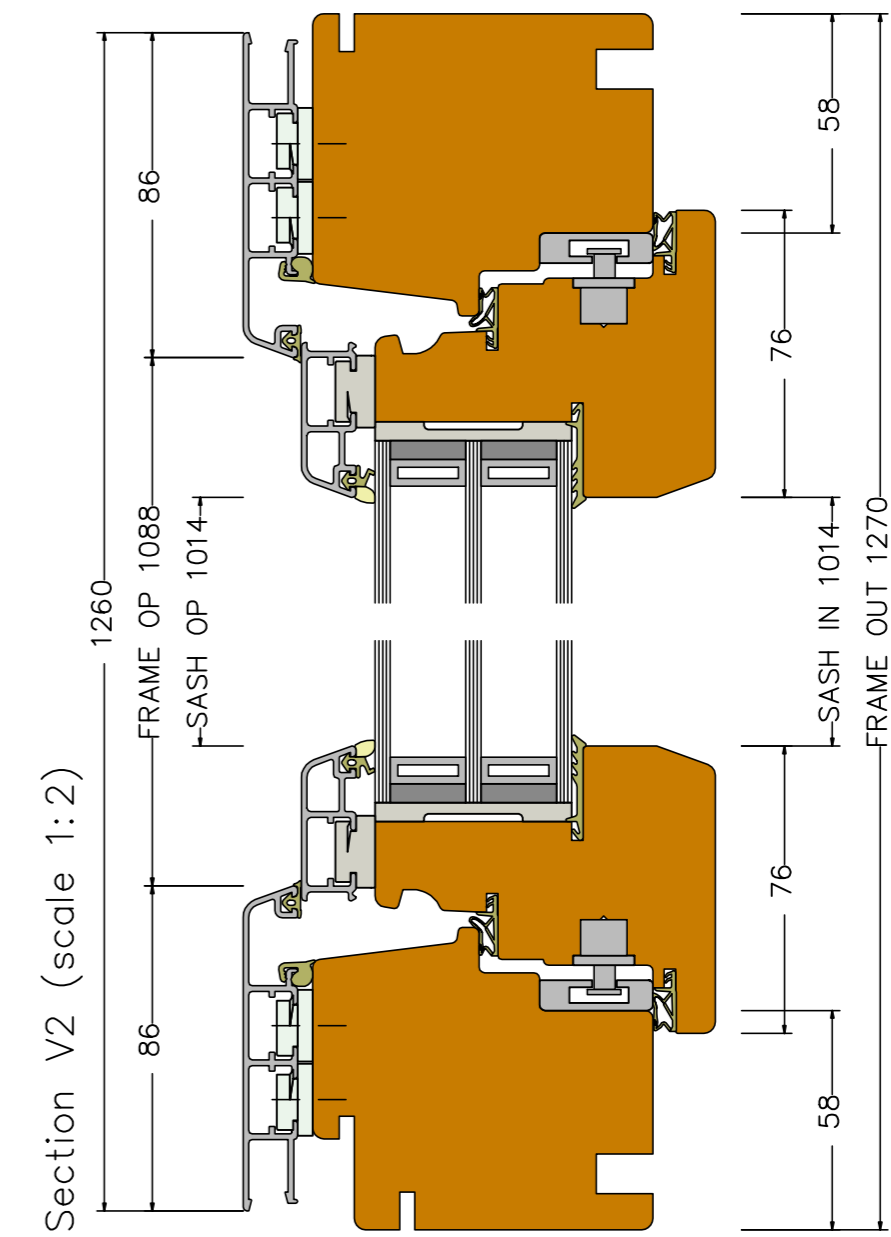
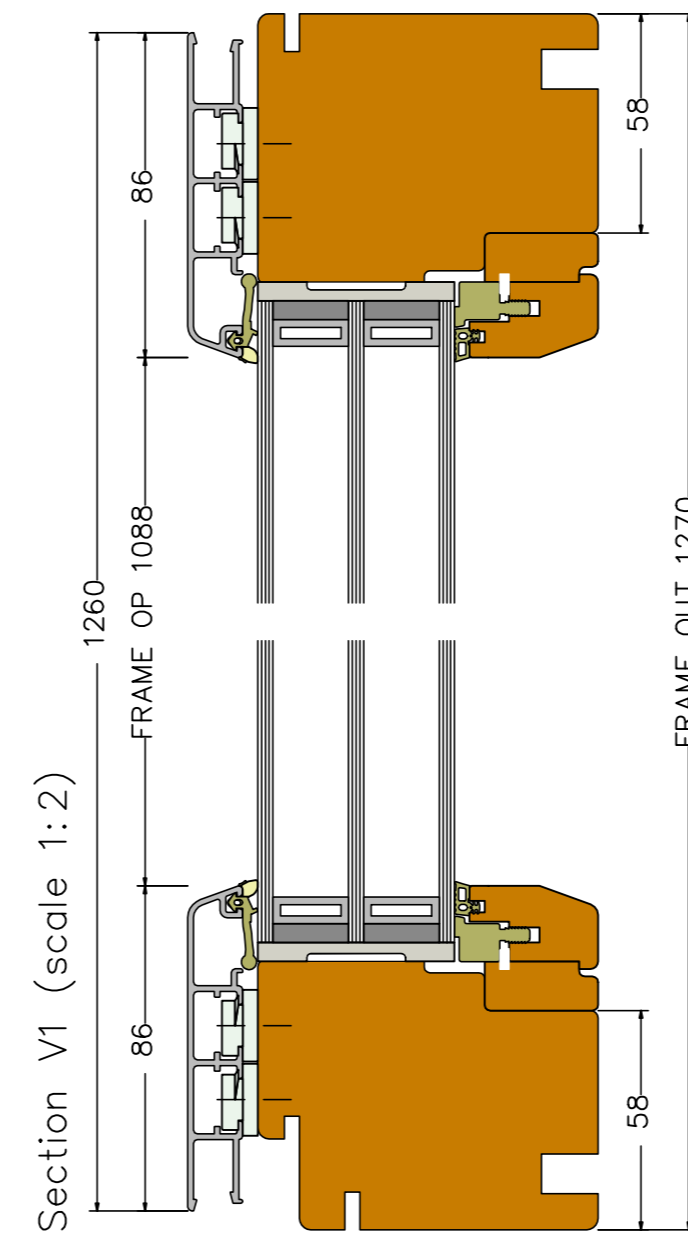
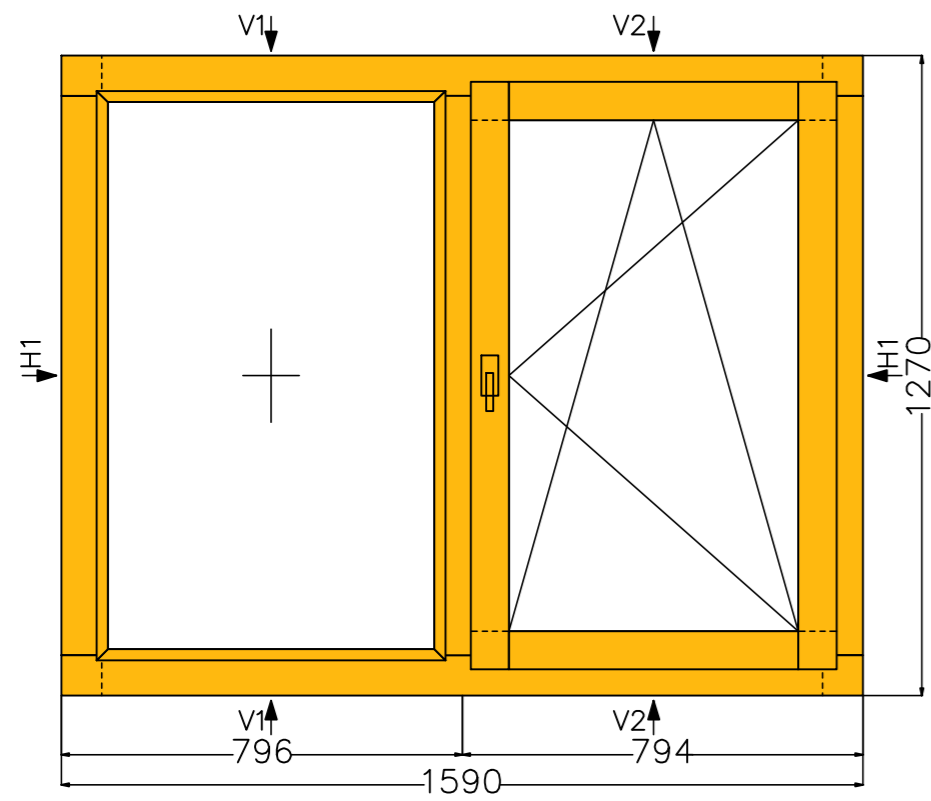


Section H1 (scale 1:2)

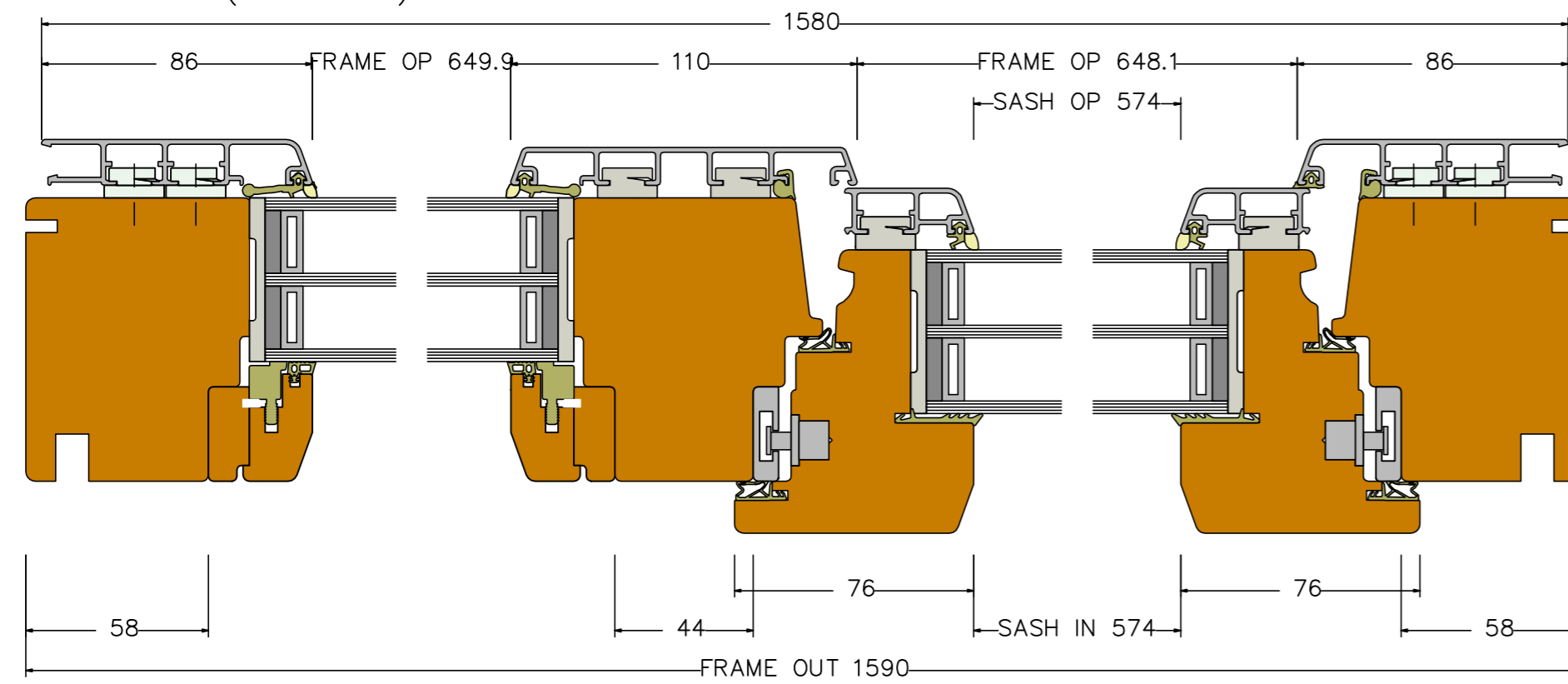


ThermaDura e-MOD Thermally Efficient Window/Door Modules	drawn	Date	Name
		30.05.2020	Rampe
Description: DesignLine e-MOD D-104 Tilt-turn timber-aluminium window			
<b>ThermaDura</b>	These drawings are protected by copyright and only to be used in conjunction with the supply of Thermadura products. This drawing is an instrument of service and is provided for informational use only. © 2019 Thermadura Ltd		

View from inside (scale 1:15)



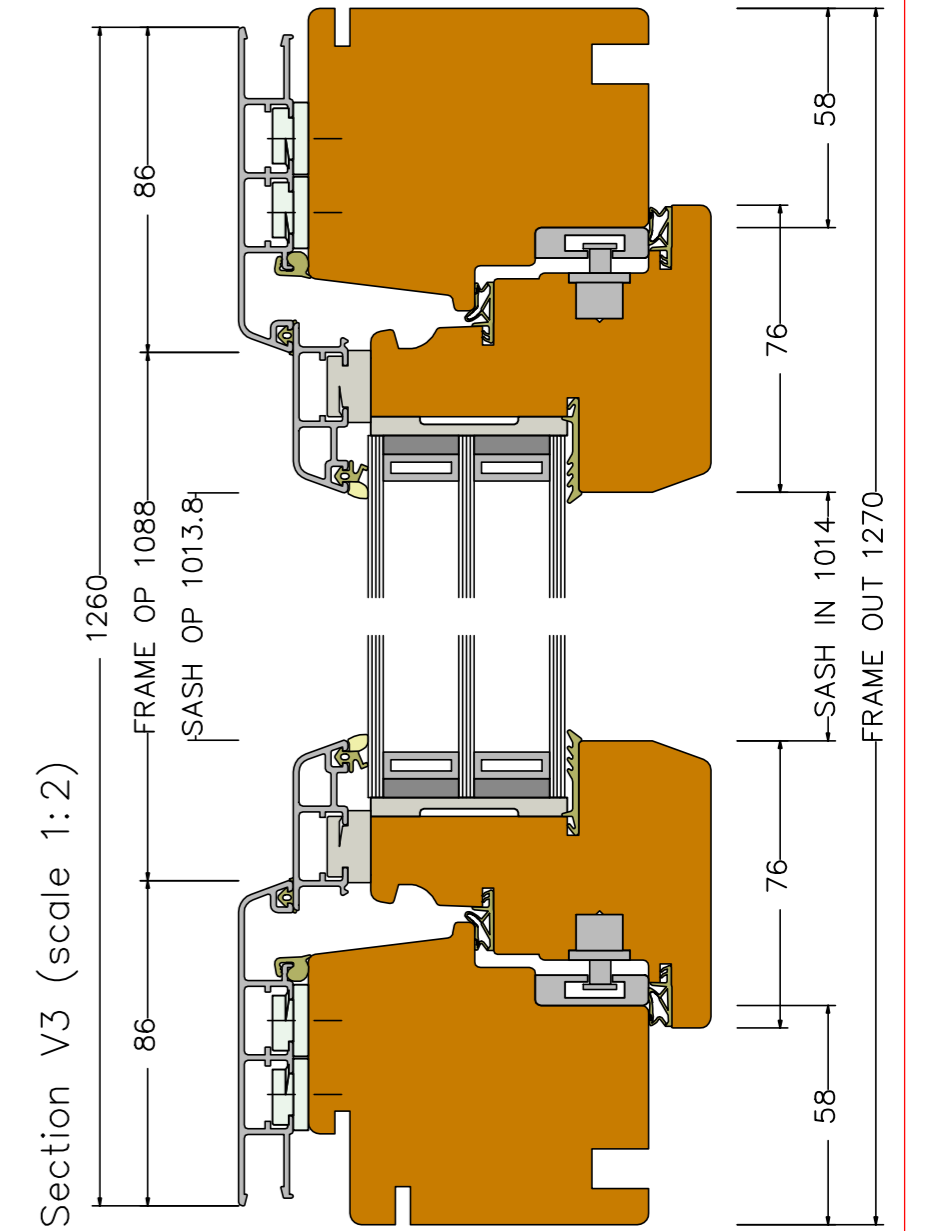
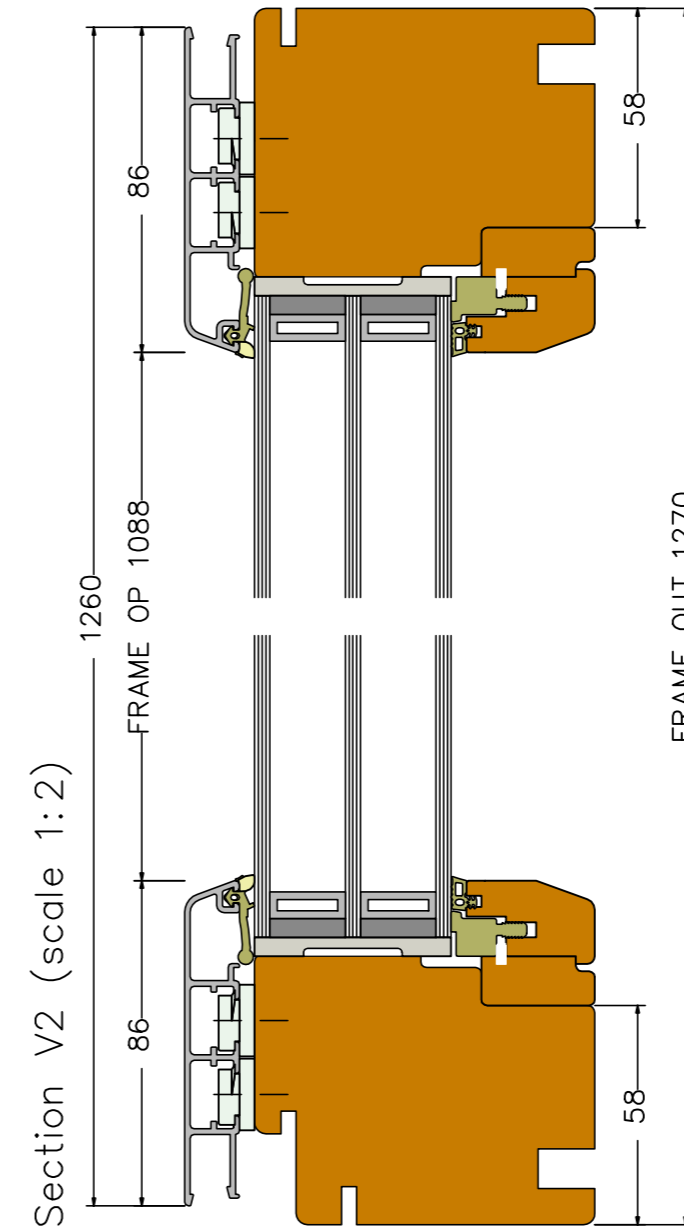
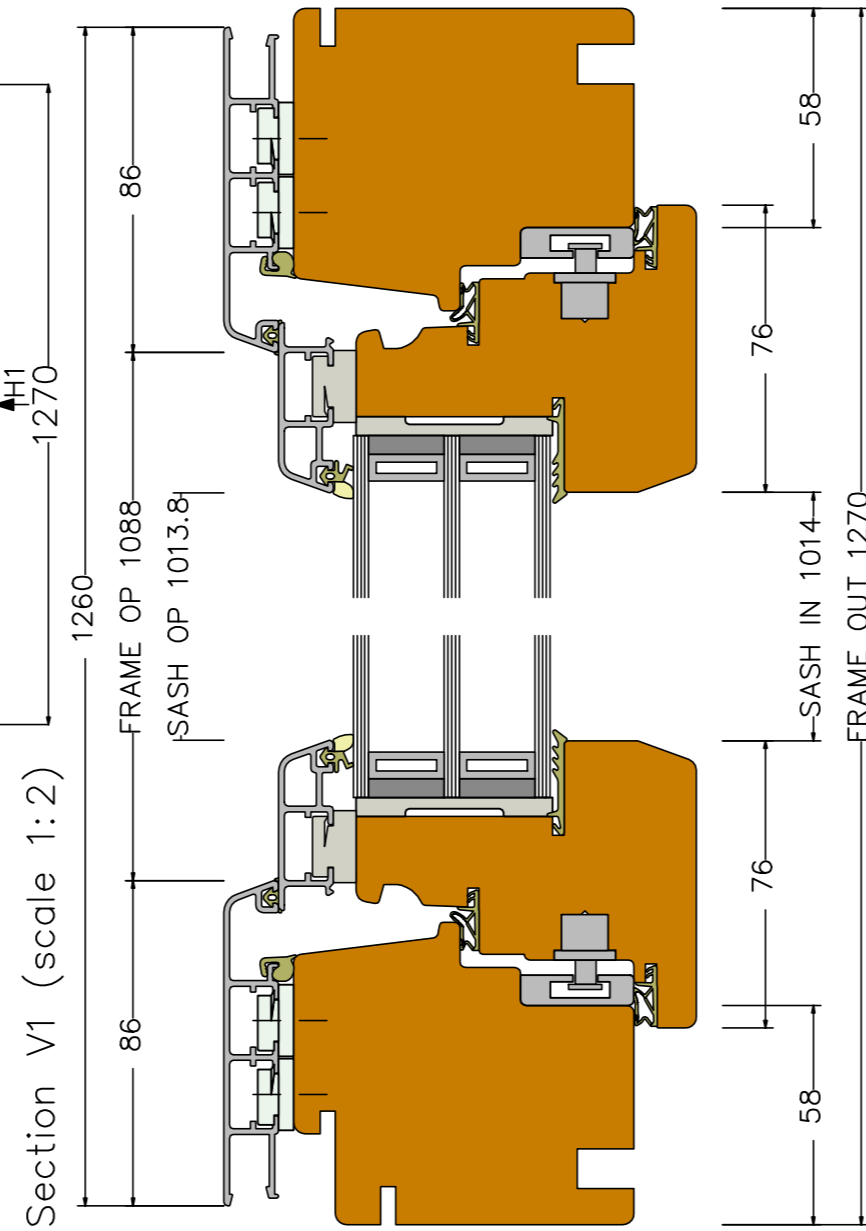
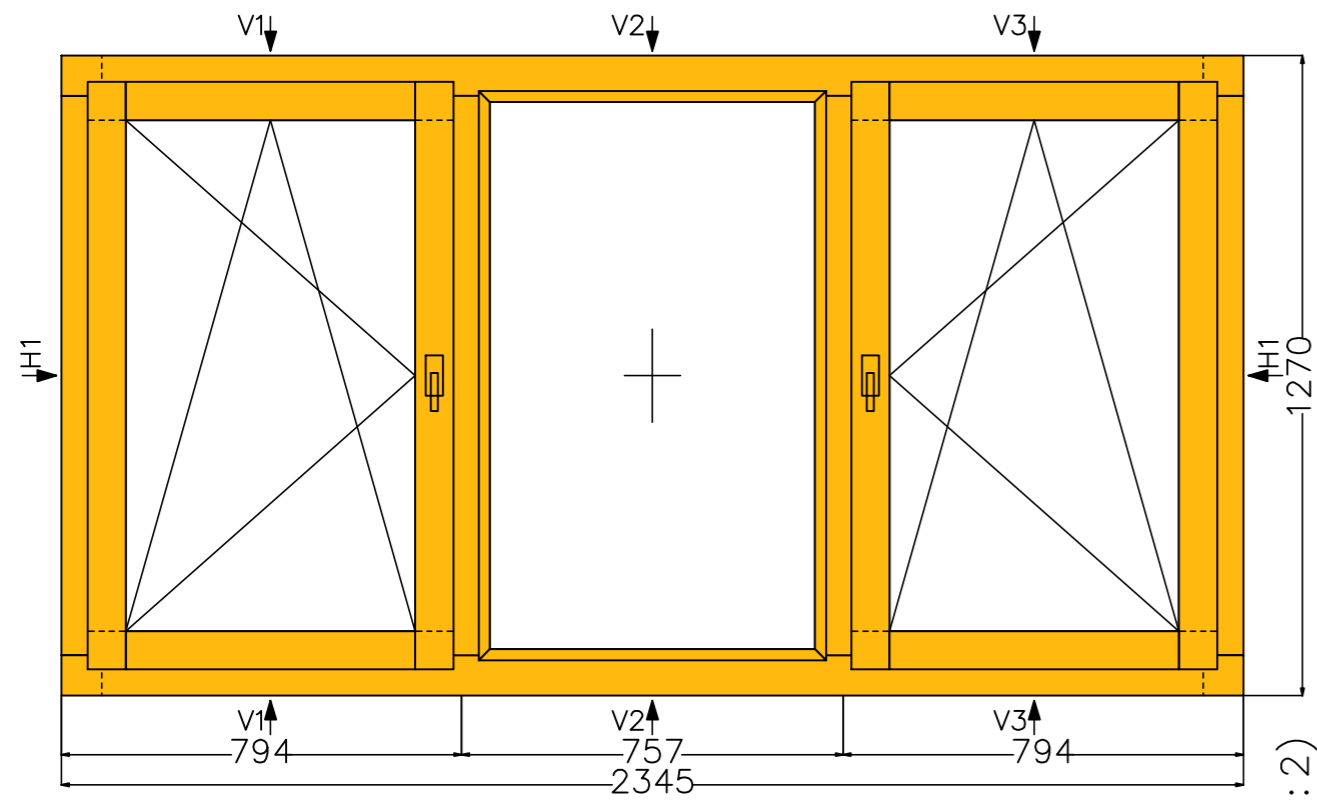
Section H1 (scale 1:2)



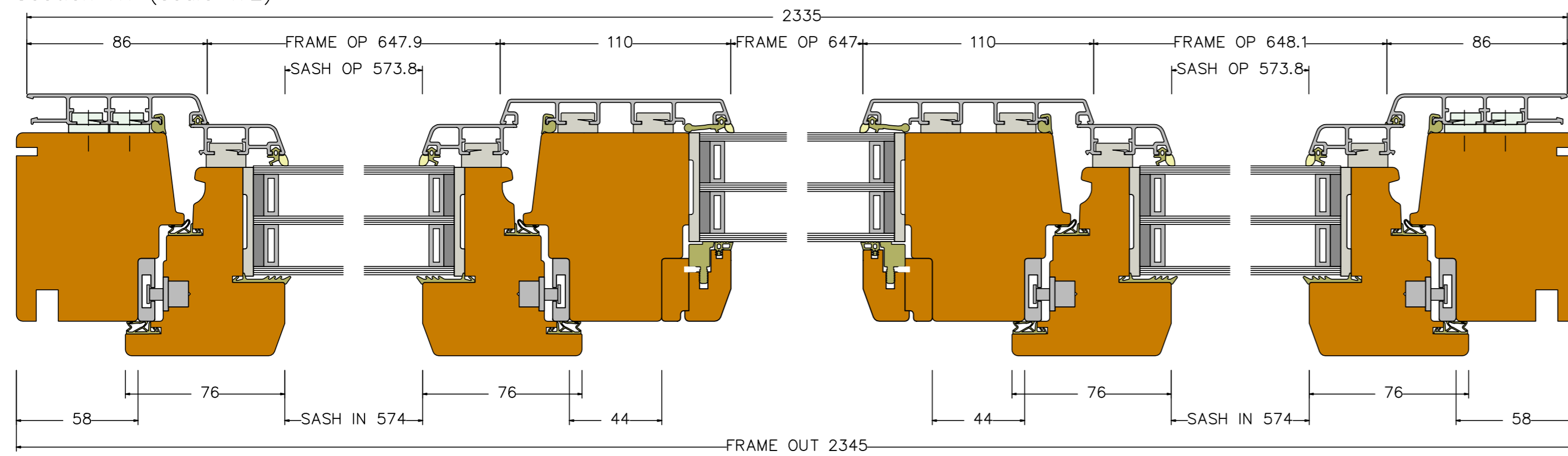
ThermaDura e-MOD Thermally Efficient Window/Door Modules	drawn	Date	Name
		30.05.2020	Rampe
Description: DesignLine e-MOD D-105 Tilt-turn timber-aluminium window			
<b>ThermaDura</b>	These drawings are protected by copyright and only to be used in conjunction with the supply of ThermaDura products. This drawing is an instrument of service and is provided for informational use only. © 2019 ThermaDura Ltd		



View from inside (scale 1:15)



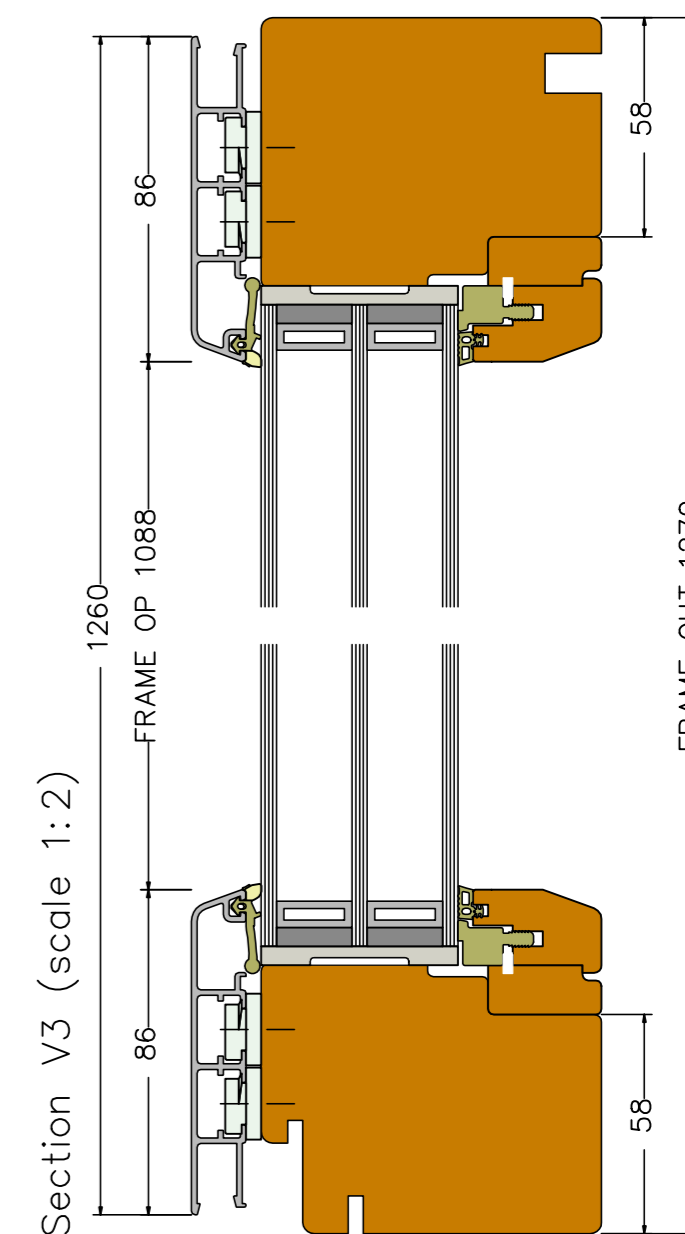
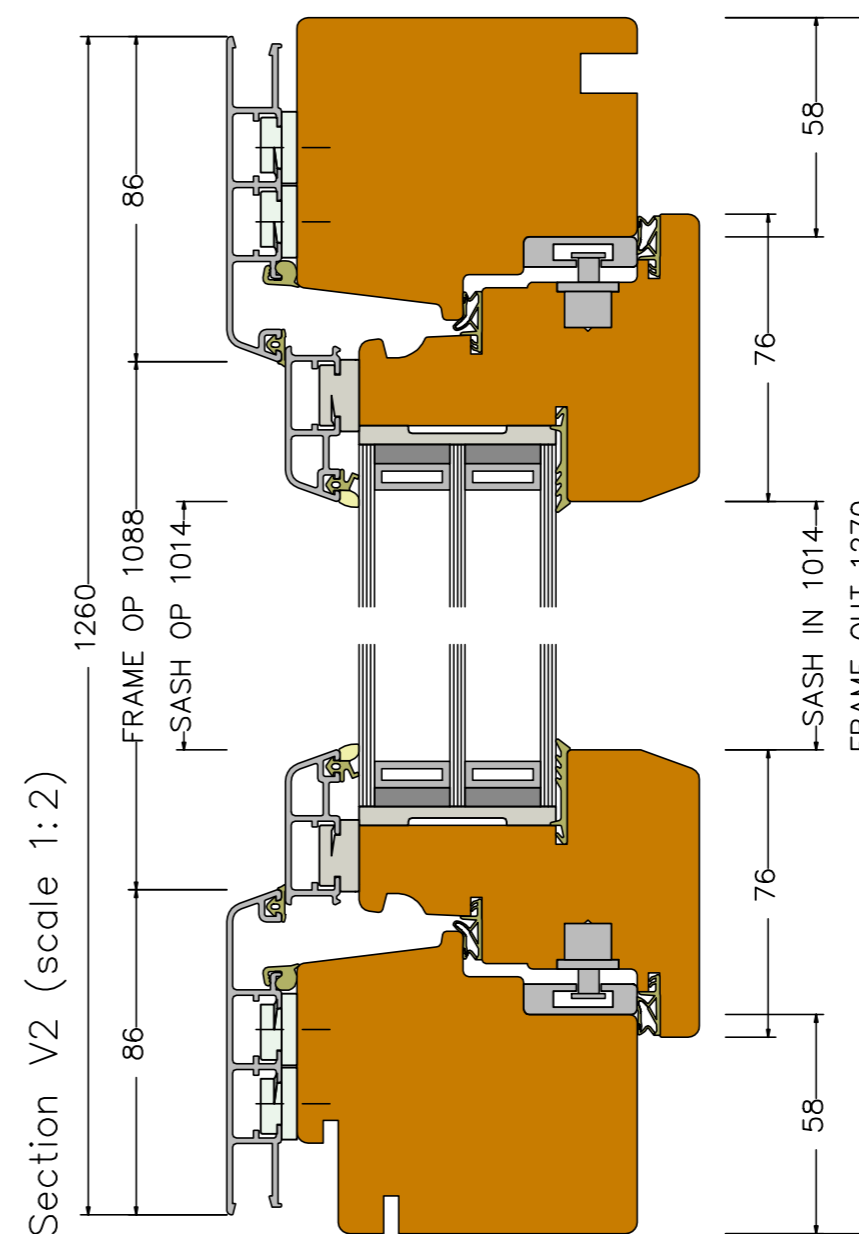
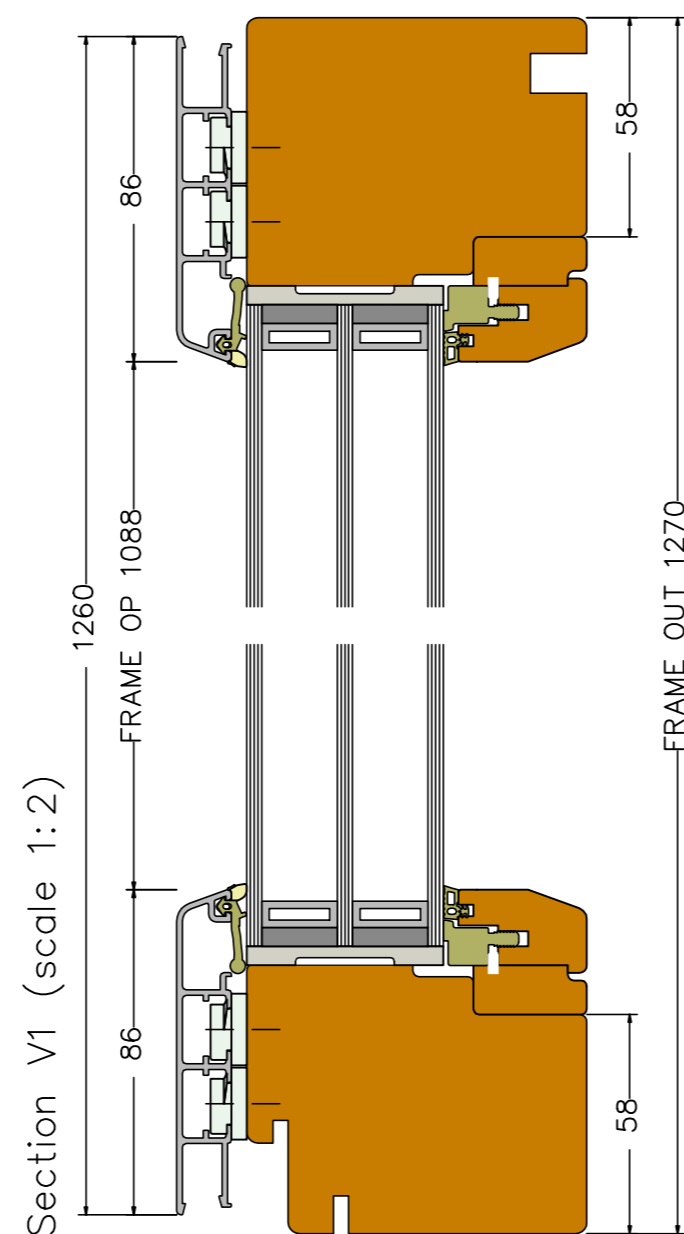
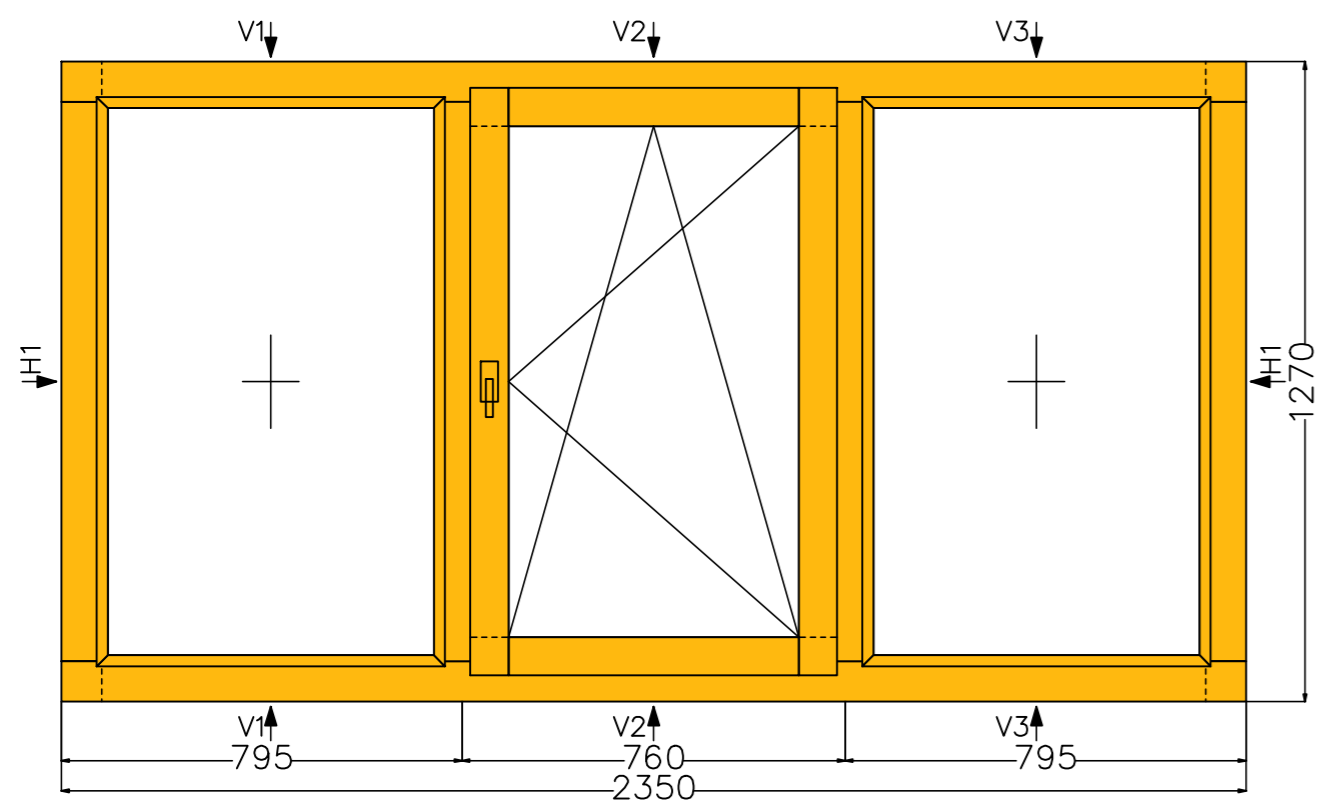
Section H1 (scale 1:2)



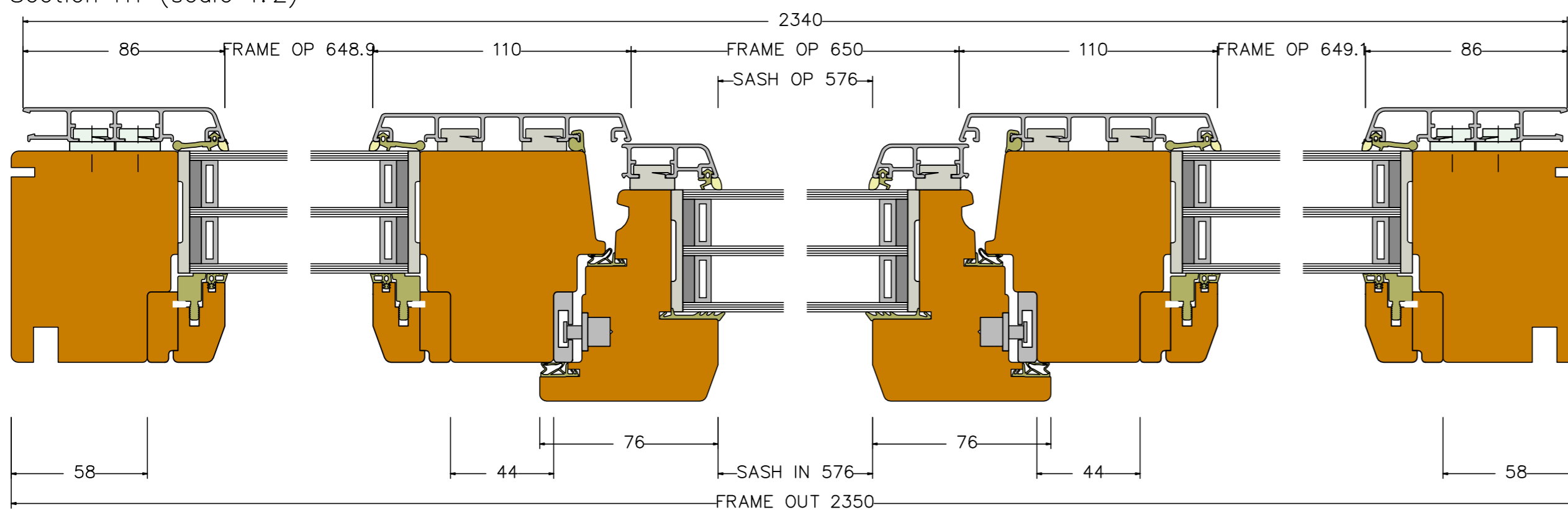
ThermaDura e-MOD Thermally Efficient Window/Door Modules	drawn	Date	Name
		30.05.2020	Rampe
Description: DesignLine e-MOD D-106 Tilt-turn timber-aluminium window			
<b>ThermaDura</b>	These drawings are protected by copyright and only to be used in conjunction with the supply of ThermaDura products. This drawing is an instrument of service and is provided for informational use only. © 2019 ThermaDura Ltd		



View from inside (scale 1:15)

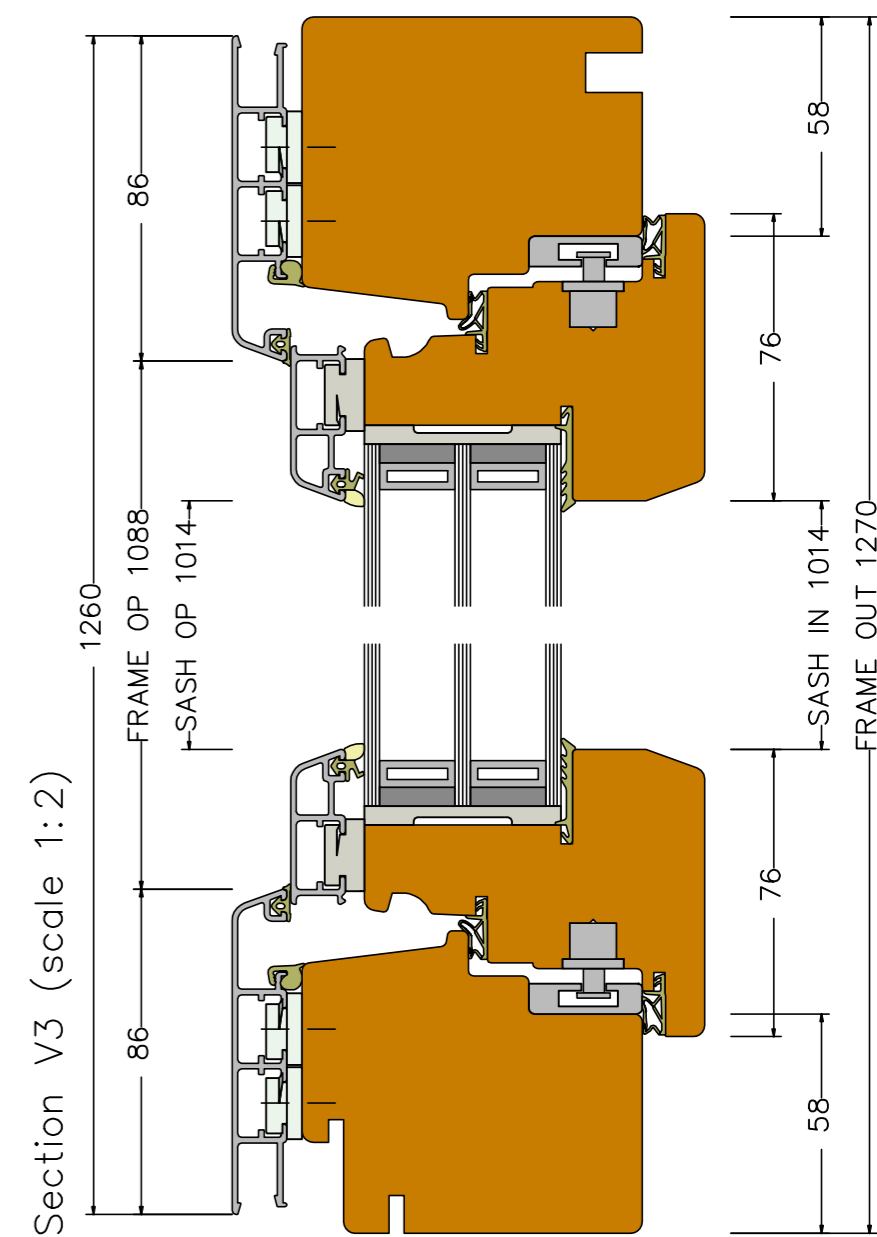
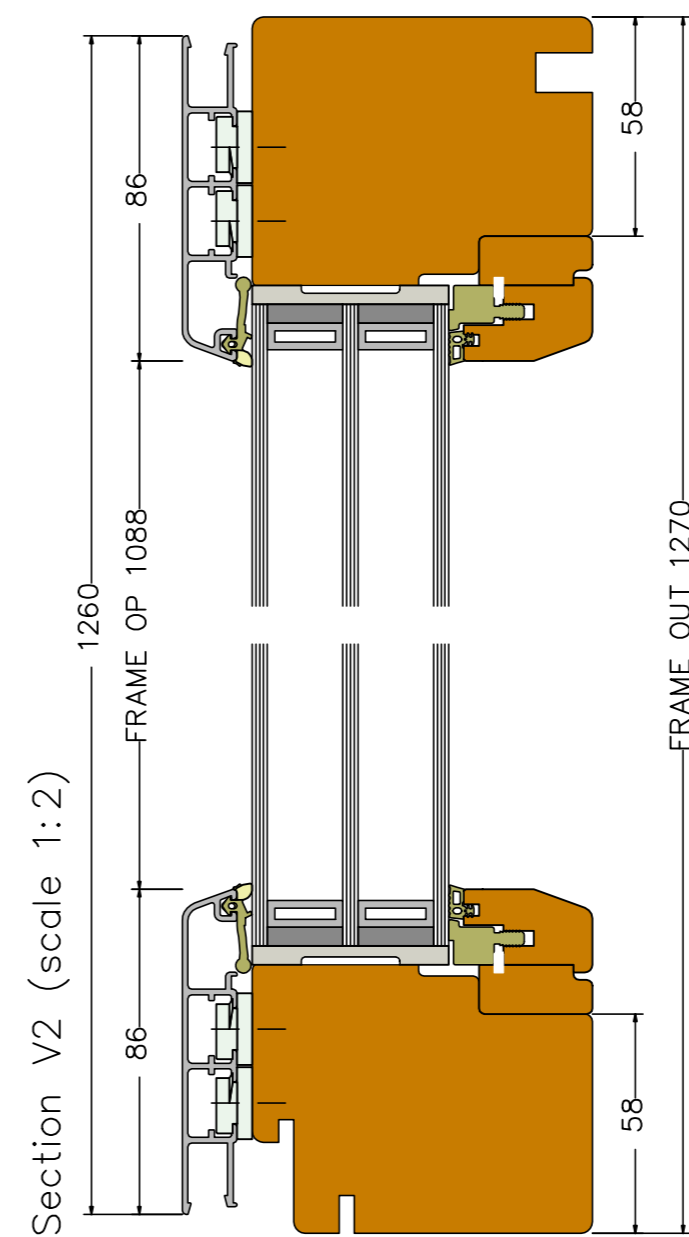
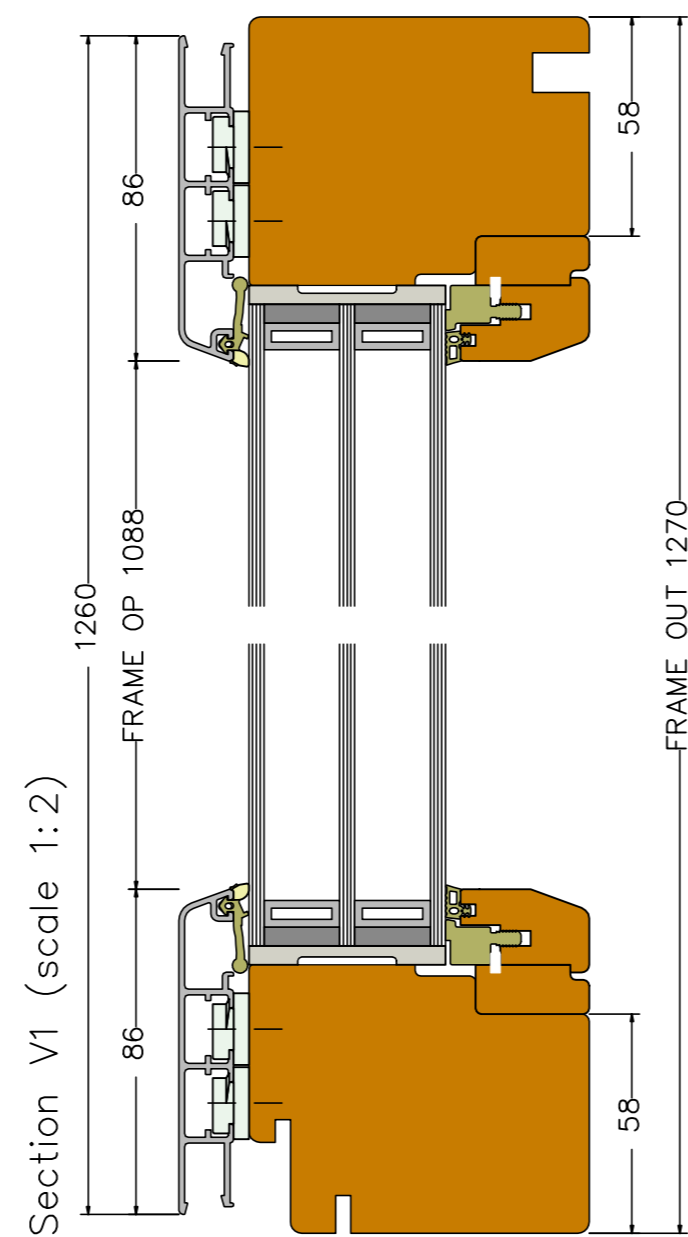
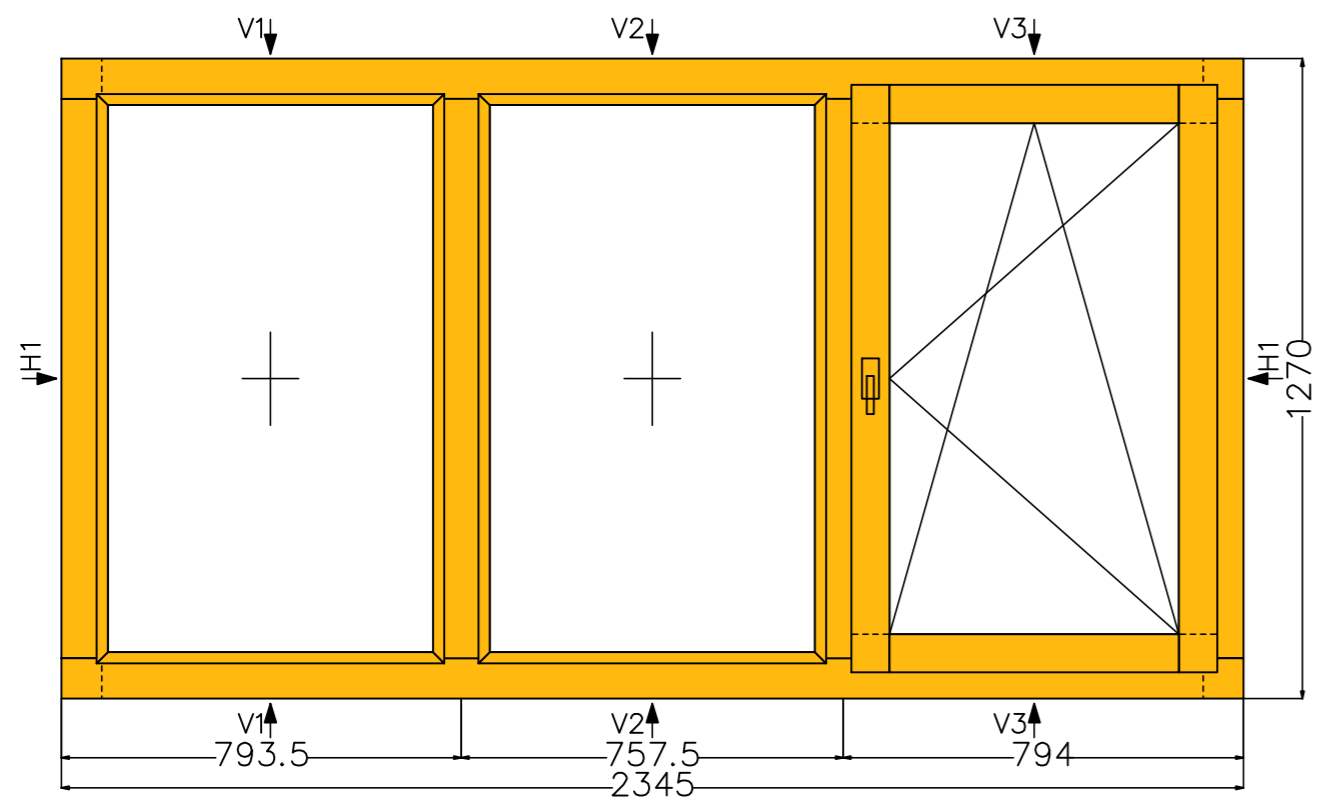


Section H1 (scale 1:2)

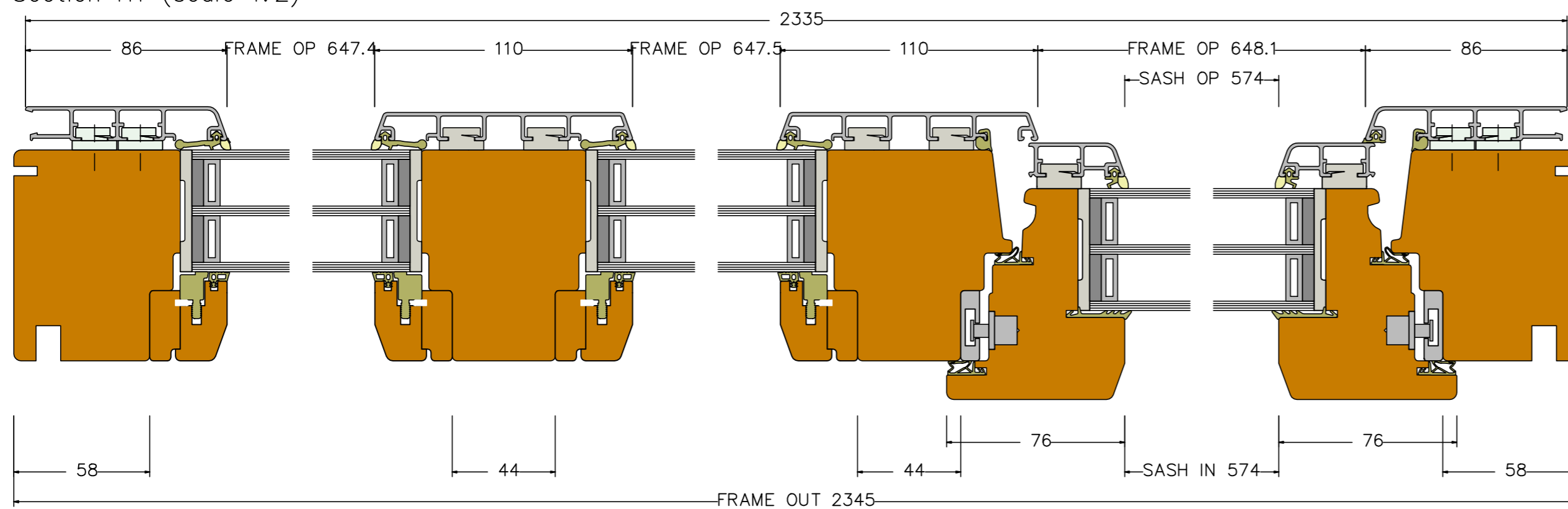


ThermaDura e-MOD Thermally Efficient Window/Door Modules	drawn	Date	Name
		30.05.2020	Rampe
Description: DesignLine e-MOD D-108 Timber-aluminium tilt-turn window			
<b>ThermaDura</b>		These drawings are protected by copyright and only to be used in conjunction with the supply of ThermaDura products. This drawing is an instrument of service and is provided for informational use only. © 2019 ThermaDura Ltd	

View from inside (scale 1:15)

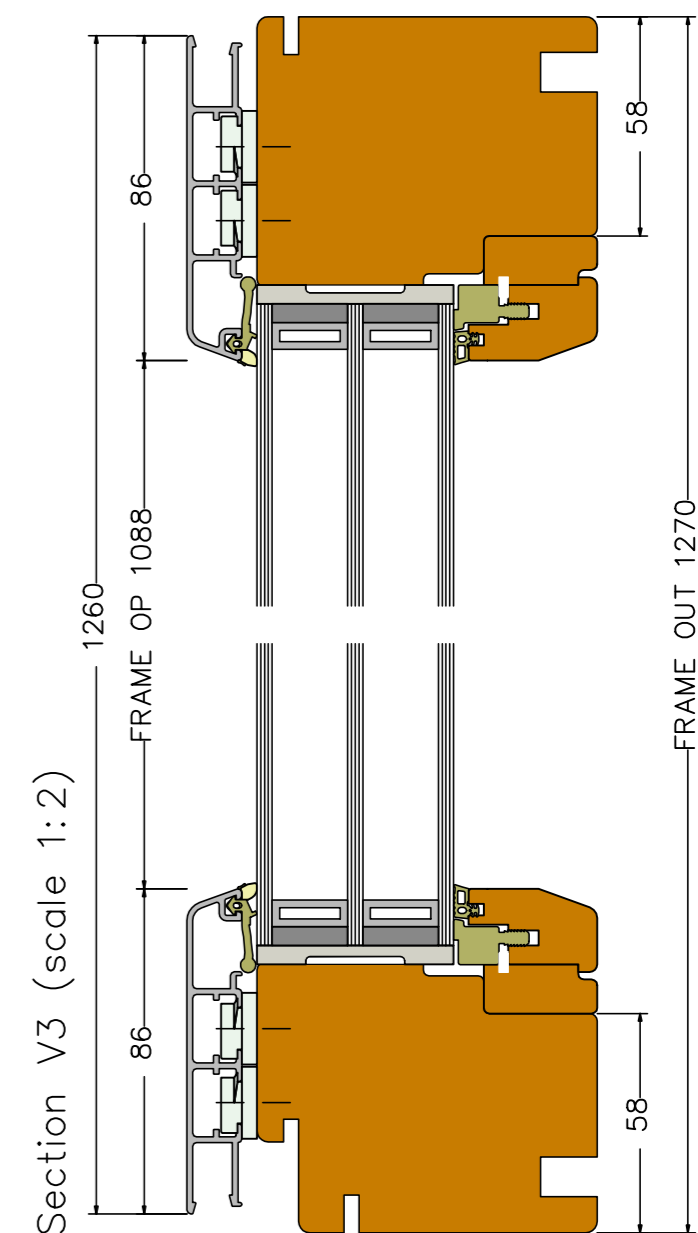
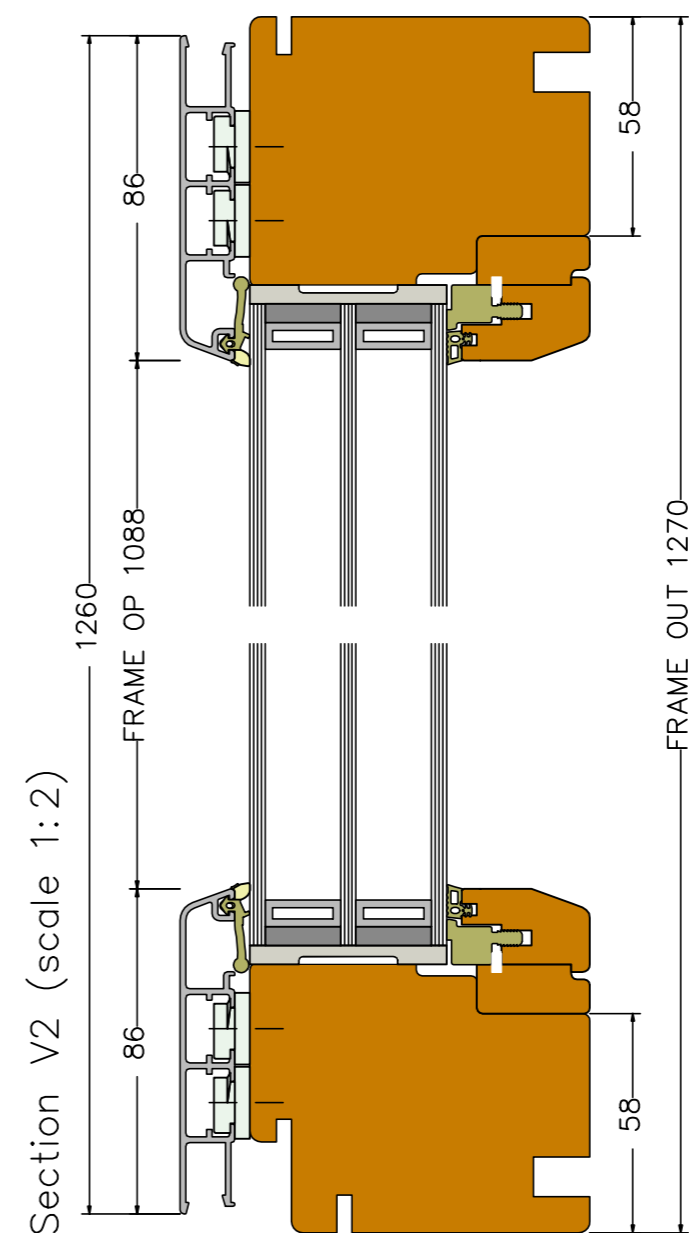
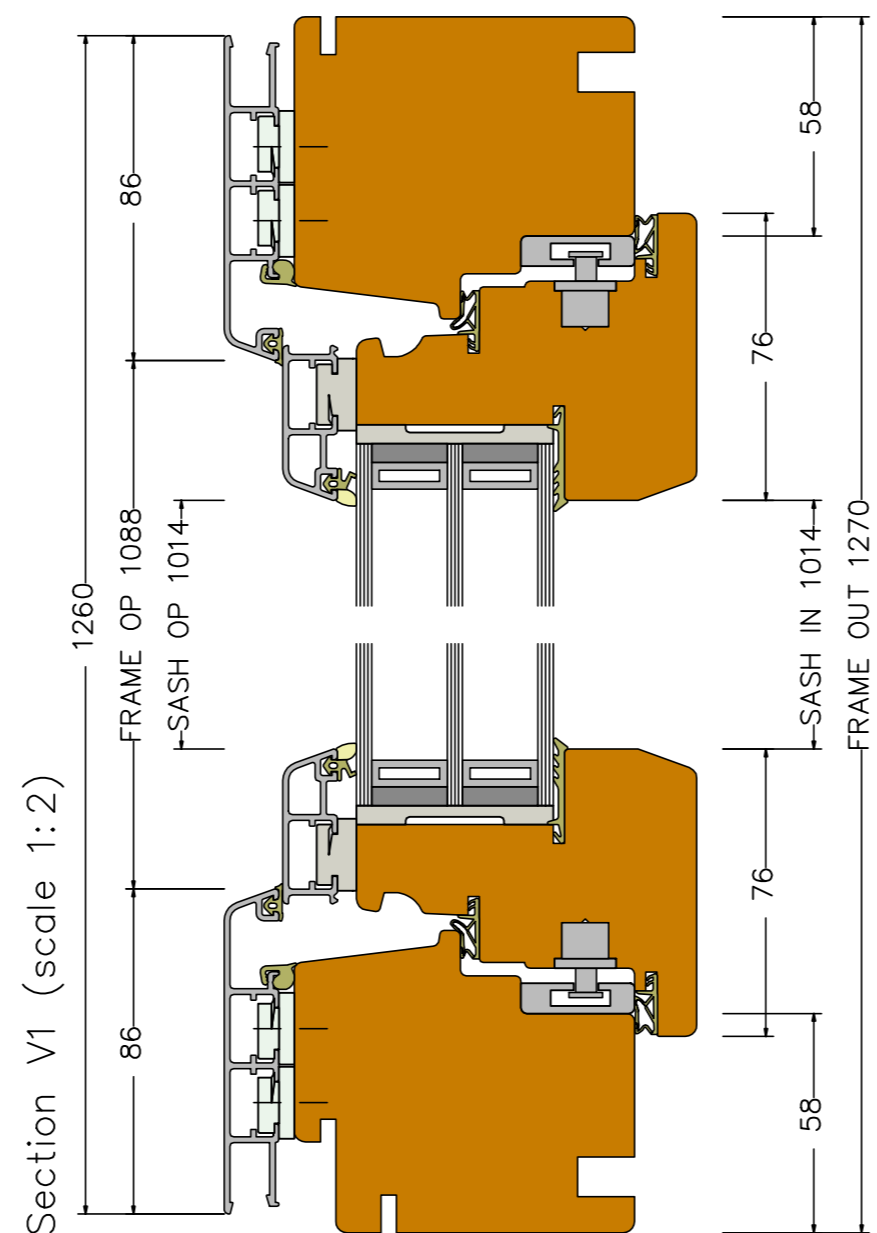
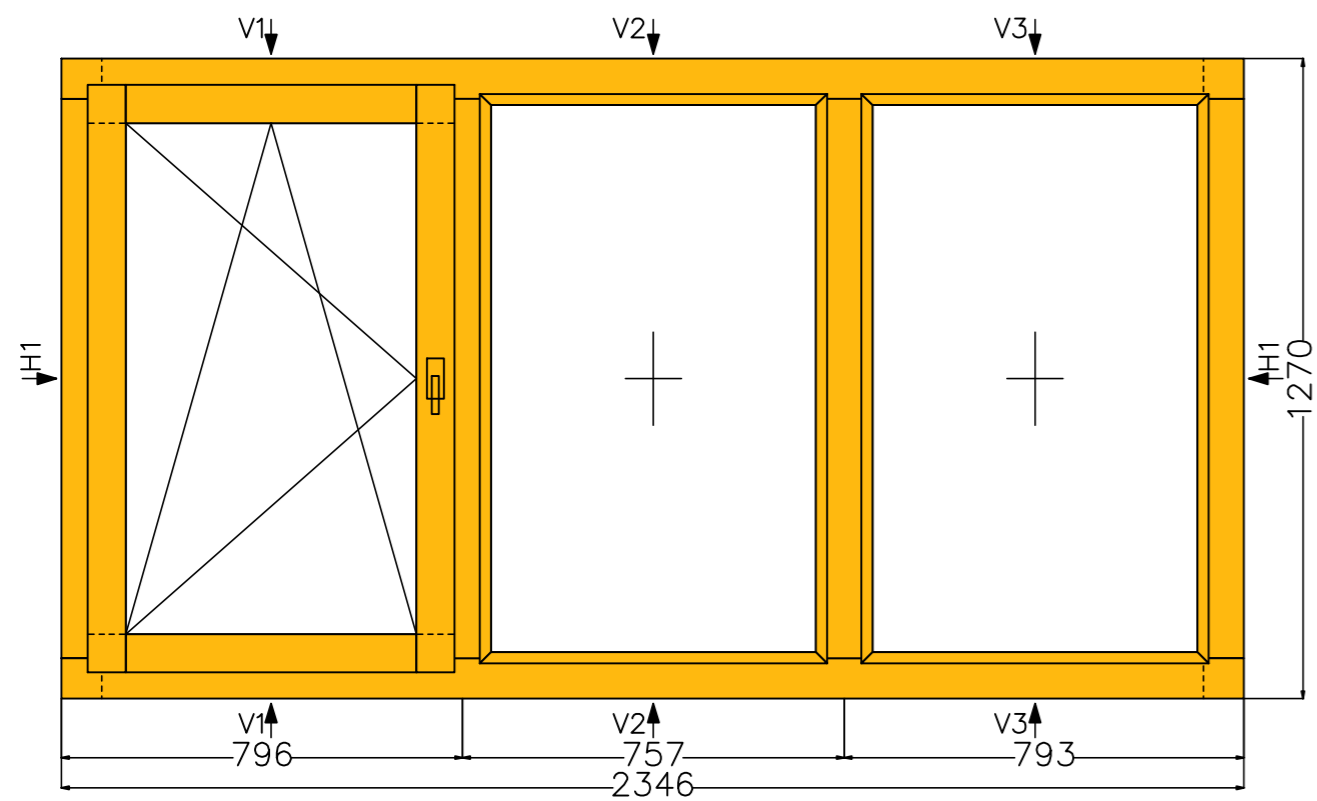


Section H1 (scale 1:2)

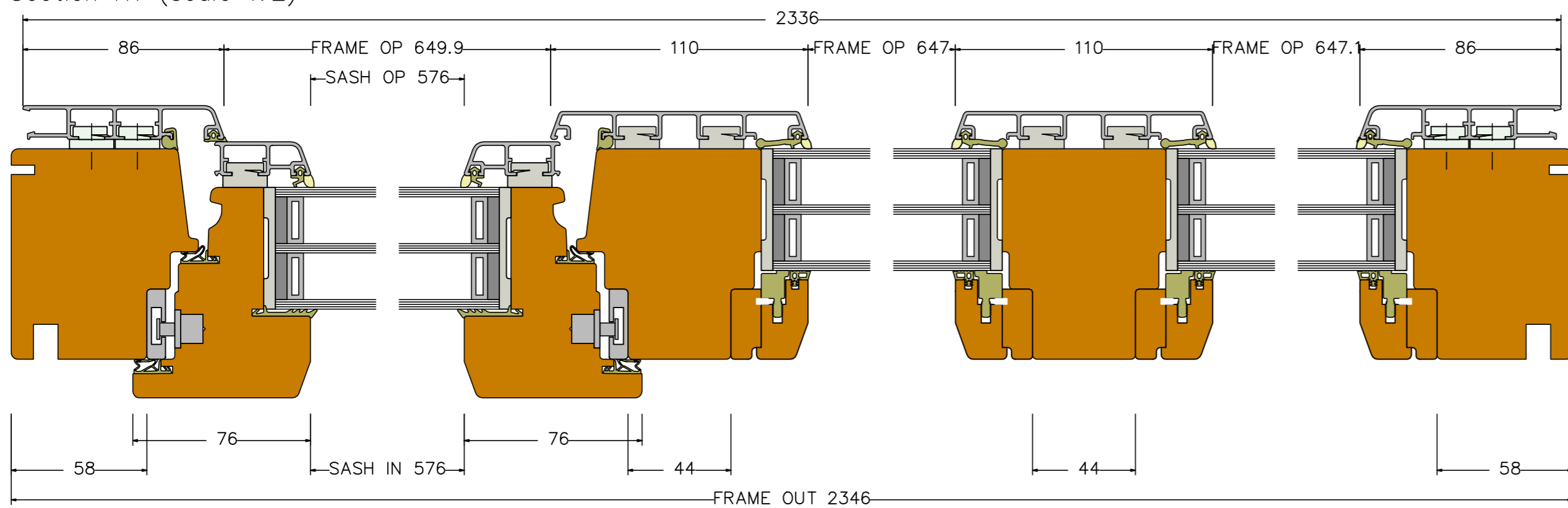


ThermaDura e-MOD Thermally Efficient Window/Door Modules	drawn	Date	Name
		30.05.2020	Rampe
Description: DesignLine e-MOD D-109 Tilt-turn timber-aluminium window			
<b>ThermaDura</b>	These drawings are protected by copyright and only to be used in conjunction with the supply of ThermaDura products. This drawing is an instrument of service and is provided for informational use only. © 2019 ThermaDura Ltd		

View from inside (scale 1:15)

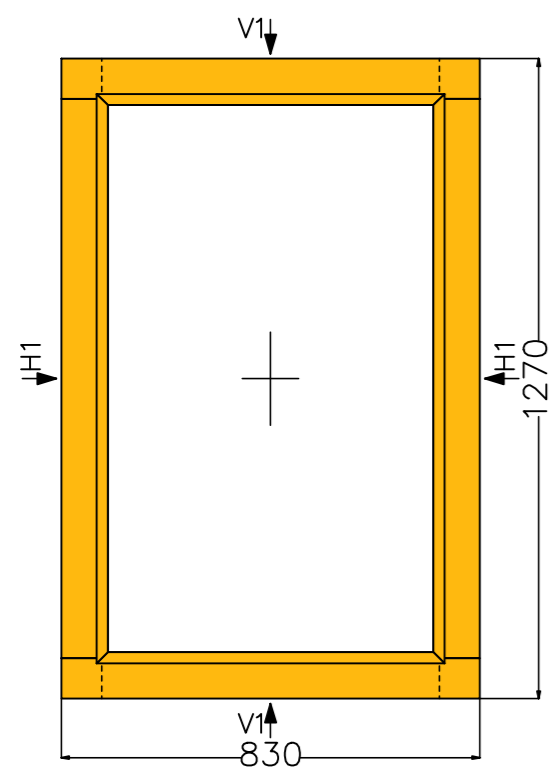


Section H1 (scale 1:2)

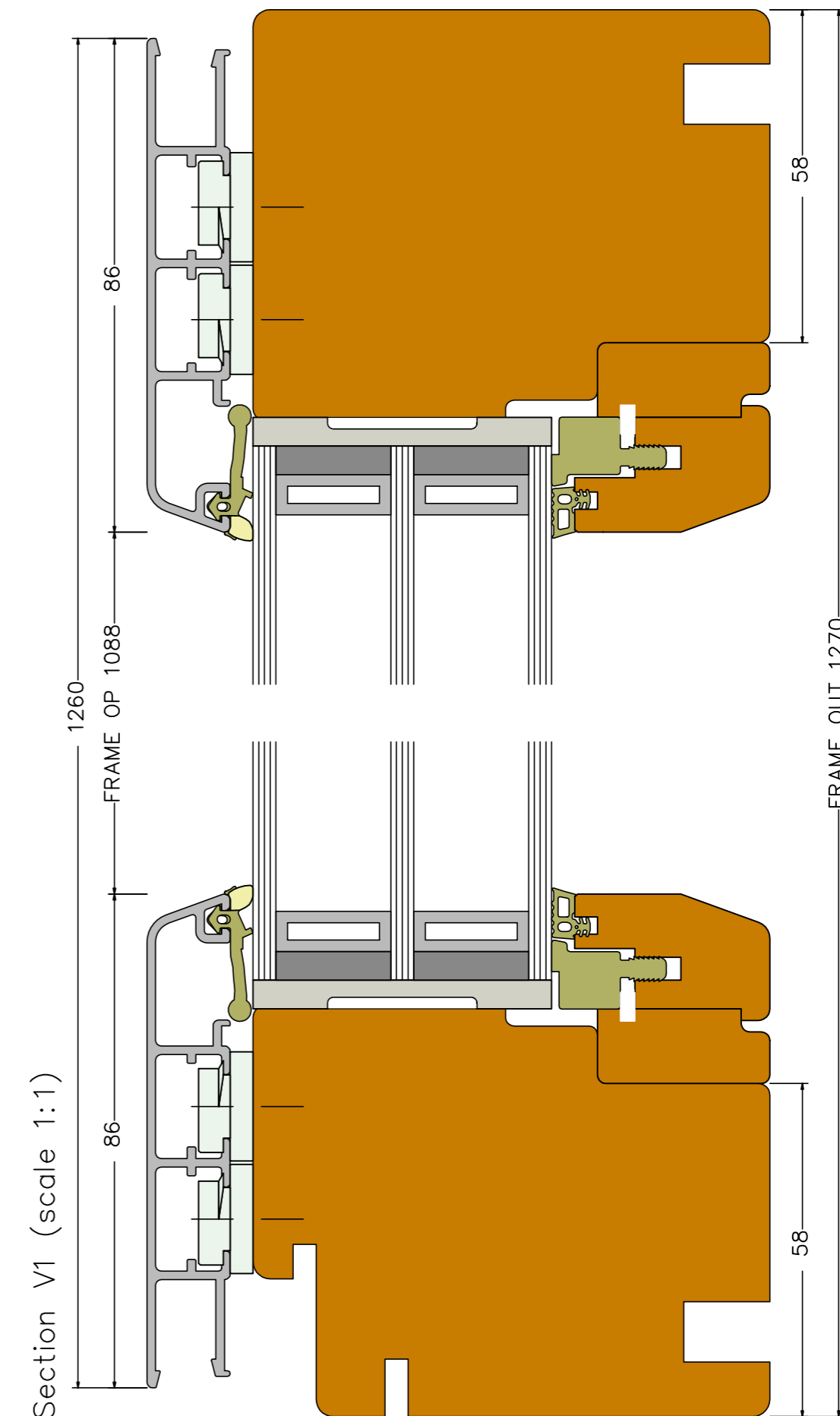
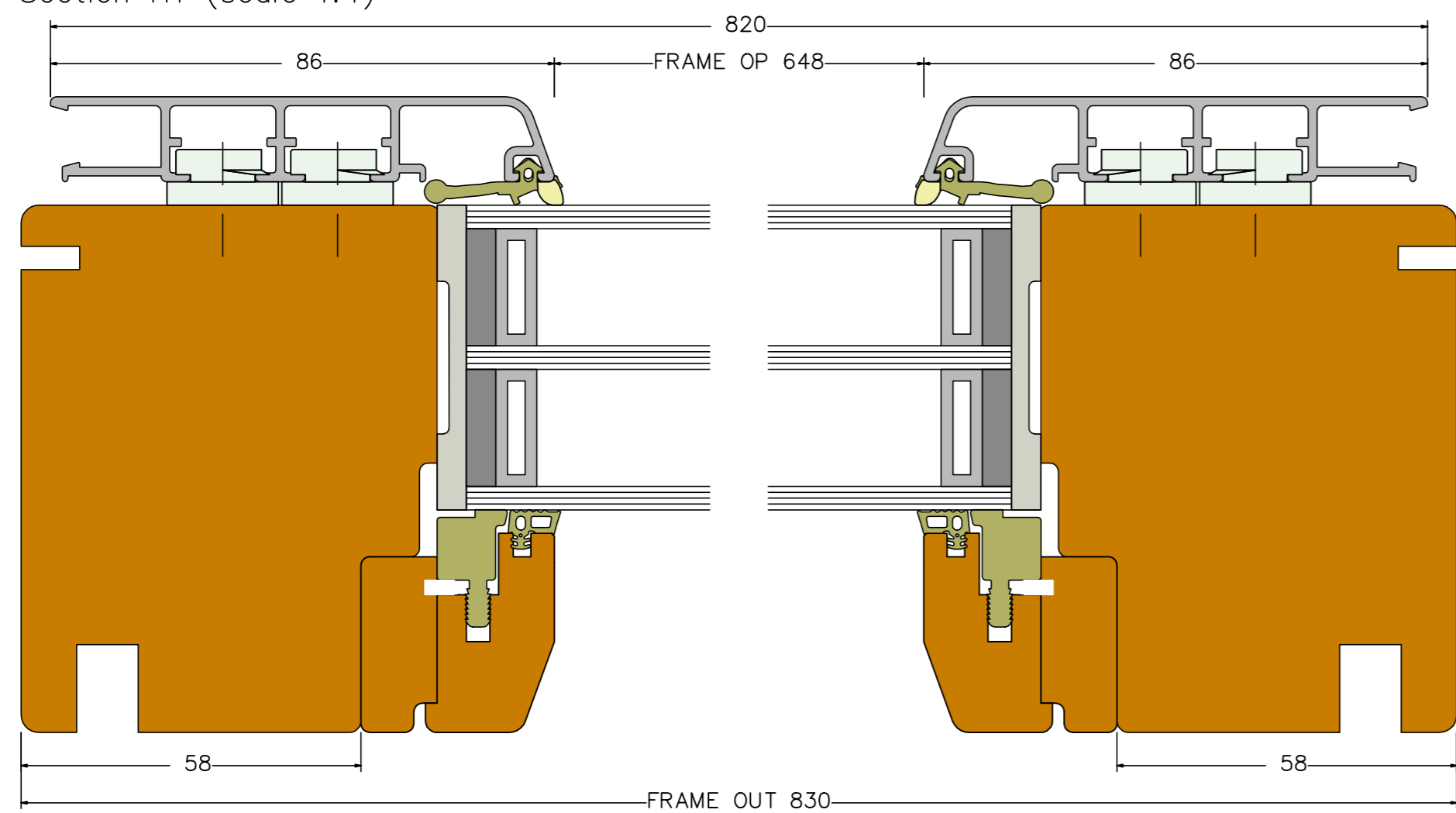


ThermaDura e-MOD Thermally Efficient Window/Door Modules	drawn	Date	Name
		30.05.2020	Rampe
Description: DesignLine e-MOD D-110 Tilt-turn timber-aluminium window			
<b>ThermaDura</b>	These drawings are protected by copyright and only to be used in conjunction with the supply of Thermadura products. This drawing is an instrument of service and is provided for informational use only. © 2019 Thermadura Ltd		

View from inside (scale 1:15)

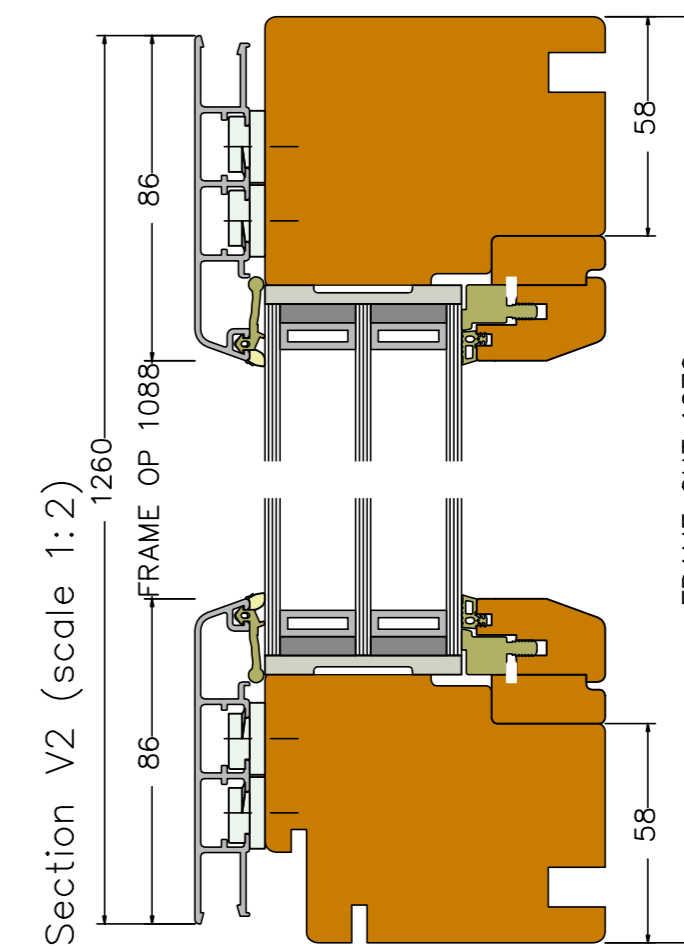
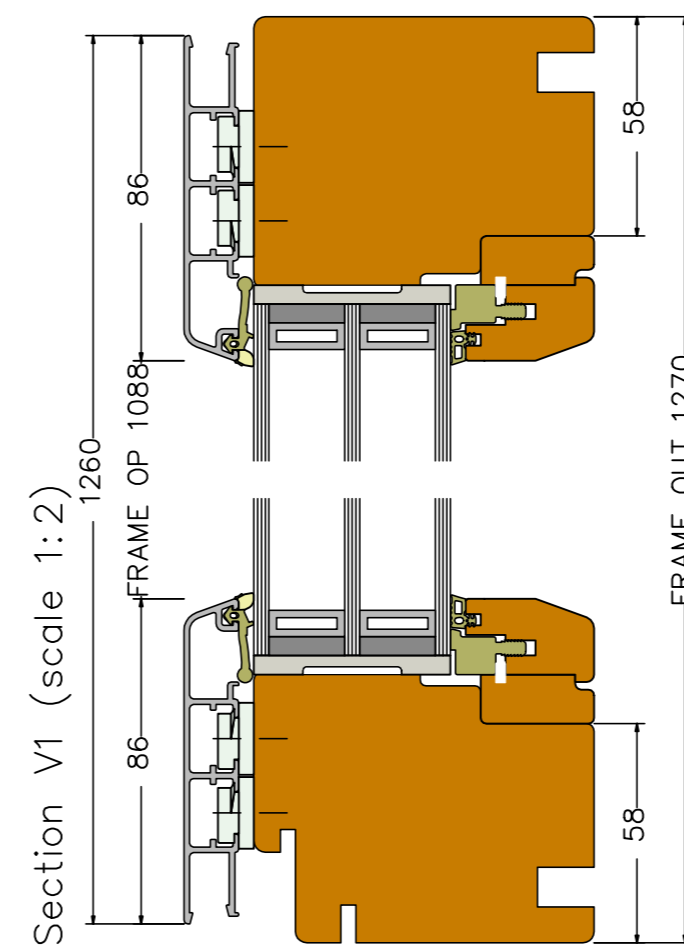
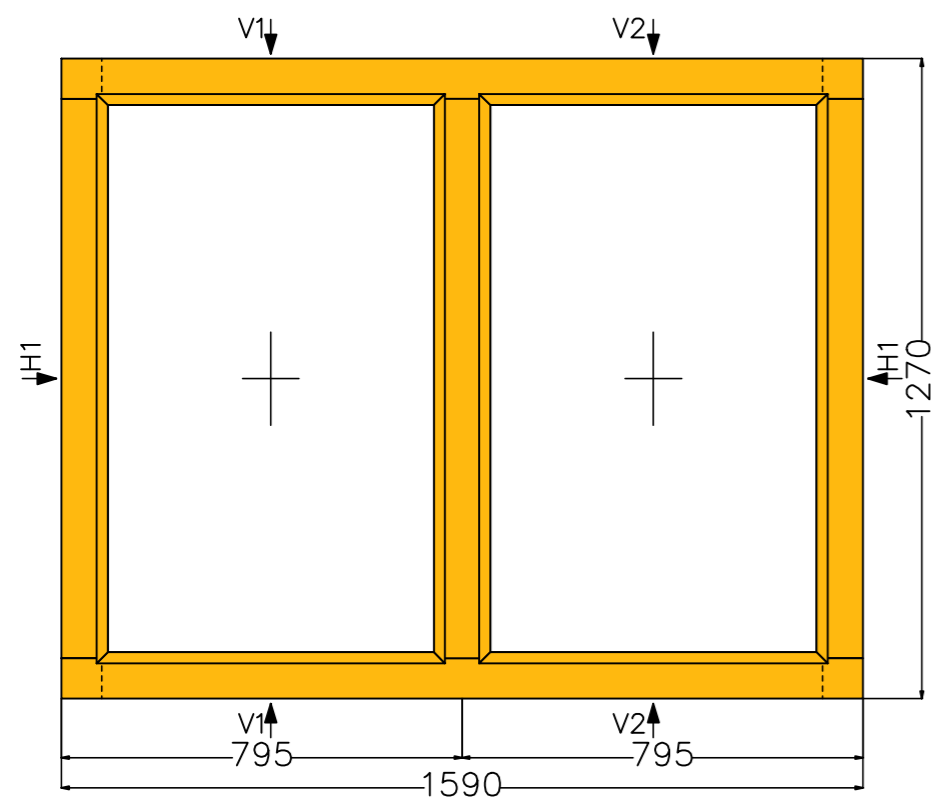


Section H1 (scale 1:1)

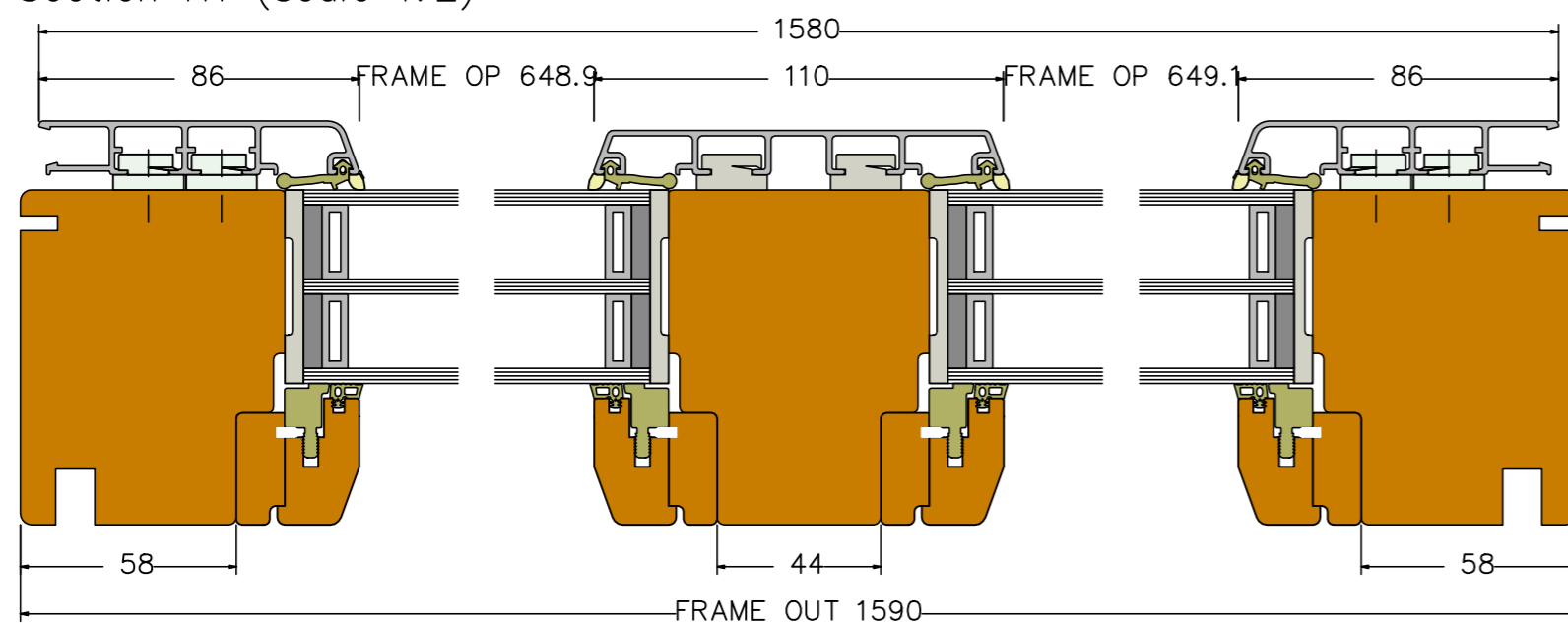


ThermaDura e-MOD Thermally Efficient Window/Door Modules	drawn	Date	Name
		30.05.2020	Rampe
Description: DesignLine e-MOD D-111 Fixed timber-aluminium window			
<b>ThermaDura</b>	These drawings are protected by copyright and only to be used in conjunction with the supply of Thermadura products. This drawing is an instrument of service and is provided for informational use only. © 2019 ThermaDura Ltd		

View from inside (scale 1:15)

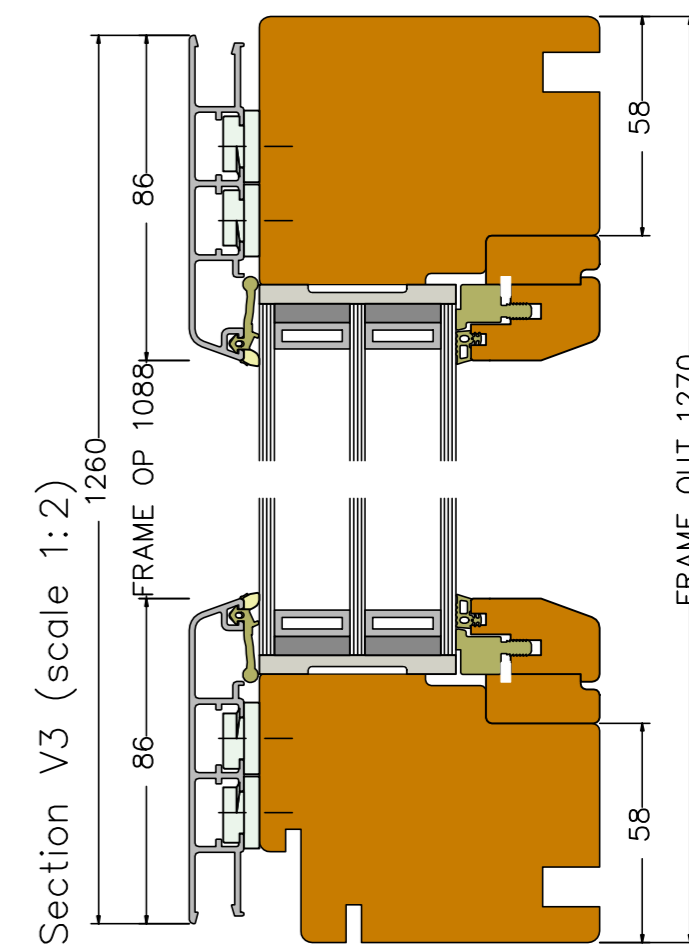
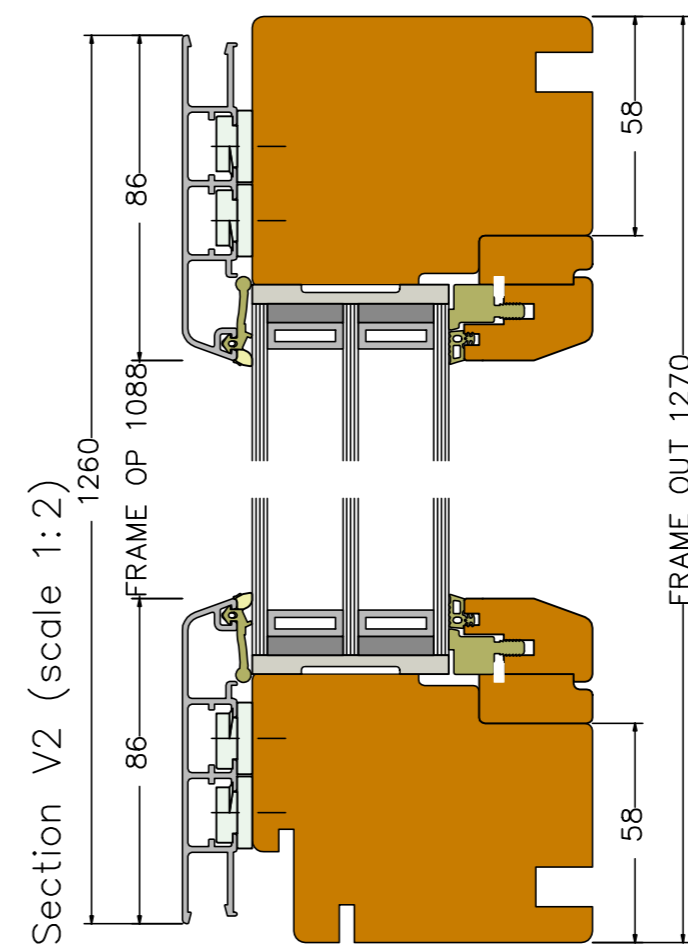
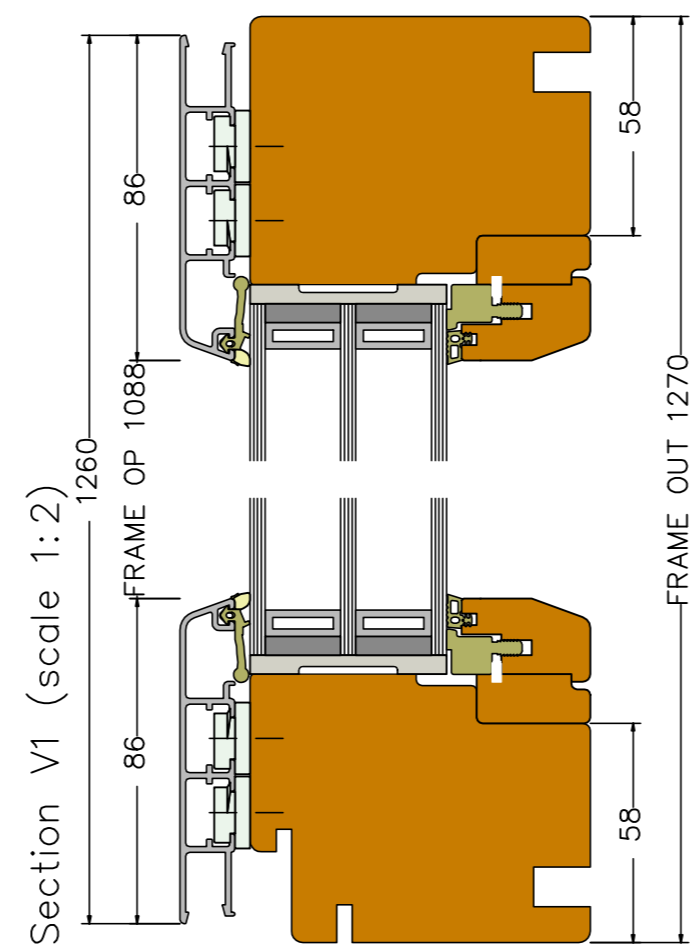
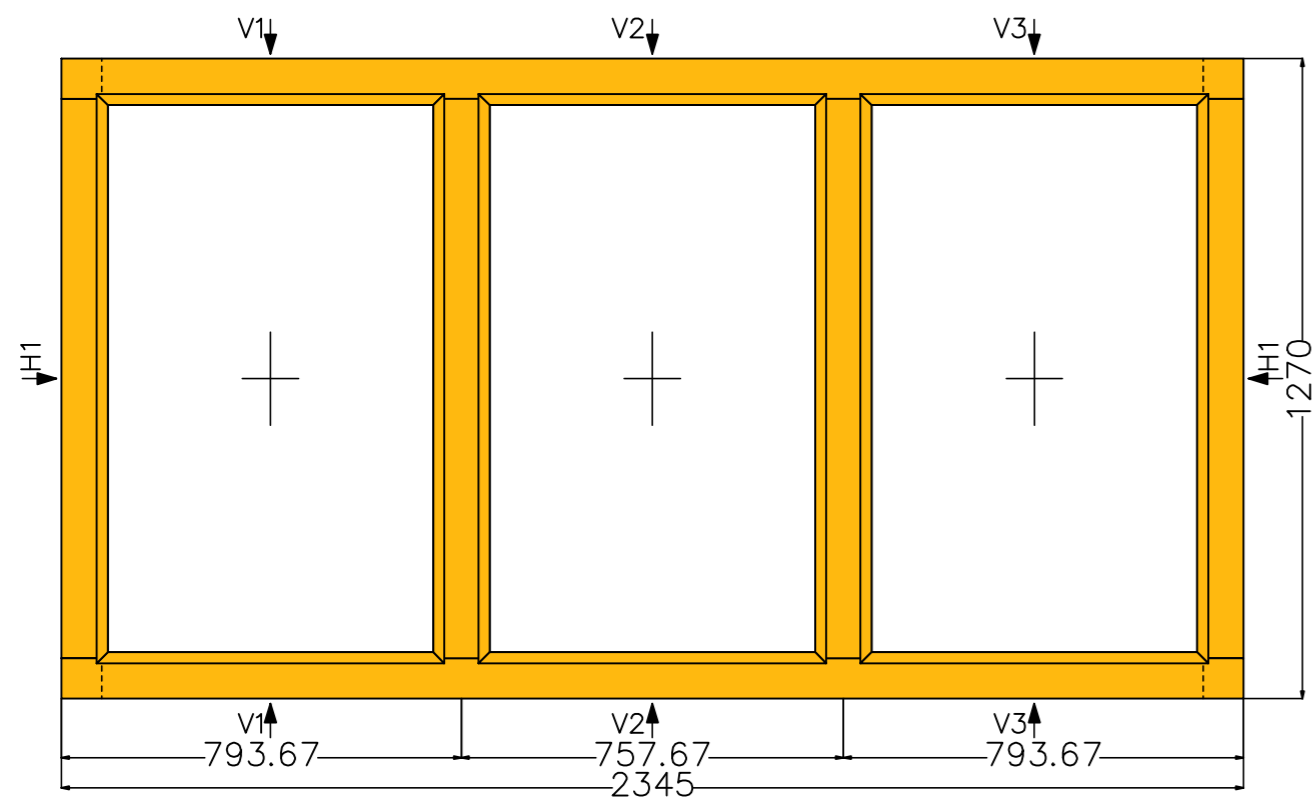


Section H1 (scale 1:2)

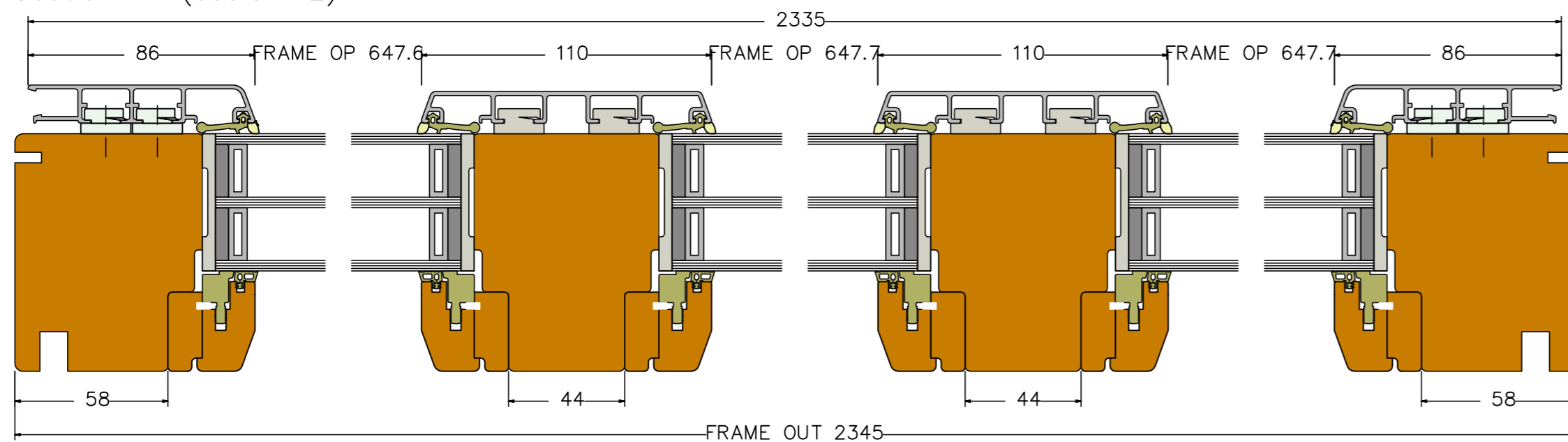


ThermaDura e-MOD Thermally Efficient Window/Door Modules	drawn	Date	Name
		30.05.2020	Rampe
Description: DesignLine e-MOD D-112 Fixed timber-aluminium window			
<b>ThermaDura</b>	These drawings are protected by copyright and only to be used in conjunction with the supply of Thermadura products. This drawing is an instrument of service and is provided for informational use only. © 2019 ThermaDura Ltd		

View from inside (scale 1:15)



Section H1 (scale 1:2)

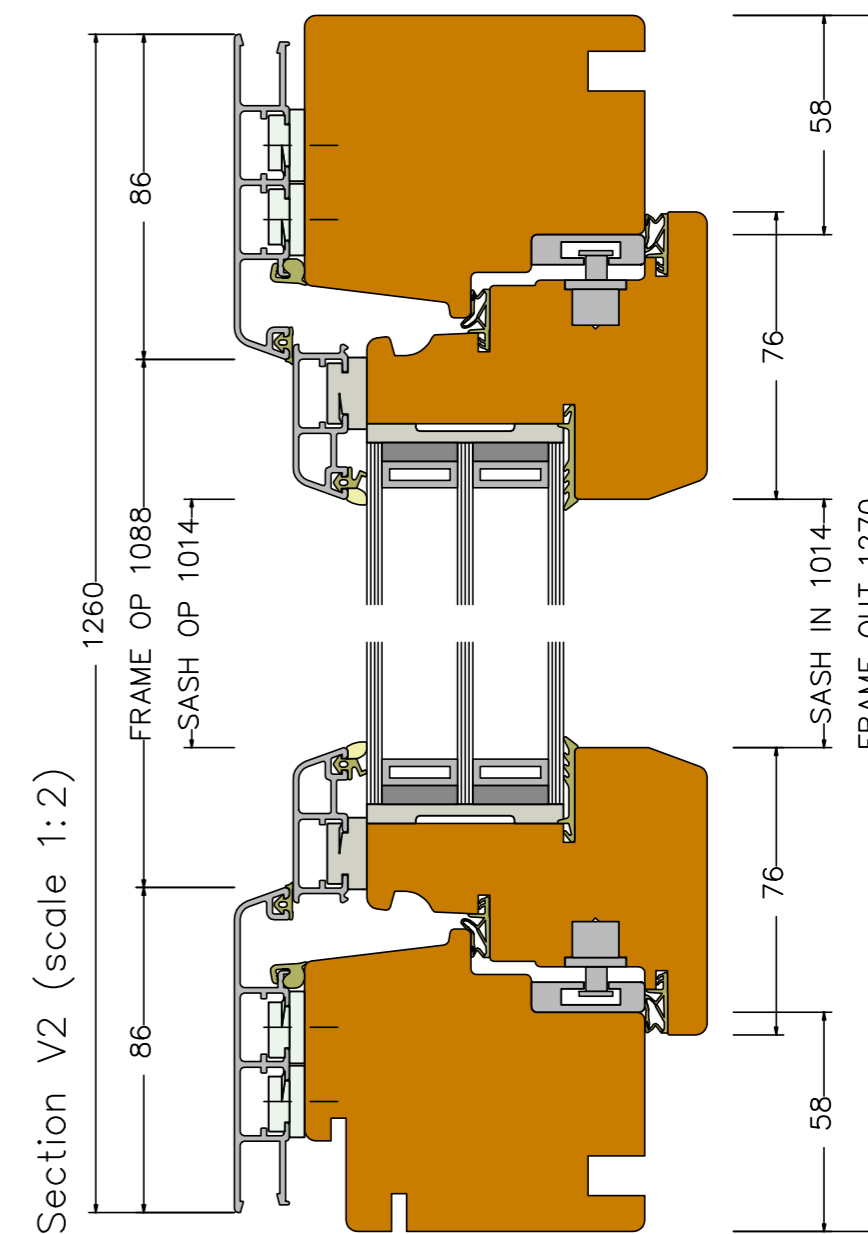
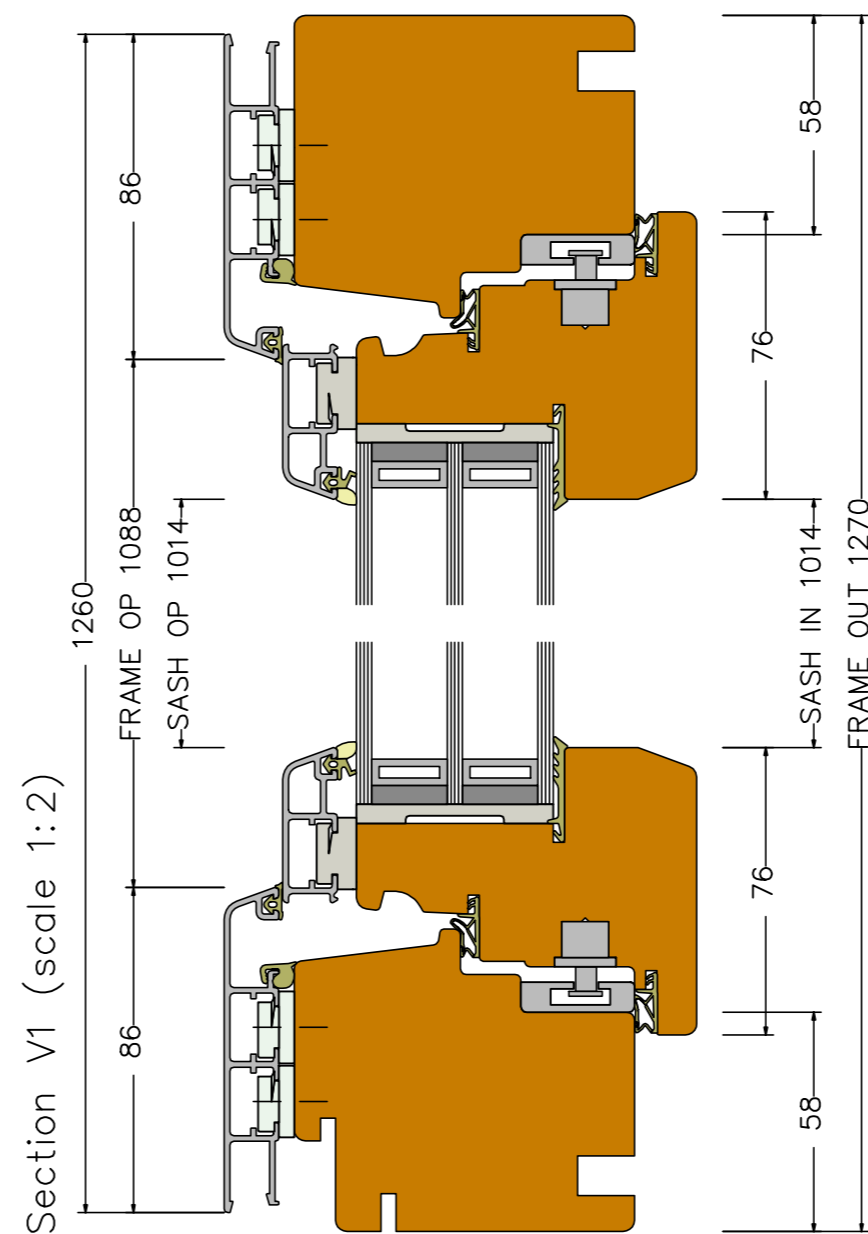
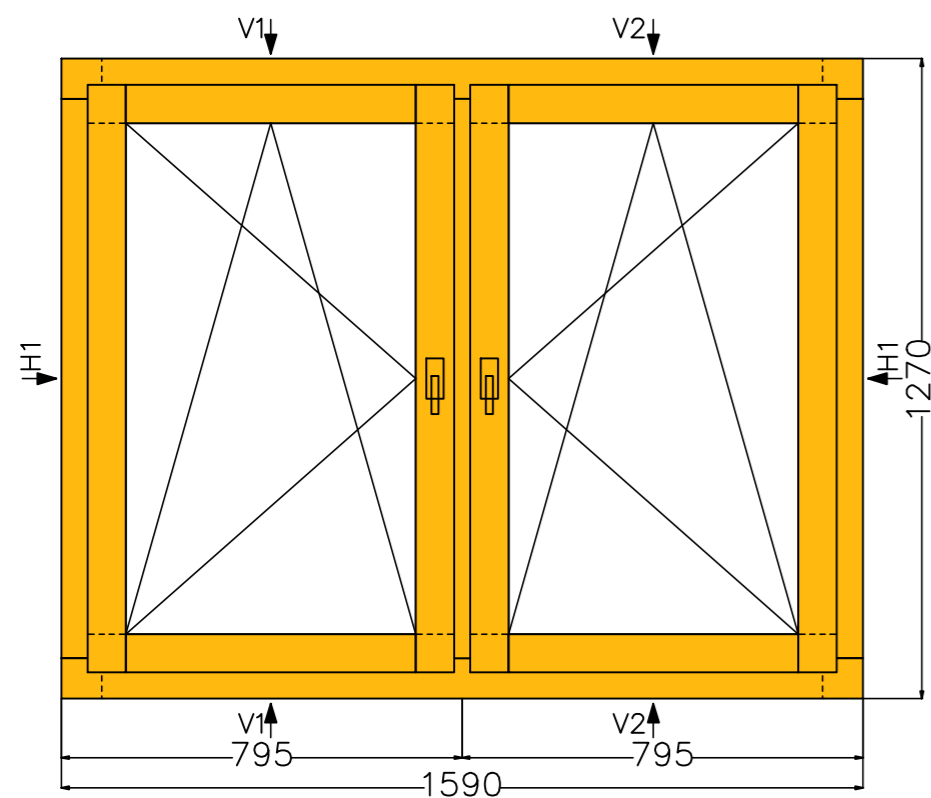


ThermaDura e-MOD Thermally Efficient Window/Door Modules	drawn	Date	Name
		30.05.2020	Rampe
Description: DesignLine e-MOD D-113 Fixed timber-aluminium window			
<b>ThermaDura</b>	These drawings are protected by copyright and only to be used in conjunction with the supply of ThermaDura products. This drawing is an instrument of service and is provided for informational use only. © 2019 ThermaDura Ltd		

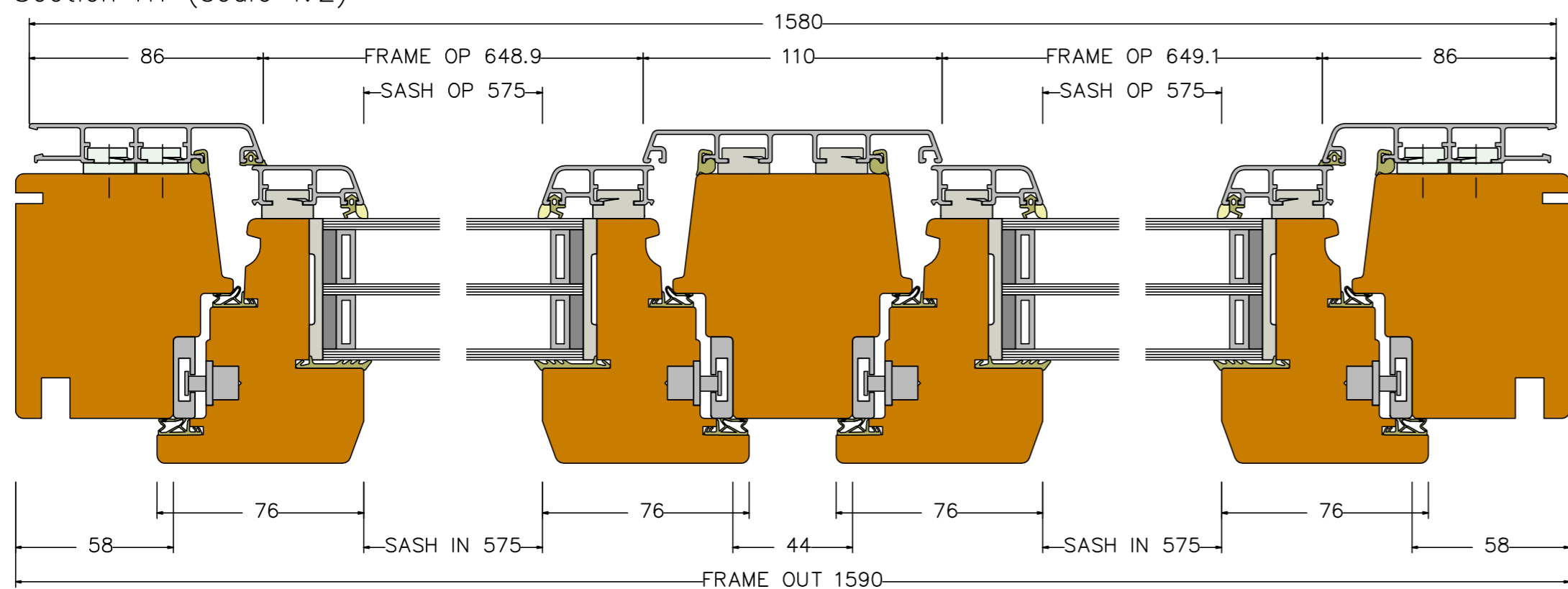




View from inside (scale 1:15)

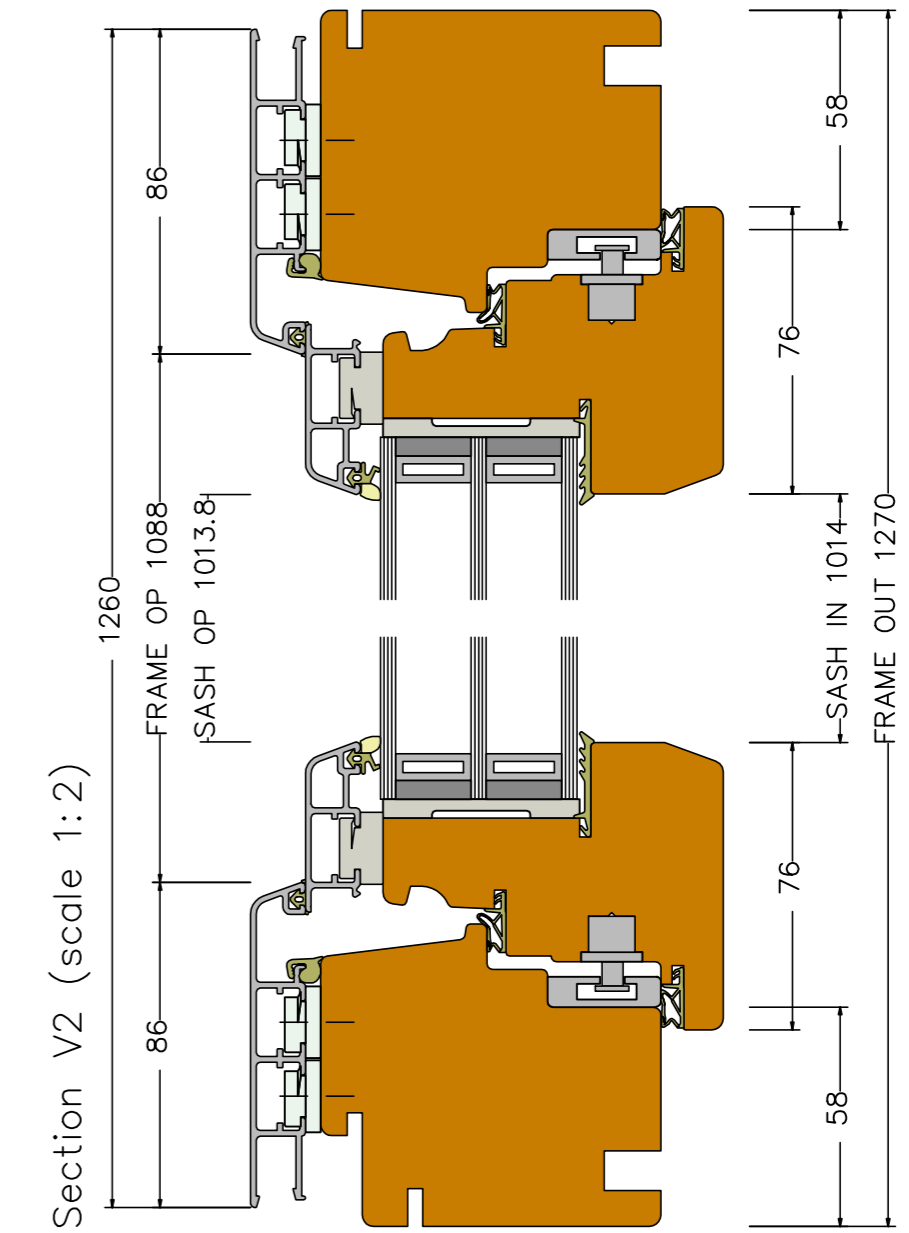
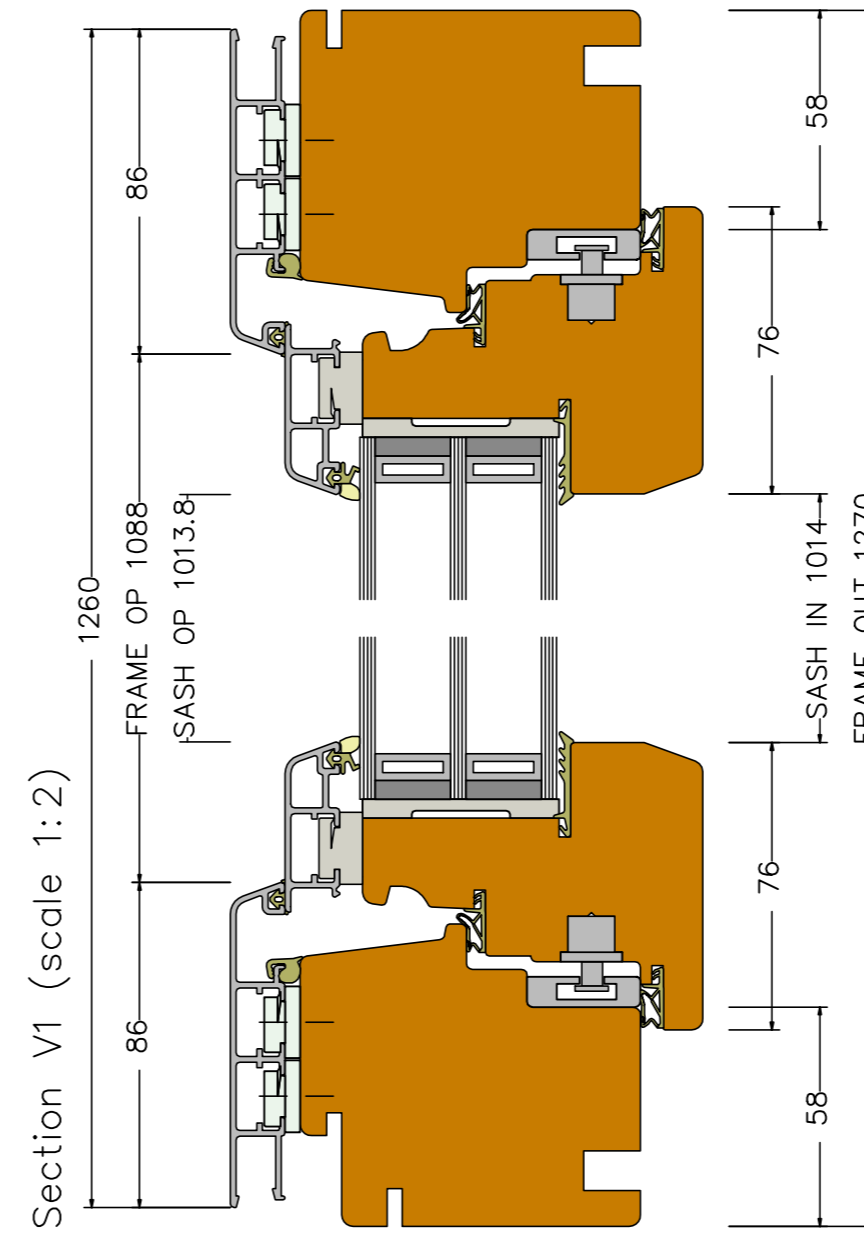
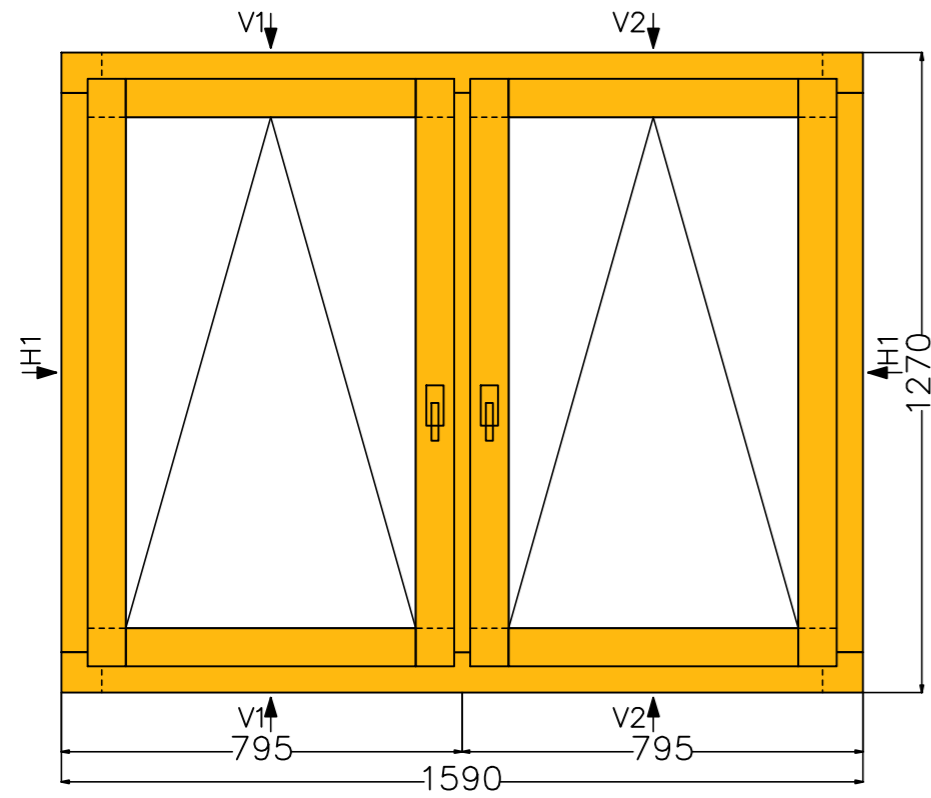


Section H1 (scale 1:2)

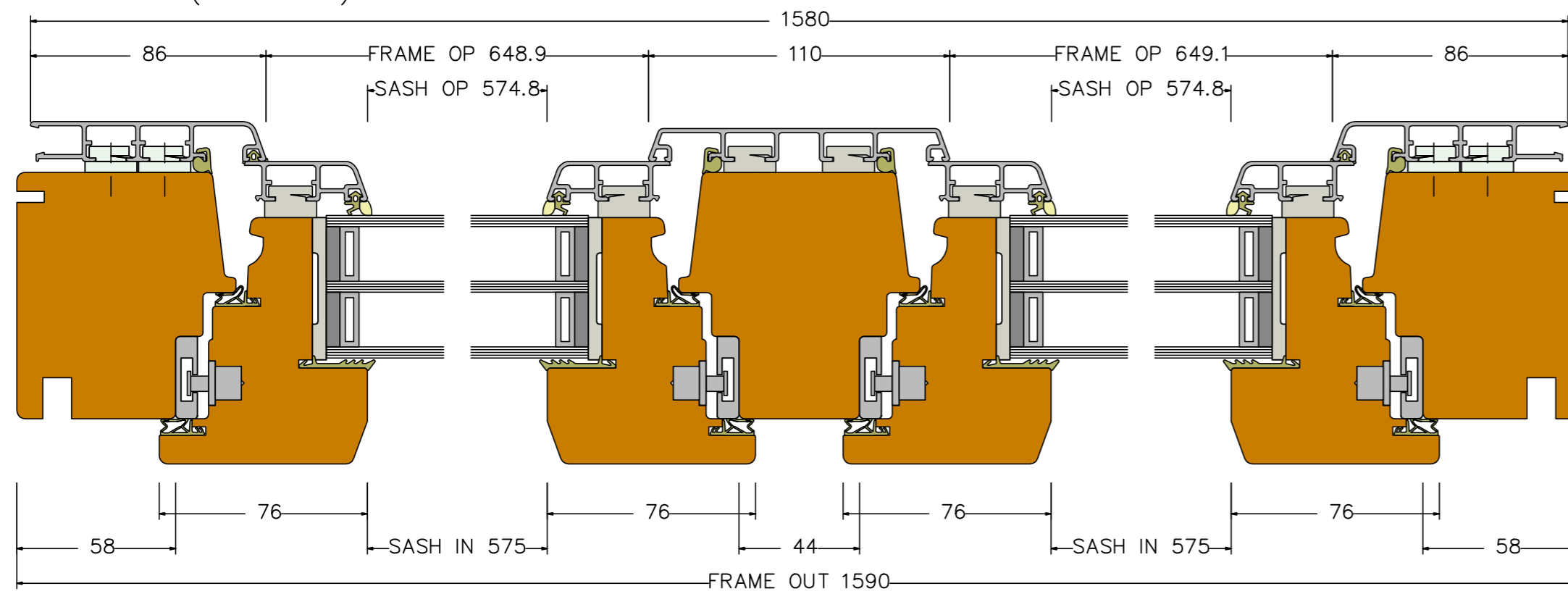


ThermaDura e-MOD Thermally Efficient Window/Door Modules	drawn	Date	Name
		30.05.2020	Rampe
Description: DesignLine e-MOD D-114 Timber-Aluminium tilt-turn window			
<b>ThermaDura</b>	These drawings are protected by copyright and only to be used in conjunction with the supply of ThermaDura products. This drawing is an instrument of service and is provided for informational use only. © 2019 ThermaDura Ltd		

View from inside (scale 1:15)

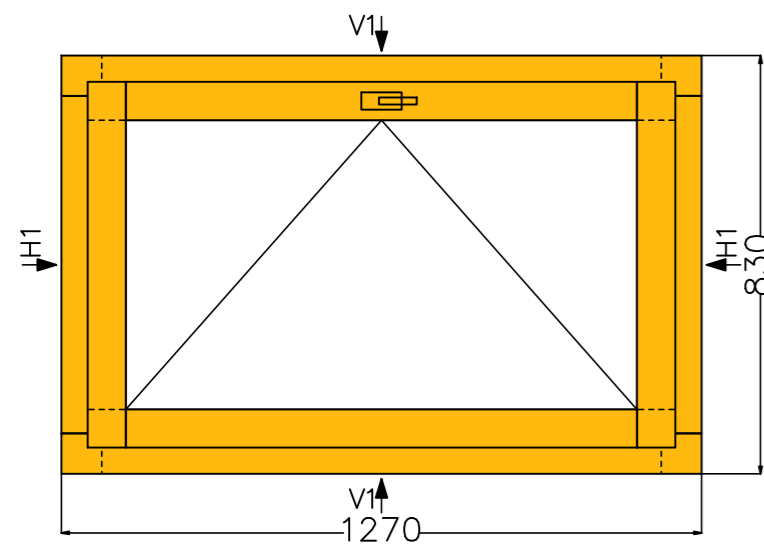


Section H1 (scale 1:2)

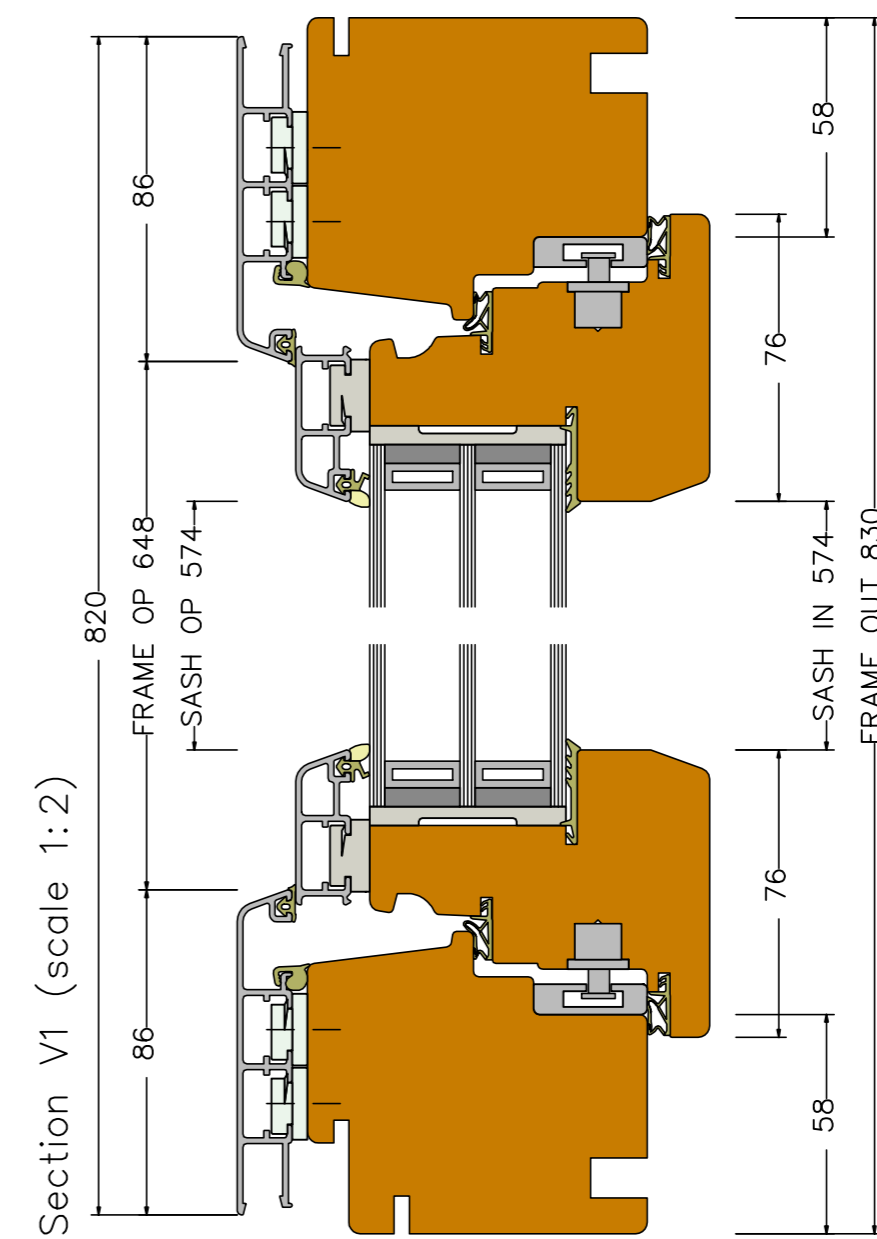
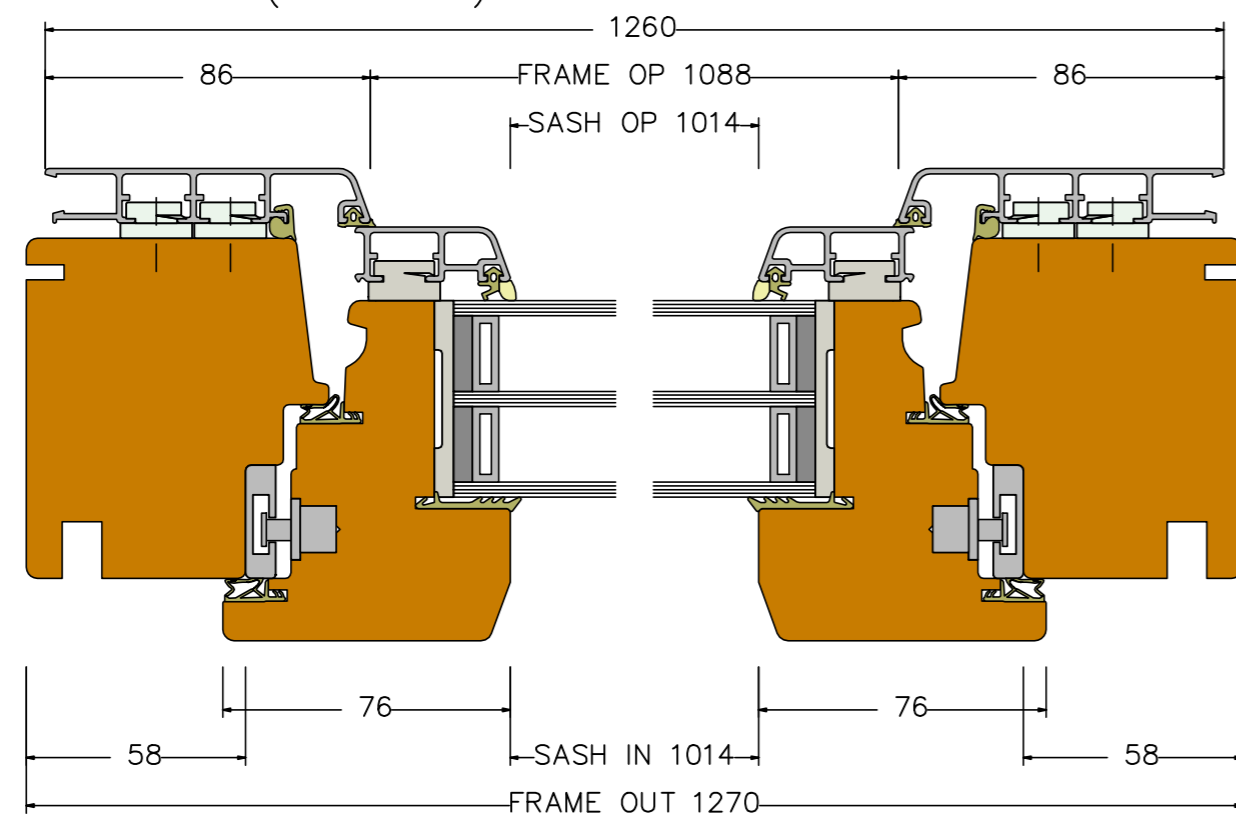


ThermaDura e-MOD Thermally Efficient Window/Door Modules	drawn	Date	Name
		30.05.2020	Rampe
Description: DesignLine e-MOD D-115 Timber-Aluminium tilt-turn window			
<b>ThermaDura</b>	These drawings are protected by copyright and only to be used in conjunction with the supply of Thermadura products. This drawing is an instrument of service and is provided for informational use only. © 2019 Thermadura Ltd		

View from inside (scale 1:15)

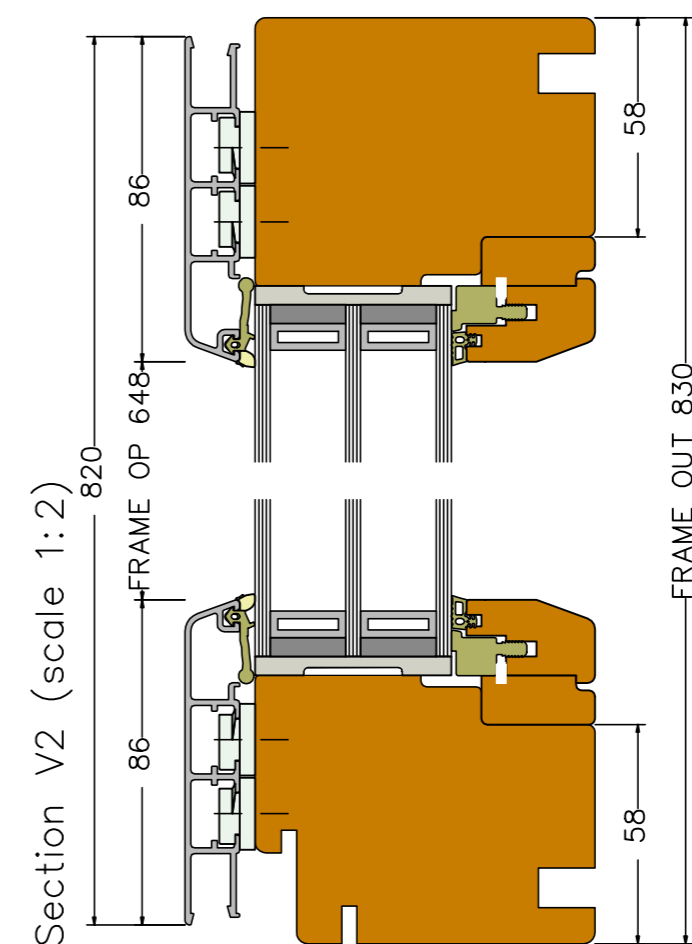
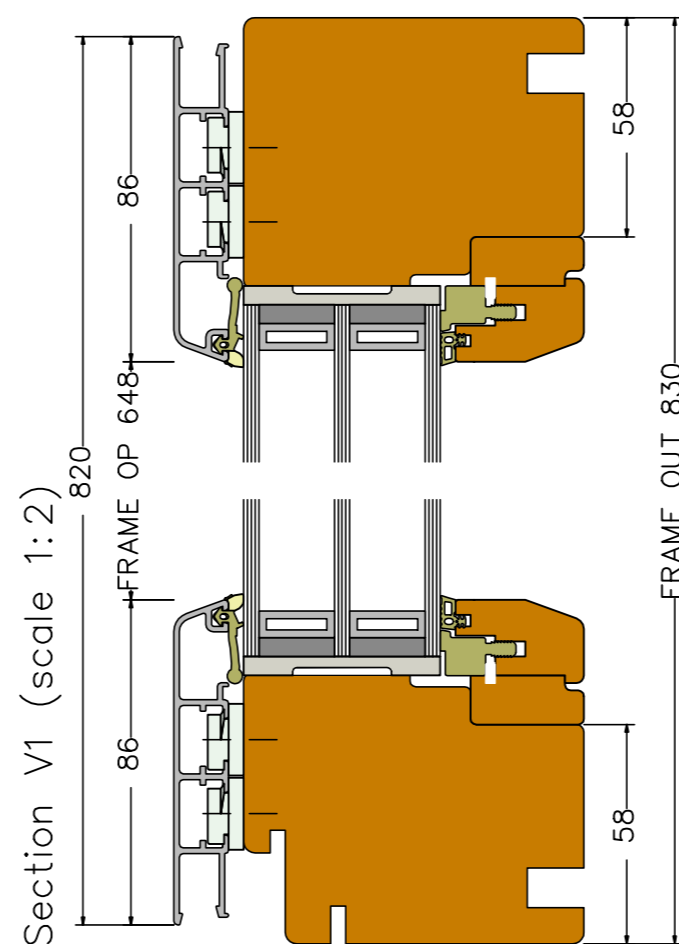
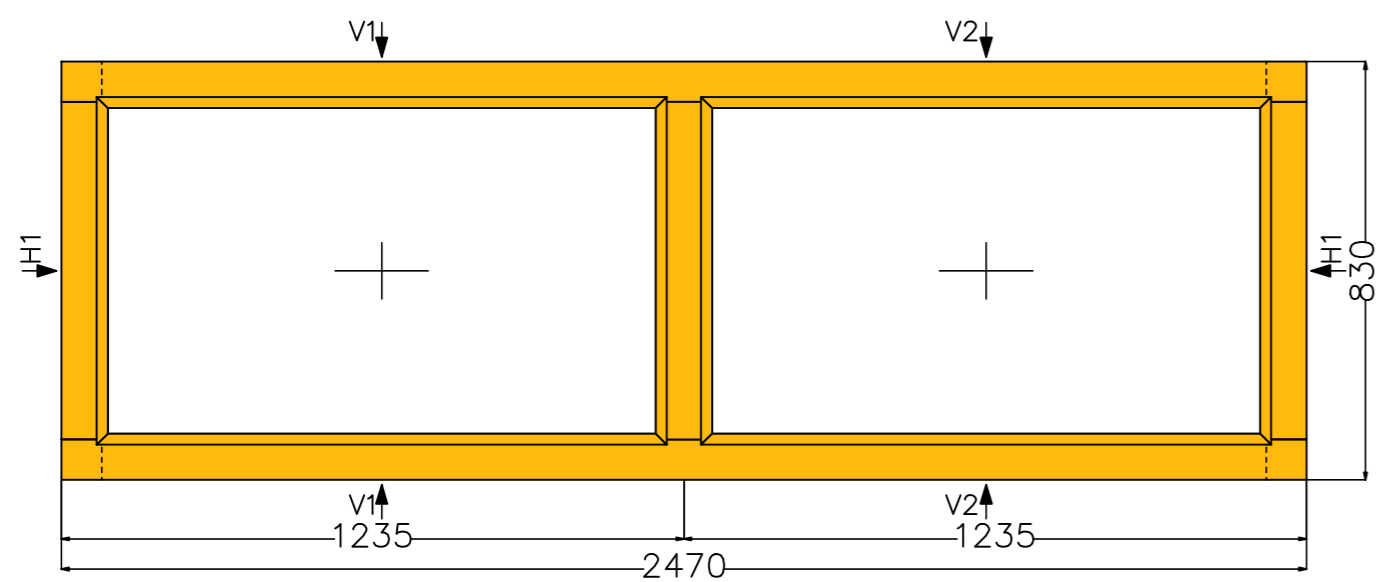


Section H1 (scale 1:2)

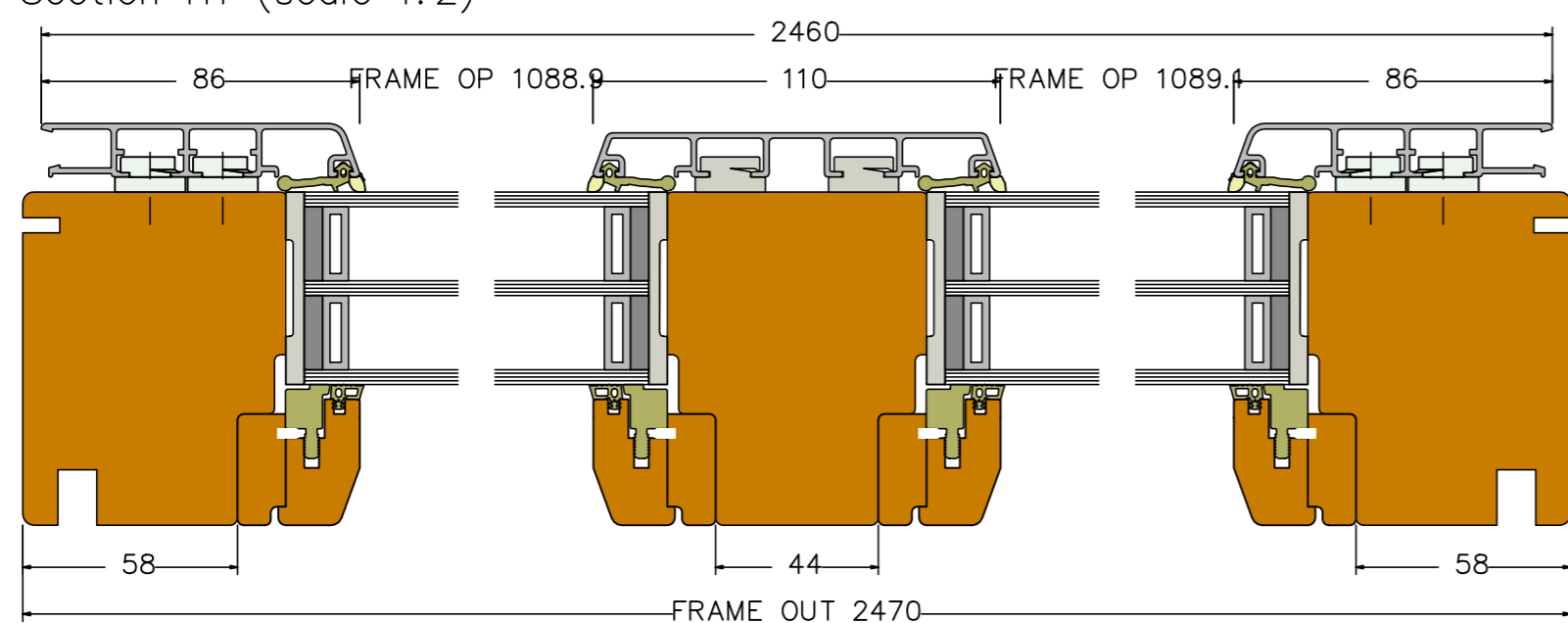


ThermaDura e-MOD Thermally Efficient Window/Door Modules	drawn	Date	Name
		30.05.2020	Rampe
Description: DesignLine e-MOD D-130 Timber-Aluminium tilt window			
<b>ThermaDura</b>	These drawings are protected by copyright and only to be used in conjunction with the supply of Thermadura products. This drawing is an instrument of service and is provided for informational use only. © 2019 ThermaDura Ltd		

View from inside (scale 1:15)

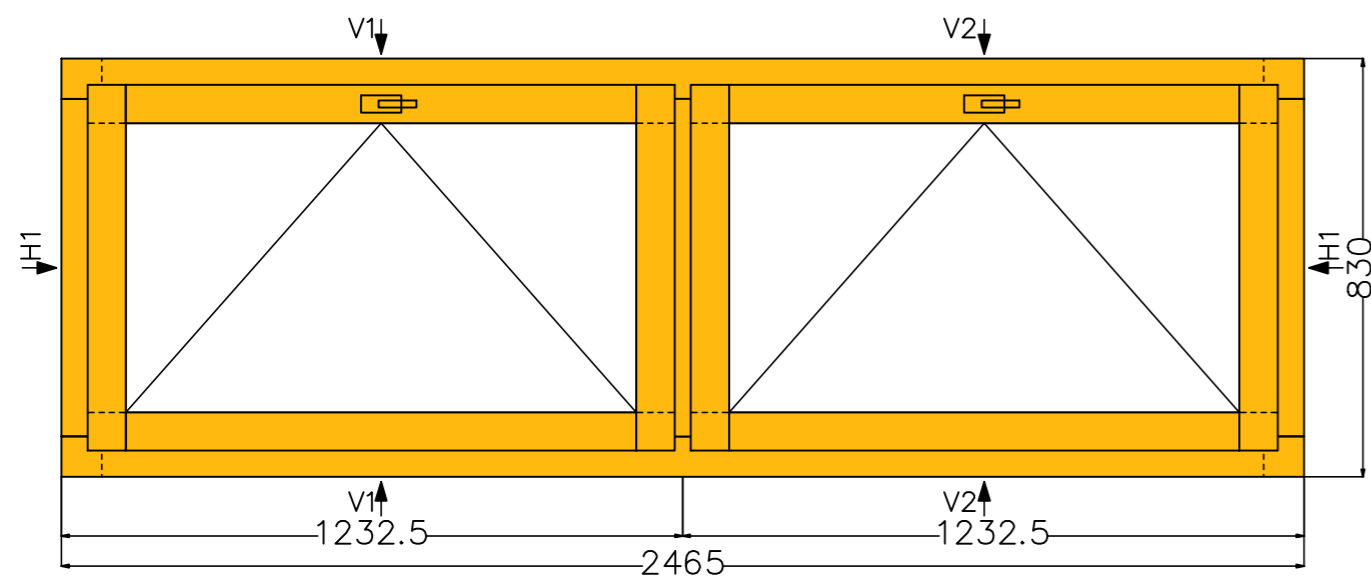


Section H1 (scale 1:2)

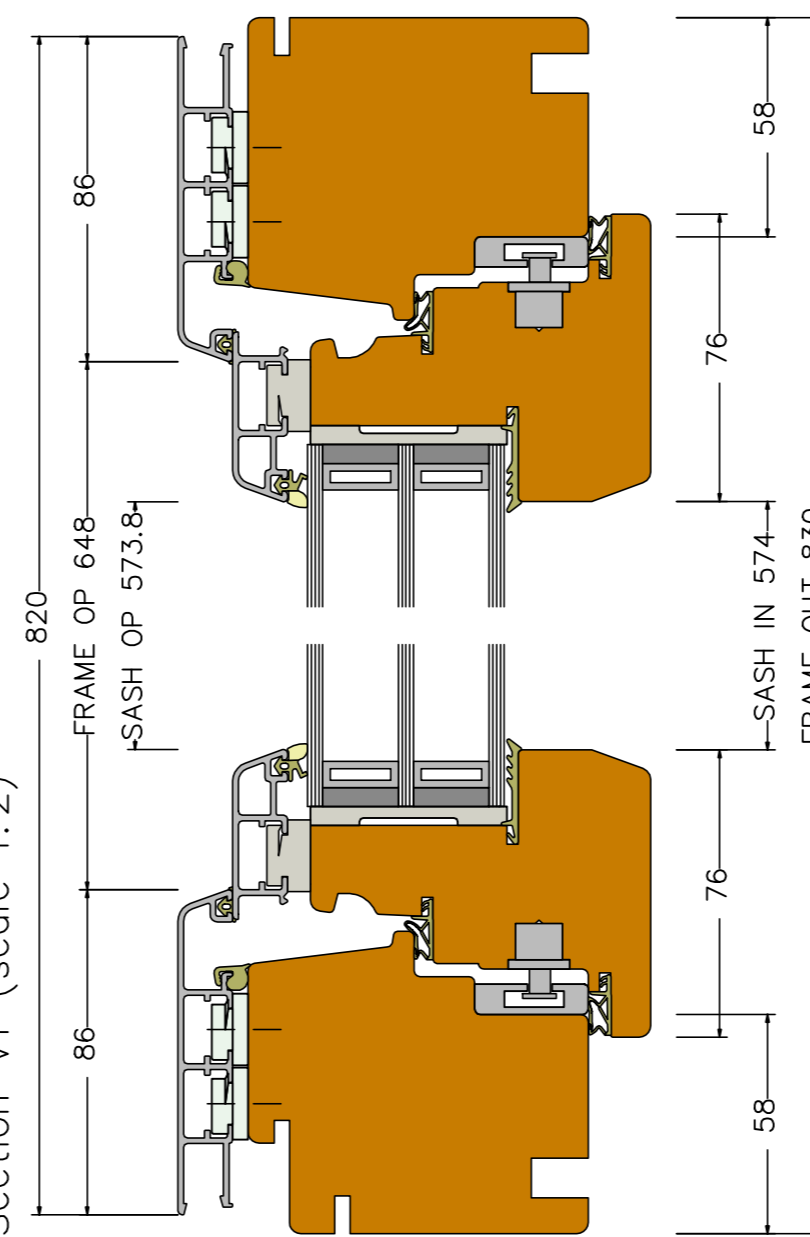


ThermaDura e-MOD Thermally Efficient Window/Door Modules	drawn	Date	Name
		30.05.2020	Rampe
Description: DesignLine e-MOD D-131 Timber-Aluminium fixed window			
<b>ThermaDura</b>	These drawings are protected by copyright and only to be used in conjunction with the supply of Thermadura products. This drawing is an instrument of service and is provided for informational use only. © 2019 ThermaDura Ltd		

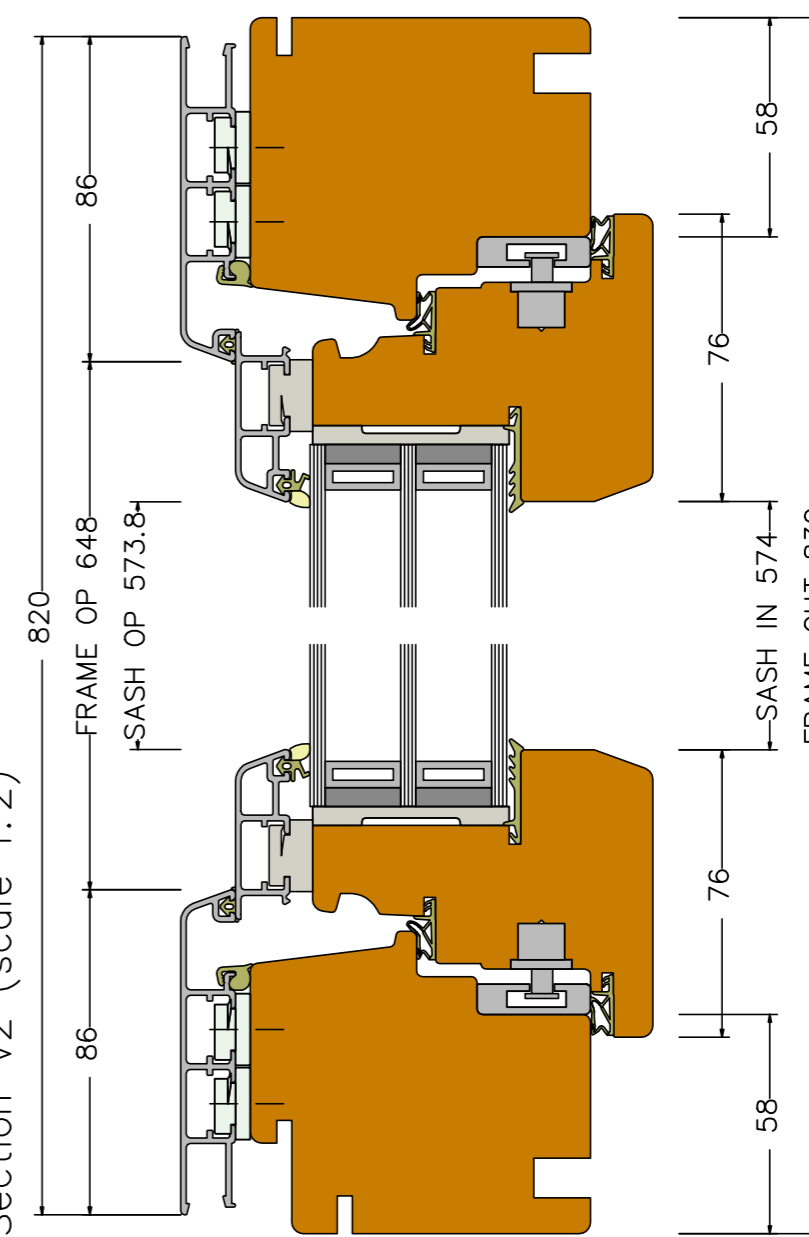
View from inside (scale 1:15)



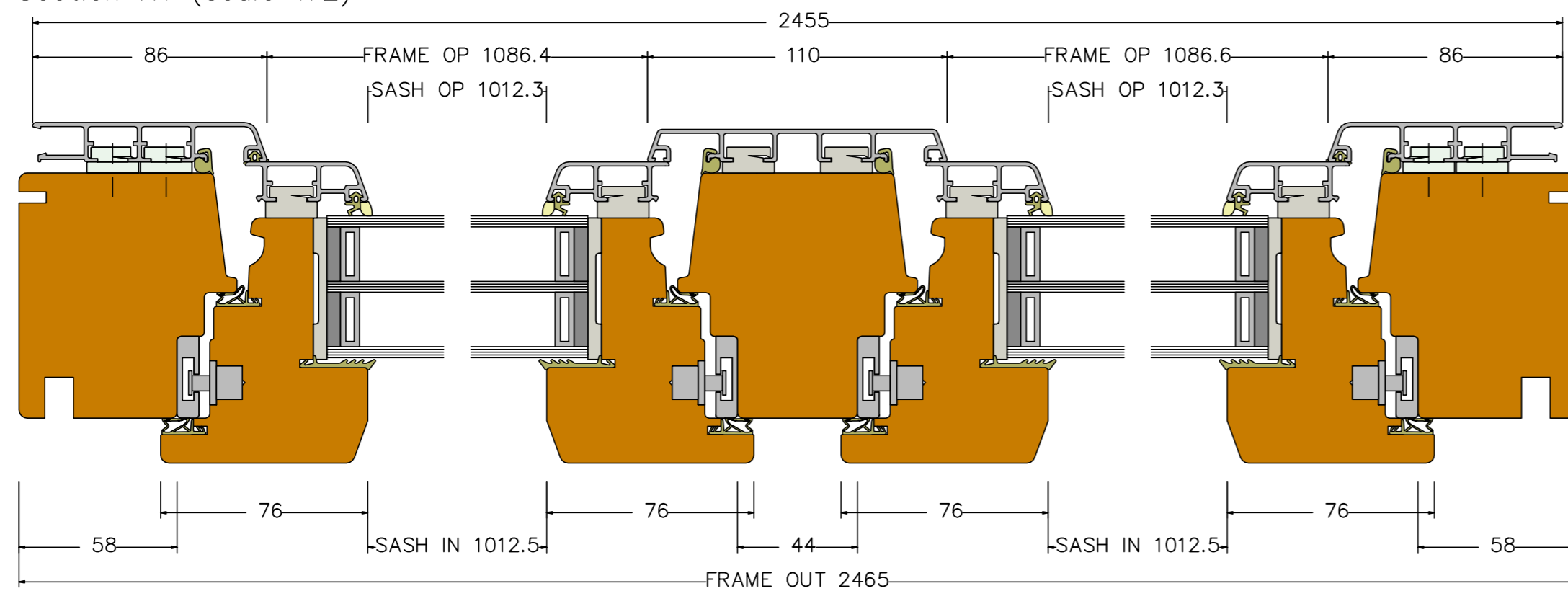
Section V1 (scale 1:2)



Section V2 (scale 1:2)

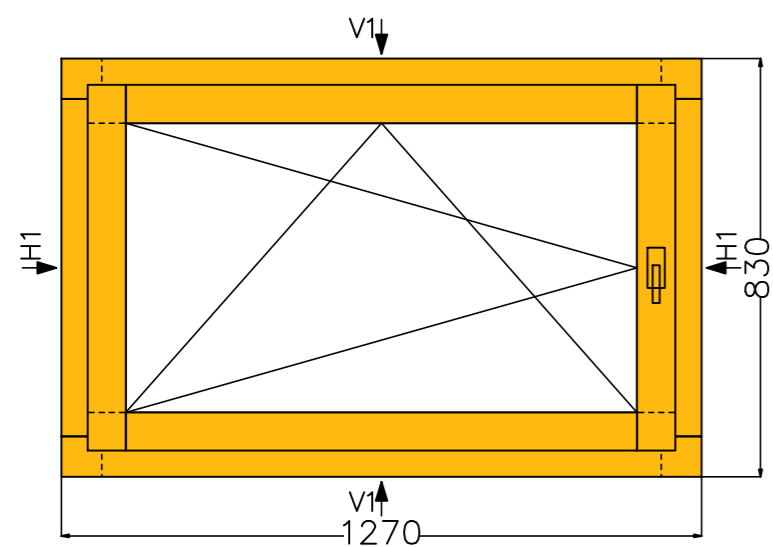


Section H1 (scale 1:2)

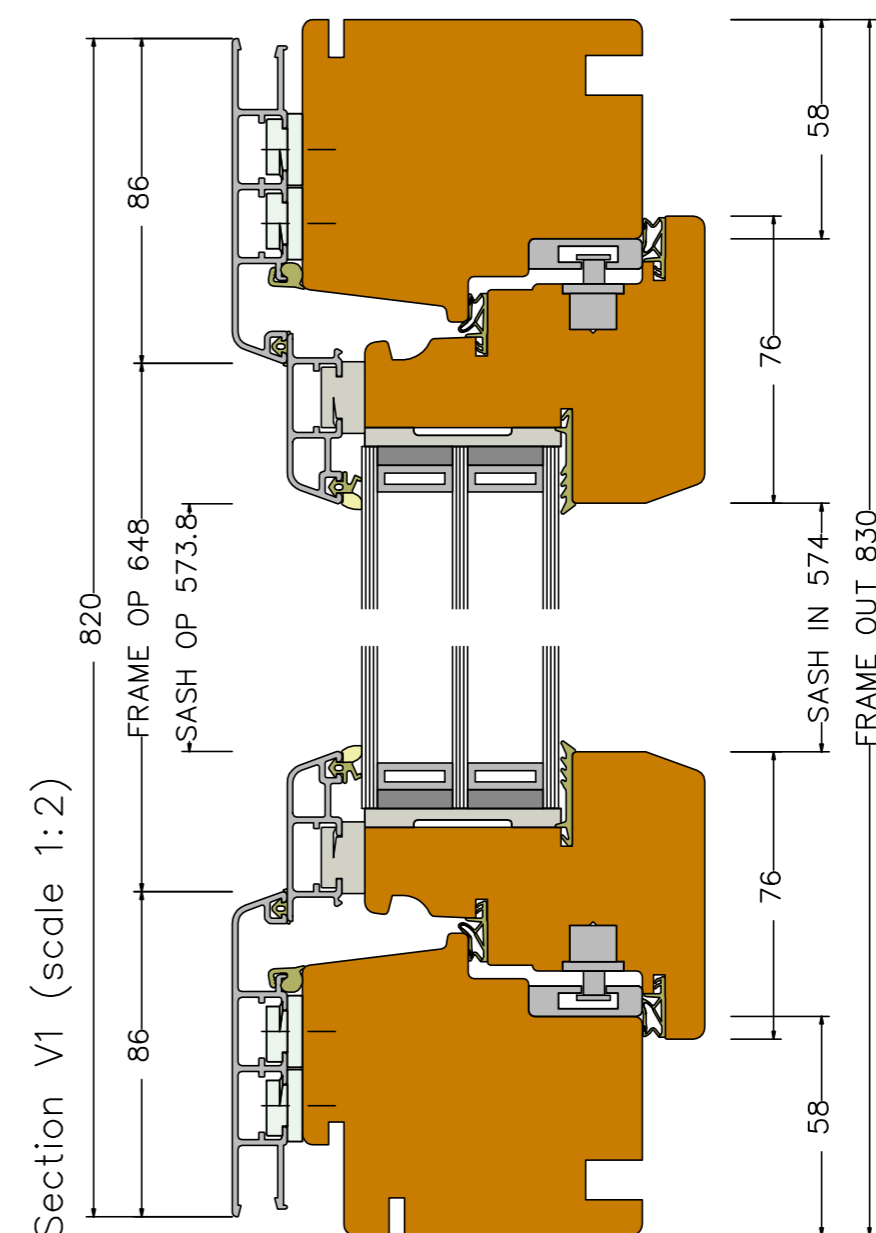
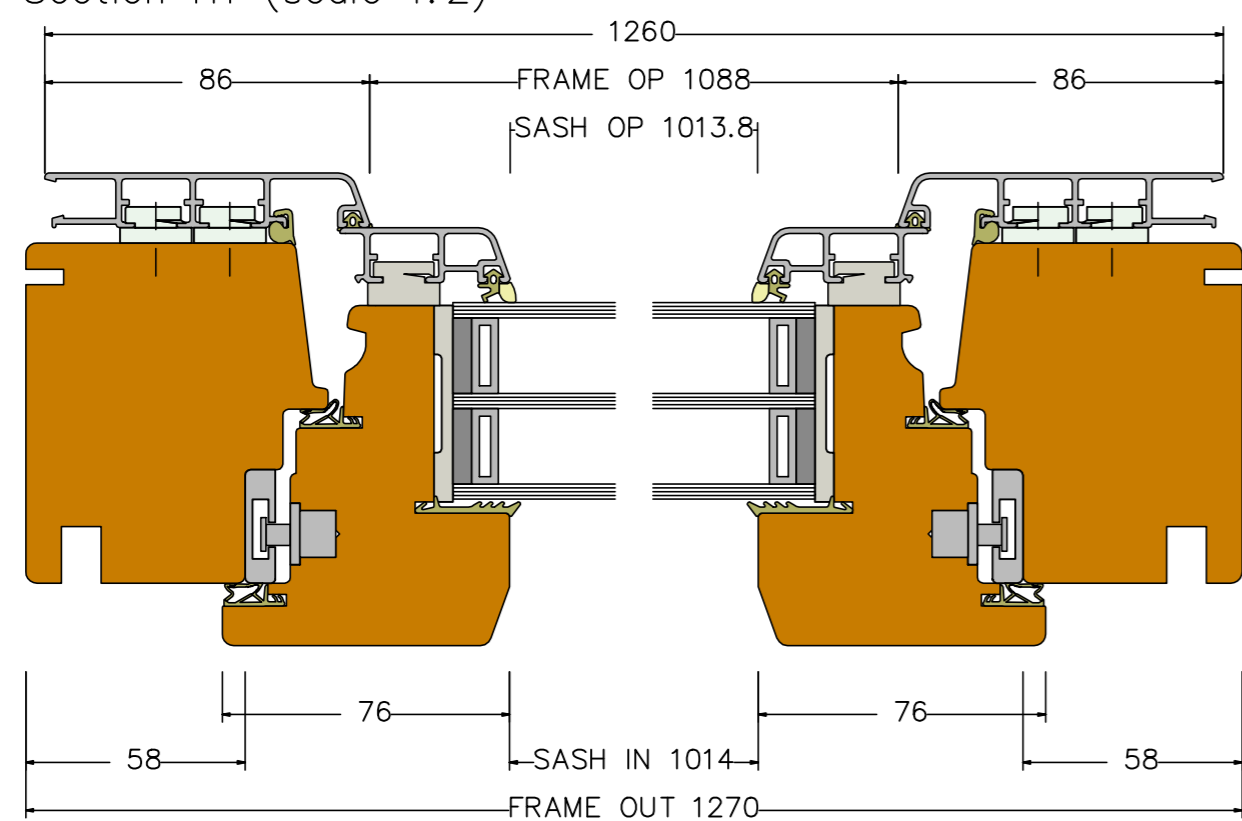


ThermaDura e-MOD Thermally Efficient Window/Door Modules	drawn	Date	Name
		30.05.2020	Rampe
Description: DesignLine e-MOD D-132 Timber-Aluminium tilt window			
<b>ThermaDura</b>	These drawings are protected by copyright and only to be used in conjunction with the supply of ThermaDura products. This drawing is an instrument of service and is provided for informational use only. © 2019 ThermaDura Ltd		

View from inside (scale 1:15)

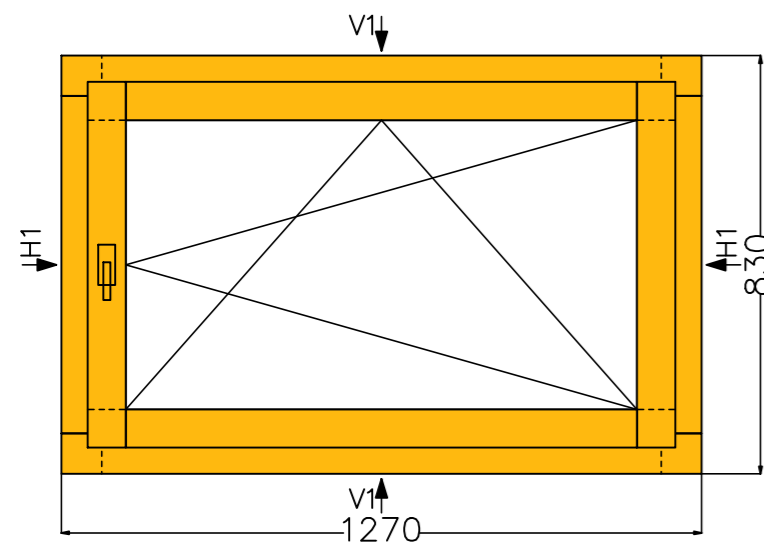


Section H1 (scale 1:2)

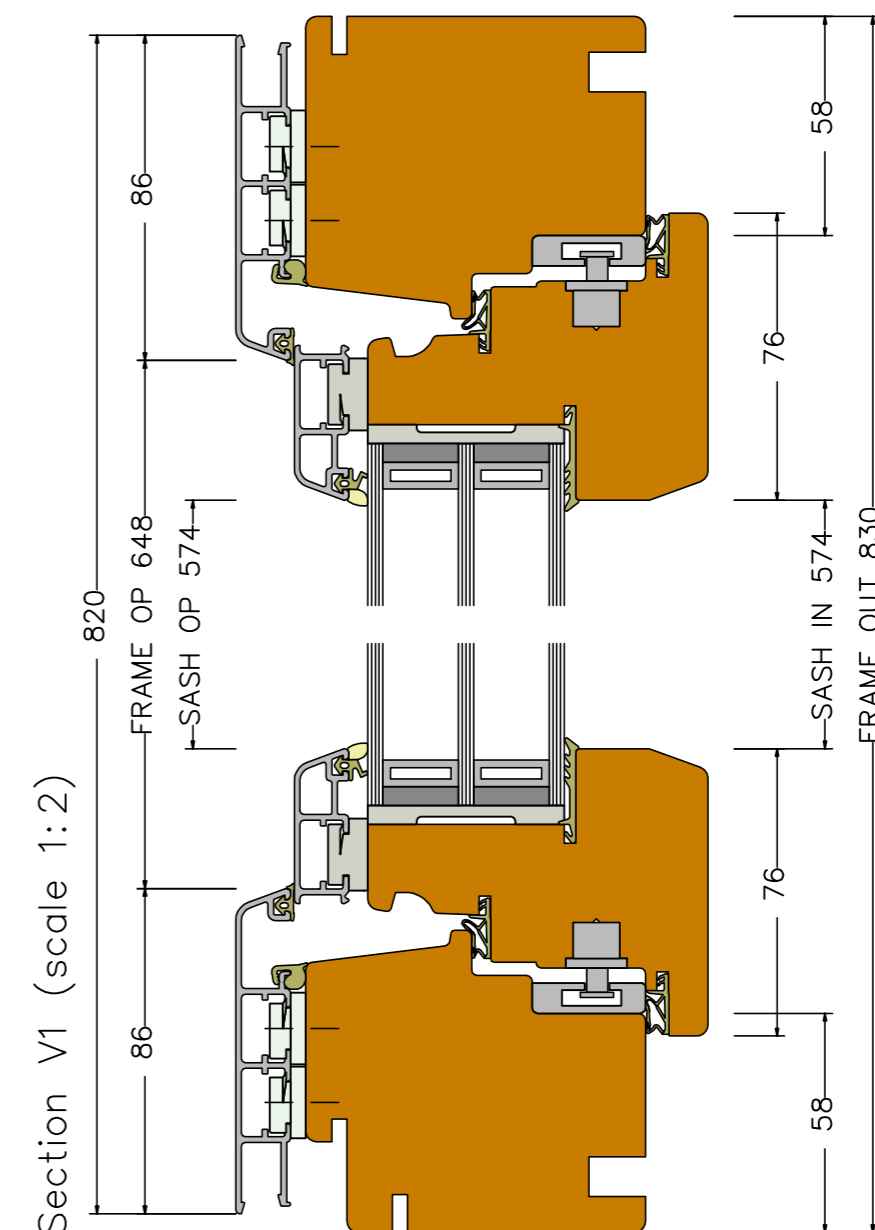
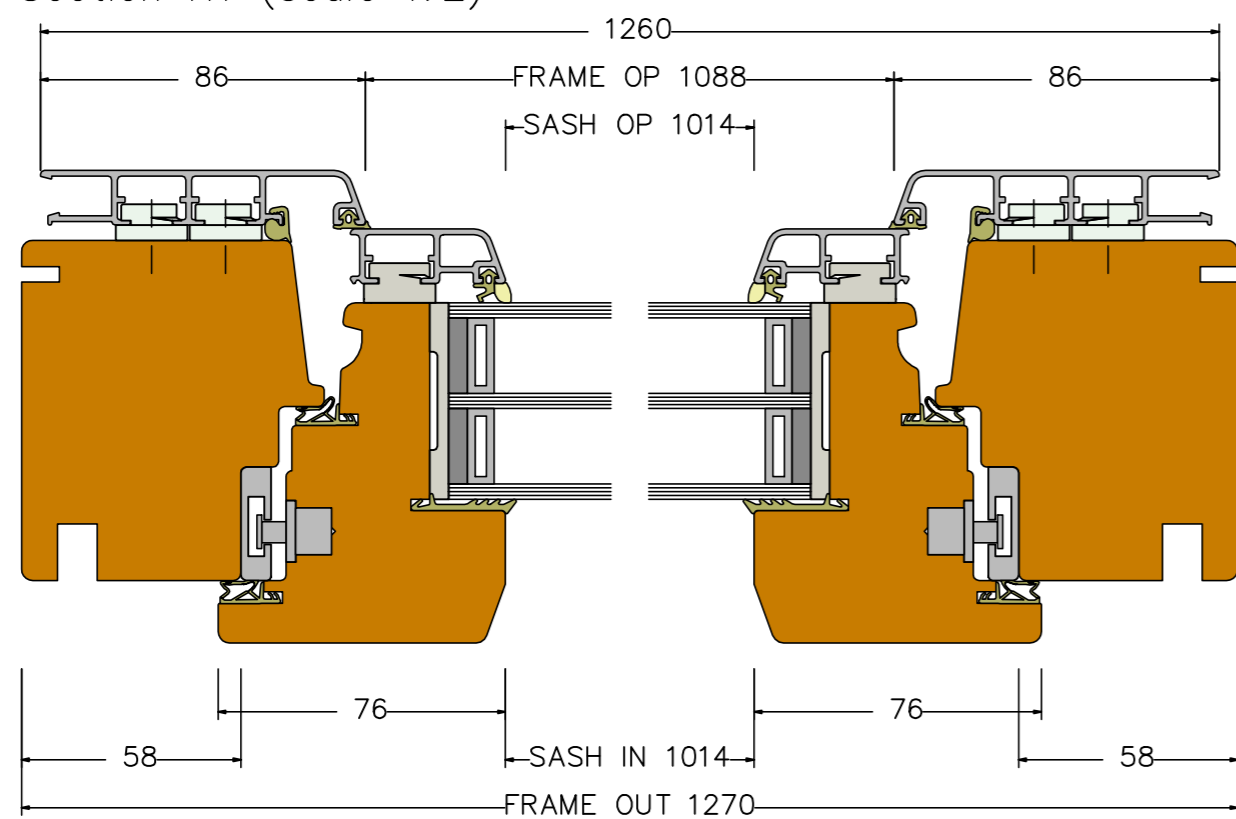


ThermaDura e-MOD Thermally Efficient Window/Door Modules	drawn	Date	Name
		30.05.2020	Rampe
Description: DesignLine e-MOD D-133 Timber-Aluminium tilt-turn window			
<b>ThermaDura</b>	These drawings are protected by copyright and only to be used in conjunction with the supply of Thermadura products. This drawing is an instrument of service and is provided for informational use only. © 2019 Thermadura Ltd		

View from inside (scale 1:15)

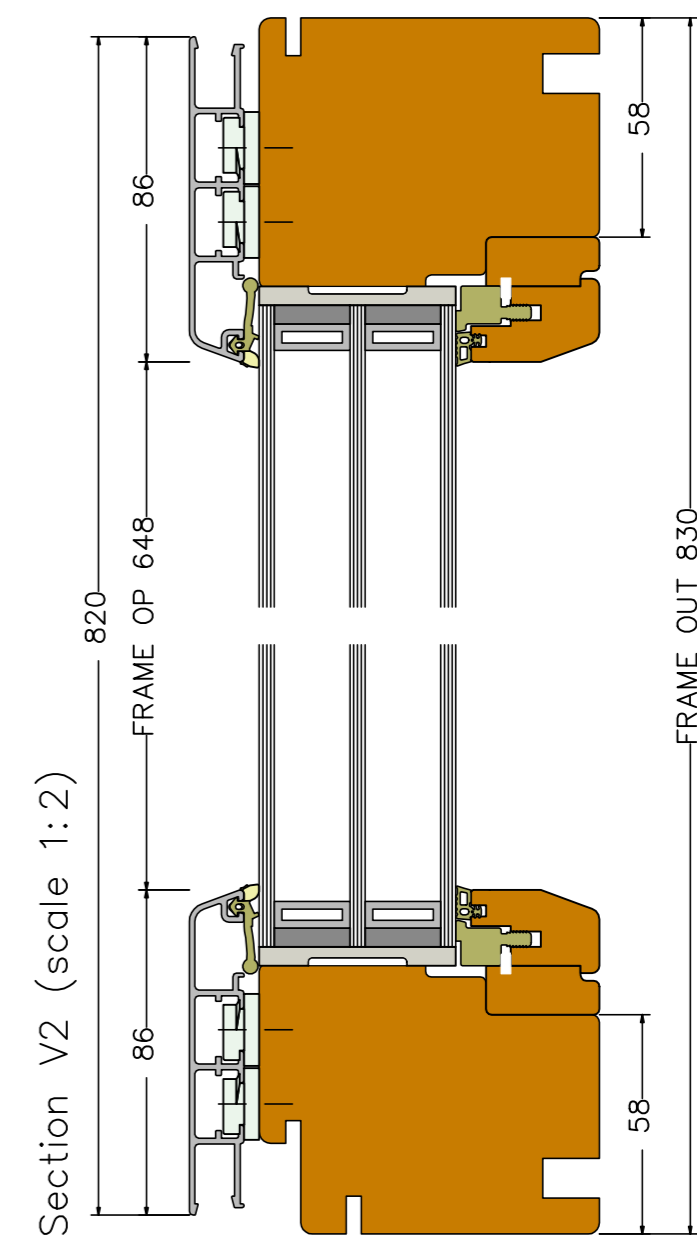
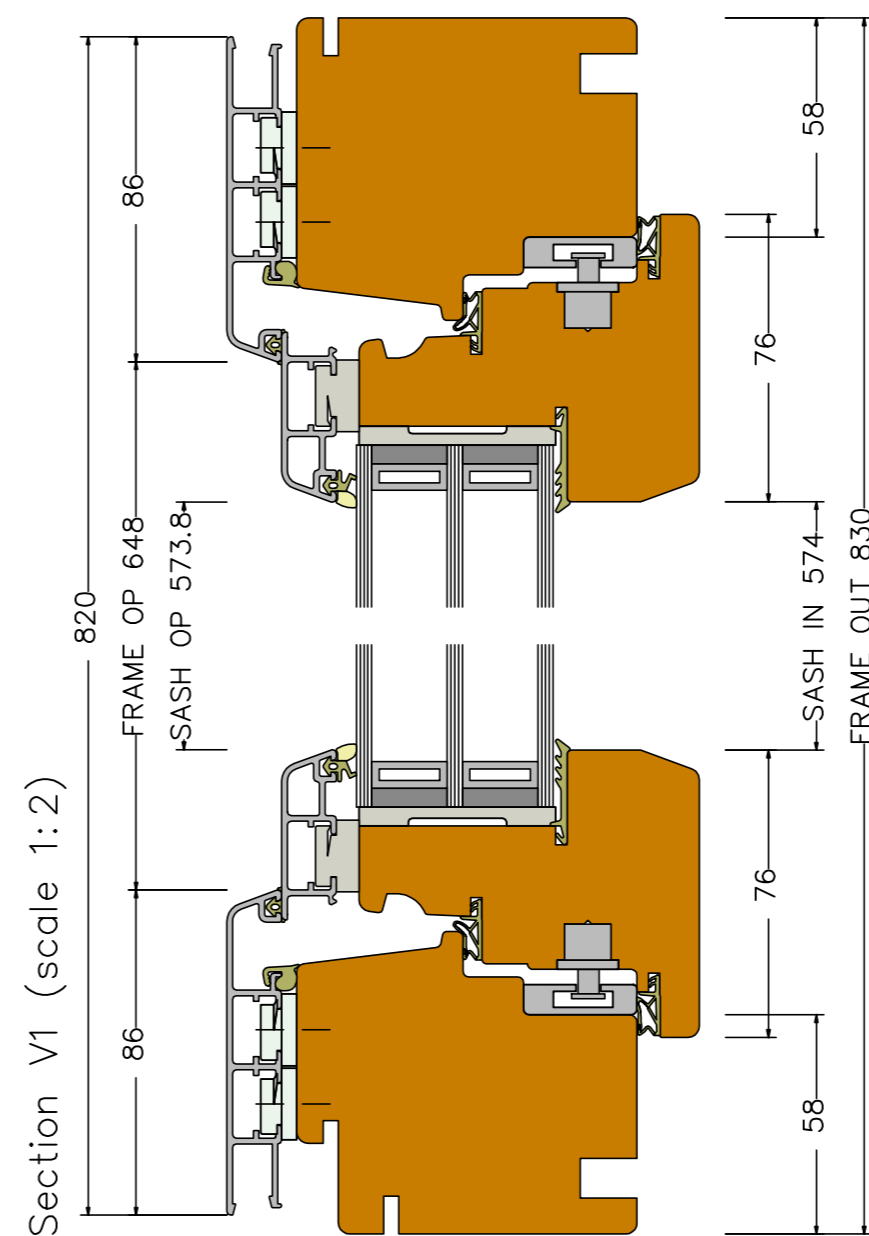
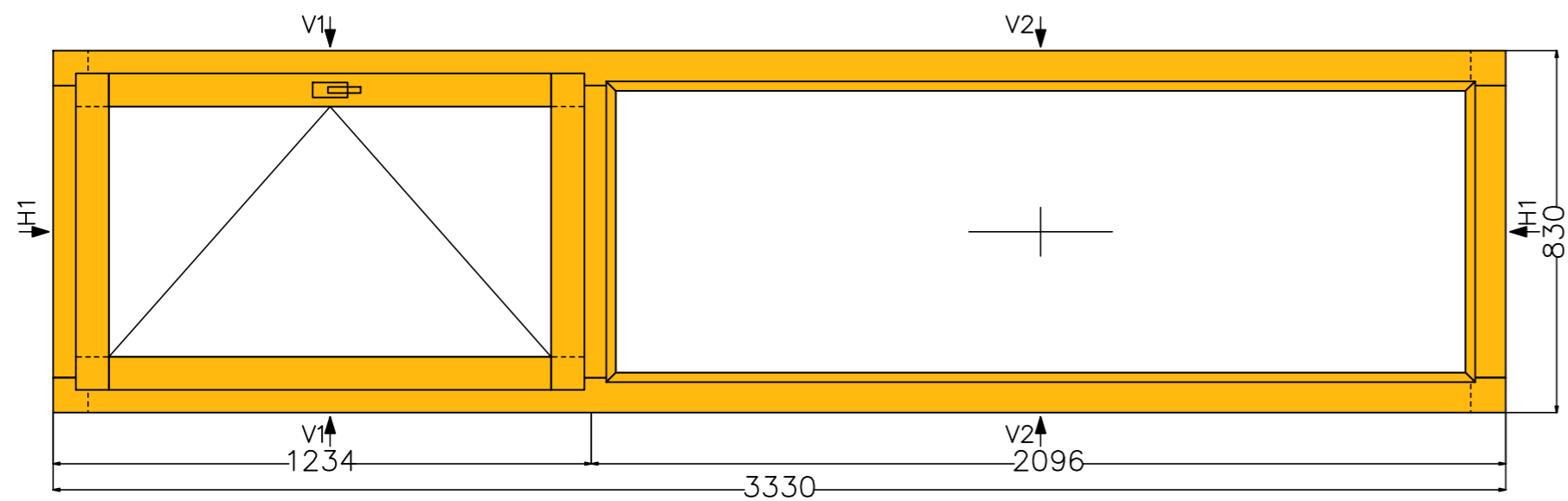


Section H1 (scale 1:2)

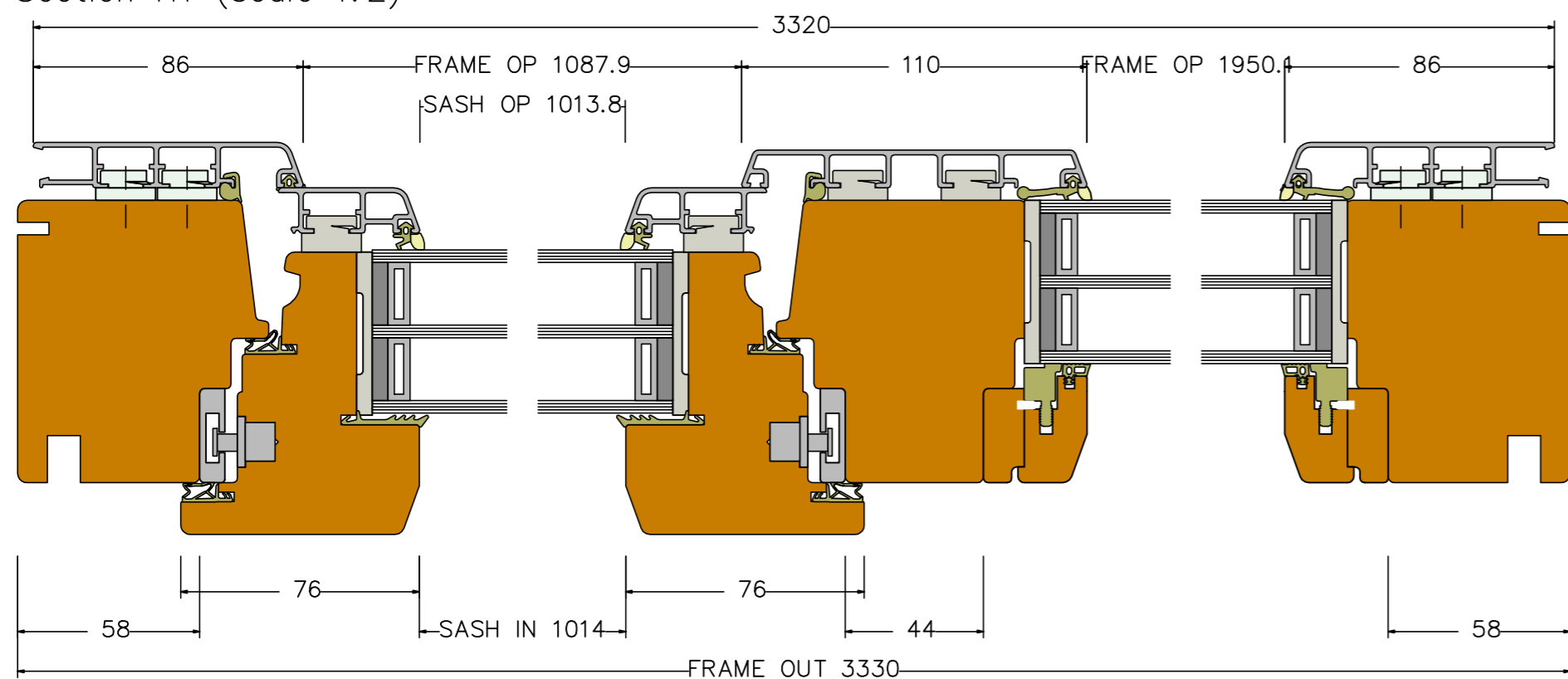


ThermaDura e-MOD Thermally Efficient Window/Door Modules	drawn	Date	Name
		30.05.2020	Rampe
Description: DesignLine e-MOD D-134 Timber-Aluminium tilt-turn window			
<b>ThermaDura</b>	These drawings are protected by copyright and only to be used in conjunction with the supply of Thermadura products. This drawing is an instrument of service and is provided for informational use only. © 2019 Thermadura Ltd		

View from inside (scale 1:15)



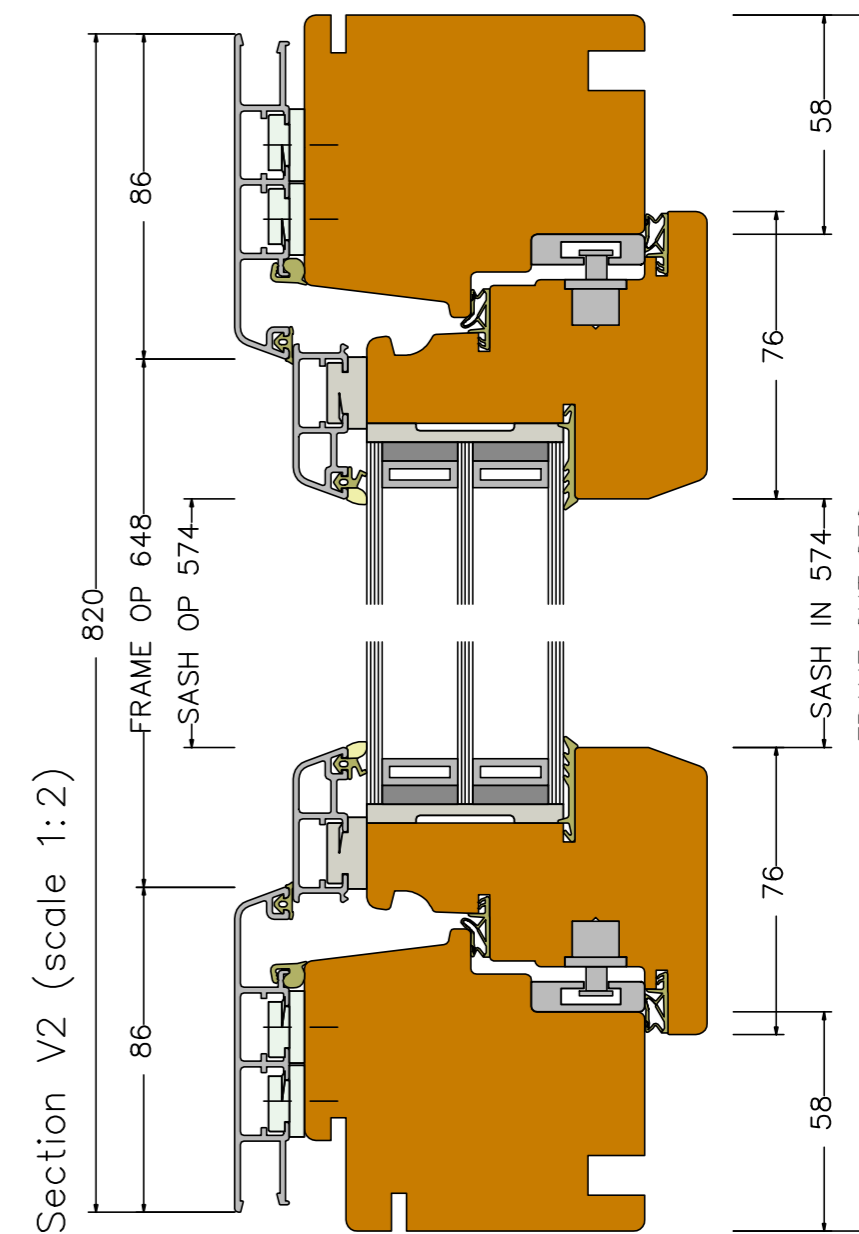
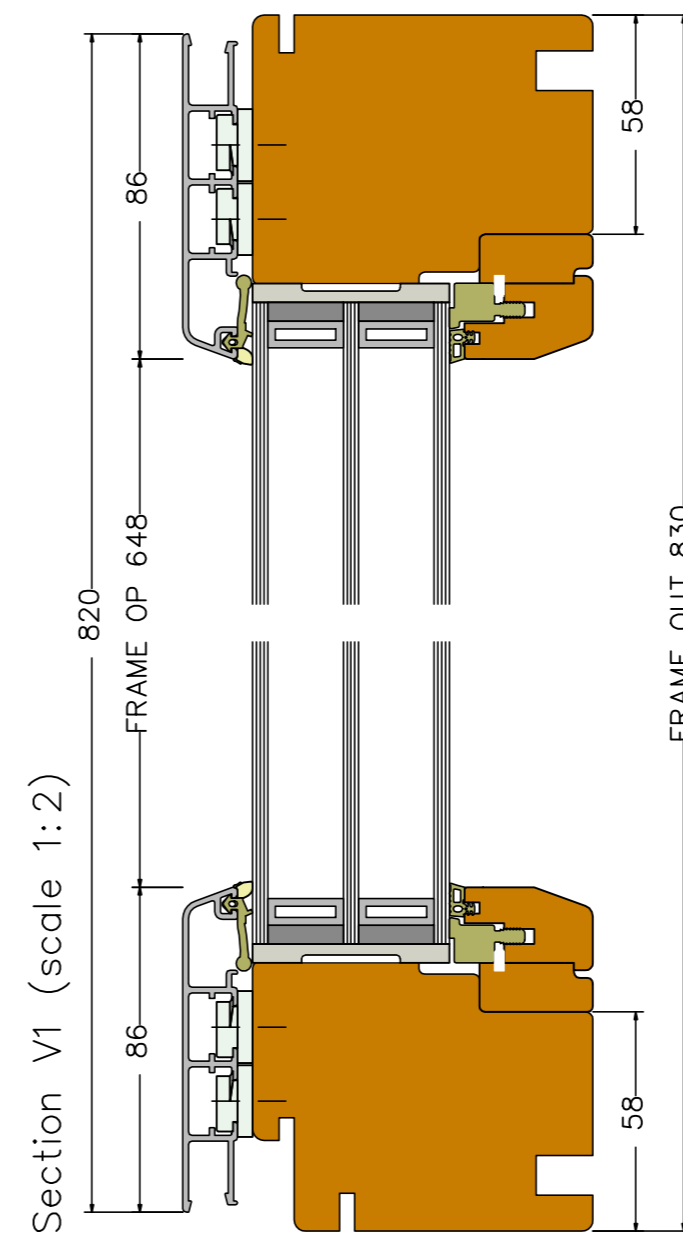
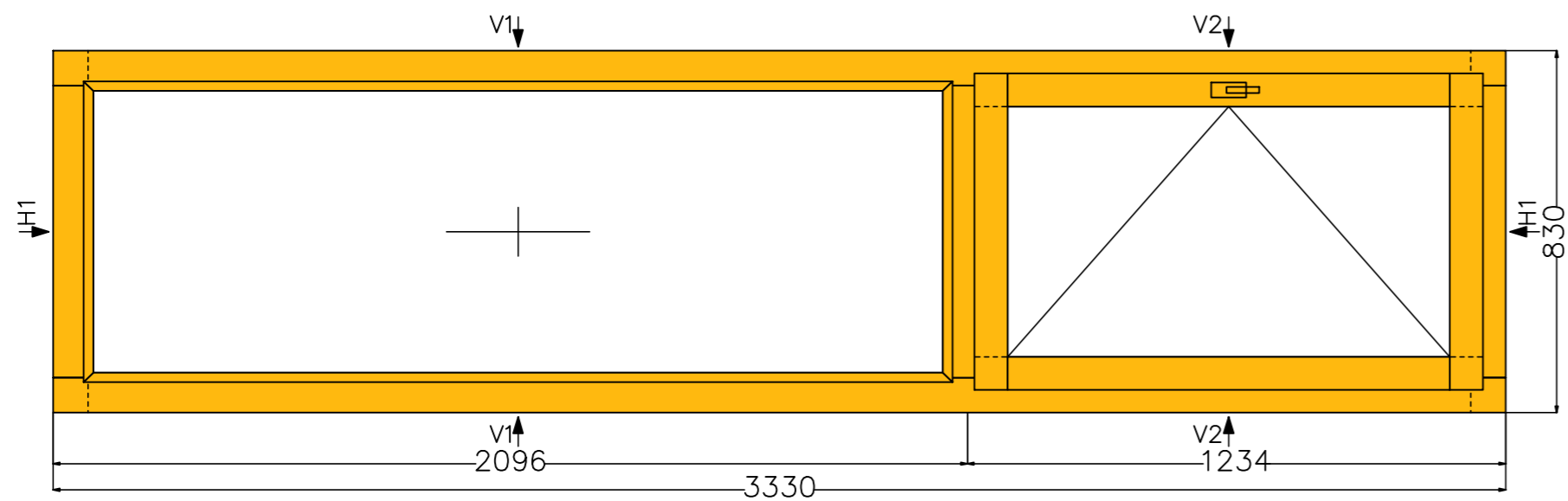
Section H1 (scale 1:2)



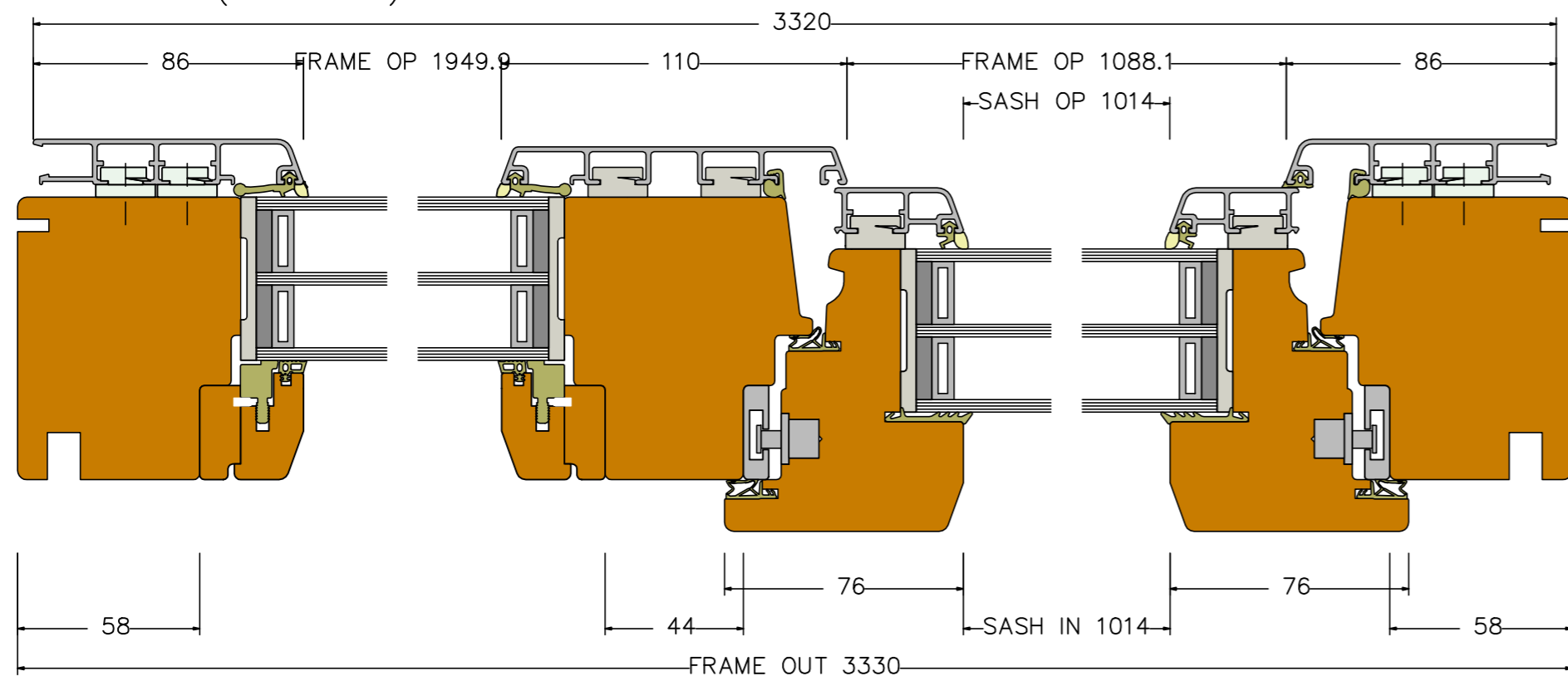
ThermaDura e-MOD Thermally Efficient Window/Door Modules	drawn	Date	Name
		30.05.2020	Rampe
Description: DesignLine e-MOD D-135 Timber-Aluminium tilt window			
<b>ThermaDura</b>	These drawings are protected by copyright and only to be used in conjunction with the supply of Thermadura products. This drawing is an instrument of service and is provided for informational use only. © 2019 ThermaDura Ltd		



View from inside (scale 1:15)

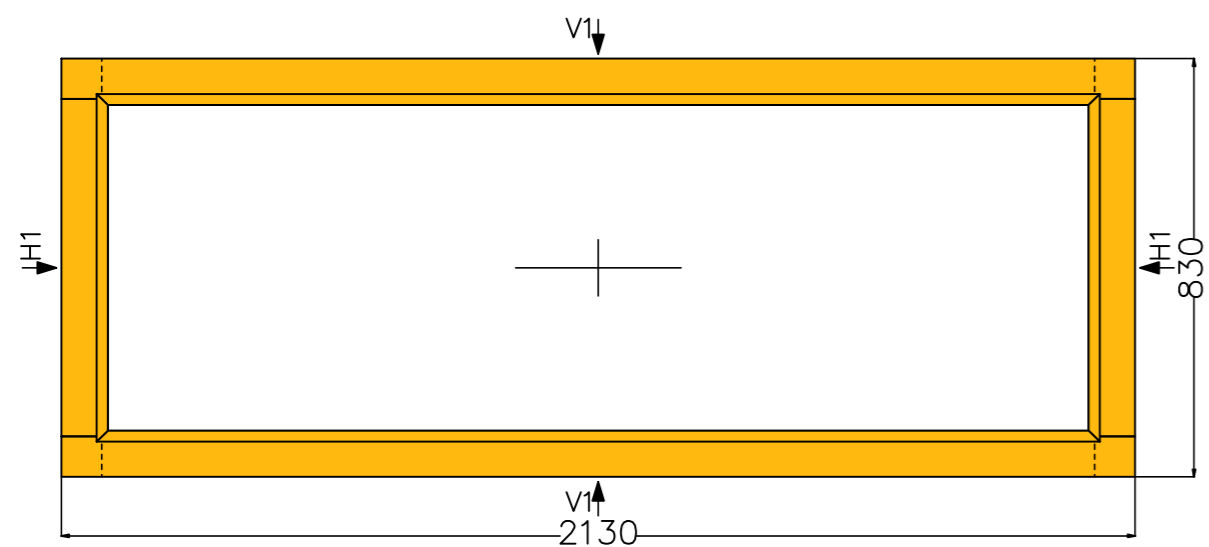


Section H1 (scale 1:2)

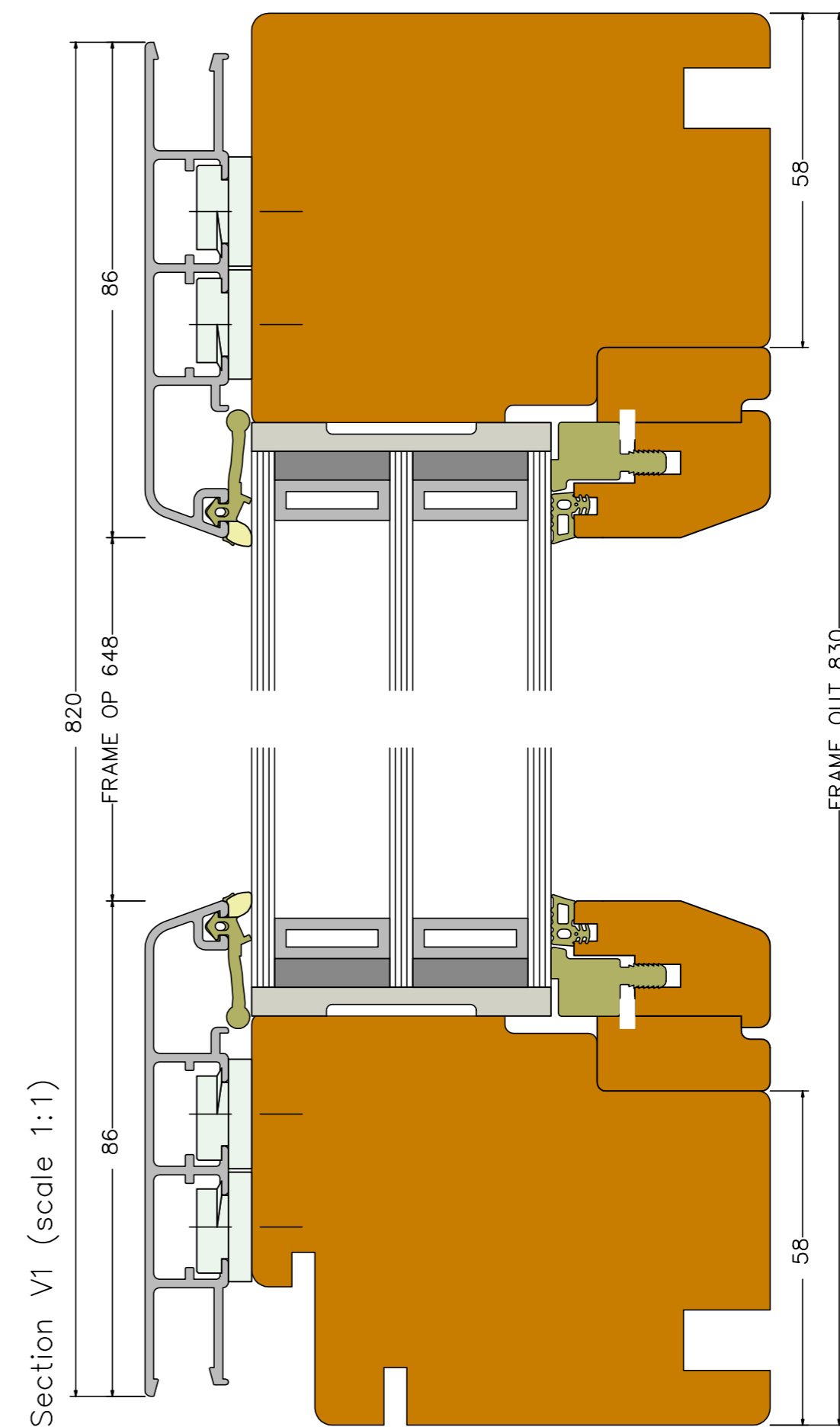
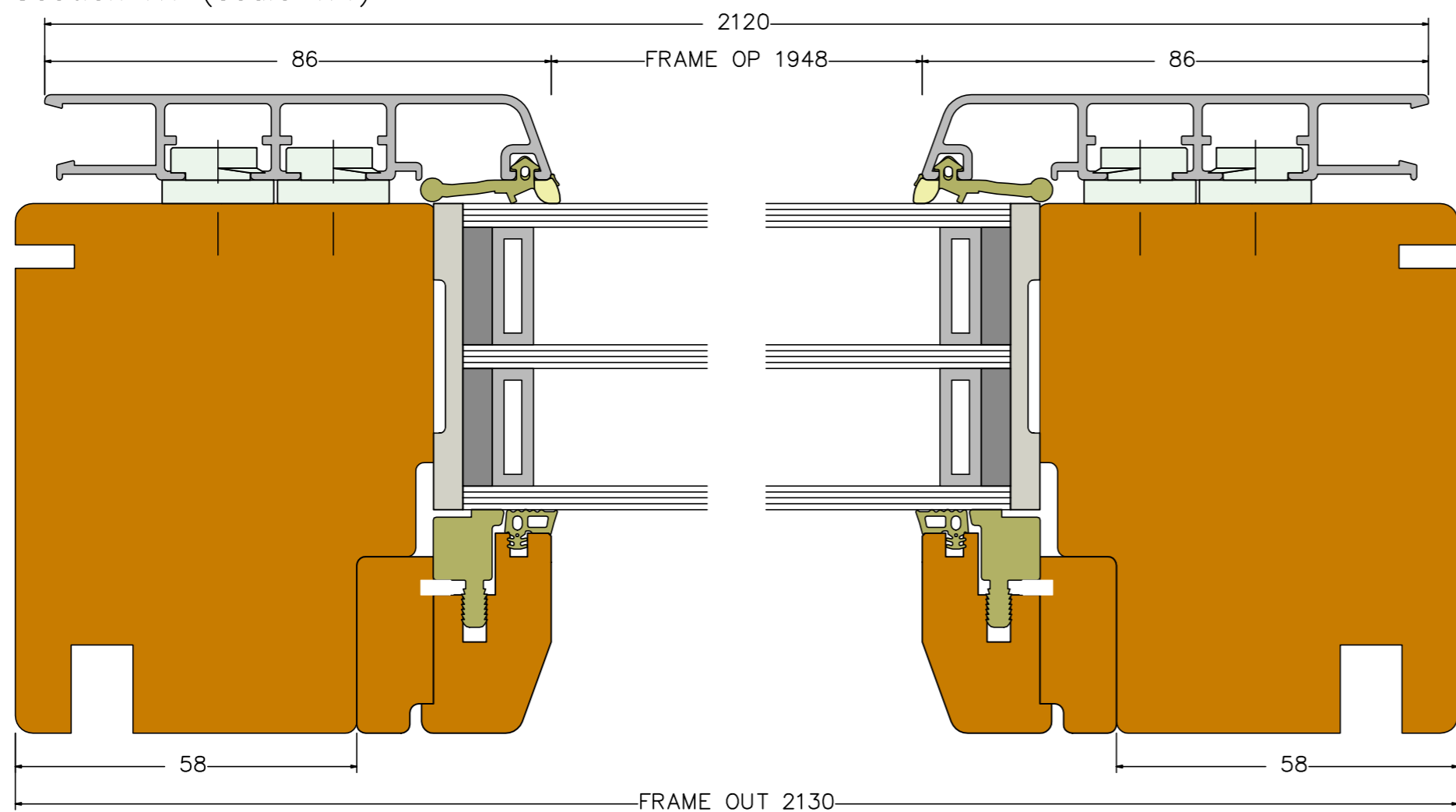


ThermaDura e-MOD Thermally Efficient Window/Door Modules	drawn	Date	Name
		30.05.2020	Rampe
Description: DesignLine e-MOD D-136 Timber-Aluminium tilt window			
<b>ThermaDura</b>	These drawings are protected by copyright and only to be used in conjunction with the supply of ThermaDura products. This drawing is an instrument of service and is provided for informational use only. © 2019 ThermaDura Ltd		

View from inside (scale 1:15)

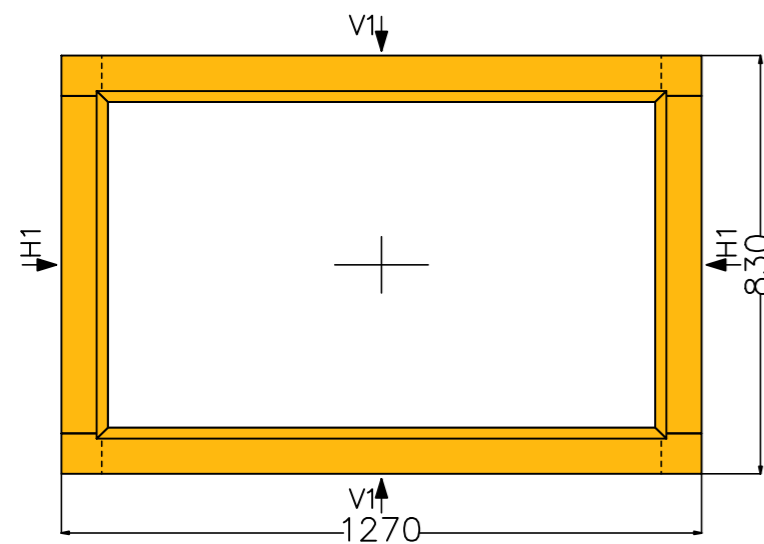


Section H1 (scale 1:1)

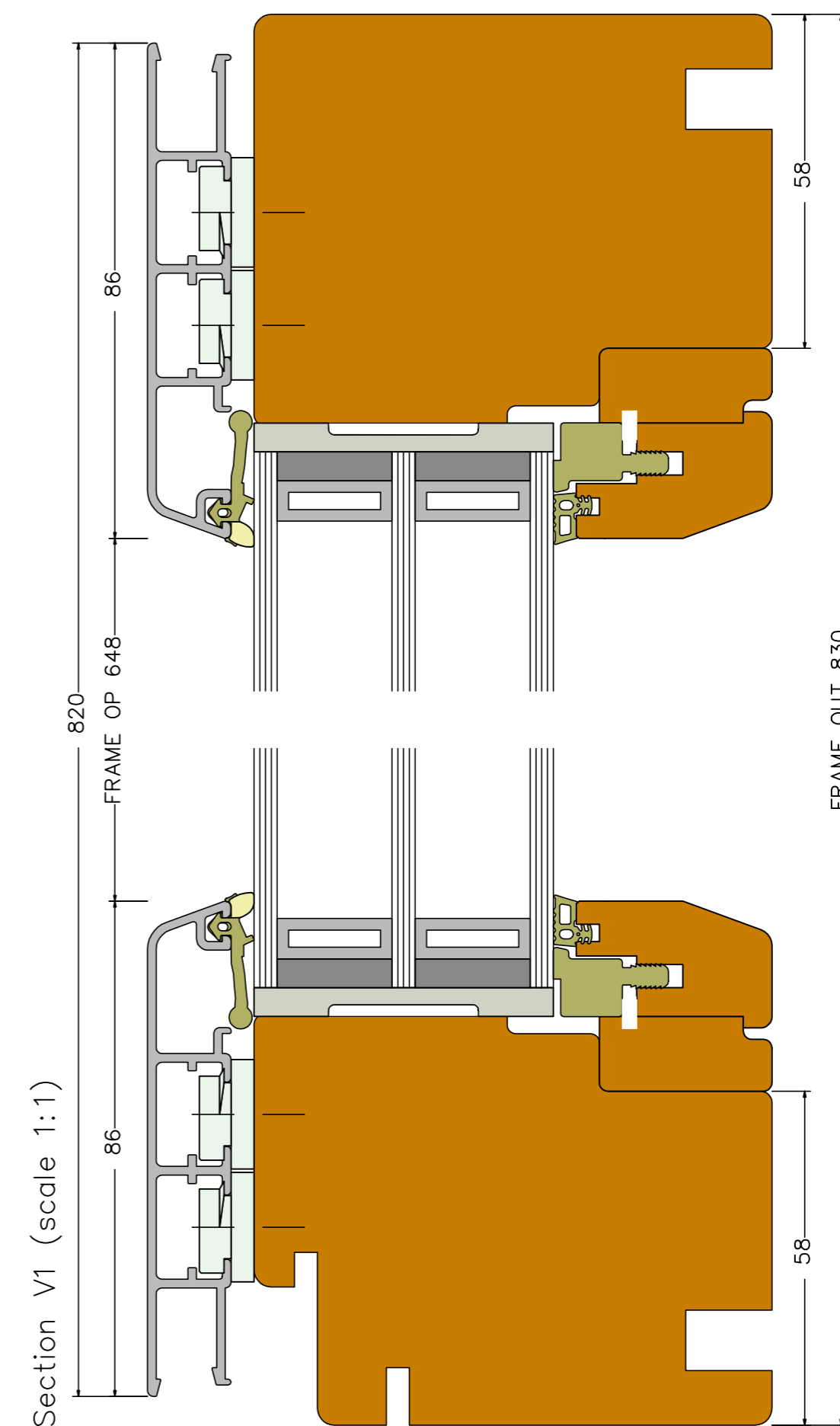
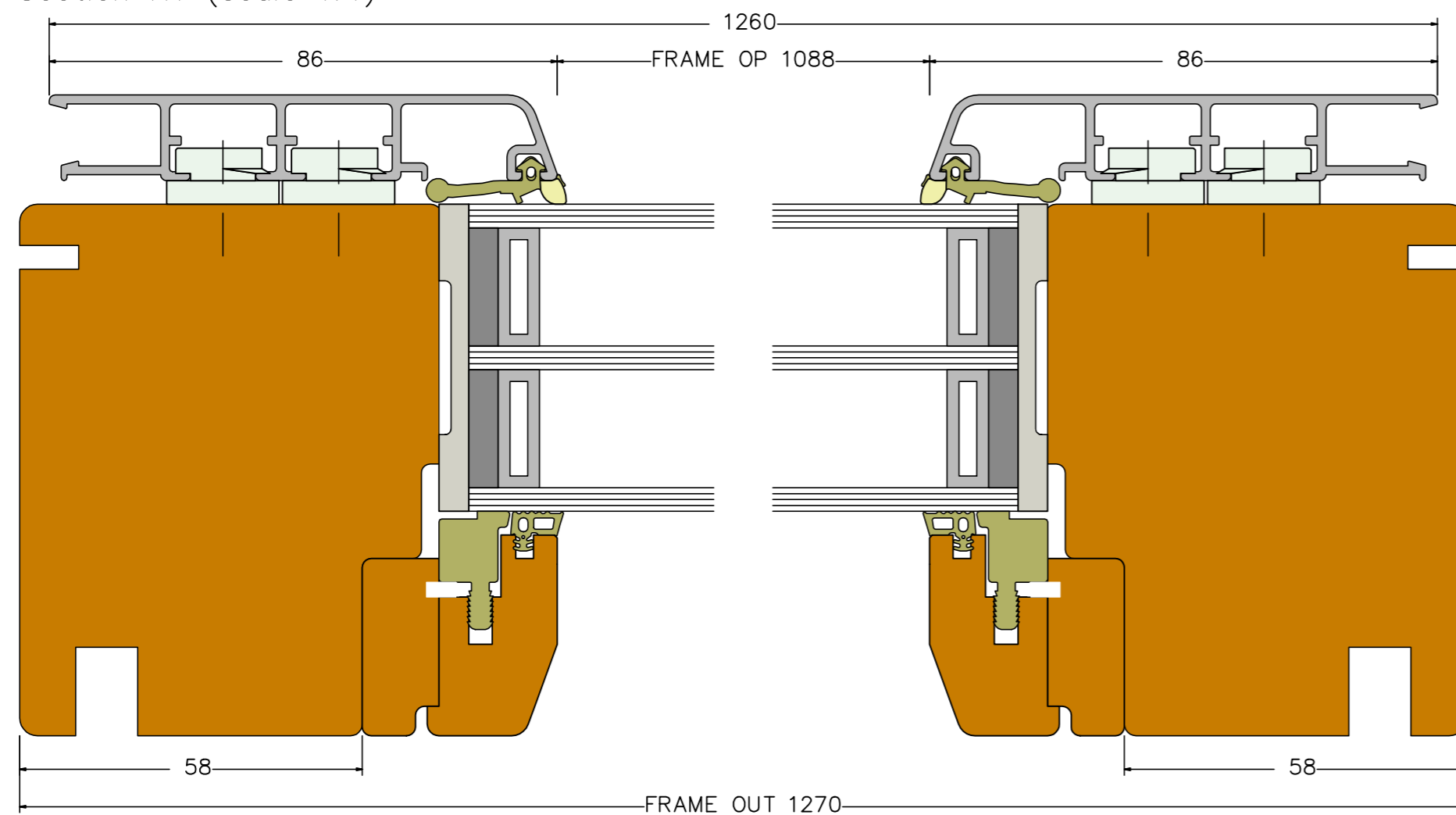


ThermaDura e-MOD Thermally Efficient Window/Door Modules	drawn	Date	Name
		30.05.2020	Rampe
Description: DesignLine e-MOD D-137 Timber-Aluminium fixed window			
<b>ThermaDura</b>	These drawings are protected by copyright and only to be used in conjunction with the supply of ThermaDura products. This drawing is an instrument of service and is provided for informational use only. © 2019 ThermaDura Ltd		

View from inside (scale 1:15)

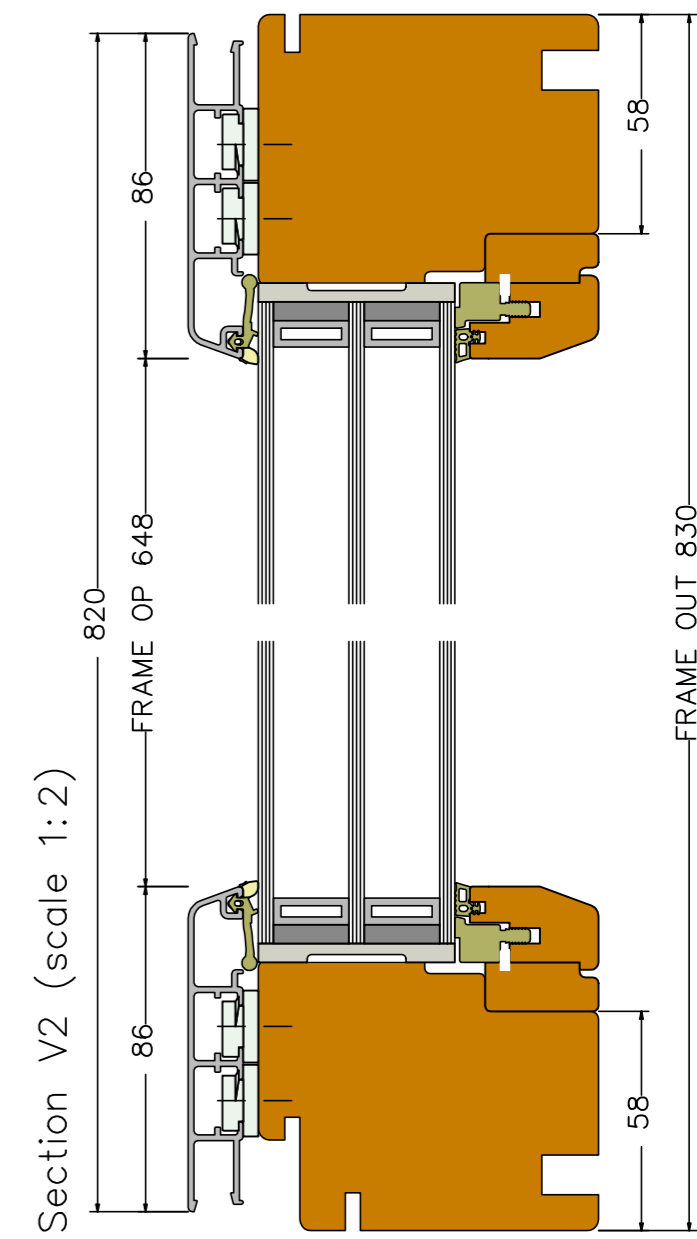
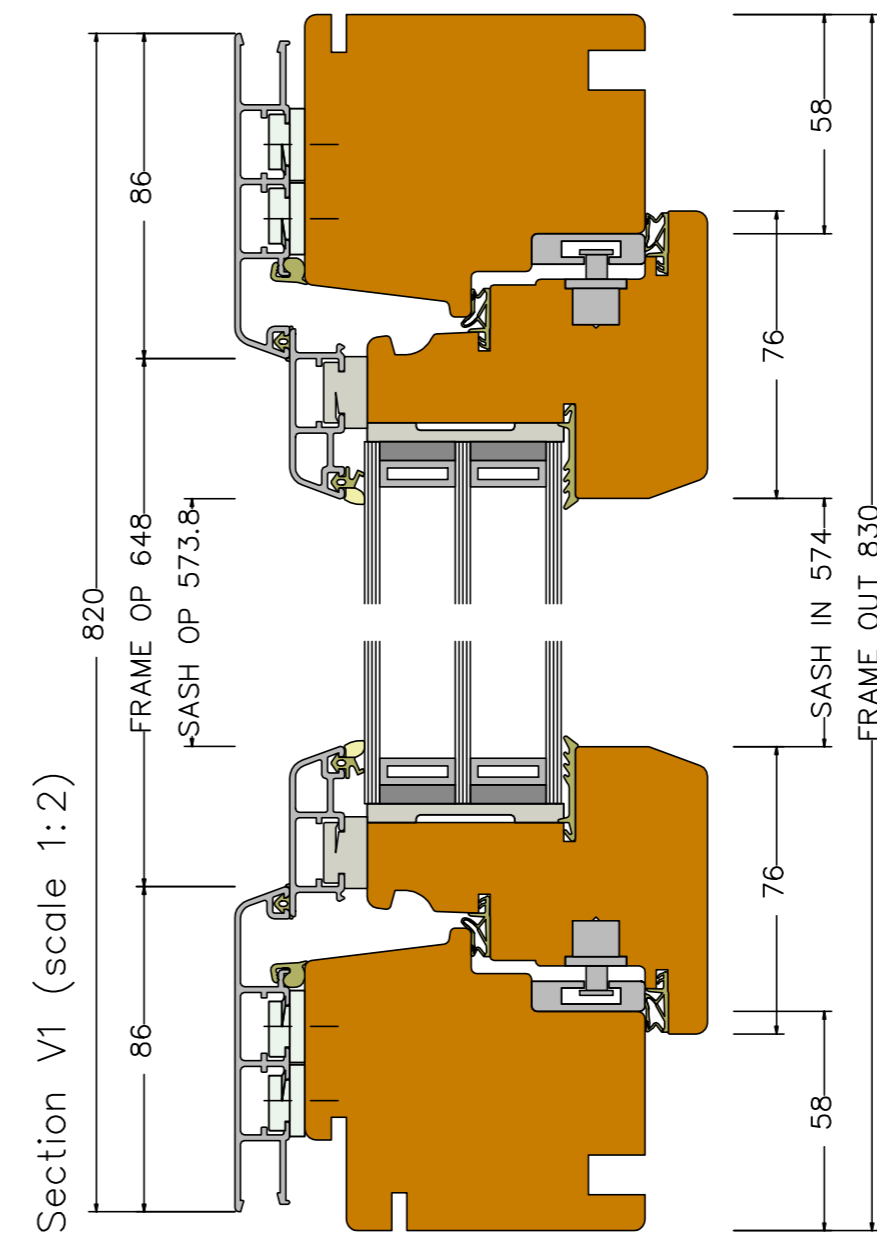
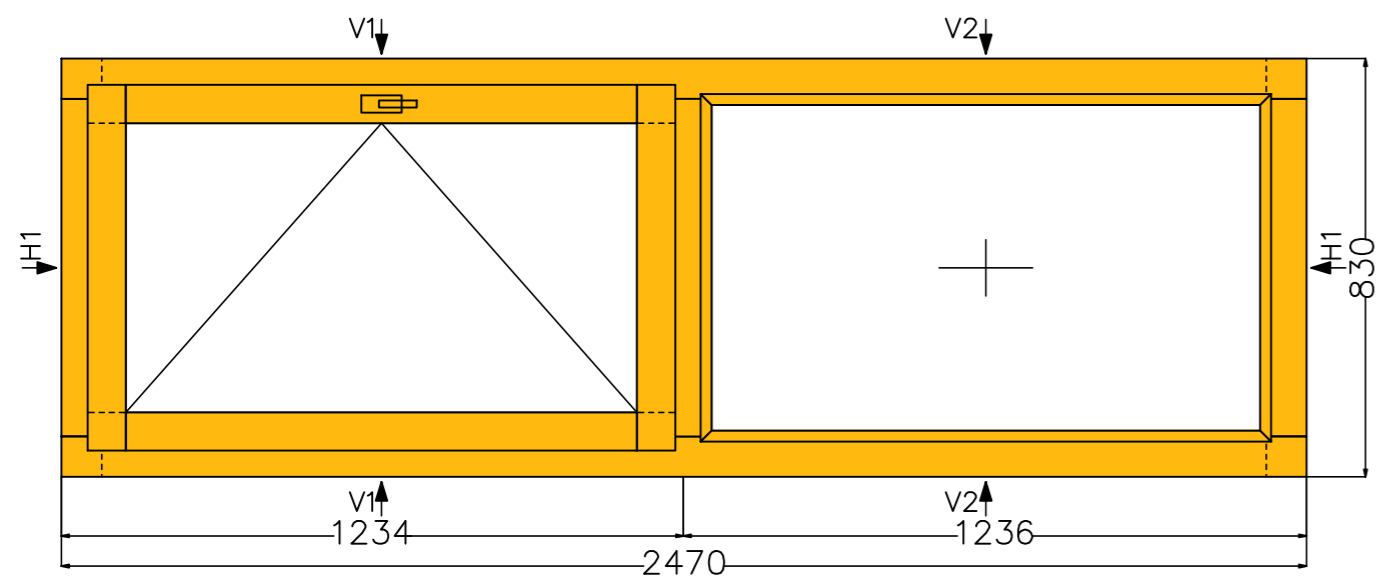


Section H1 (scale 1:1)

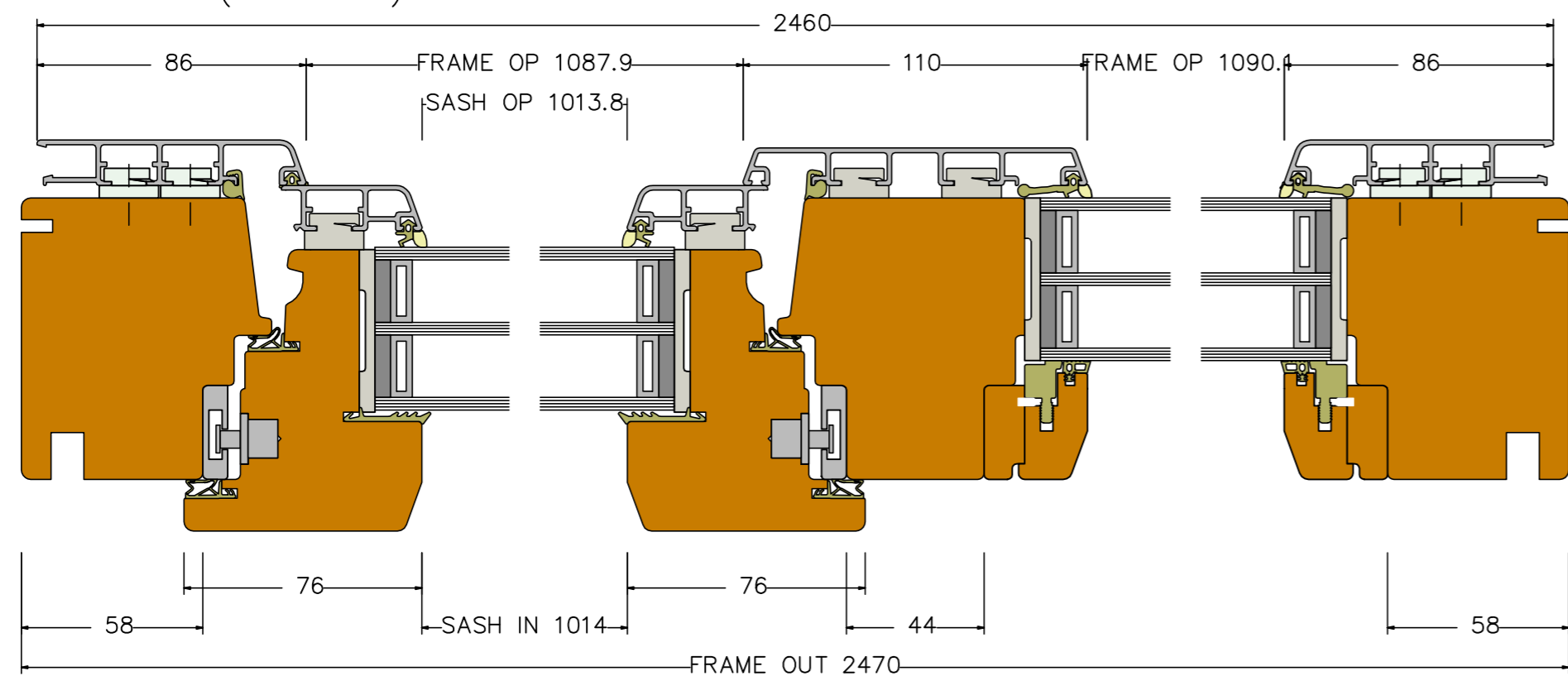


ThermaDura e-MOD Thermally Efficient Window/Door Modules	drawn	Date	Name
		30.05.2020	Rampe
Description: DesignLine e-MOD D-138 Timber-Aluminium fixed window			
<b>ThermaDura</b>	These drawings are protected by copyright and only to be used in conjunction with the supply of ThermaDura products. This drawing is an instrument of service and is provided for informational use only. © 2019 ThermaDura Ltd		

View from inside (scale 1:15)

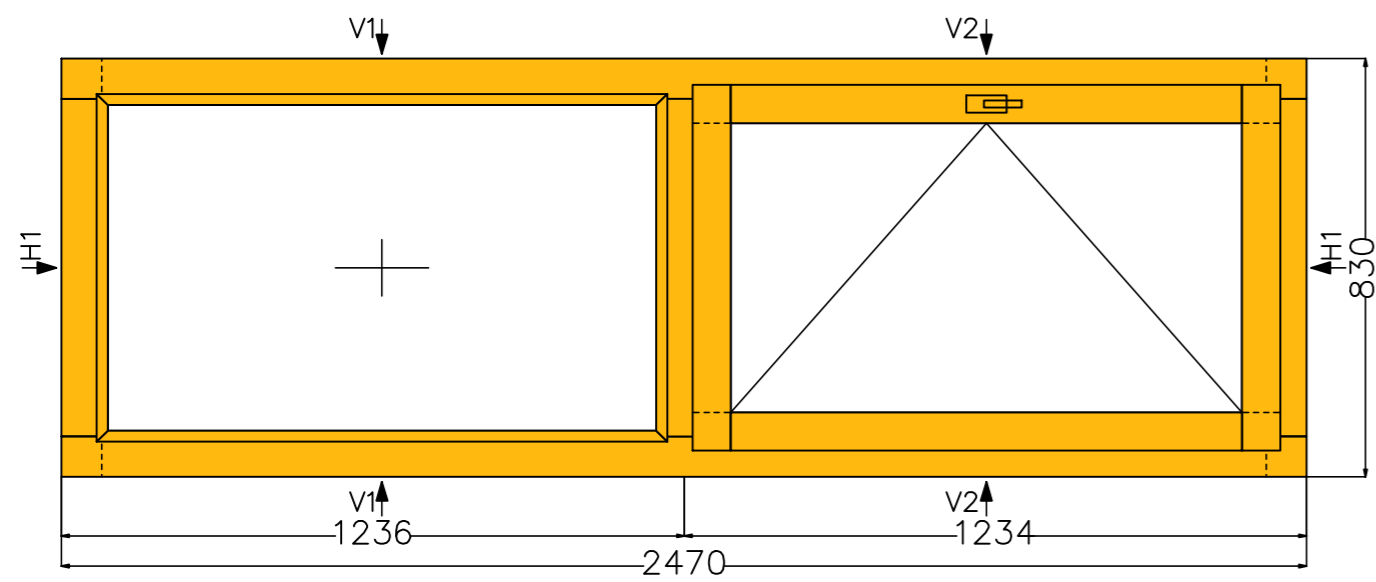


Section H1 (scale 1:2)

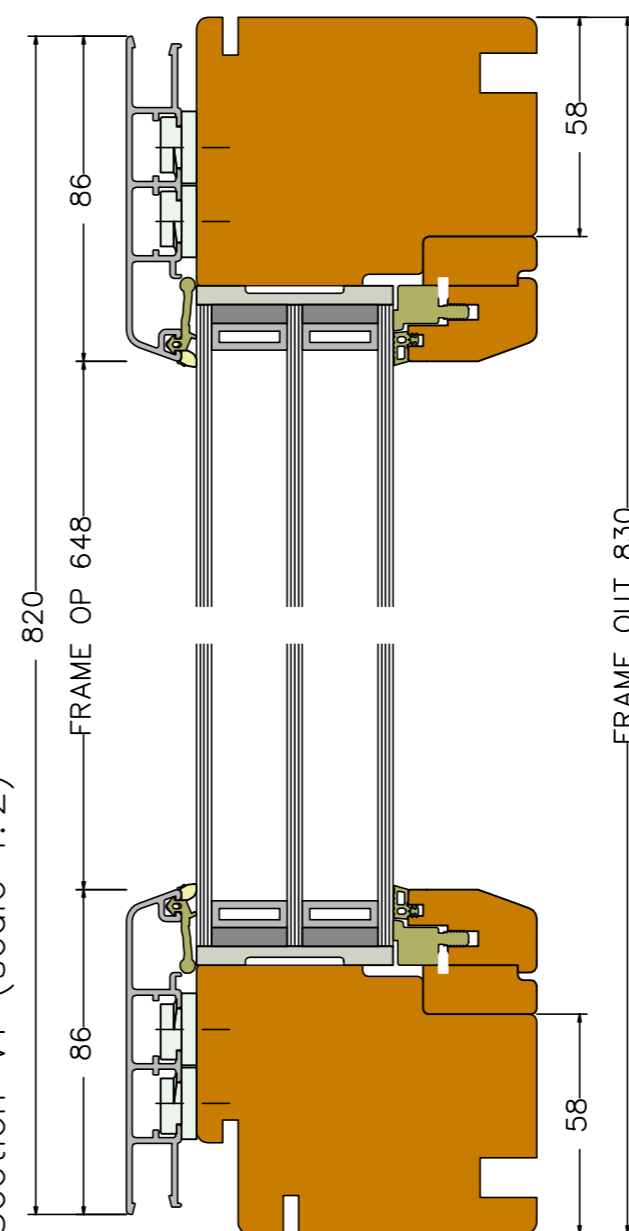


ThermaDura e-MOD Thermally Efficient Window/Door Modules	drawn	Date	Name
		30.05.2020	Rampe
Description: DesignLine e-MOD D-139 Timber-Aluminium tilt window			
<b>ThermaDura</b>	These drawings are protected by copyright and only to be used in conjunction with the supply of ThermaDura products. This drawing is an instrument of service and is provided for informational use only. © 2019 ThermaDura Ltd		

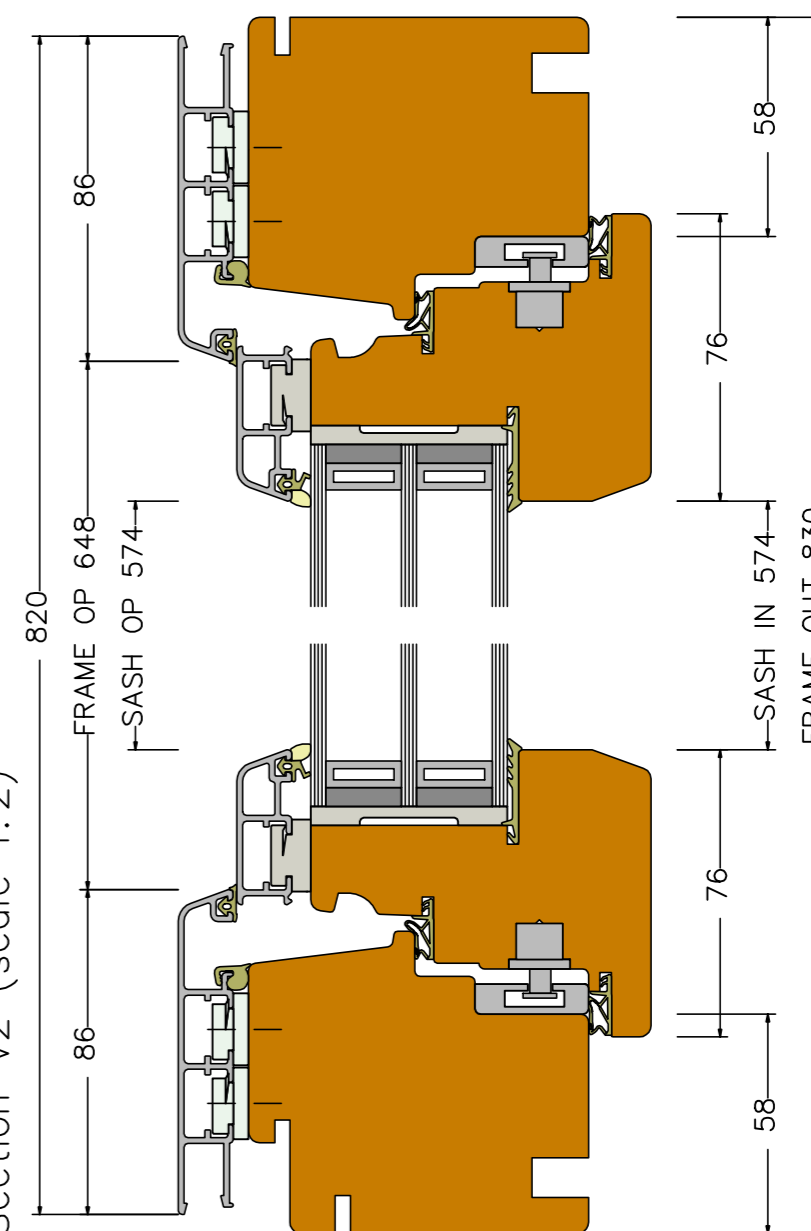
View from inside (scale 1:15)



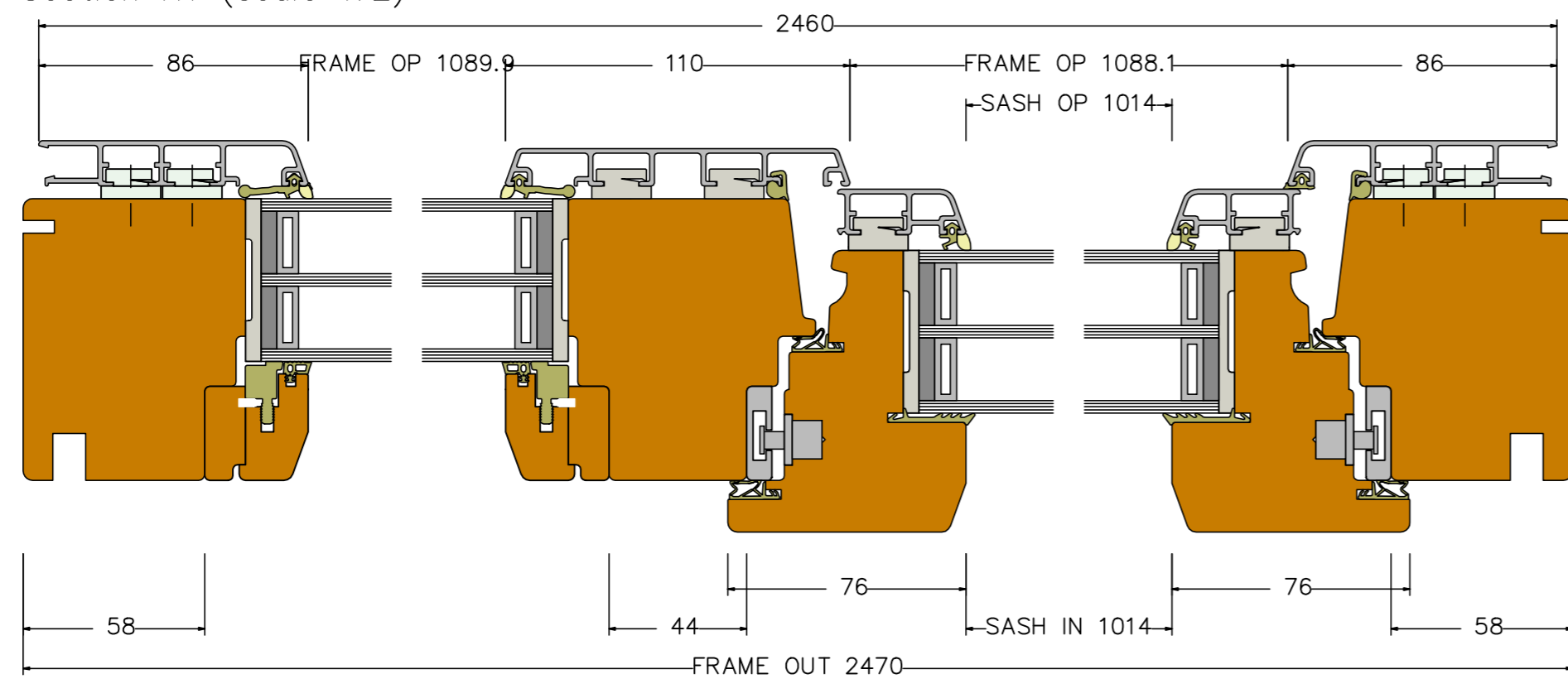
Section V1 (scale 1:2)



Section V2 (scale 1:2)

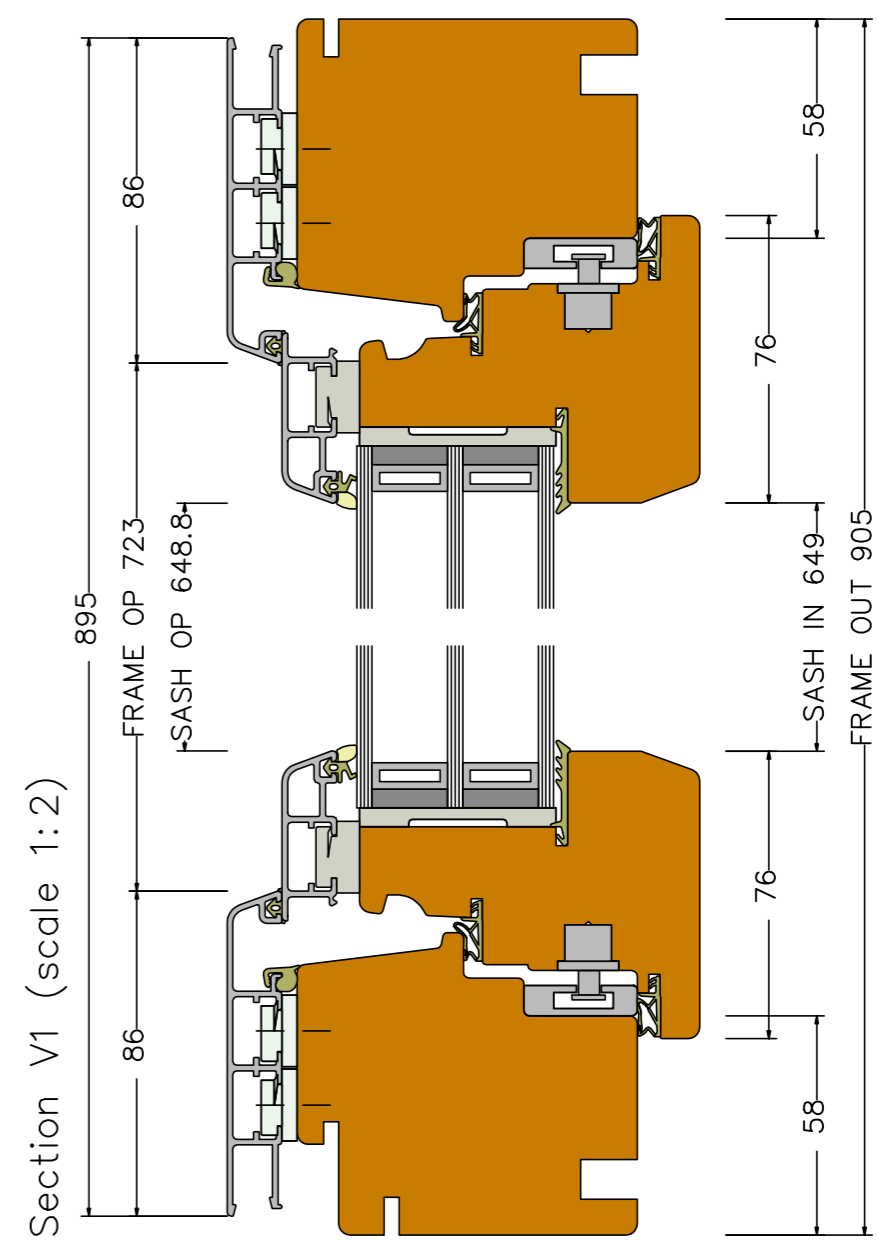
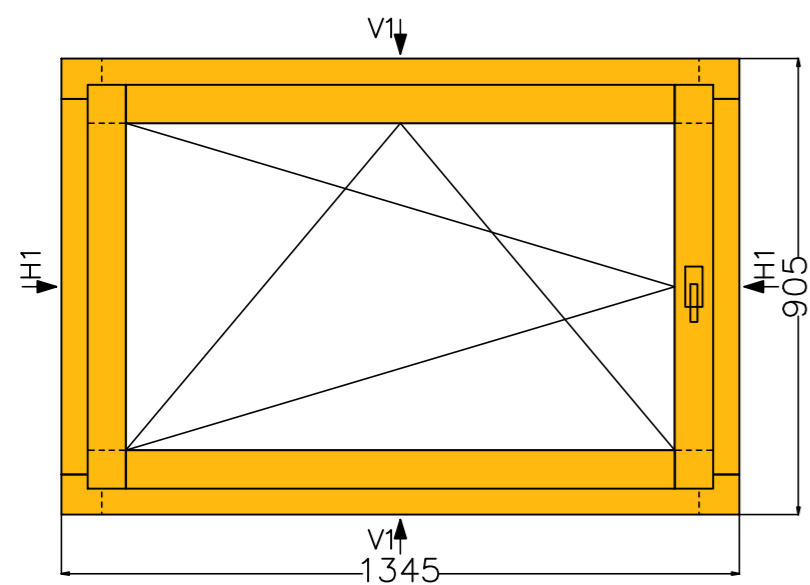


Section H1 (scale 1:2)

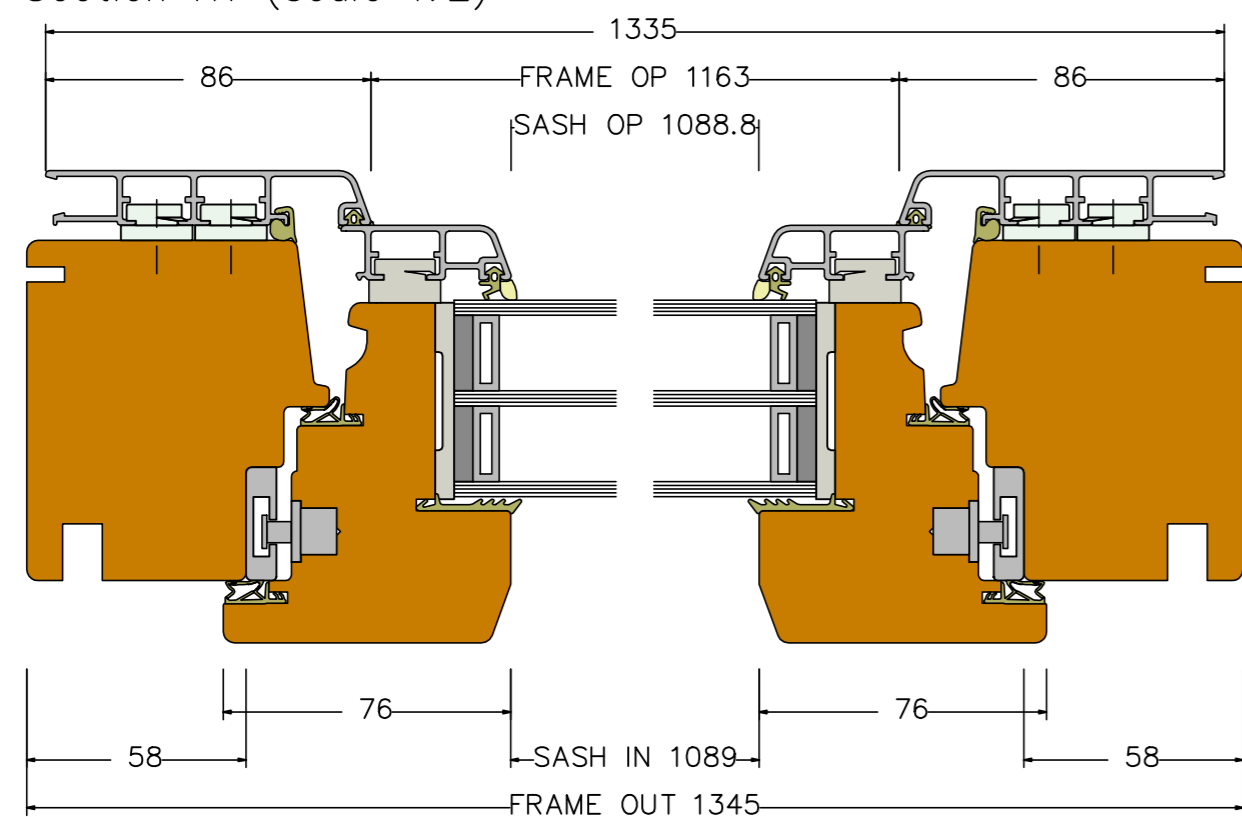


ThermaDura e-MOD Thermally Efficient Window/Door Modules	drawn	Date	Name
		30.05.2020	Rampe
Description: DesignLine e-MOD D-140 Timber-Aluminium tilt window			
<b>ThermaDura</b>	These drawings are protected by copyright and only to be used in conjunction with the supply of ThermaDura products. This drawing is an instrument of service and is provided for informational use only. © 2019 ThermaDura Ltd		

View from inside (scale 1:15)

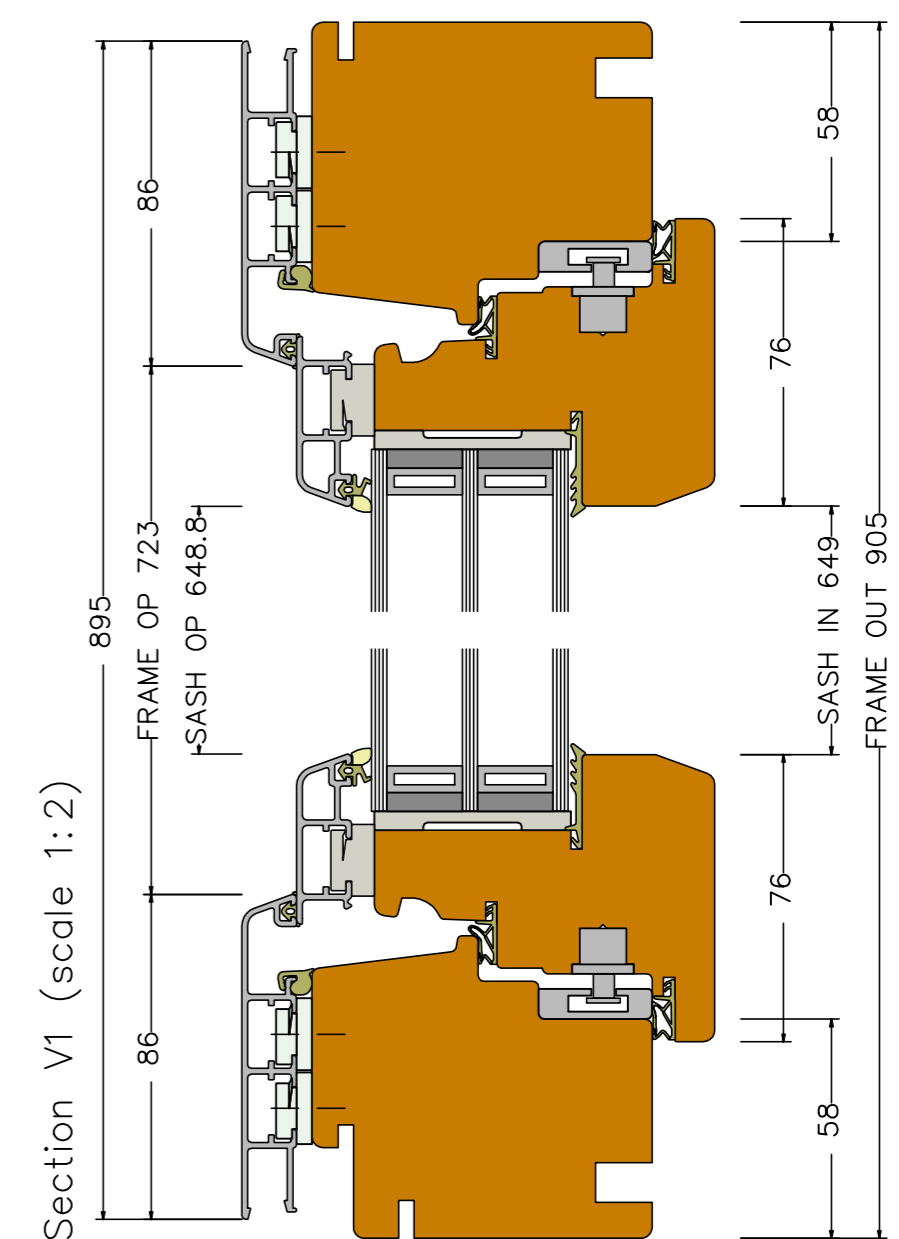
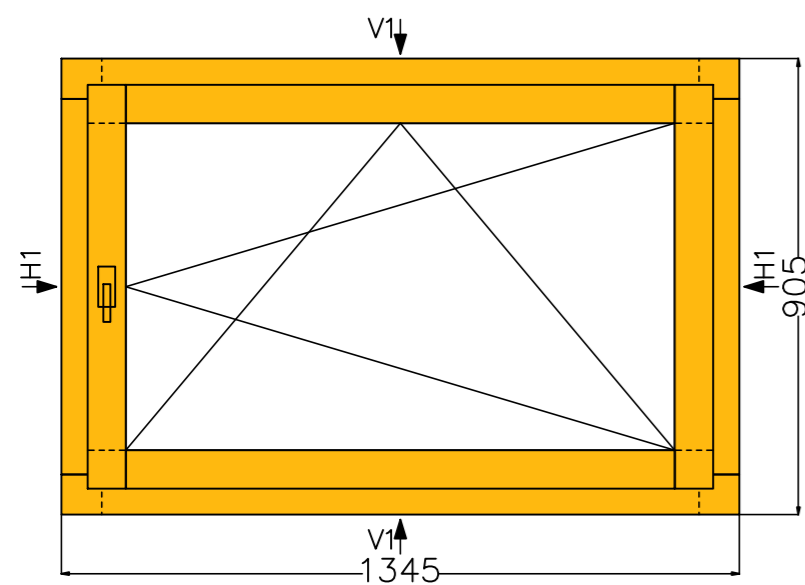


Section H1 (scale 1:2)

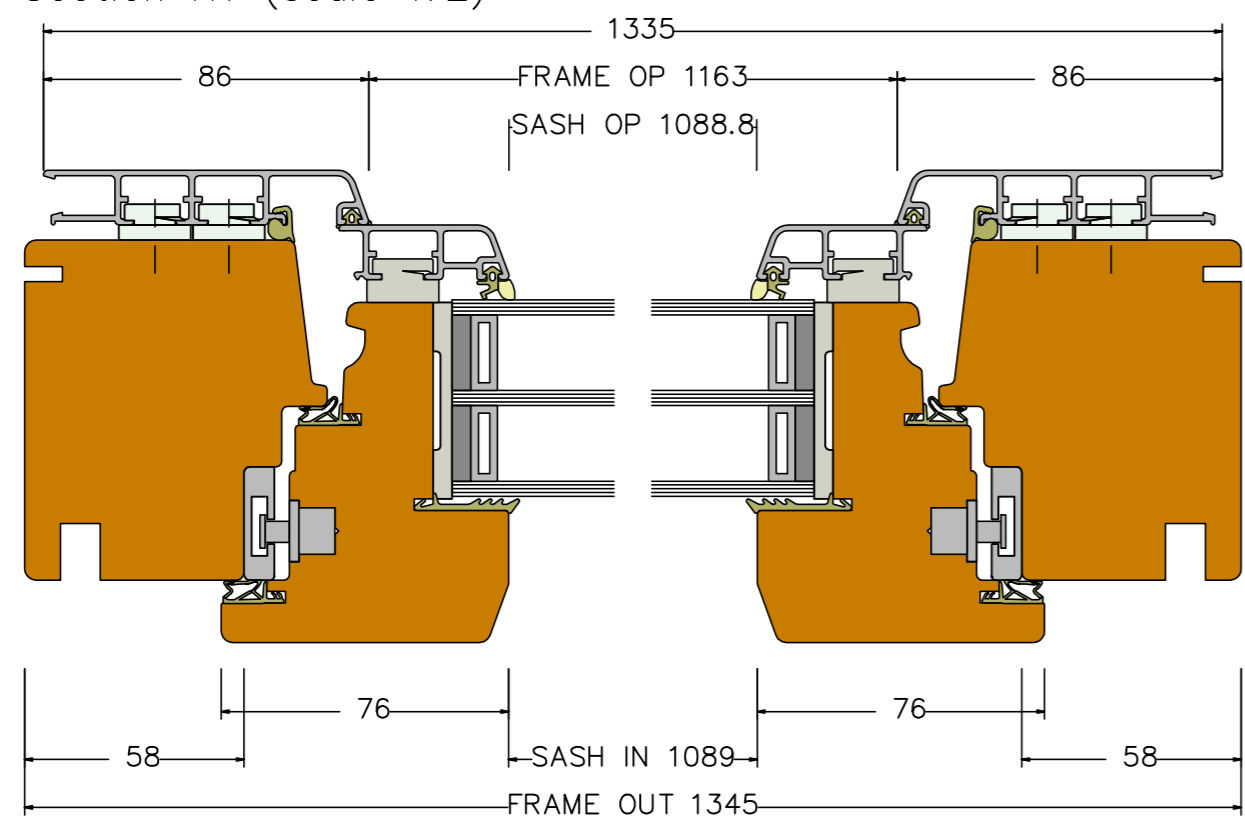


ThermaDura e-MOD Thermally Efficient Window/Door Modules	drawn	Date	Name
		30.05.2020	Rampe
Description: DesignLine e-MOD D-141 Timber-Aluminium tilt-turn window			
<b>ThermaDura</b>	These drawings are protected by copyright and only to be used in conjunction with the supply of Thermadura products. This drawing is an instrument of service and is provided for informational use only. © 2019 Thermadura Ltd		

View from inside (scale 1:15)

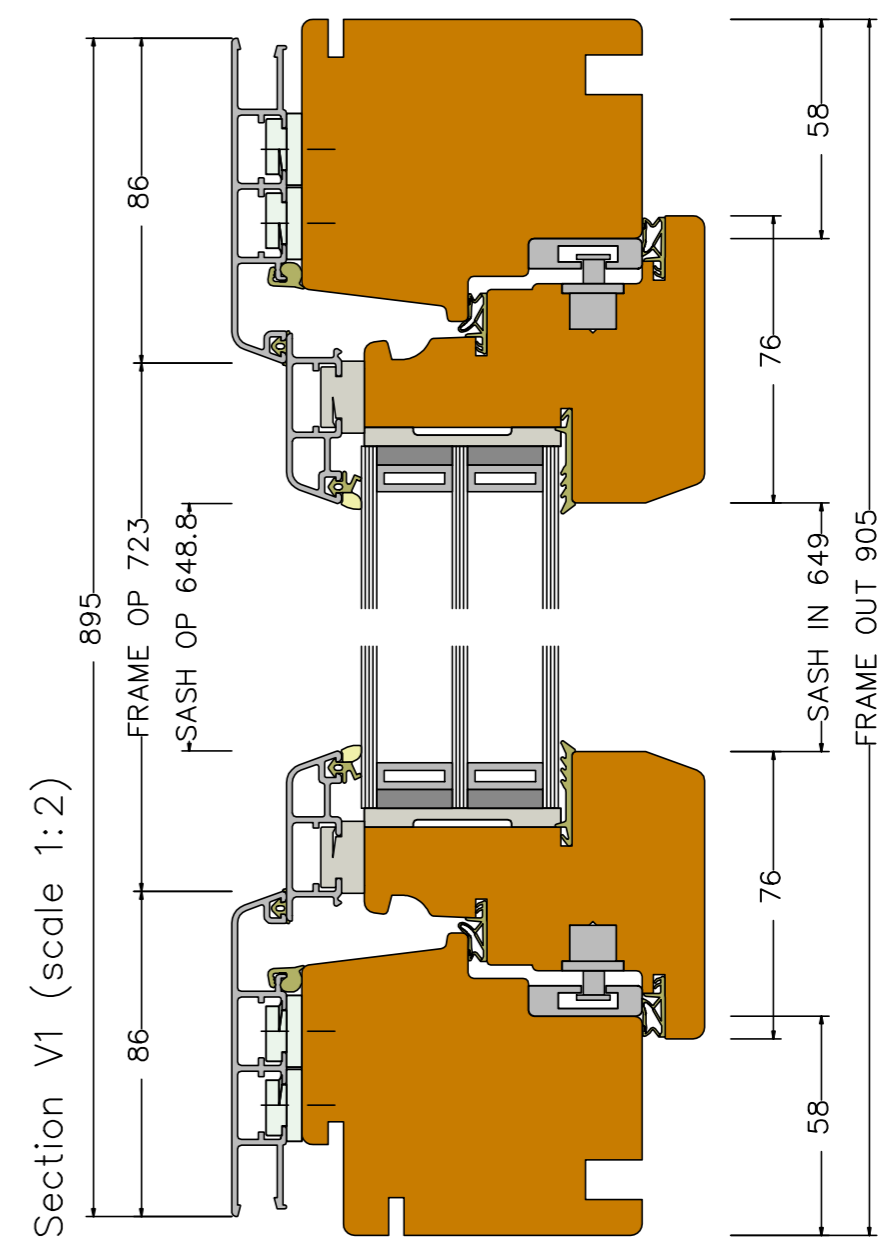
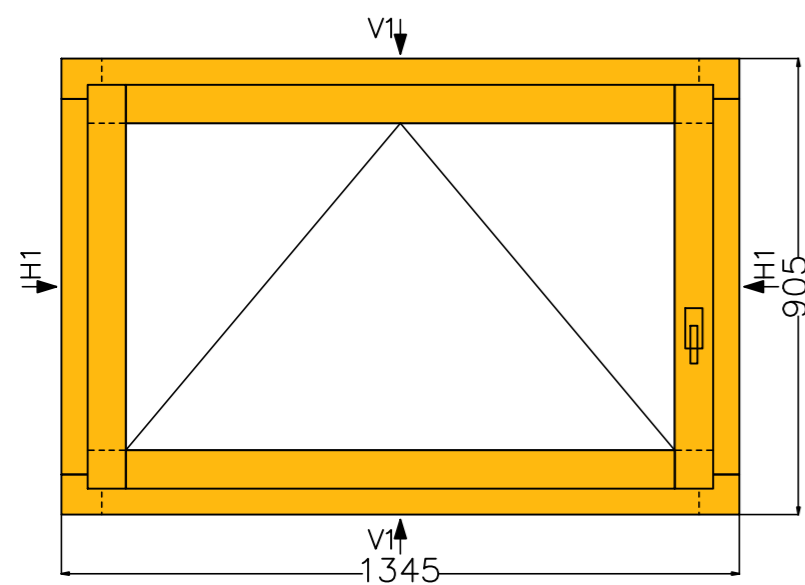


Section H1 (scale 1:2)

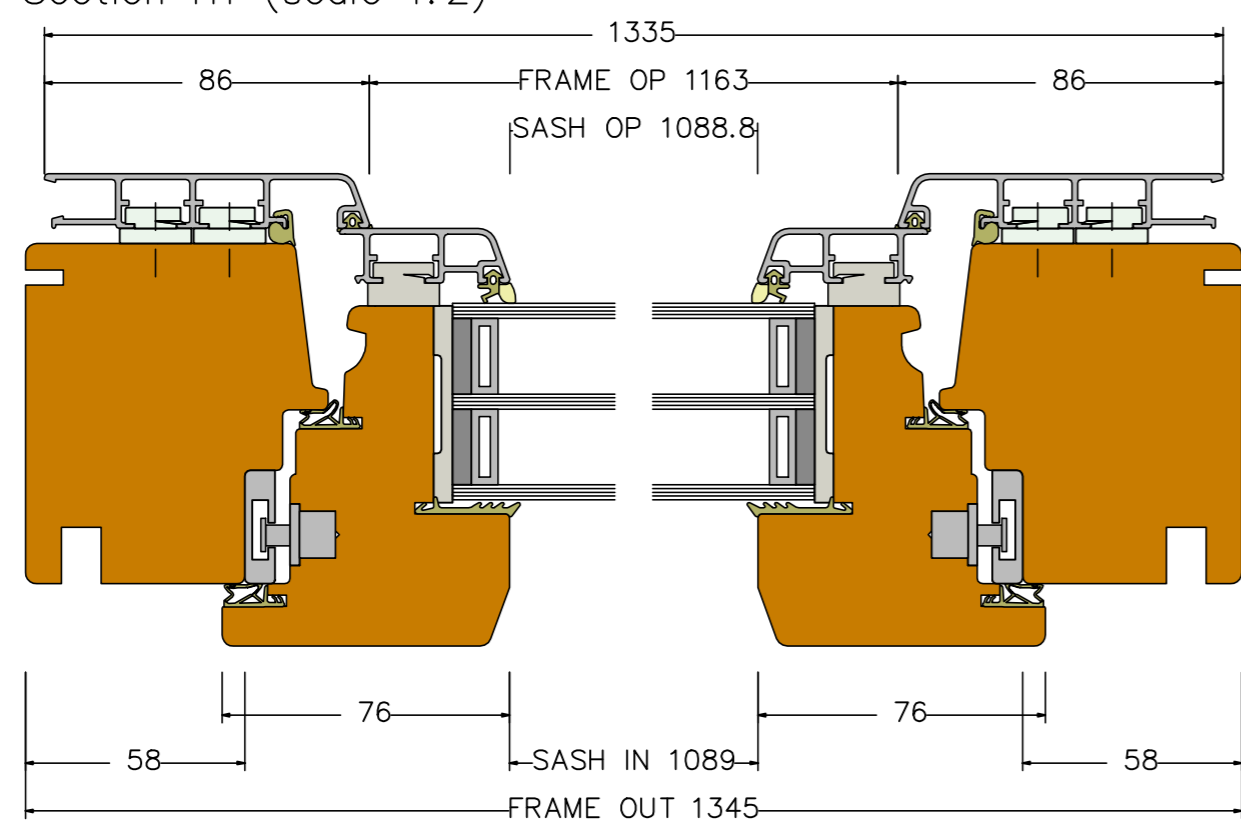


ThermaDura e-MOD Thermally Efficient Window/Door Modules	drawn	Date	Name
		30.05.2020	Rampe
Description: DesignLine e-MOD D-142 Timber-Aluminium tilt-turn window			
<b>ThermaDura</b>	These drawings are protected by copyright and only to be used in conjunction with the supply of Thermadura products. This drawing is an instrument of service and is provided for informational use only. © 2019 ThermaDura Ltd		

View from inside (scale 1:15)



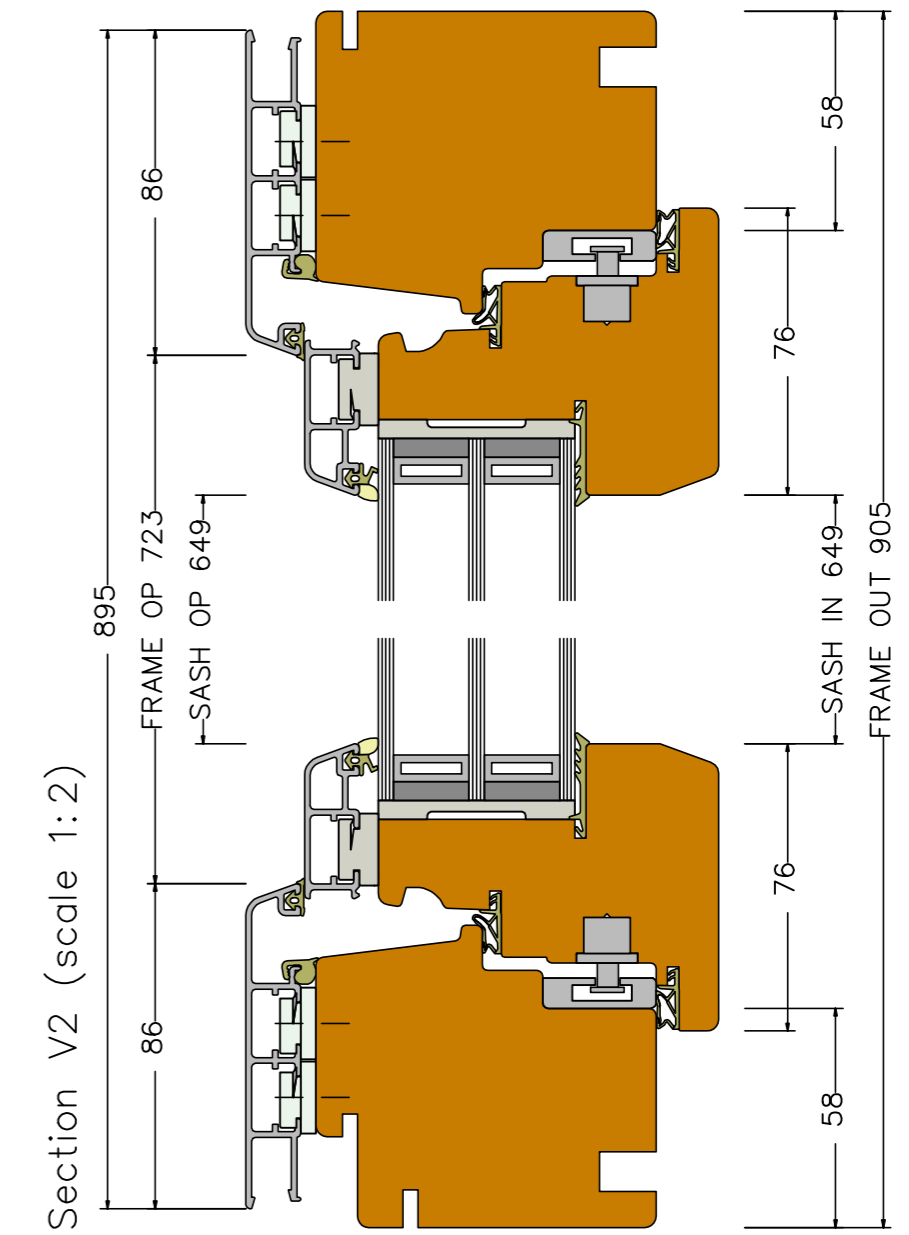
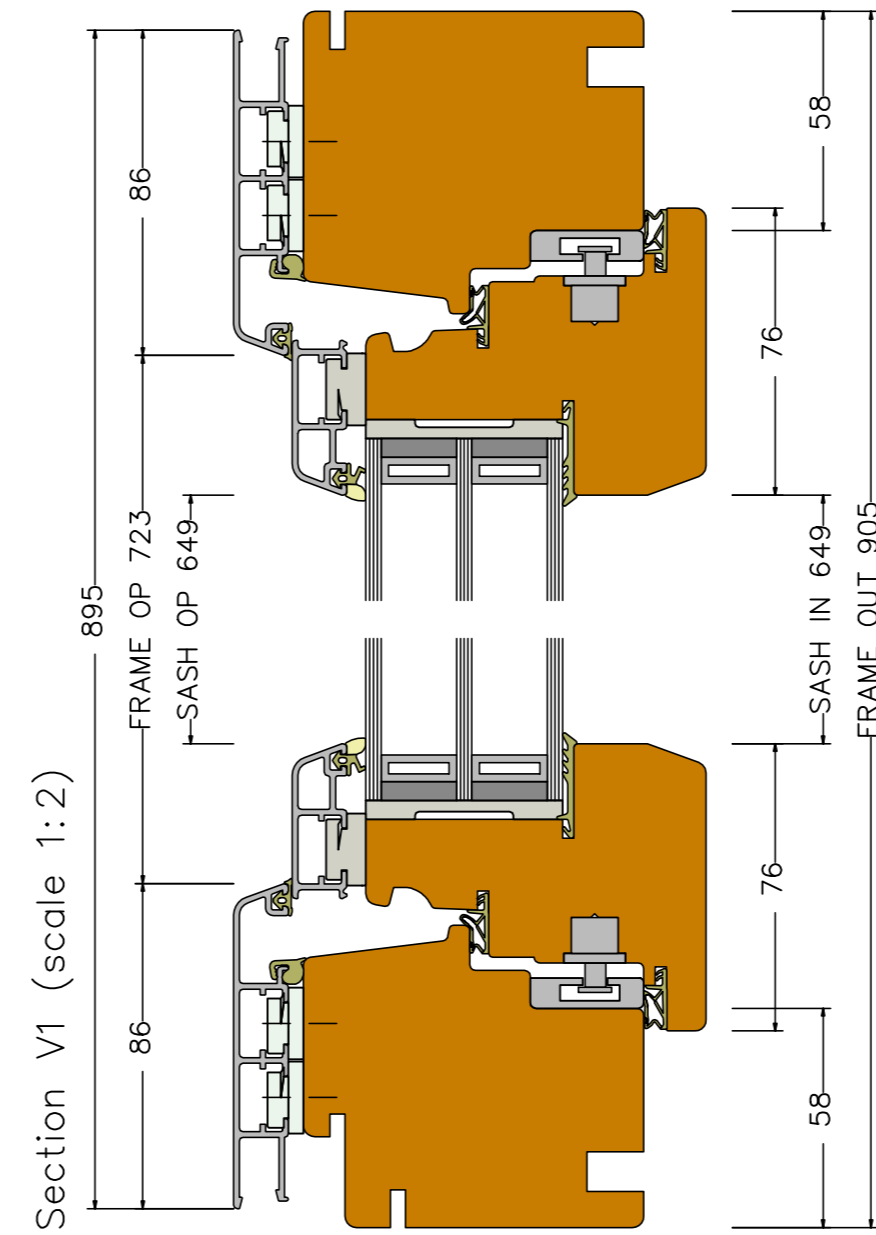
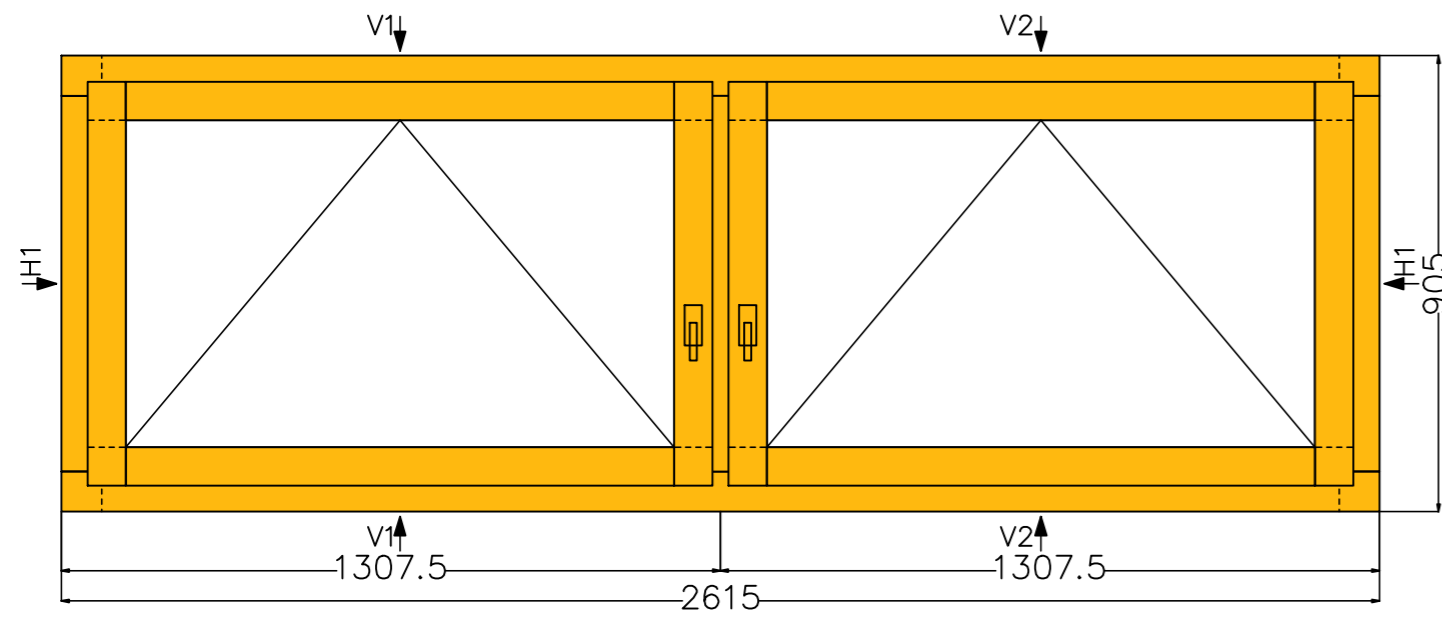
Section H1 (scale 1:2)



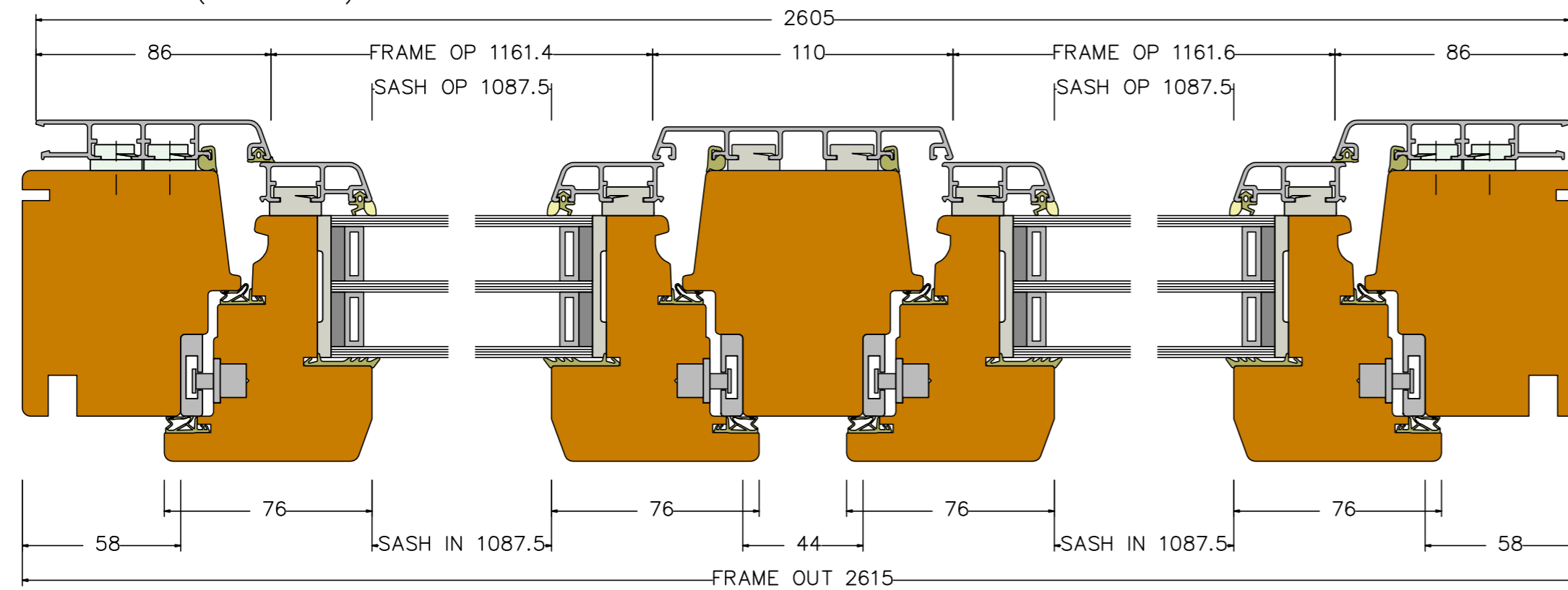
ThermaDura e-MOD Thermally Efficient Window/Door Modules	drawn	Date	Name
		30.05.2020	Rampe
Description: DesignLine e-MOD D-143 Timber-Aluminium tilt window			
<b>ThermaDura</b>	These drawings are protected by copyright and only to be used in conjunction with the supply of Thermadura products. This drawing is an instrument of service and is provided for informational use only. © 2019 ThermaDura Ltd		



View from inside (scale 1:15)

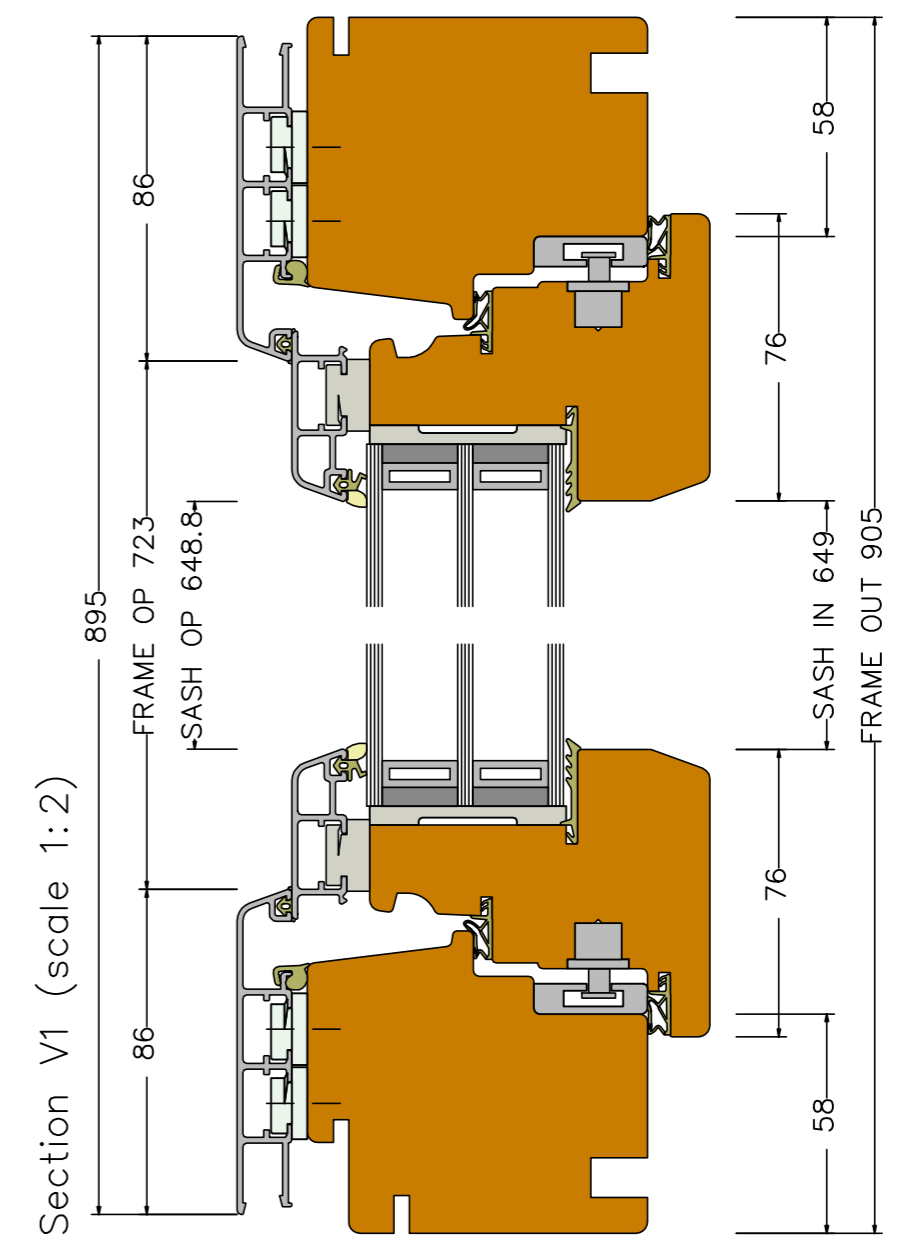
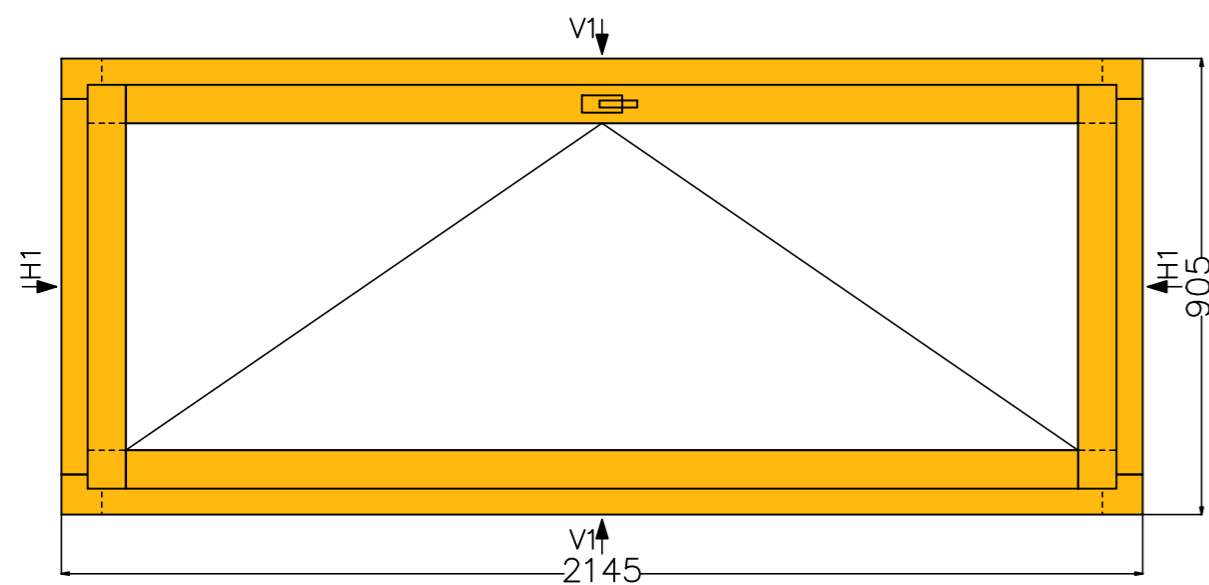


Section H1 (scale 1:2)

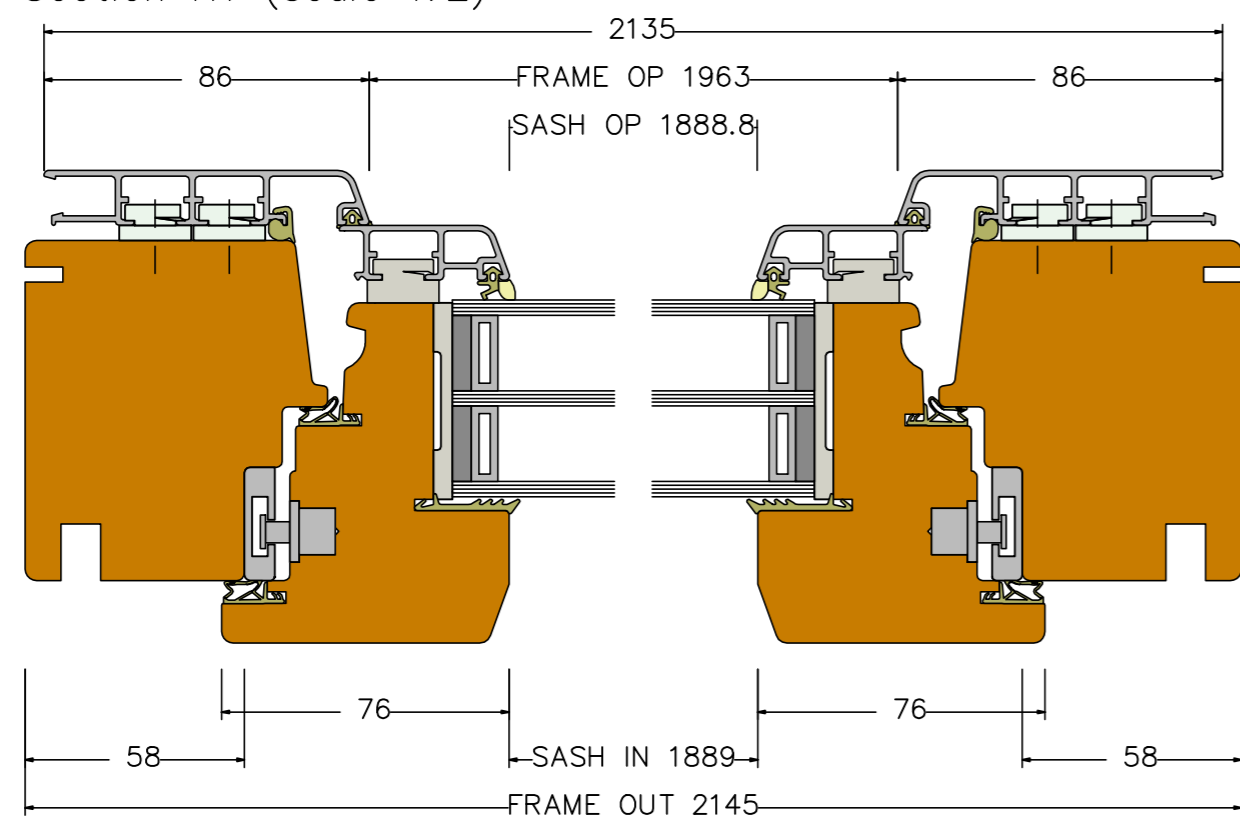


ThermaDura e-MOD Thermally Efficient Window/Door Modules	drawn	Date	Name
		30.05.2020	Rampe
Description: DesignLine e-MOD D-144 Timber-Aluminium tilt window			
<b>ThermaDura</b>	These drawings are protected by copyright and only to be used in conjunction with the supply of ThermaDura products. This drawing is an instrument of service and is provided for informational use only. © 2019 ThermaDura Ltd		

View from inside (scale 1:15)

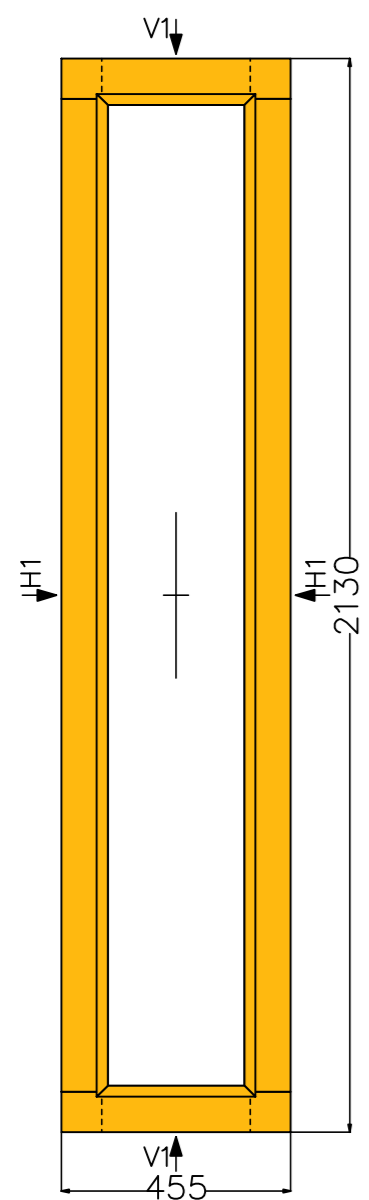


Section H1 (scale 1:2)

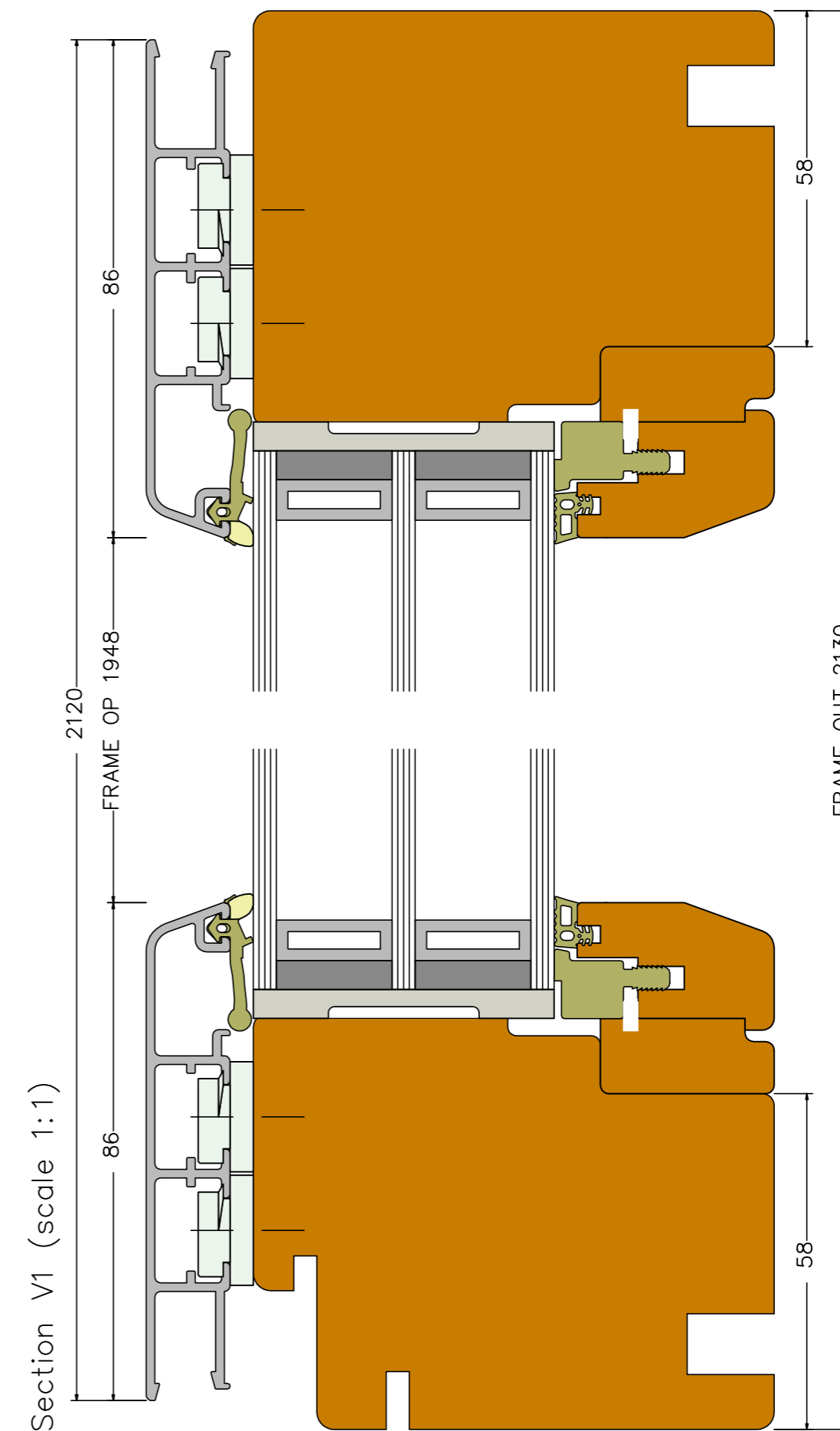
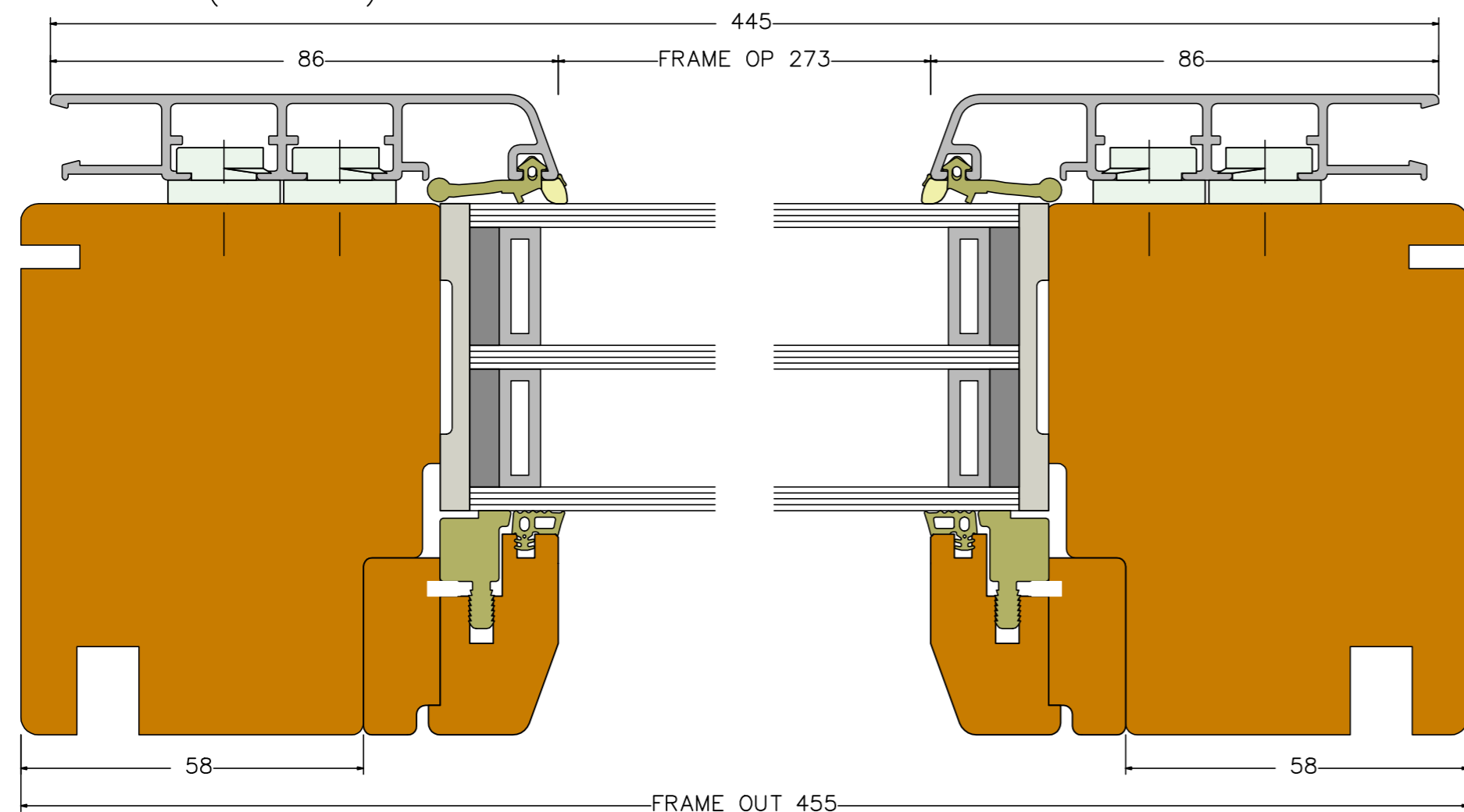


ThermaDura e-MOD Thermally Efficient Window/Door Modules	drawn	Date	Name
Description: DesignLine e-MOD D-145 Timber-Aluminium tilt window		30.05.2020	Rampe
<b>ThermaDura</b>	These drawings are protected by copyright and only to be used in conjunction with the supply of ThermaDura products. This drawing is an instrument of service and is provided for informational use only. © 2019 ThermaDura Ltd		

View from inside (scale 1:15)

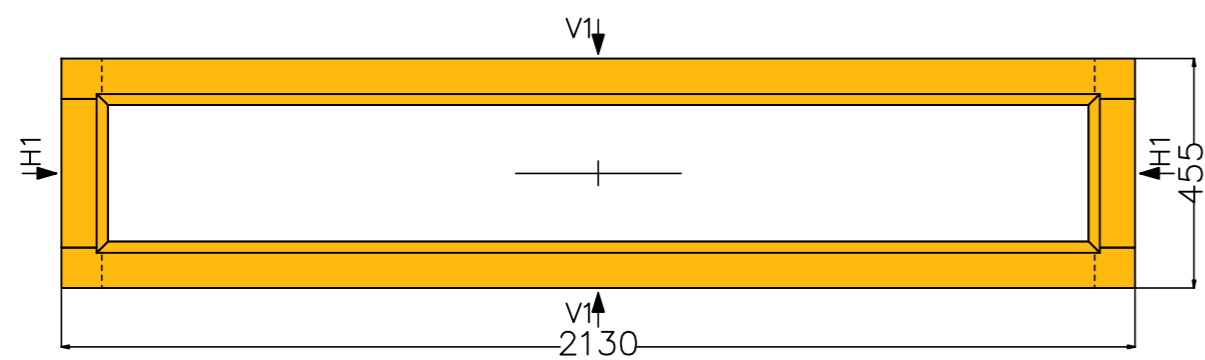


Section H1 (scale 1:1)

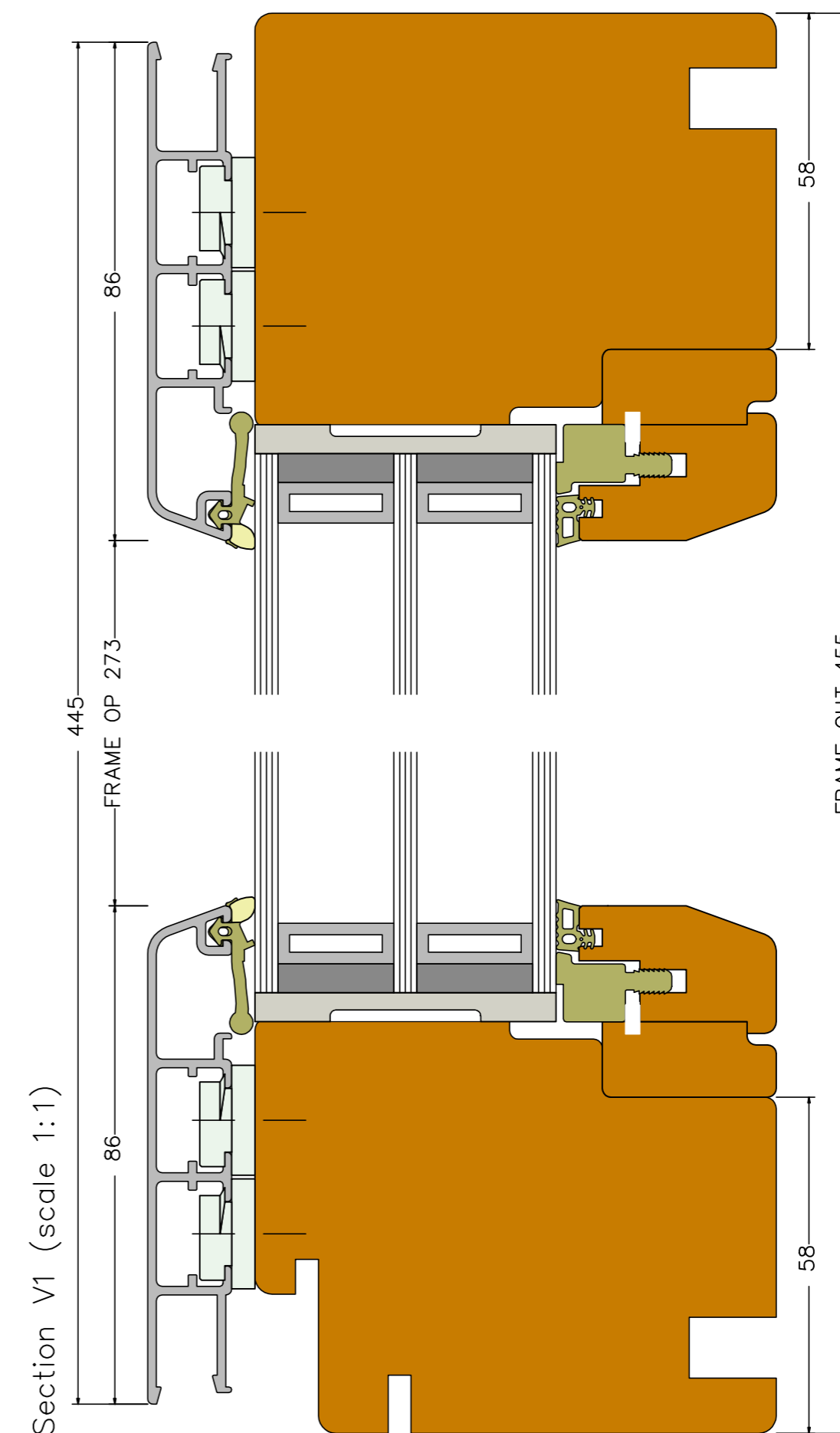
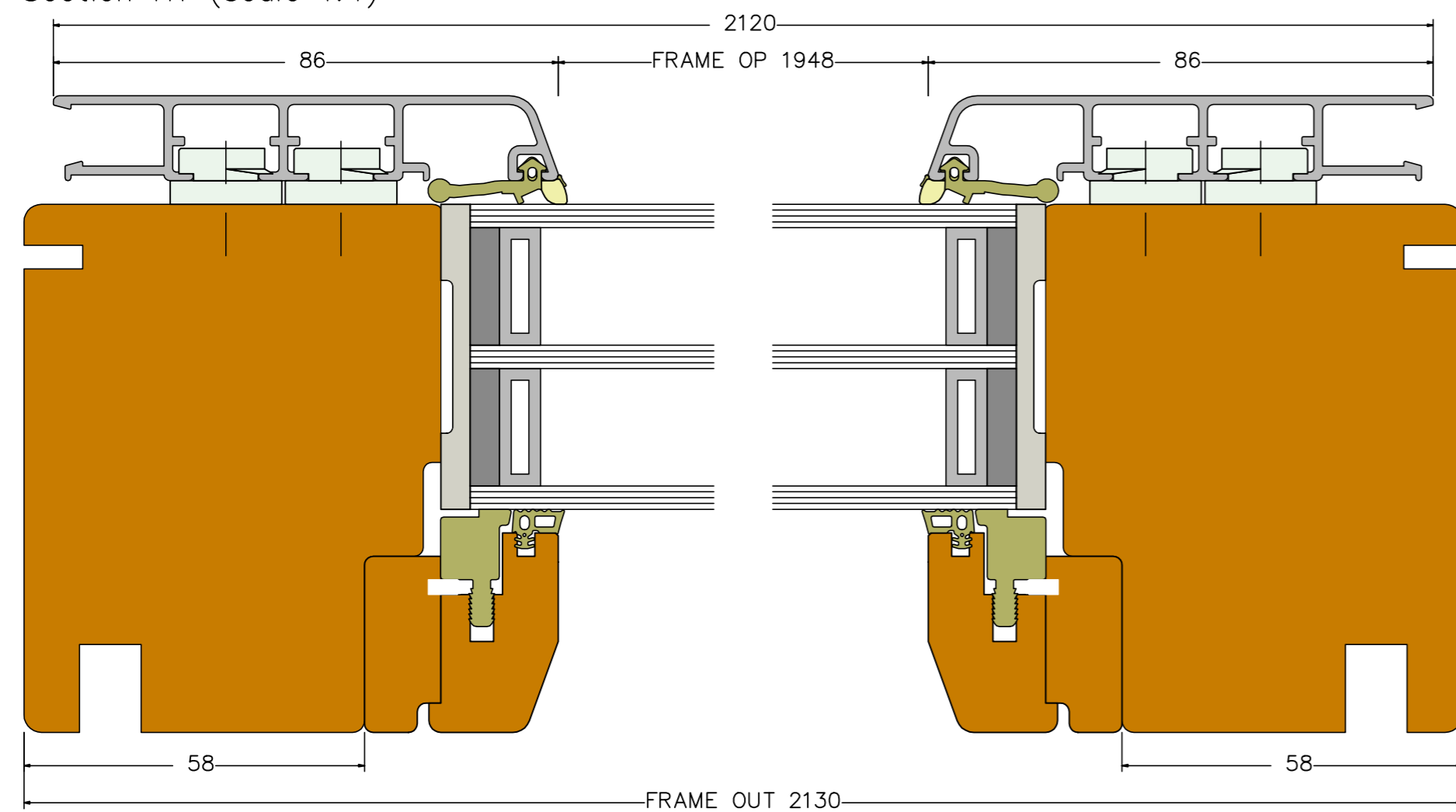


ThermaDura e-MOD Thermally Efficient Window/Door Modules	drawn	Date	Name
		30.05.2020	Rampe
Description: DesignLine e-MOD D-146 Timber-Aluminium fixed window			
<b>ThermaDura</b>	These drawings are protected by copyright and only to be used in conjunction with the supply of ThermaDura products. This drawing is an instrument of service and is provided for informational use only. © 2019 ThermaDura Ltd		

View from inside (scale 1:15)

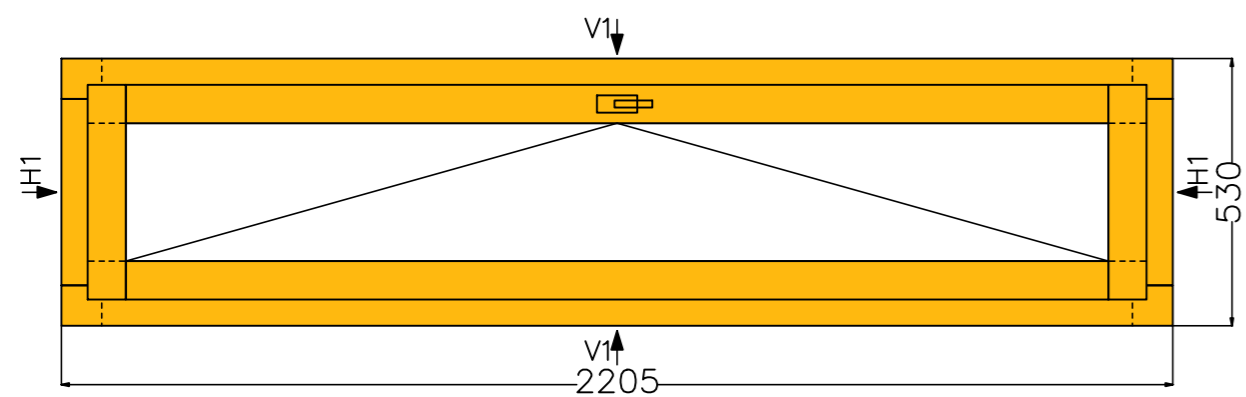


Section H1 (scale 1:1)

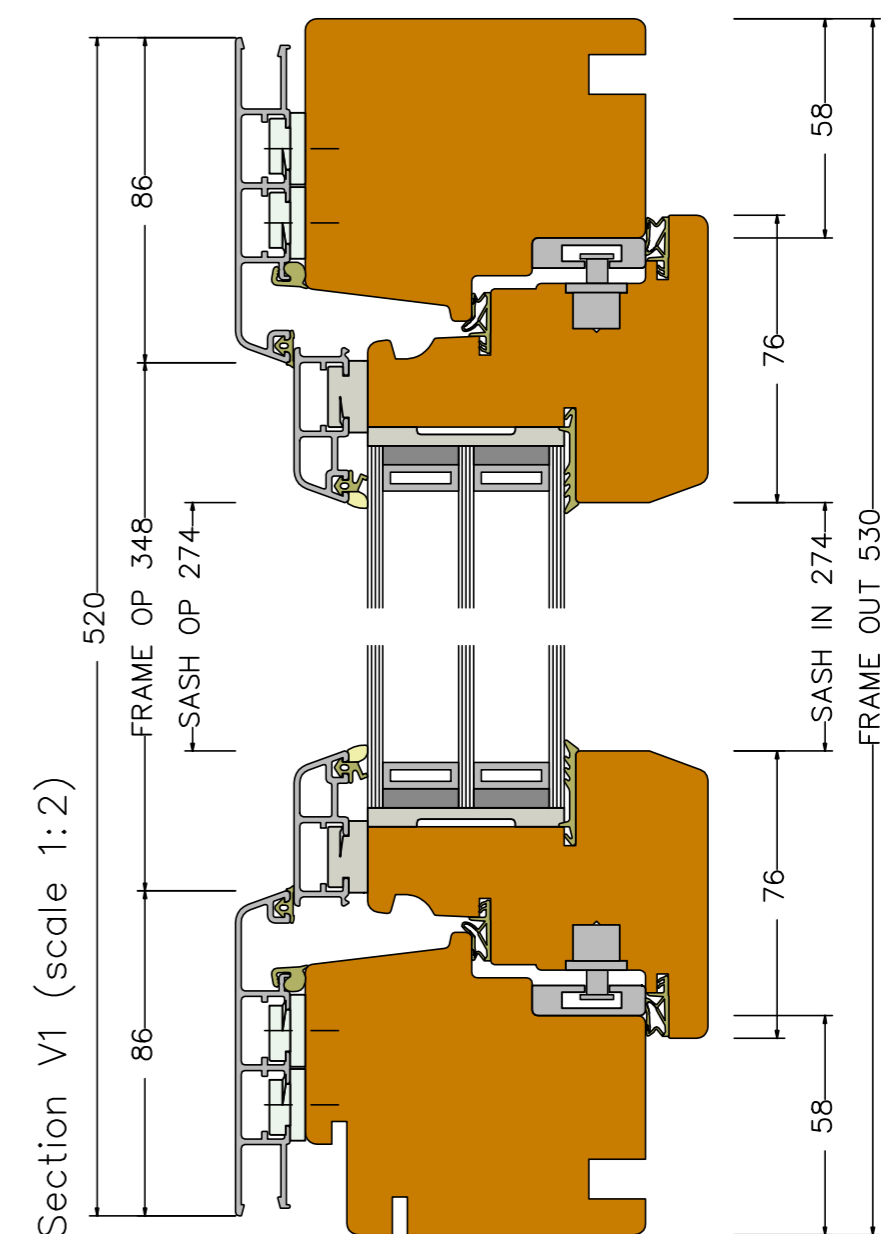
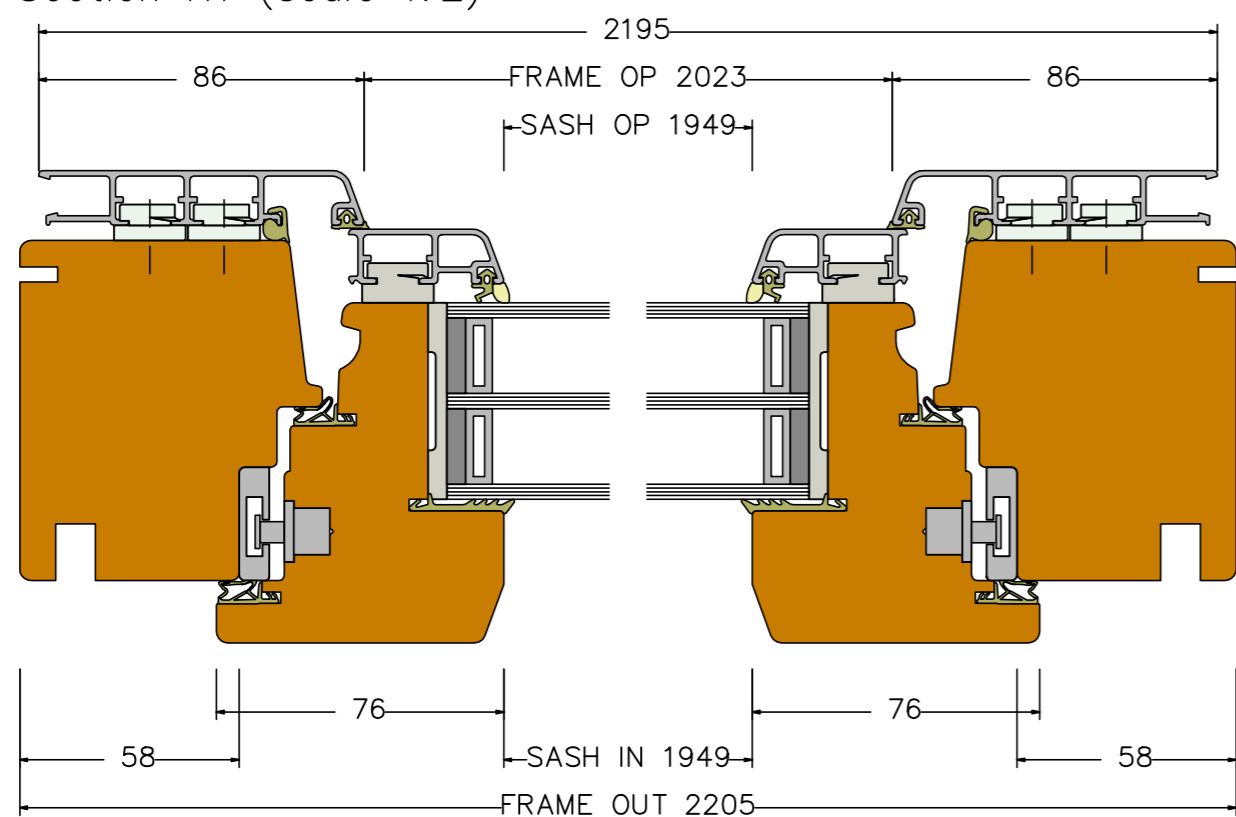


ThermaDura e-MOD Thermally Efficient Window/Door Modules	drawn	Date	Name
		30.05.2020	Rampe
Description: DesignLine e-MOD D-147 Timber-Aluminium fixed window			
<b>ThermaDura</b>	These drawings are protected by copyright and only to be used in conjunction with the supply of Thermadura products. This drawing is an instrument of service and is provided for informational use only. © 2019 Thermadura Ltd		

View from inside (scale 1:15)

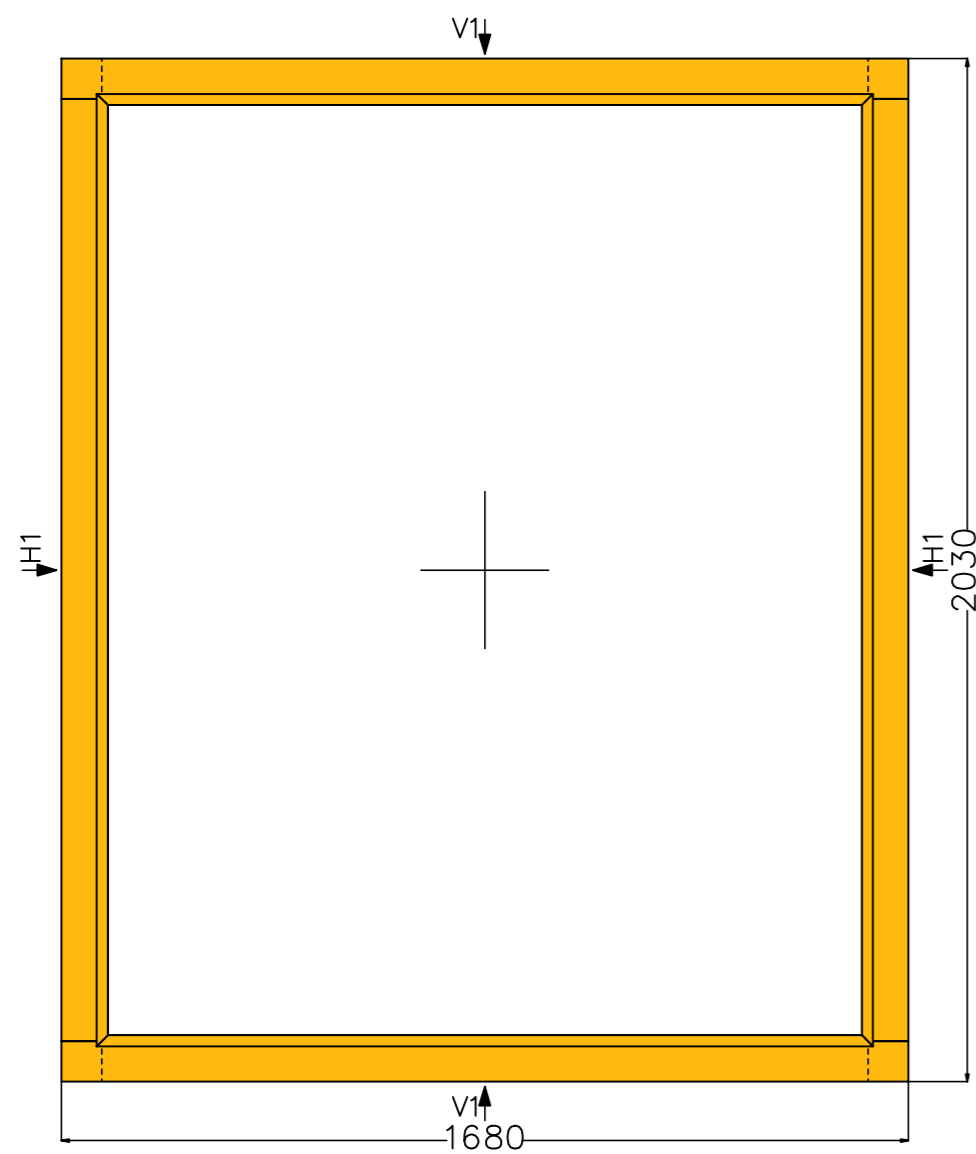


Section H1 (scale 1:2)

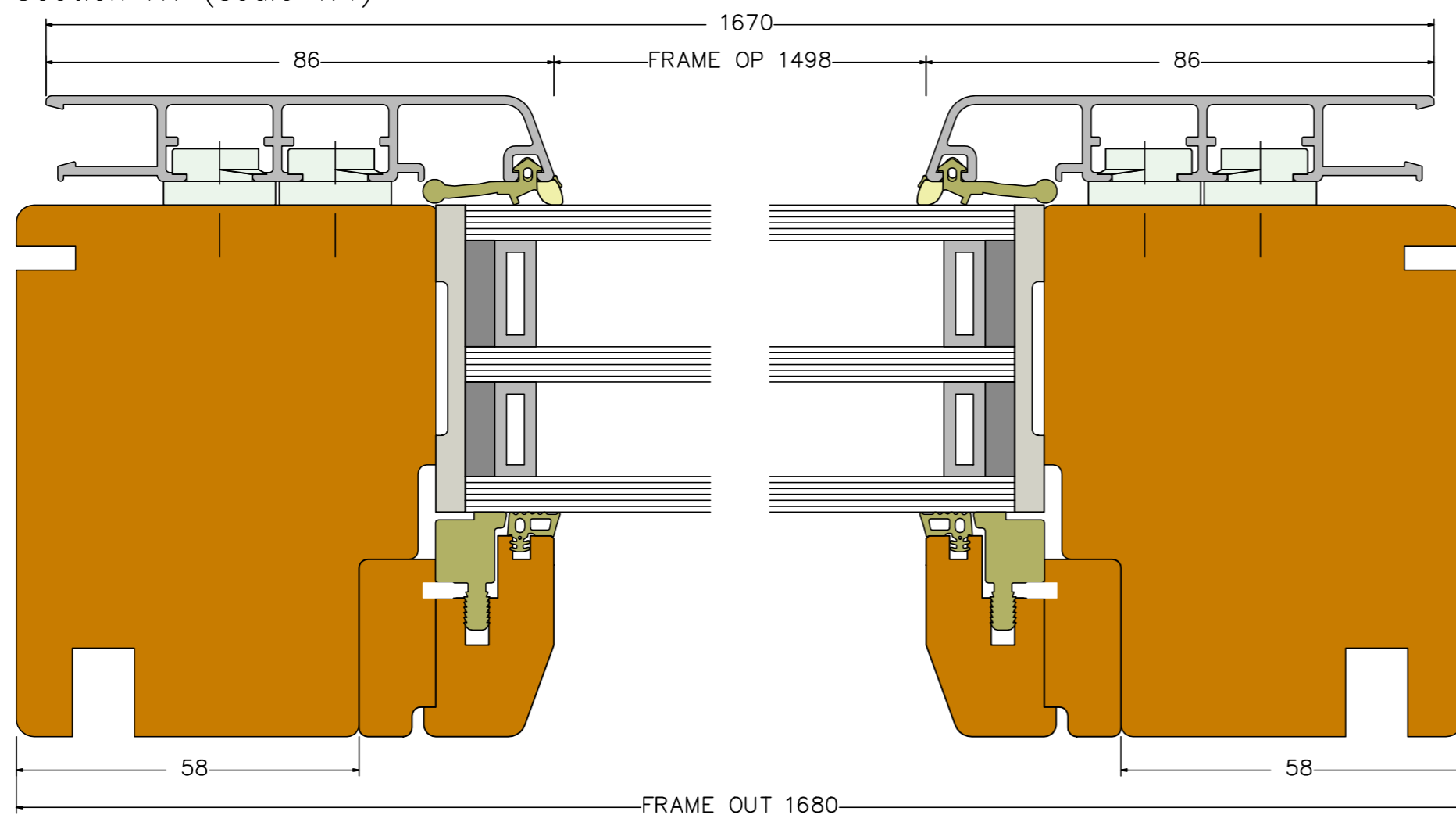


ThermaDura e-MOD Thermally Efficient Window/Door Modules	drawn	Date	Name
		30.05.2020	Rampe
Description: DesignLine e-MOD D-148 Timber-Aluminium tilt window			
<b>ThermaDura</b>	These drawings are protected by copyright and only to be used in conjunction with the supply of Thermadura products. This drawing is an instrument of service and is provided for informational use only. © 2019 ThermaDura Ltd		

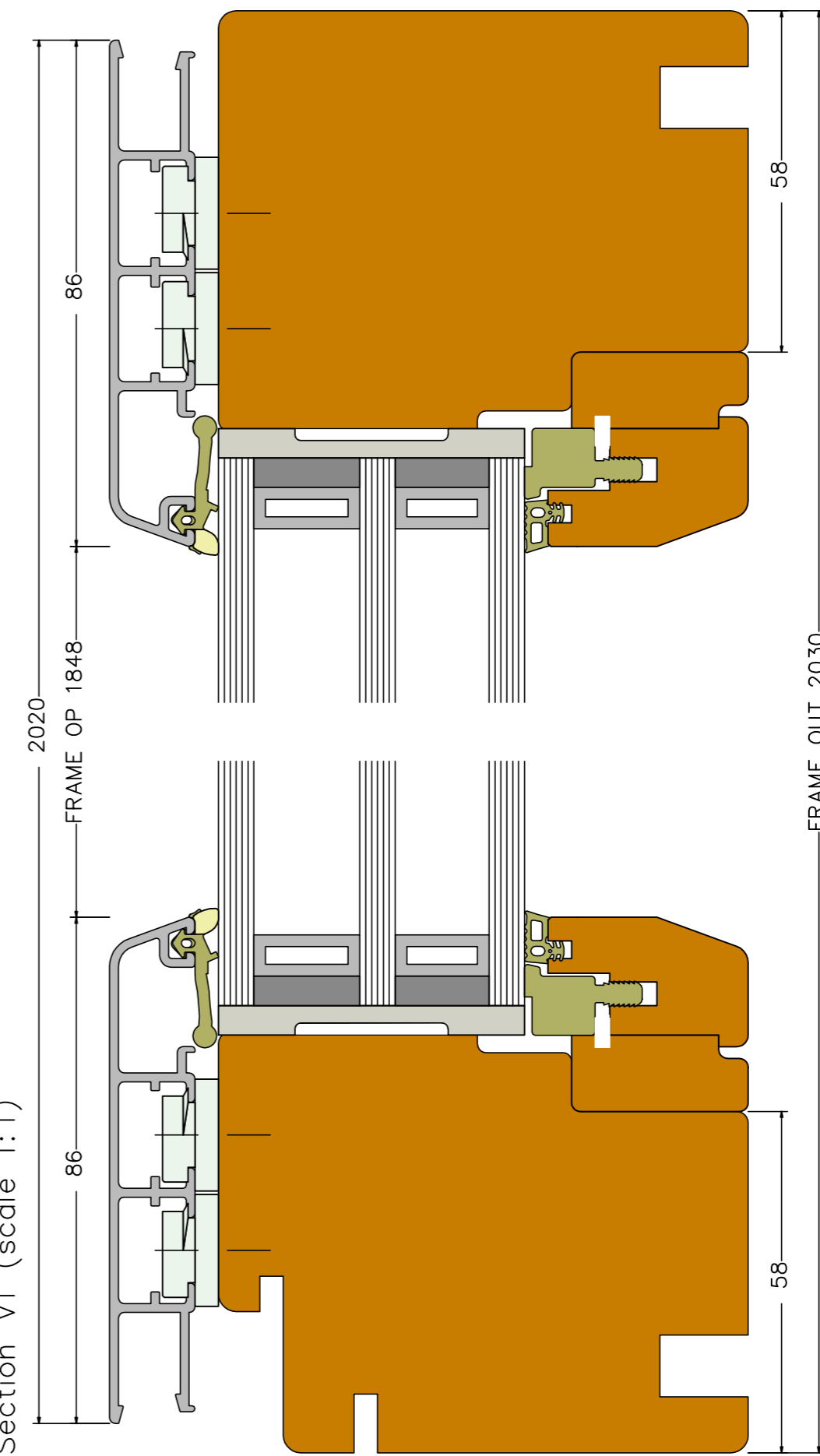
View from inside (scale 1:15)



Section H1 (scale 1:1)

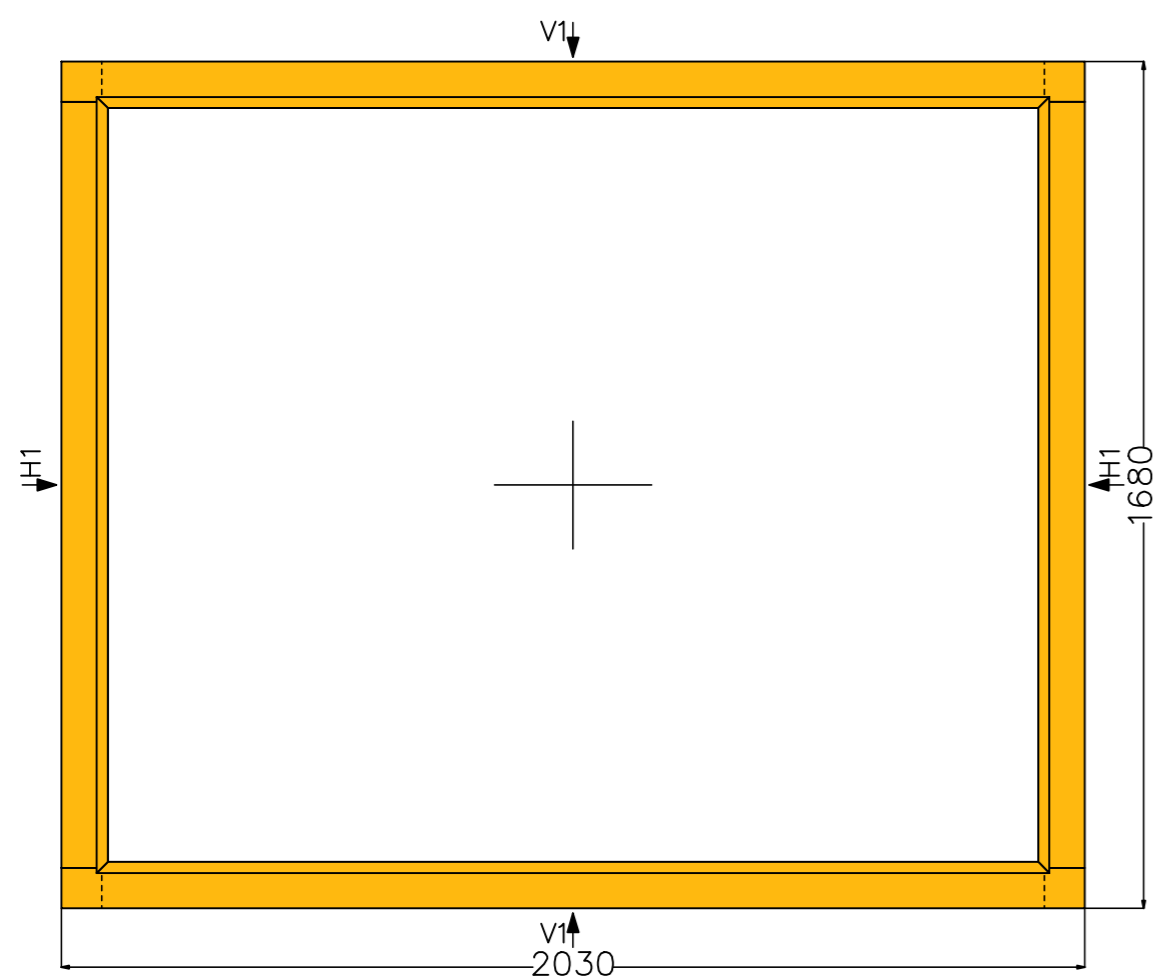


Section V1 (scale 1:1)

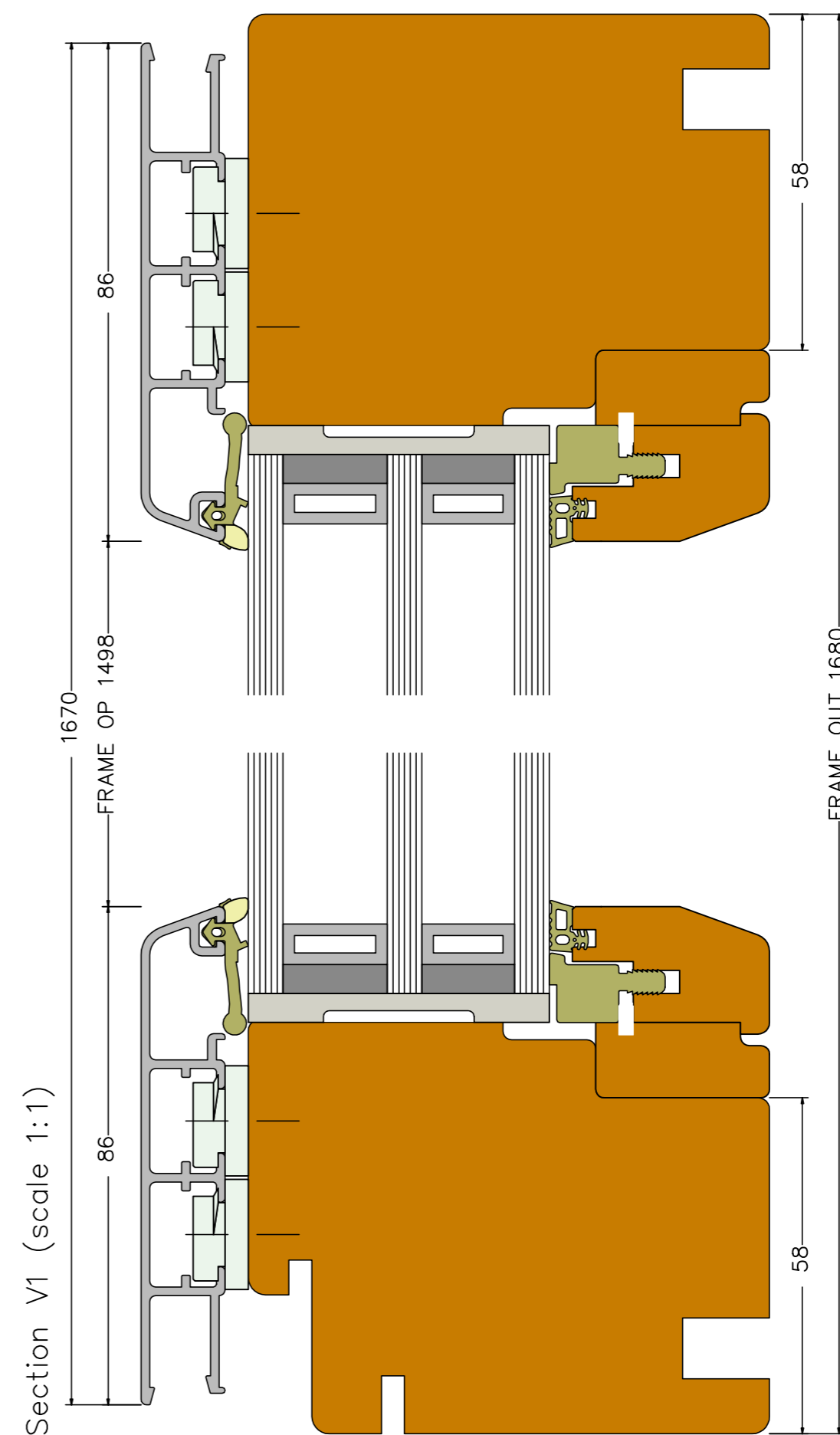
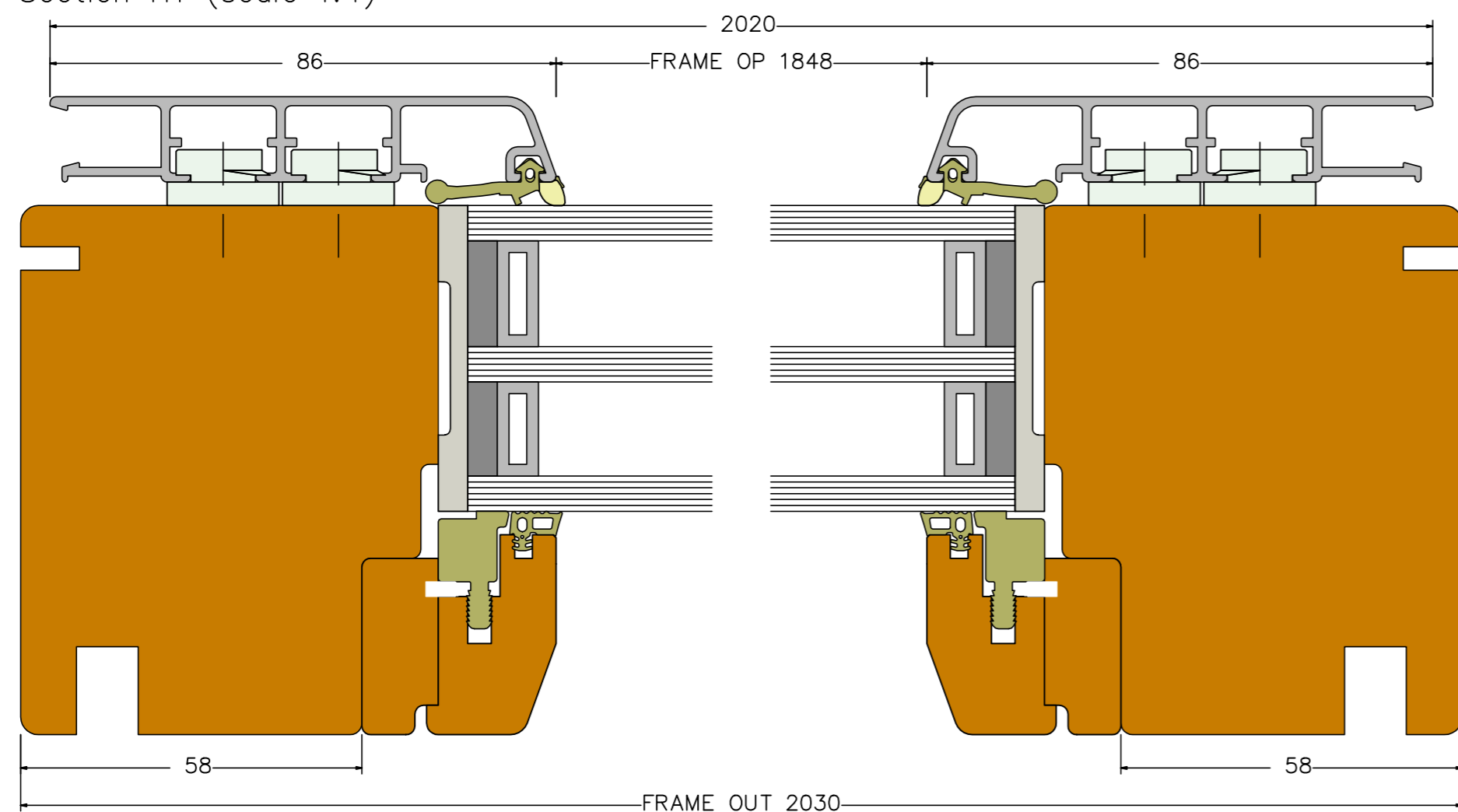


ThermaDura e-MOD Thermally Efficient Window/Door Modules	drawn	Date	Name
		30.05.2020	Rampe
Description: DesignLine e-MOD D-149 Timber-Aluminium fixed window			
<b>ThermaDura</b>	These drawings are protected by copyright and only to be used in conjunction with the supply of Thermadura products. This drawing is an instrument of service and is provided for informational use only. © 2019 ThermaDura Ltd		

View from inside (scale 1:15)



Section H1 (scale 1:1)

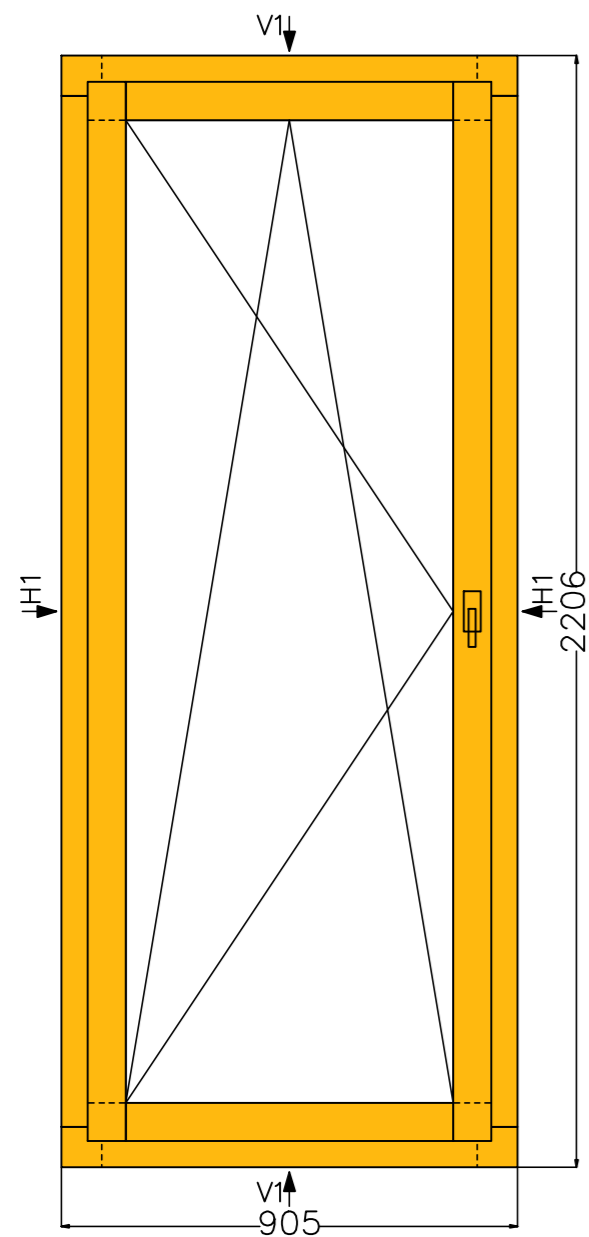


Section V1 (scale 1:1)

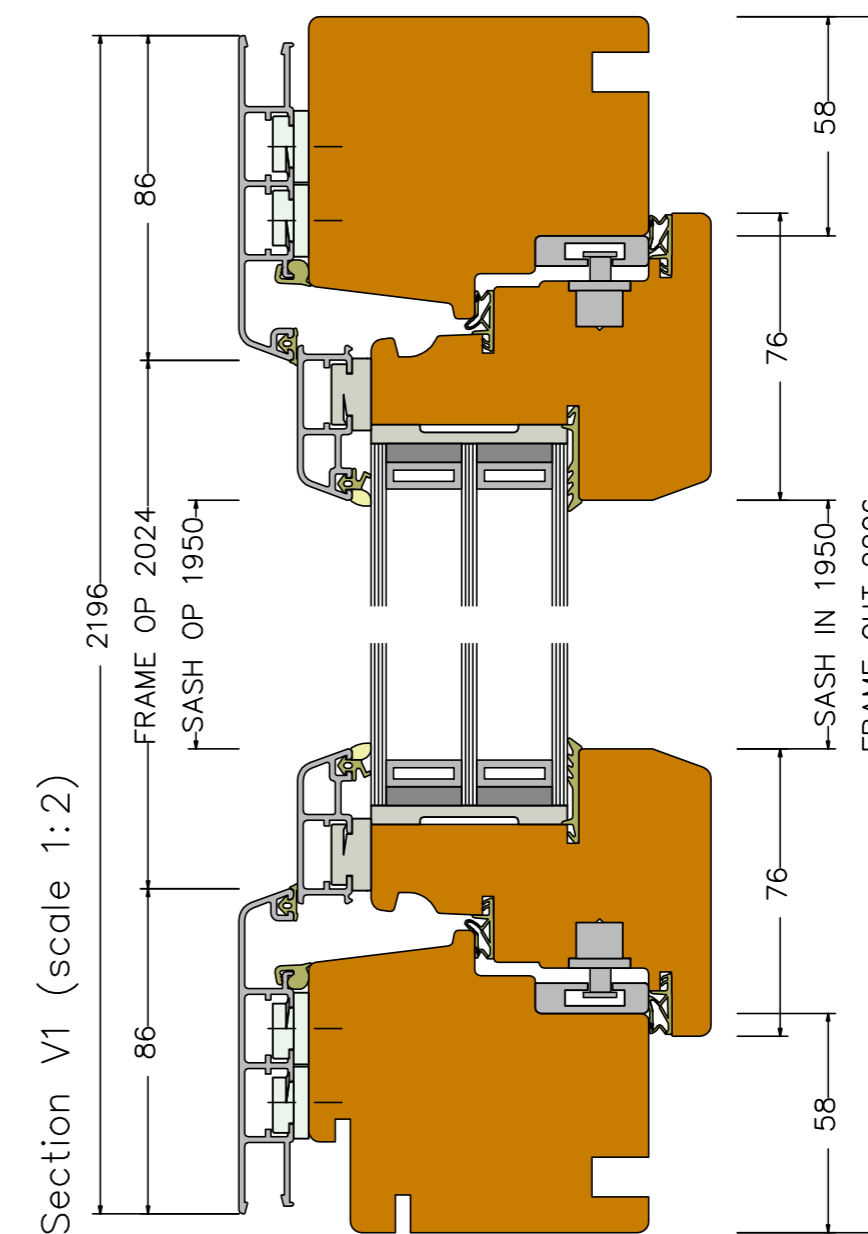
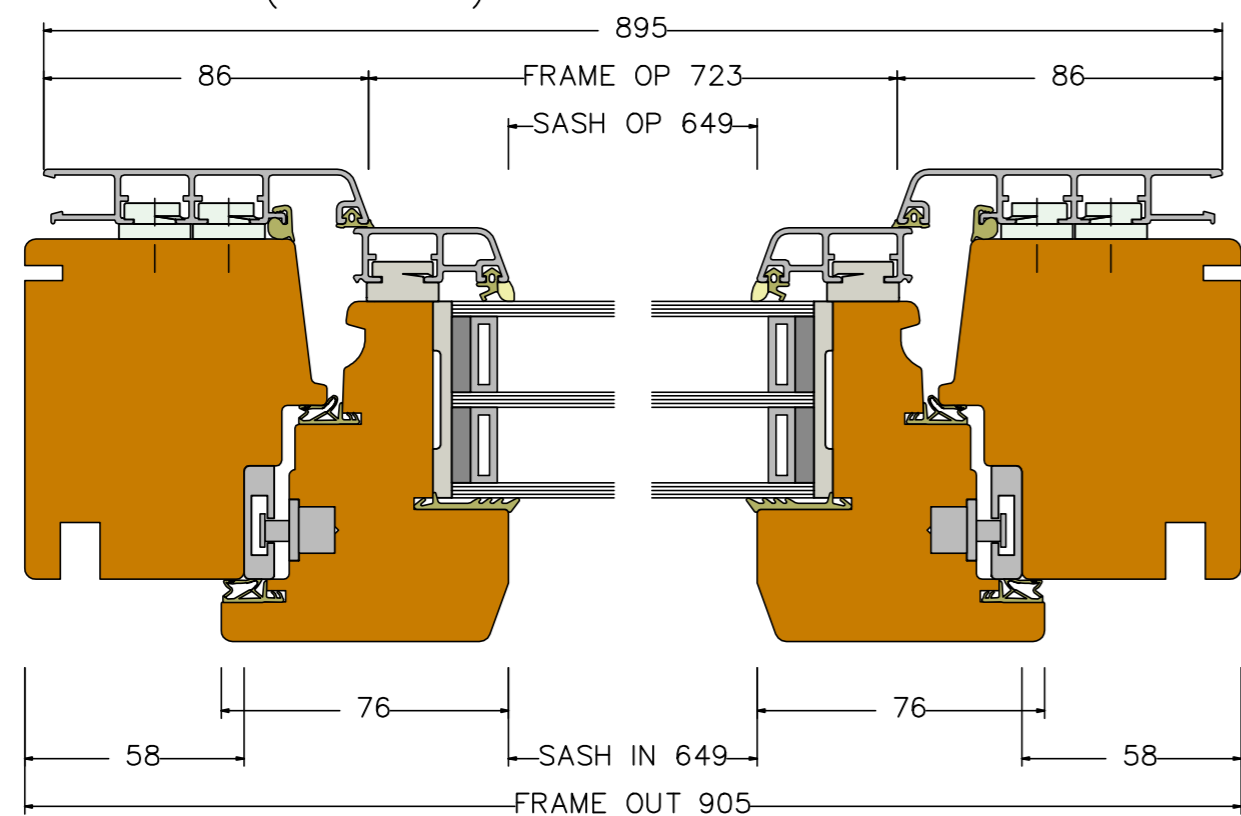


ThermaDura e-MOD Thermally Efficient Window/Door Modules	drawn	Date	Name
		30.05.2020	Rampe
Description: DesignLine e-MOD D-150 Timber-Aluminium fixed window			
<b>ThermaDura</b>	These drawings are protected by copyright and only to be used in conjunction with the supply of ThermaDura products. This drawing is an instrument of service and is provided for informational use only. © 2019 ThermaDura Ltd		

View from inside (scale 1:15)



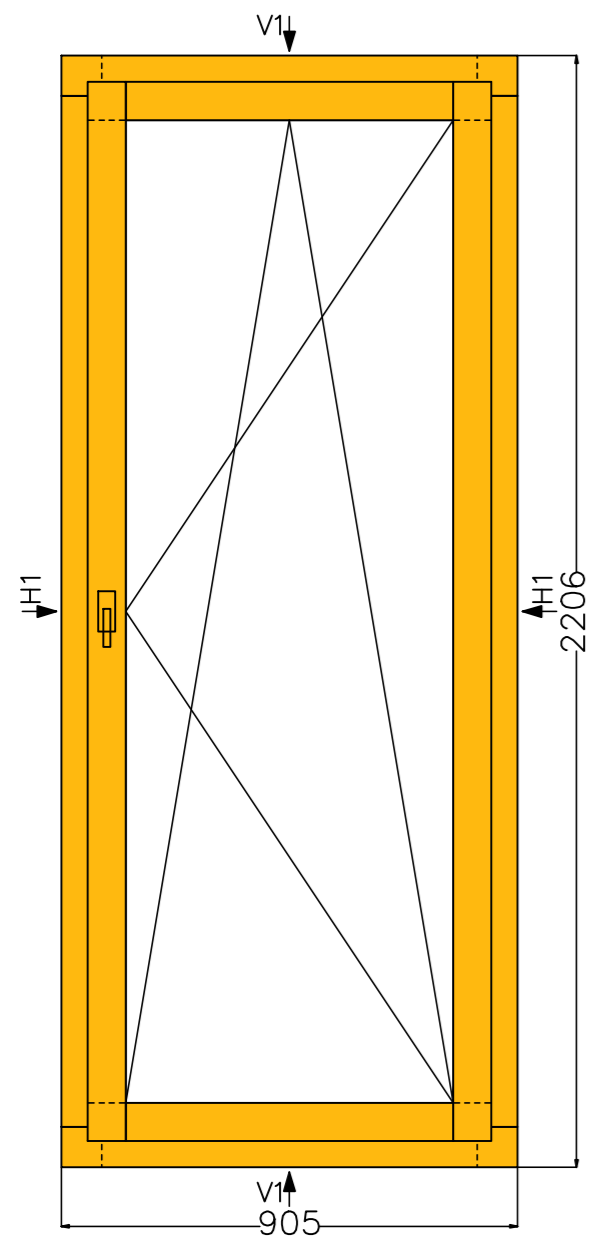
Section H1 (scale 1:2)



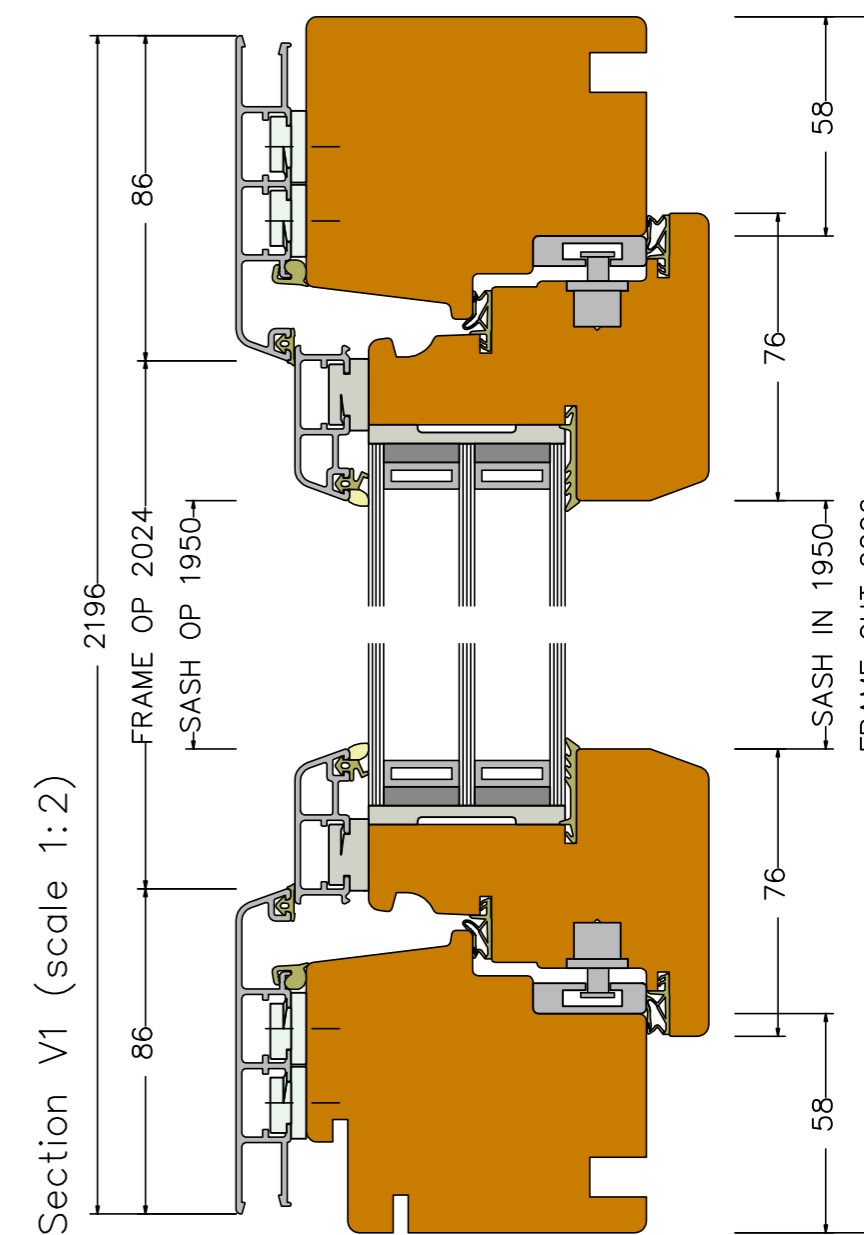
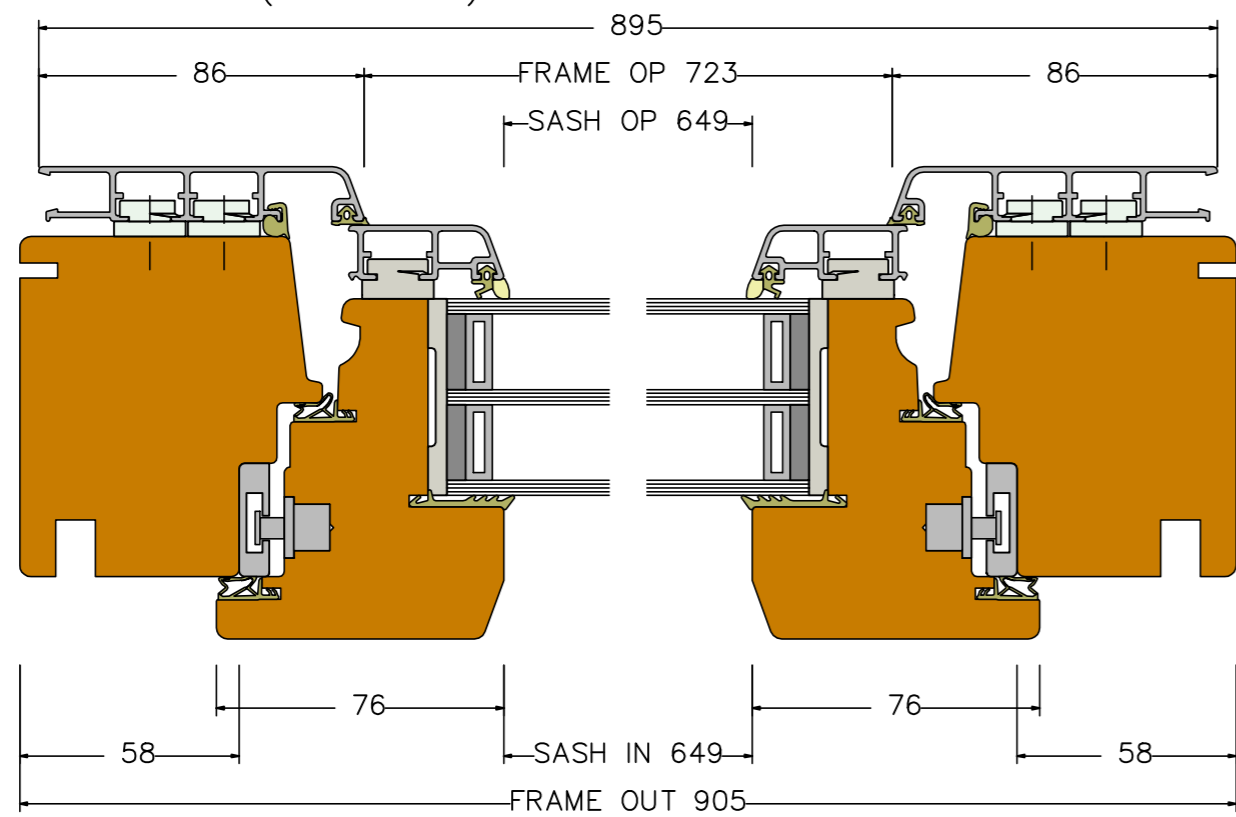
ThermaDura e-MOD Thermally Efficient Window/Door Modules	drawn	Date	Name
		30.05.2020	Rampe
Description: DesignLine e-MOD D-161 Timber-Aluminium Tilt & turn window			
<b>ThermaDura</b>	These drawings are protected by copyright and only to be used in conjunction with the supply of Thermadura products. This drawing is an instrument of service and is provided for informational use only. © 2019 Thermadura Ltd		



View from inside (scale 1:15)

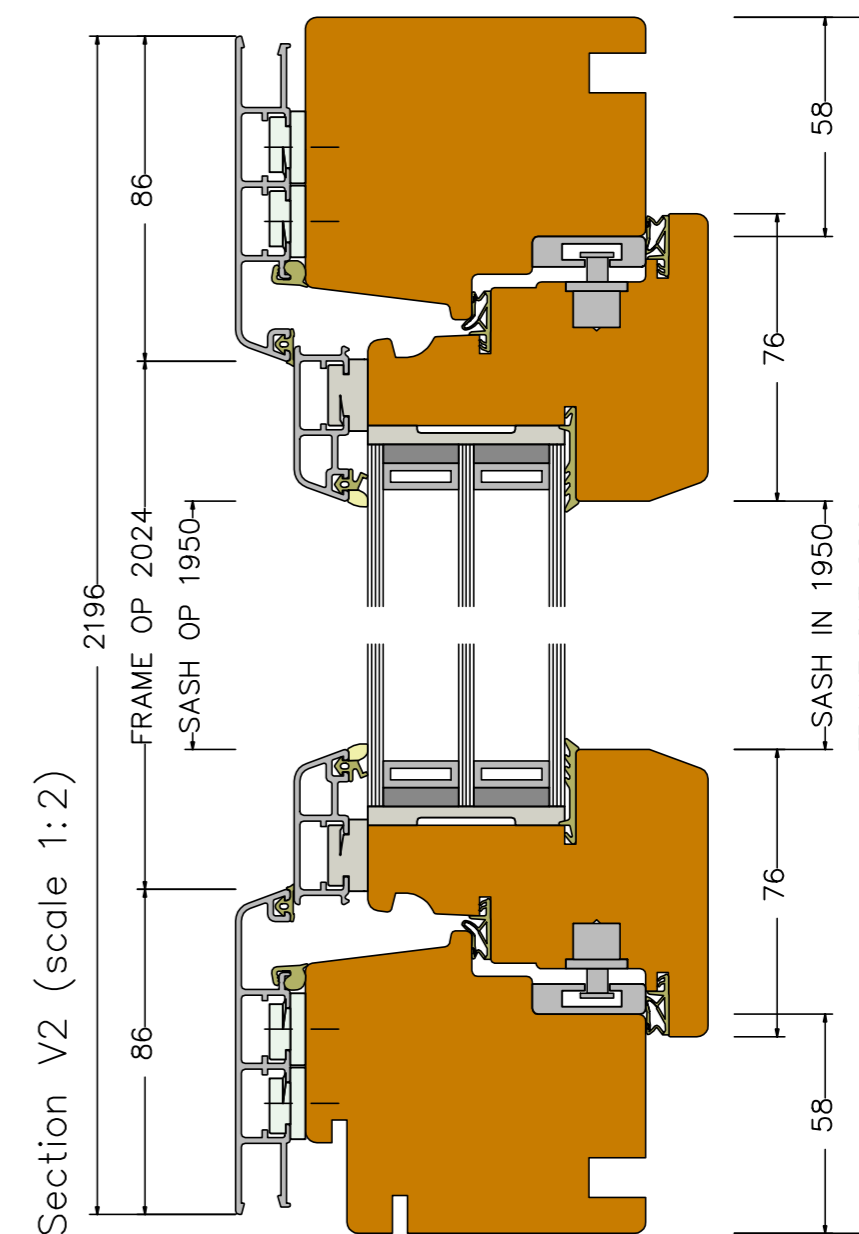
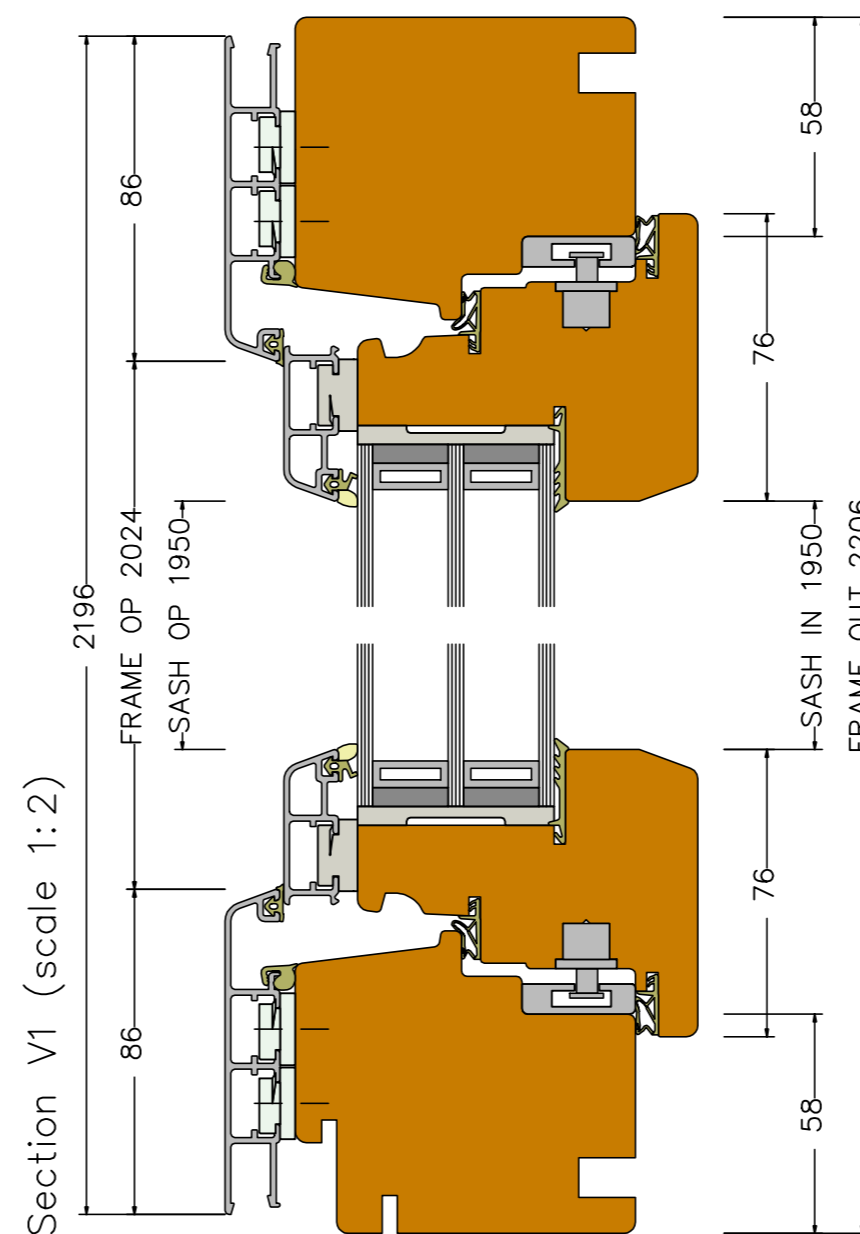
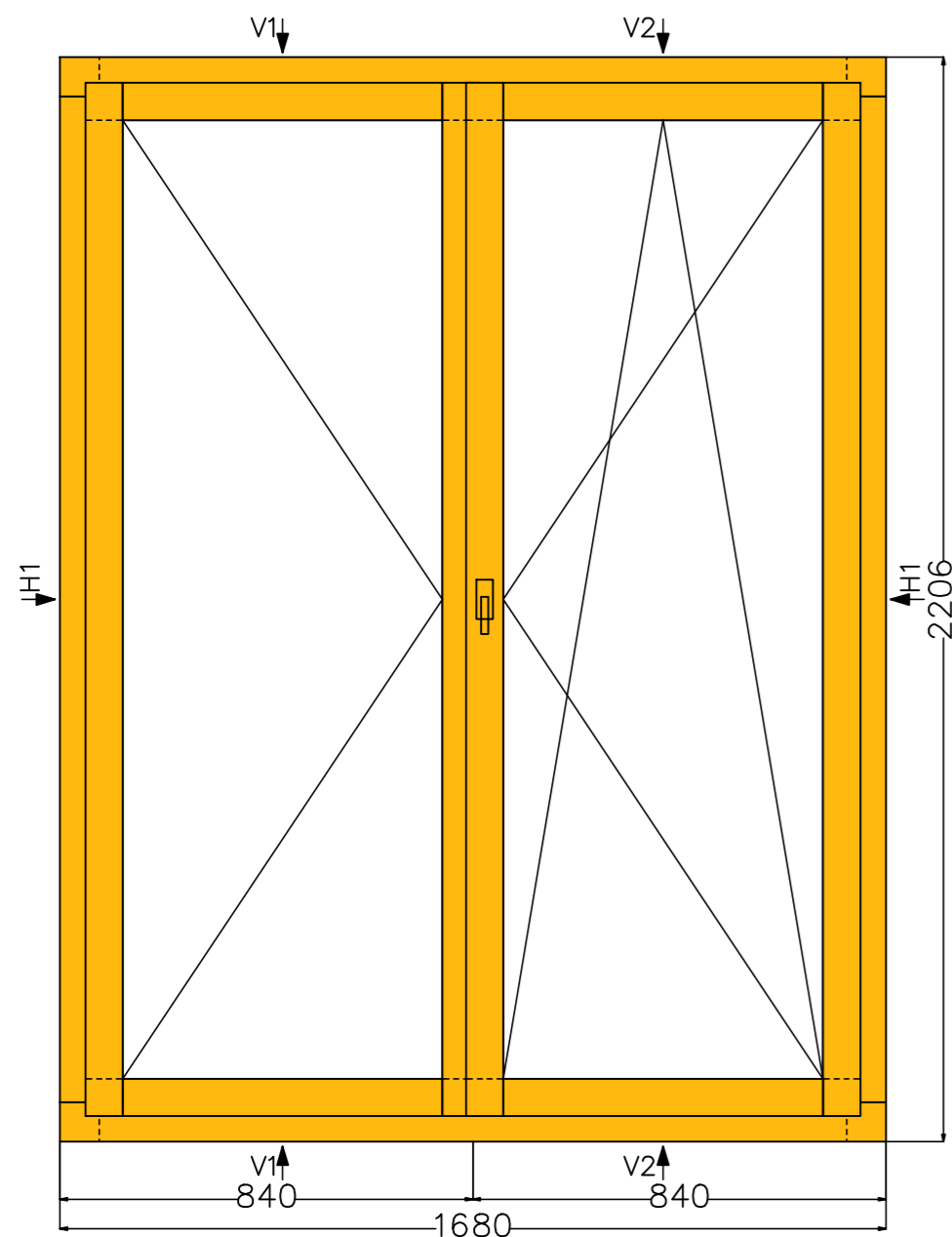


Section H1 (scale 1:2)

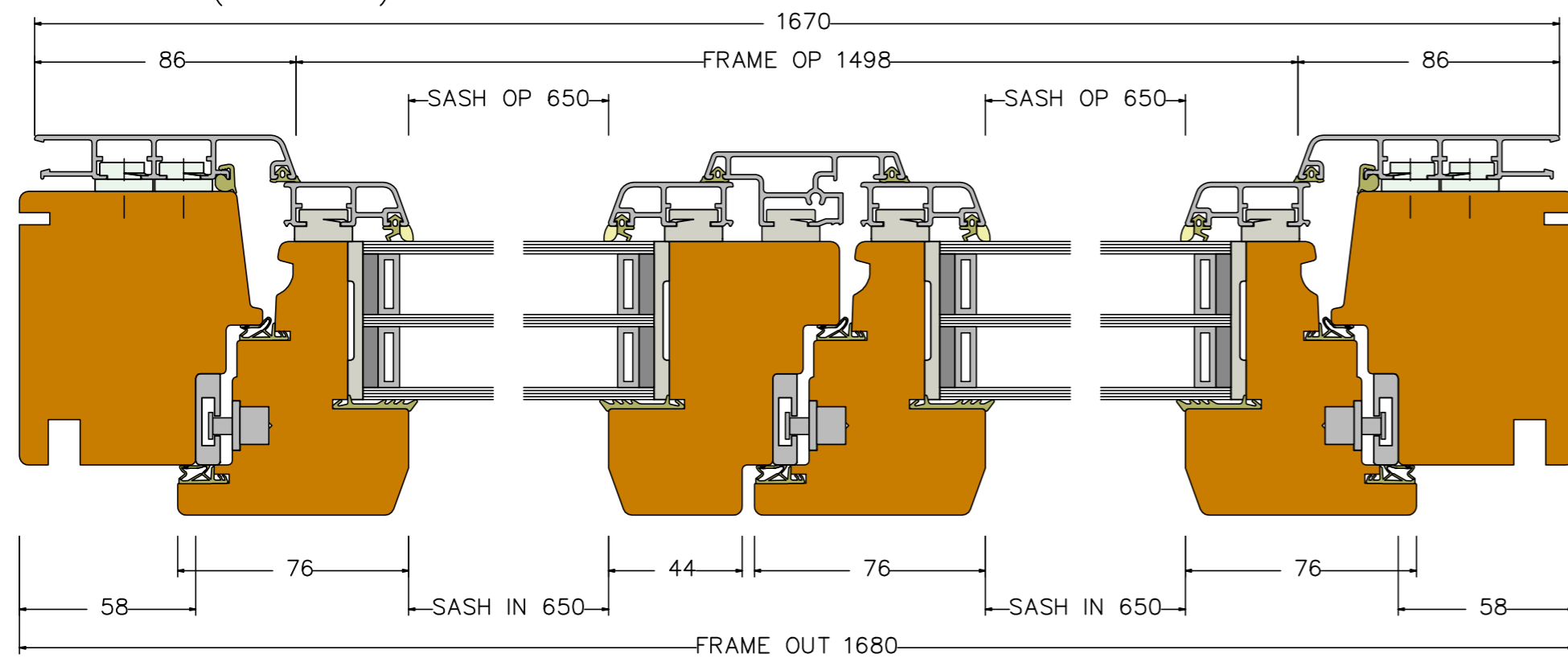


ThermaDura e-MOD Thermally Efficient Window/Door Modules	drawn	Date	Name
		30.05.2020	Rampe
Description: DesignLine e-MOD D-162 Timber-Aluminium Tilt & turn window			
<b>ThermaDura</b>	These drawings are protected by copyright and only to be used in conjunction with the supply of Thermadura products. This drawing is an instrument of service and is provided for informational use only. © 2019 ThermaDura Ltd		

View from inside (scale 1:15)

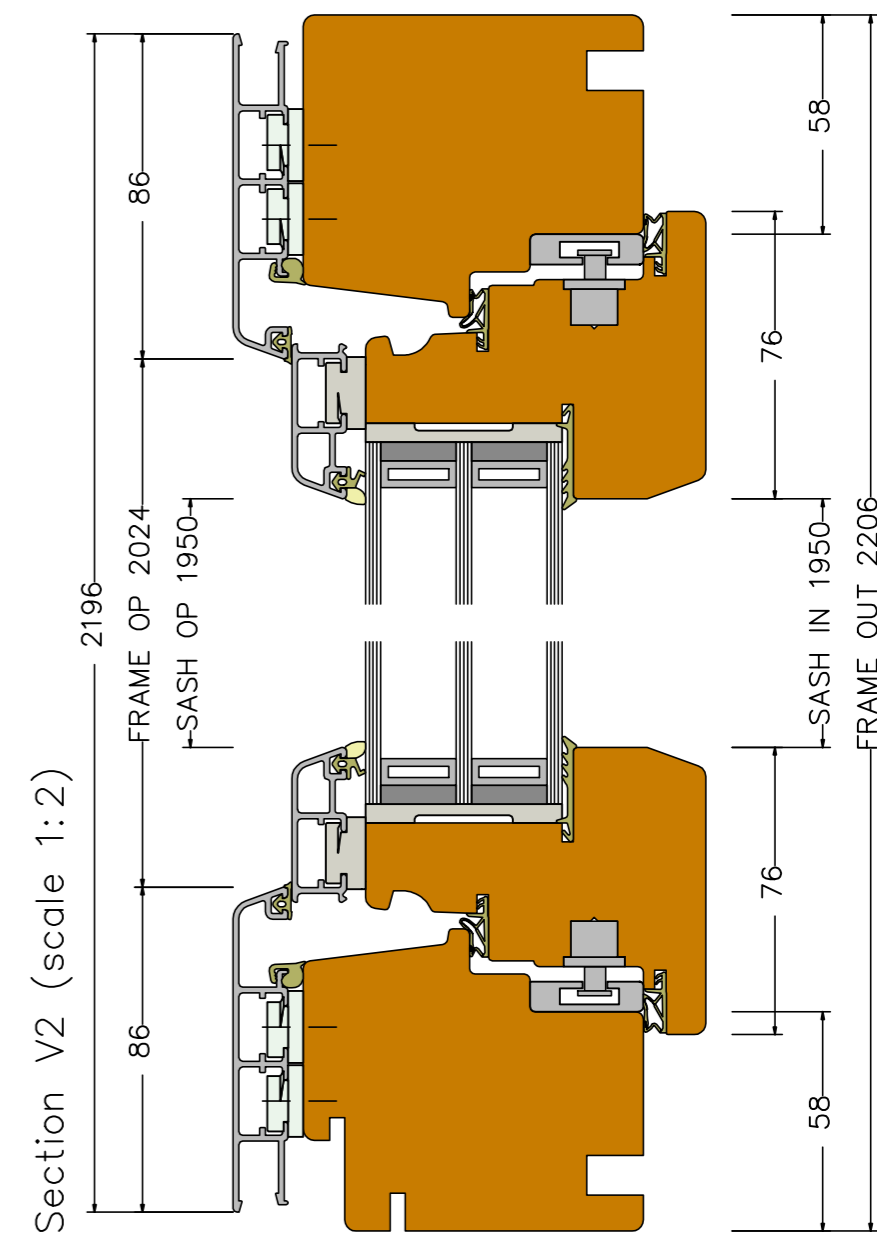
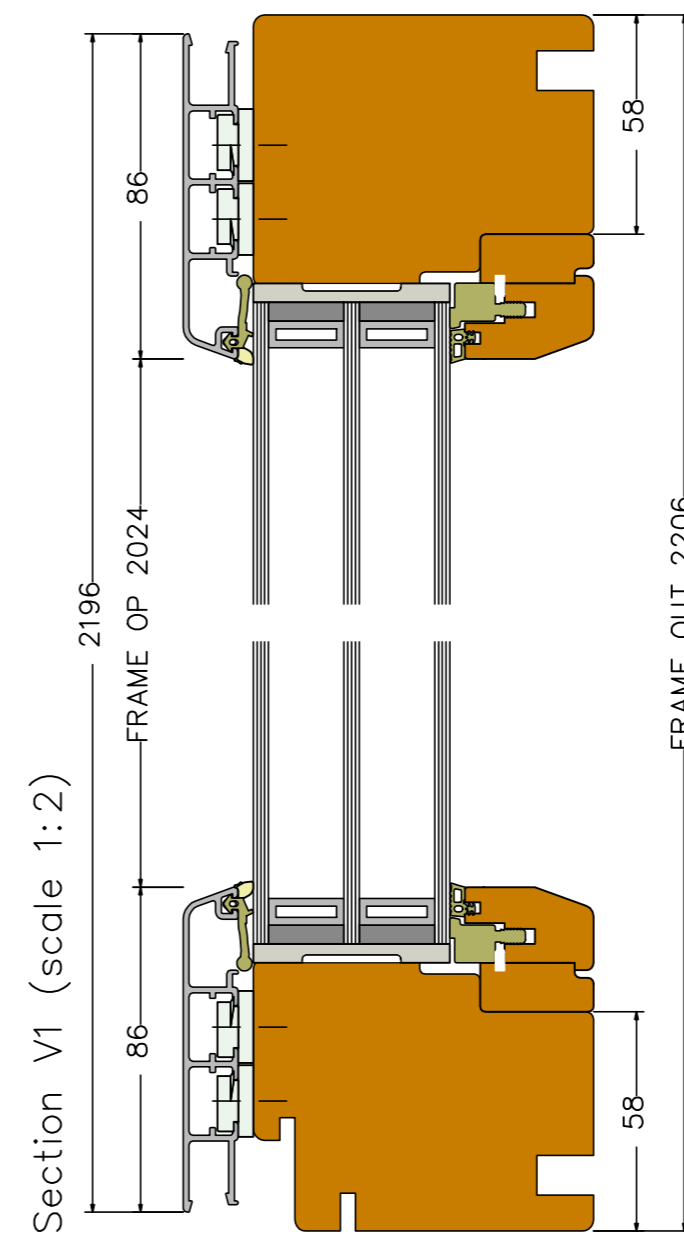
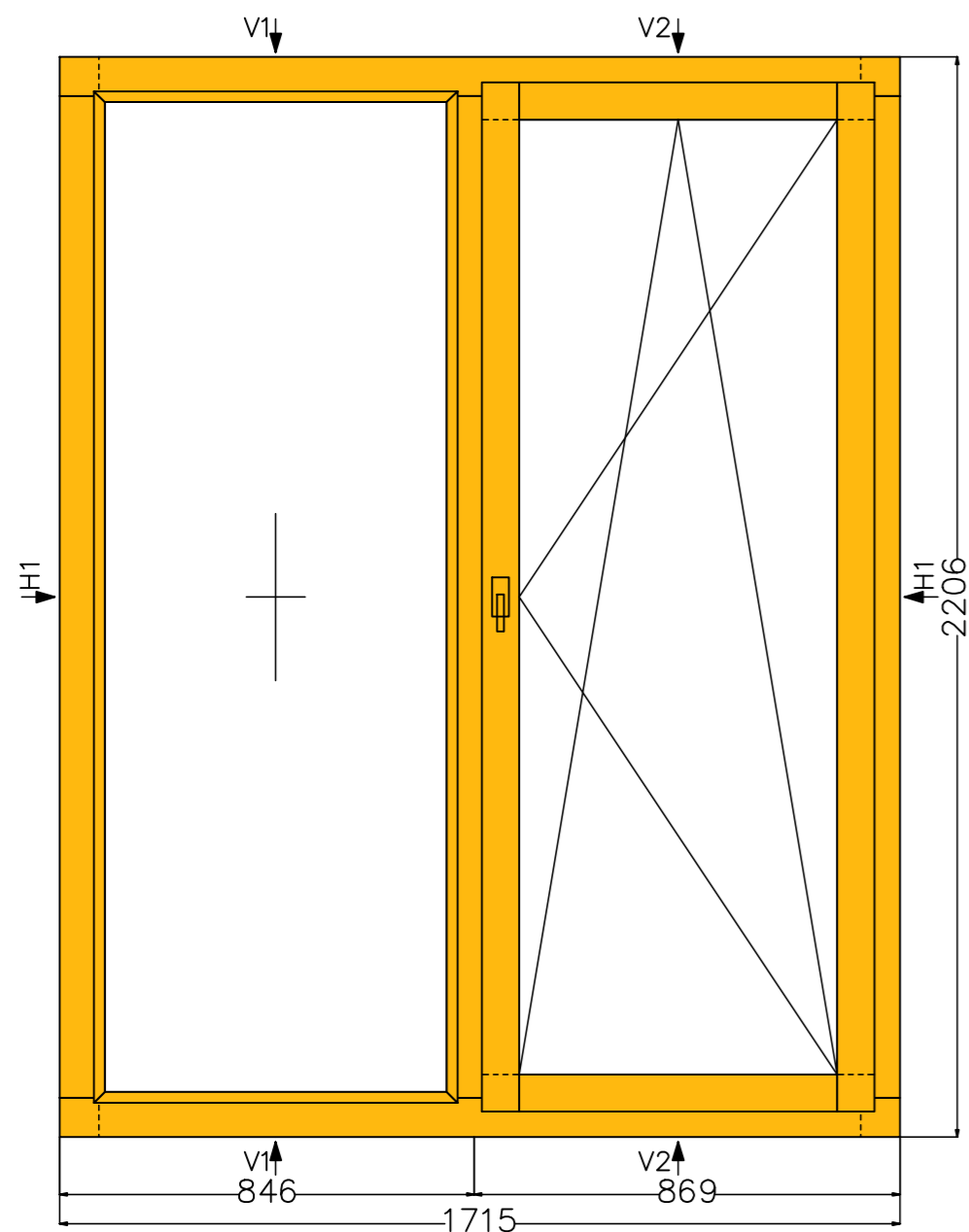


Section H1 (scale 1:2)

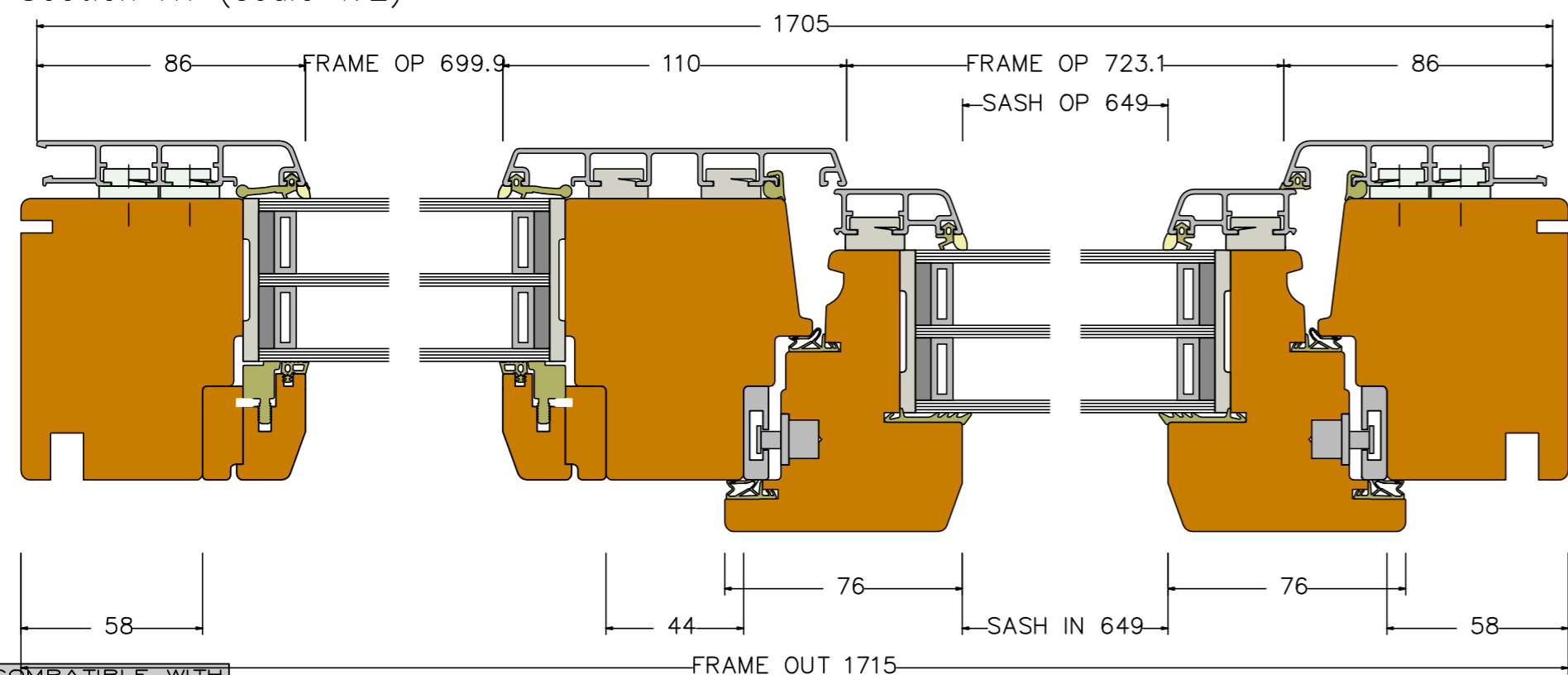


ThermaDura e-MOD Thermally Efficient Window/Door Modules	drawn	Date	Name
		30.05.2020	Rampe
Description: DesignLine e-MOD D-163 Timber-Aluminium Tilt & turn window			
<b>ThermaDura</b>	These drawings are protected by copyright and only to be used in conjunction with the supply of Thermadura products. This drawing is an instrument of service and is provided for informational use only. © 2019 Thermadura Ltd		

View from inside (scale 1:15)

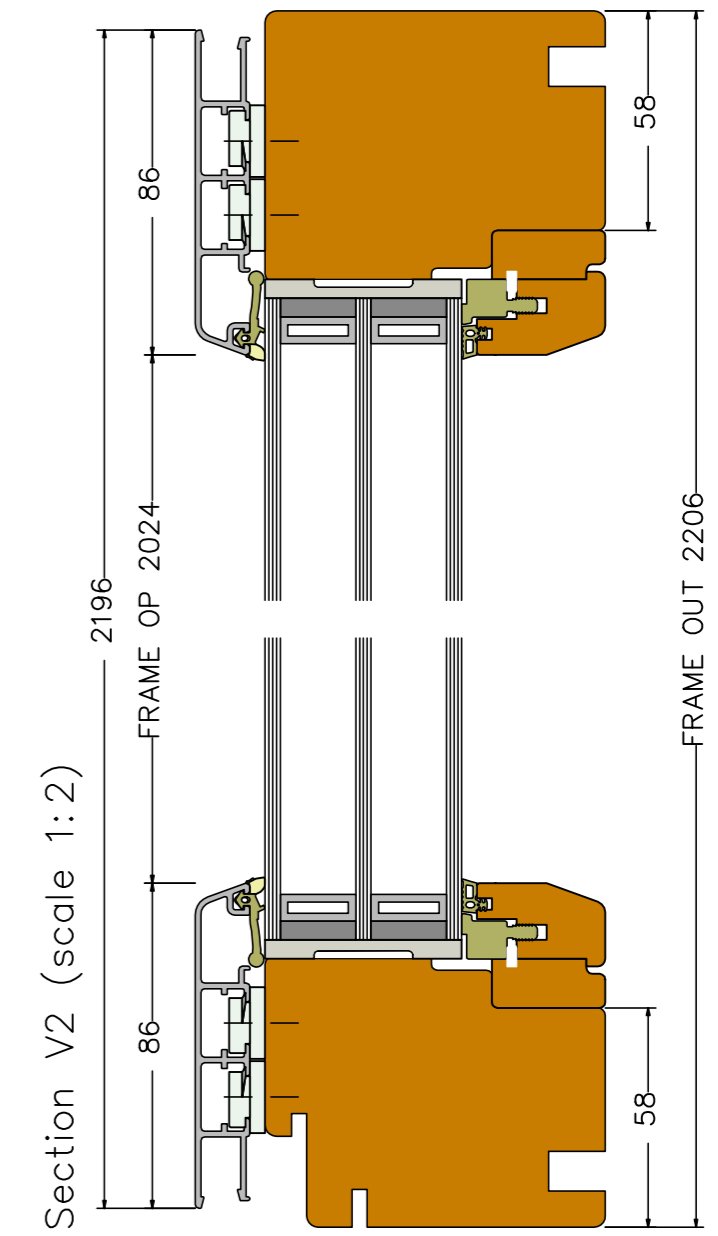
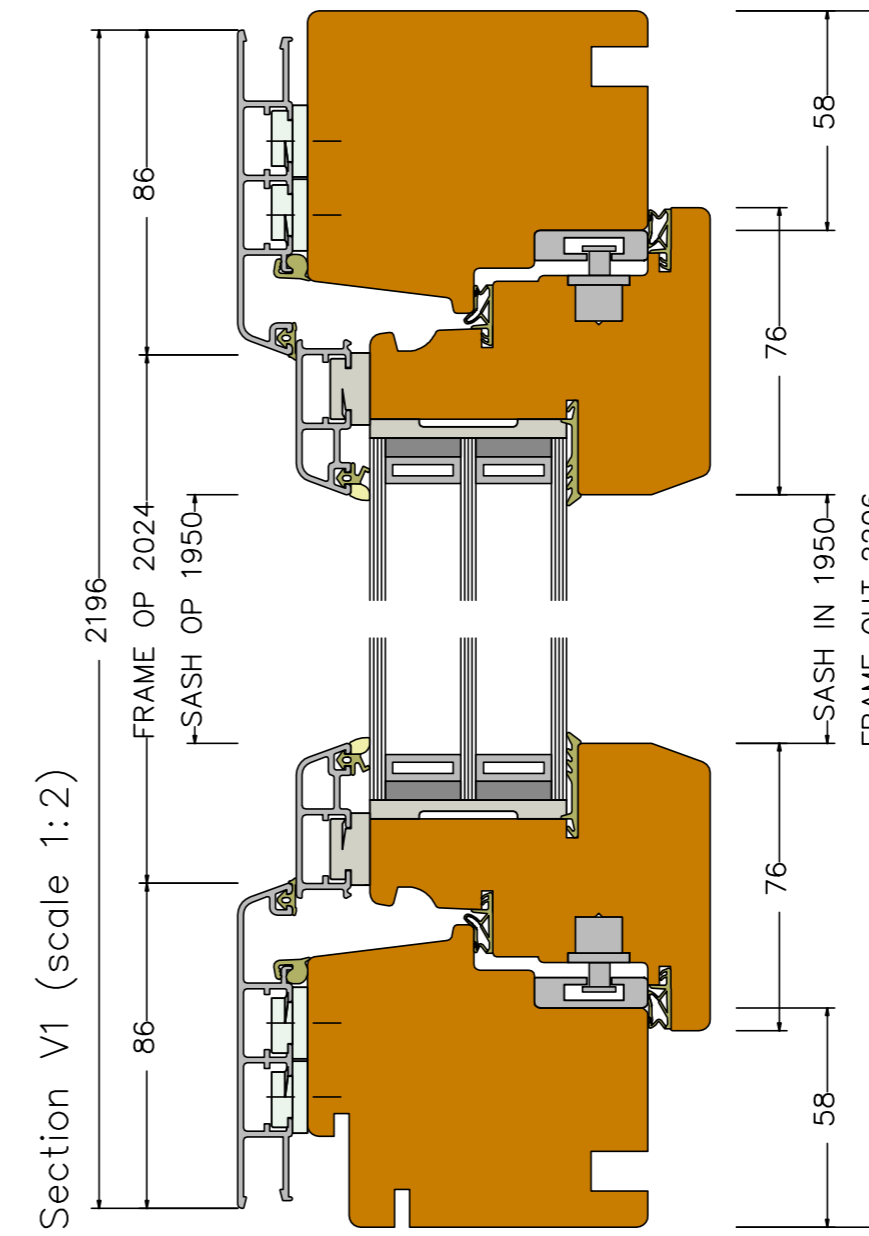
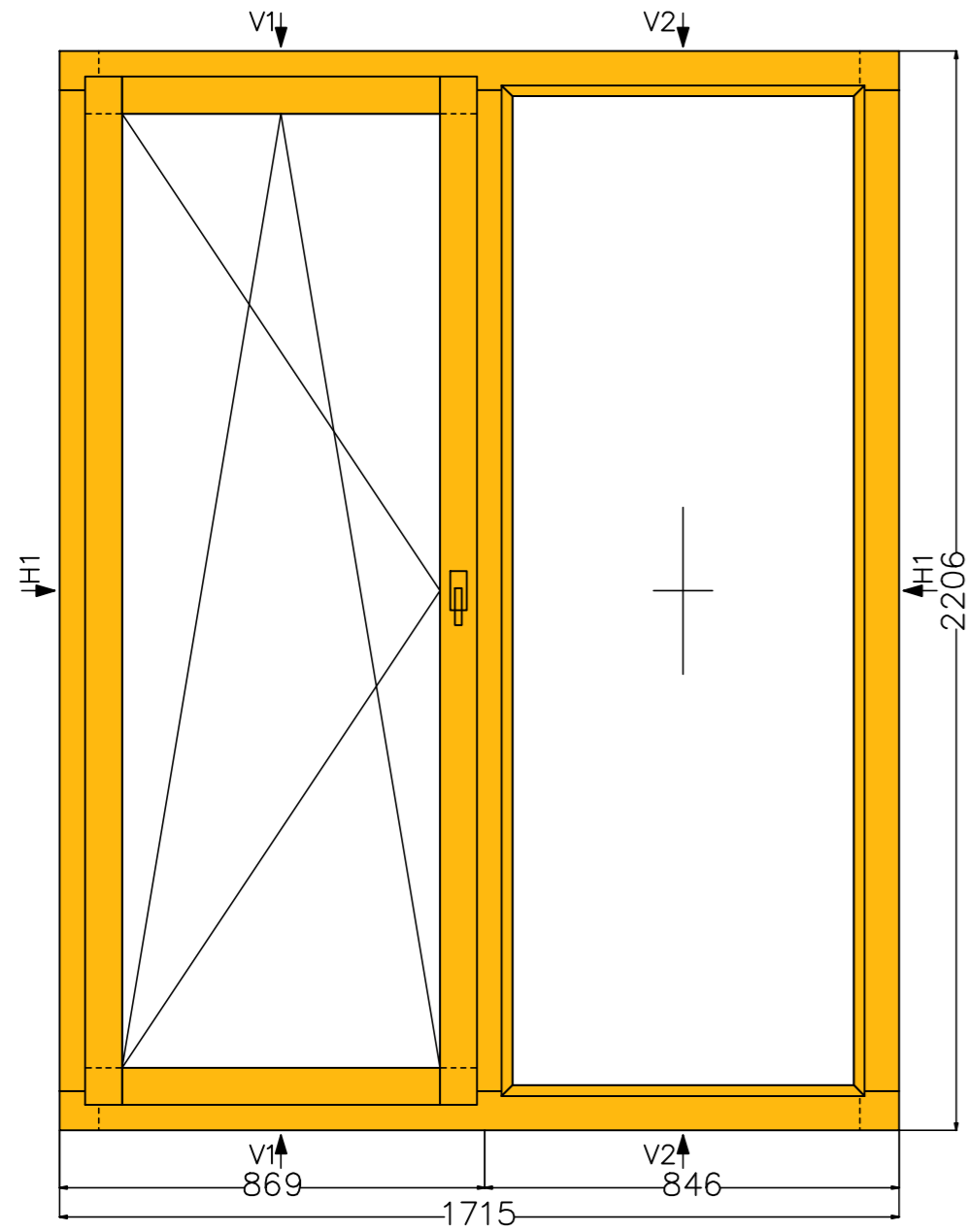


Section H1 (scale 1:2)

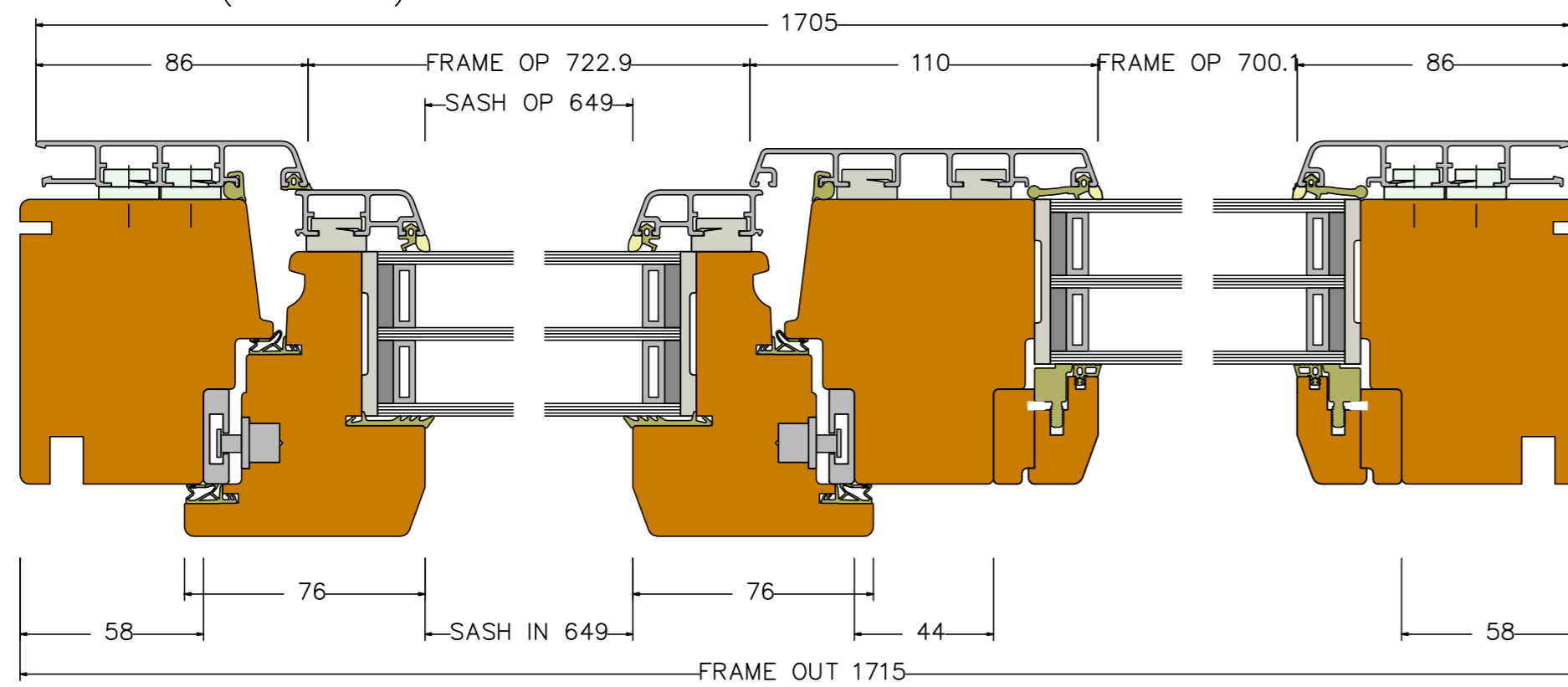


ThermaDura e-MOD Thermally Efficient Window/Door Modules	drawn	Date	Name
		30.05.2020	Rampe
Description: DesignLine e-MOD D-164 Timber-Aluminium Tilt-turn window			
<b>ThermaDura</b>	These drawings are protected by copyright and only to be used in conjunction with the supply of Thermadura products. This drawing is an instrument of service and is provided for informational use only. © 2019 ThermaDura Ltd		

View from inside (scale 1:15)

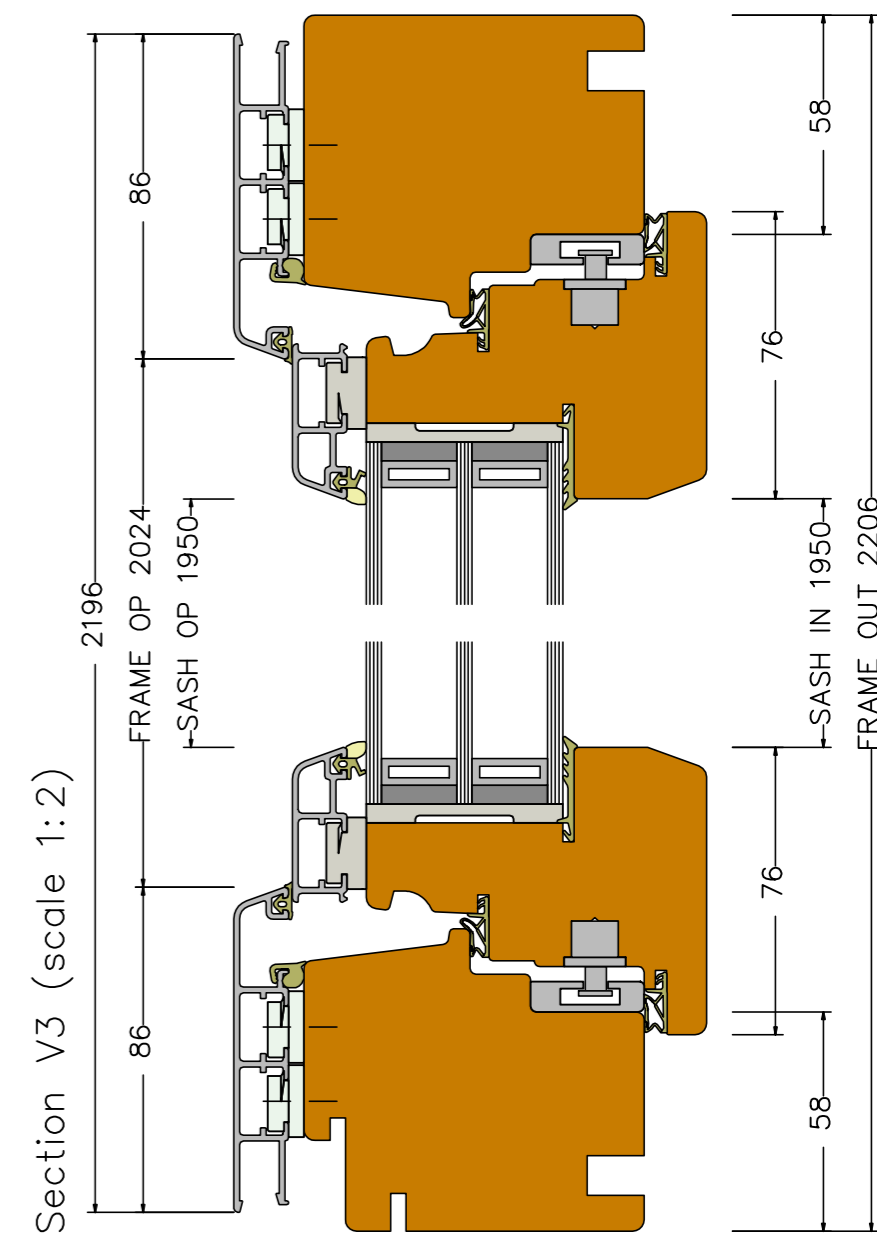
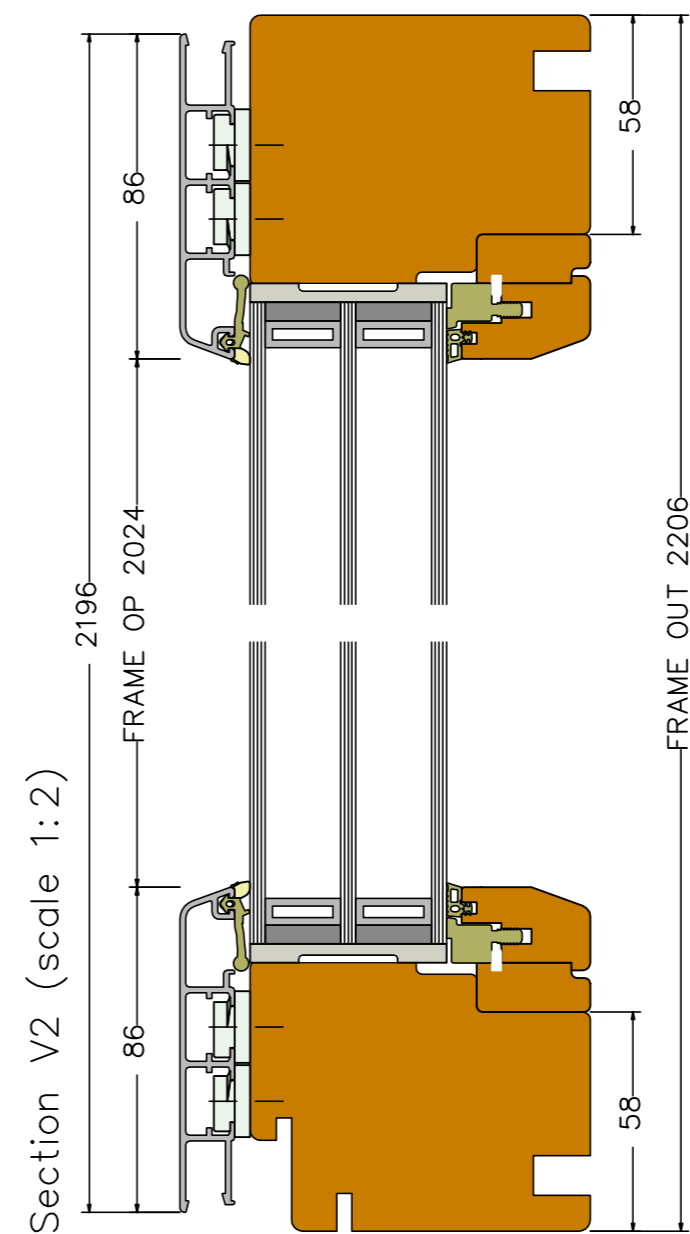
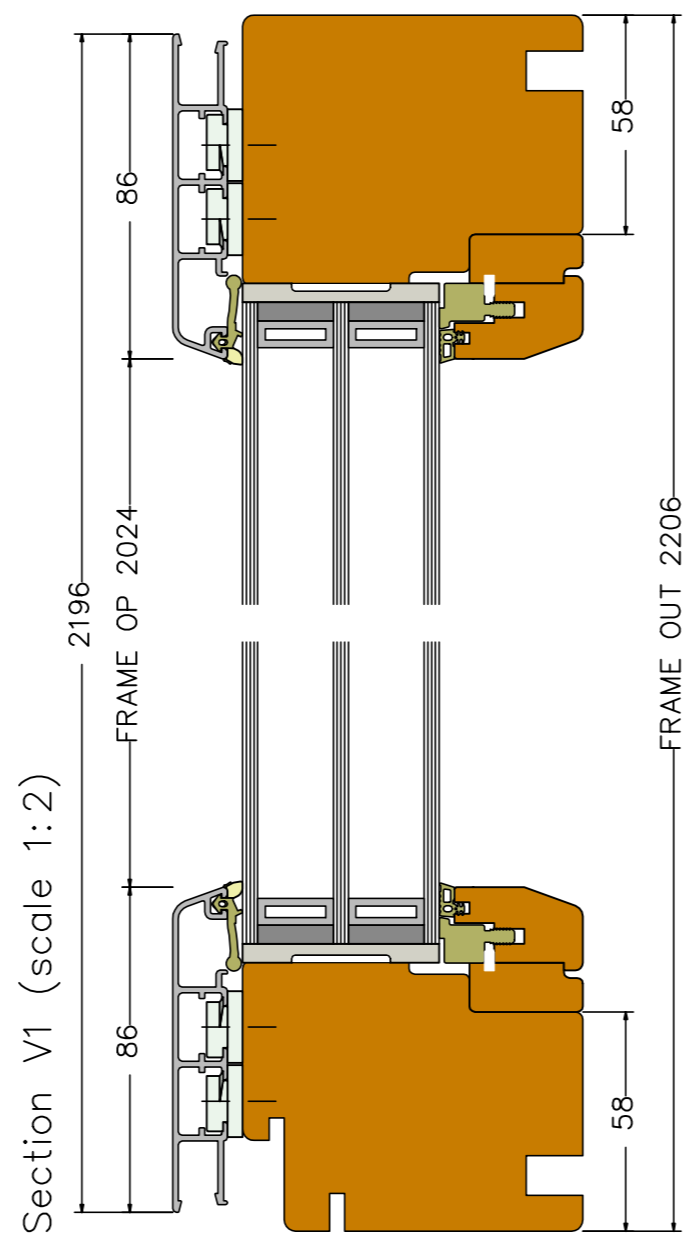
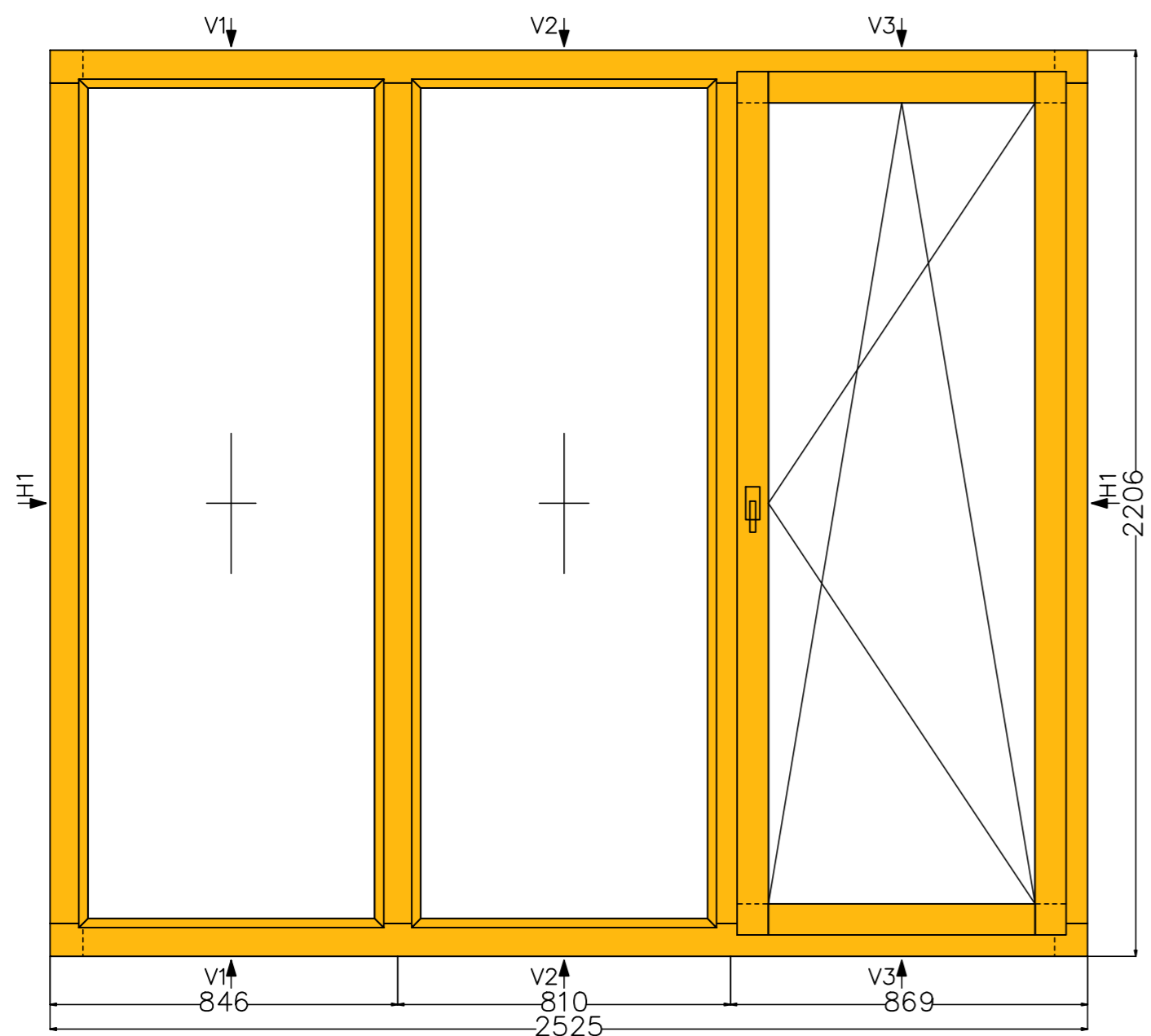


Section H1 (scale 1:2)

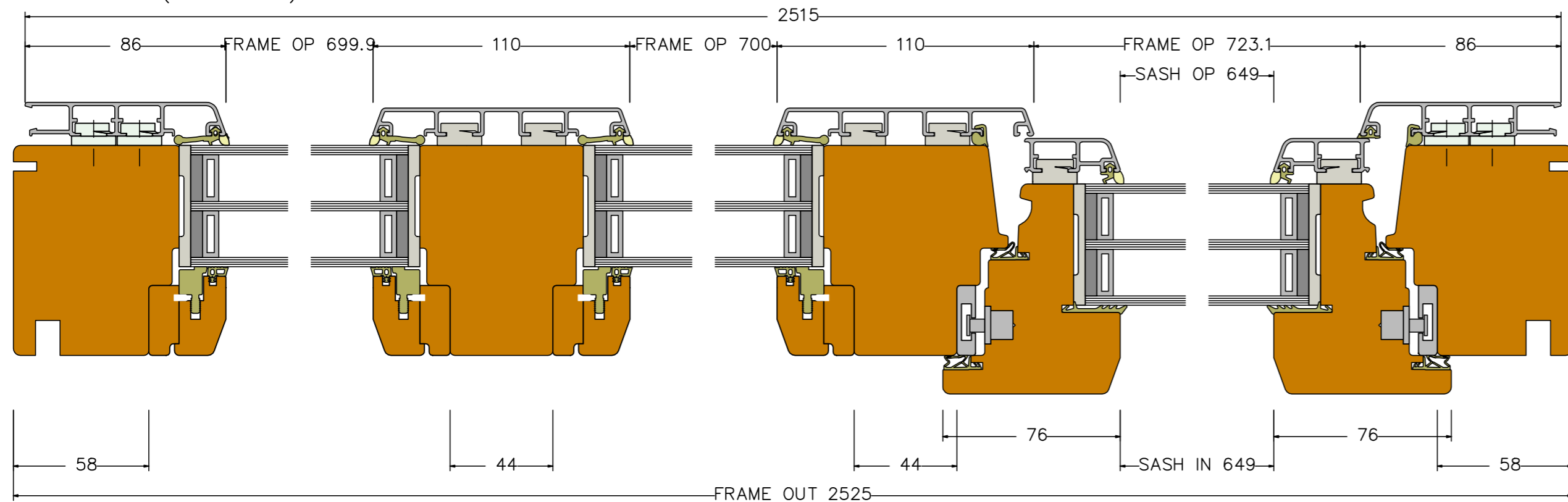


ThermaDura e-MOD Thermally Efficient Window/Door Modules	drawn	Date	Name
Description: DesignLine e-MOD D-165 Timber-Aluminium Tilt & turn window		30.05.2020	Rampe
<b>ThermaDura</b>	These drawings are protected by copyright and only to be used in conjunction with the supply of Thermadura products. This drawing is an instrument of service and is provided for informational use only. © 2019 Thermadura Ltd		

View from inside (scale 1:15)

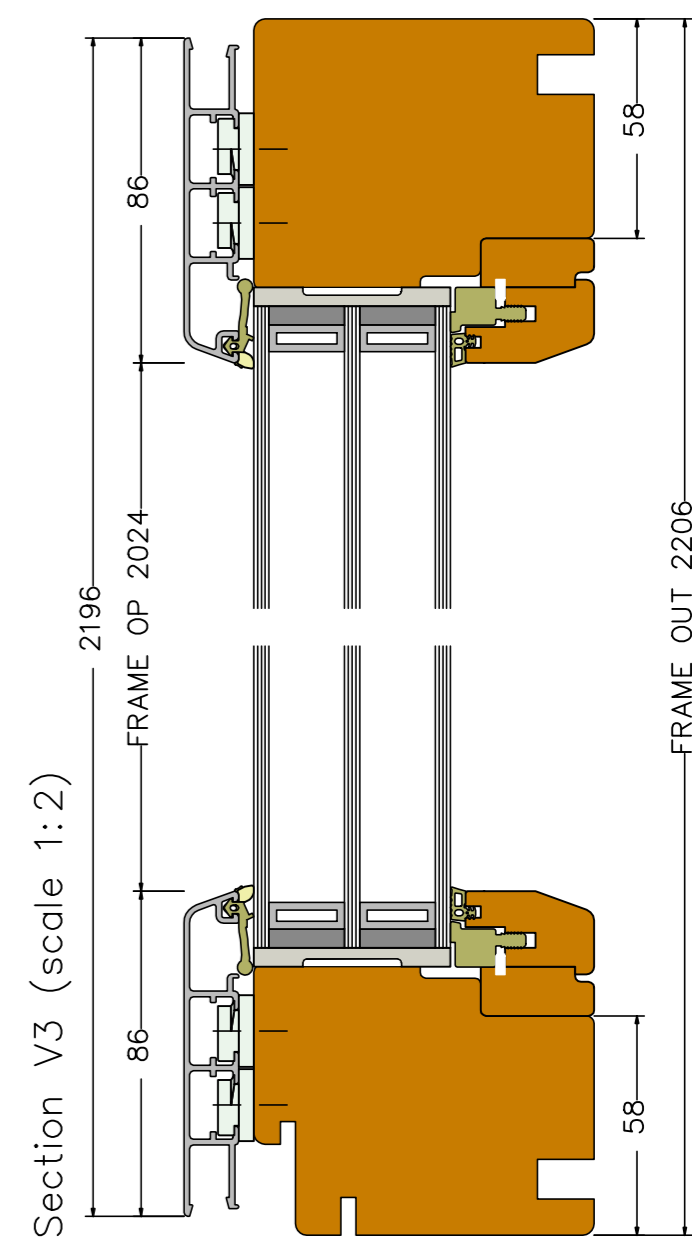
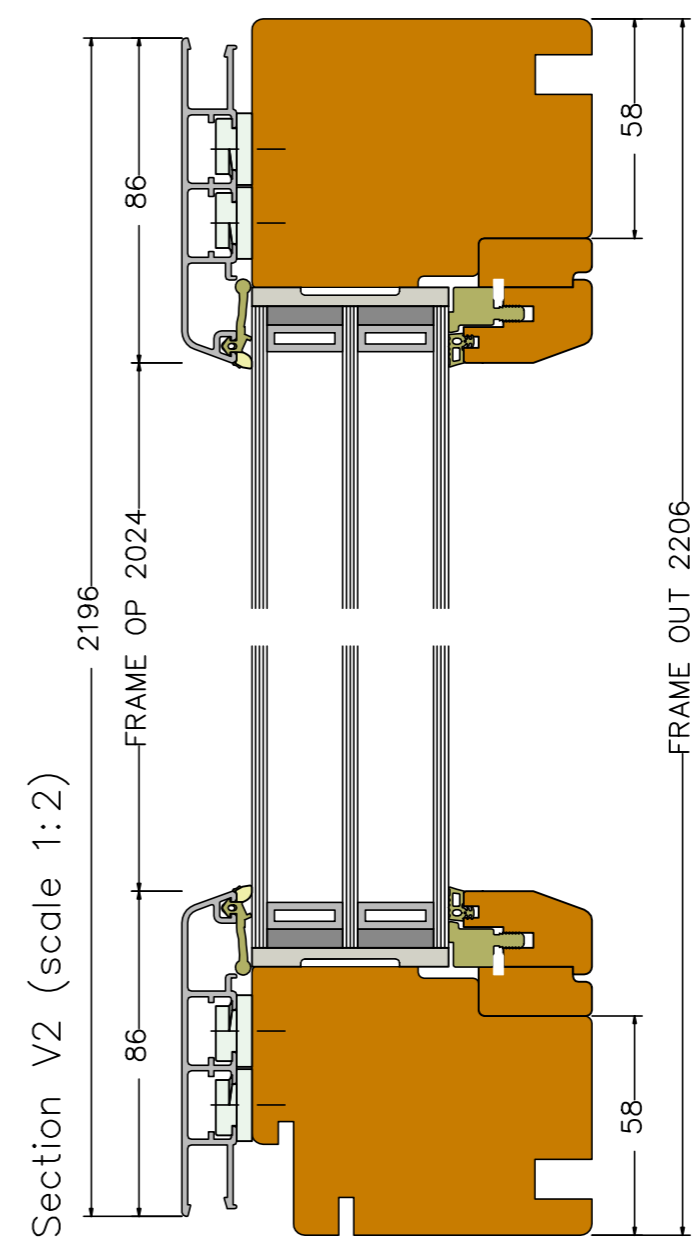
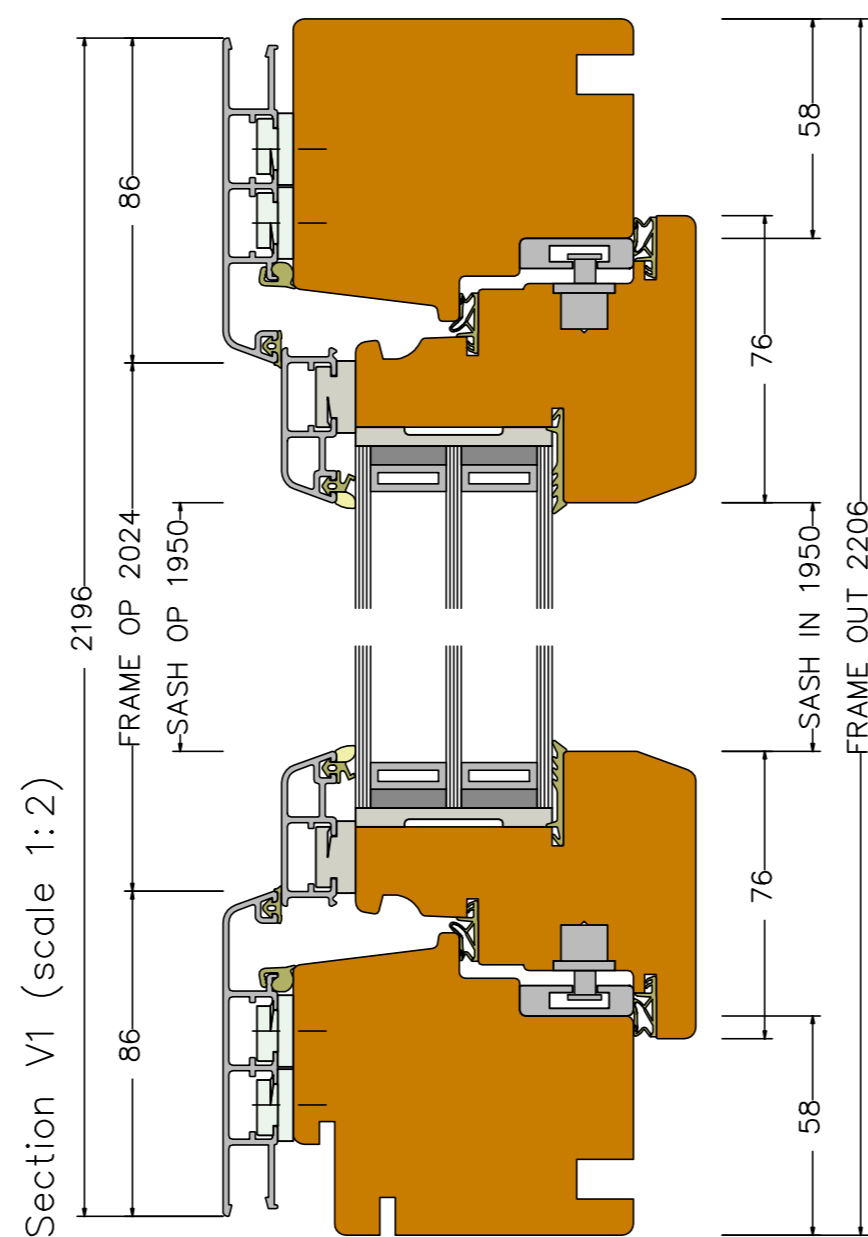
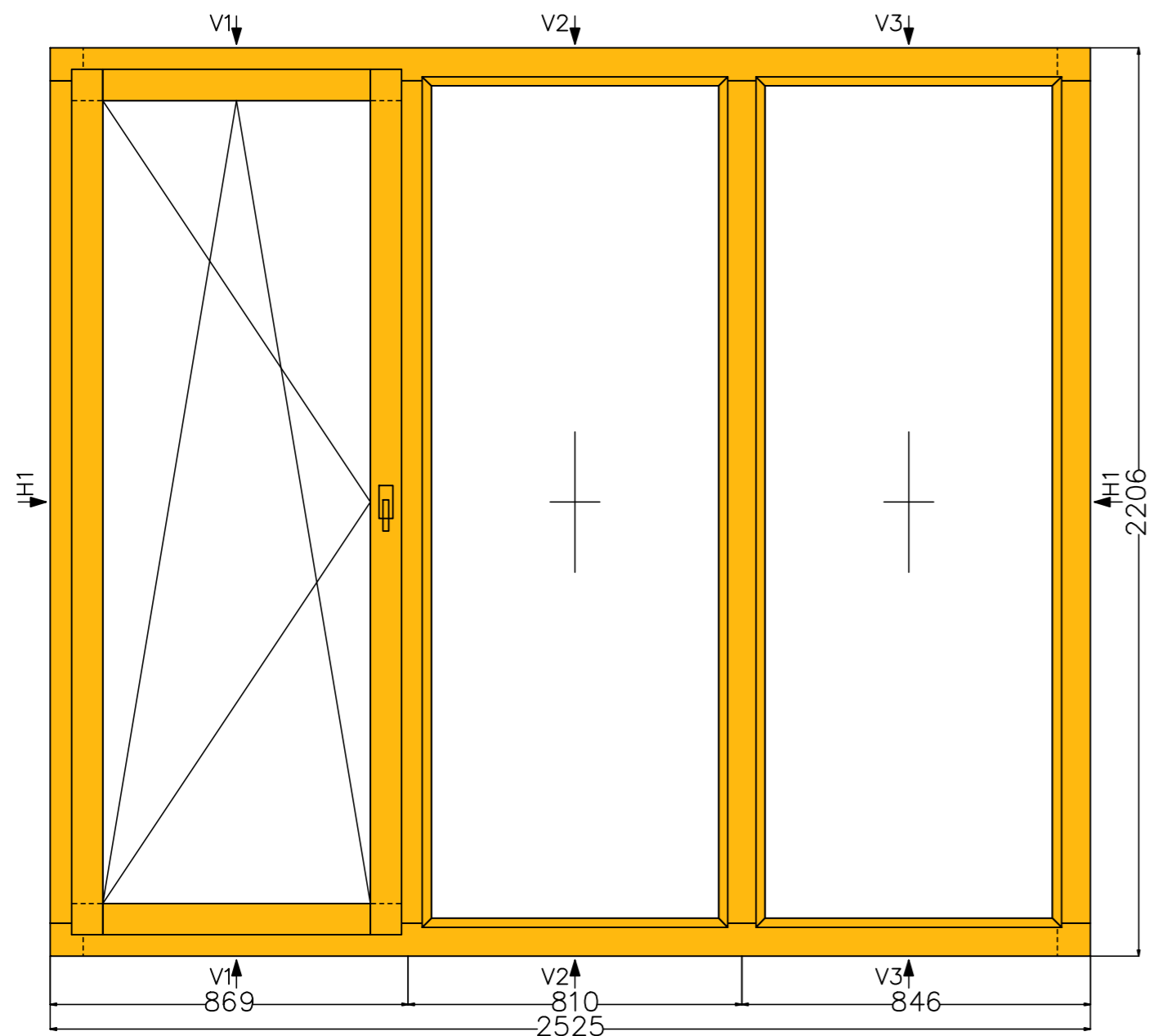


Section H1 (scale 1:2)

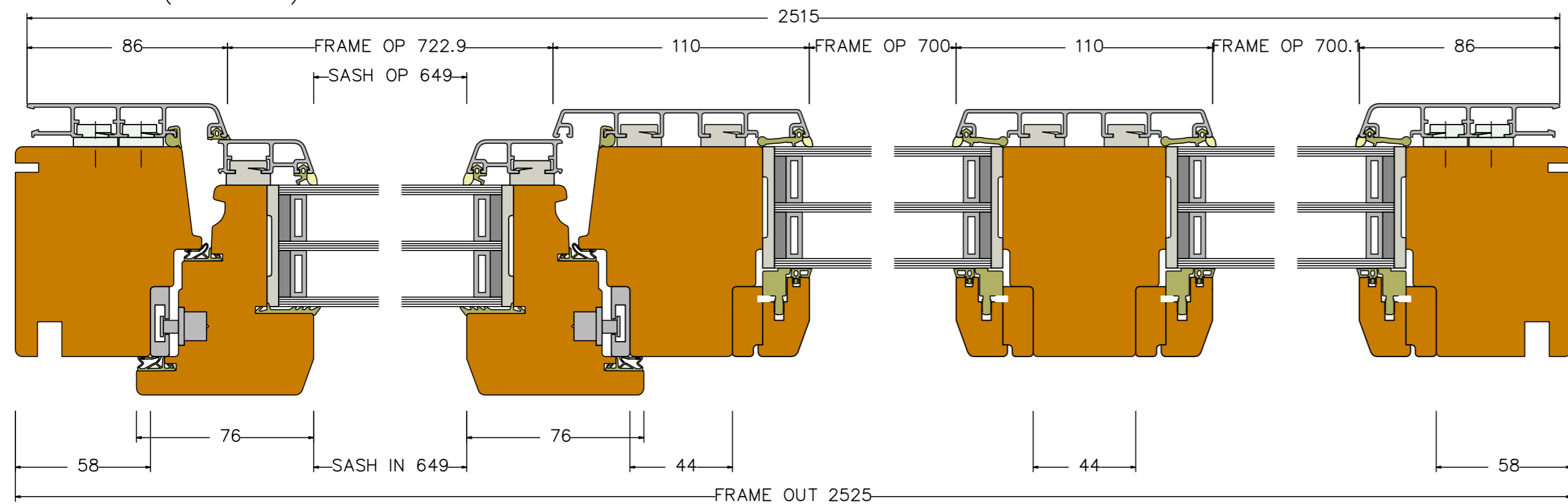


ThermaDura e-MOD Thermally Efficient Window/Door Modules	drawn	Date	Name
		30.05.2020	Rampe
Description: DesignLine e-MOD D-166 Timber-Aluminium Tilt & turn window			
<b>ThermaDura</b>	These drawings are protected by copyright and only to be used in conjunction with the supply of ThermaDura products. This drawing is an instrument of service and is provided for informational use only. © 2019 ThermaDura Ltd		

View from inside (scale 1:15)

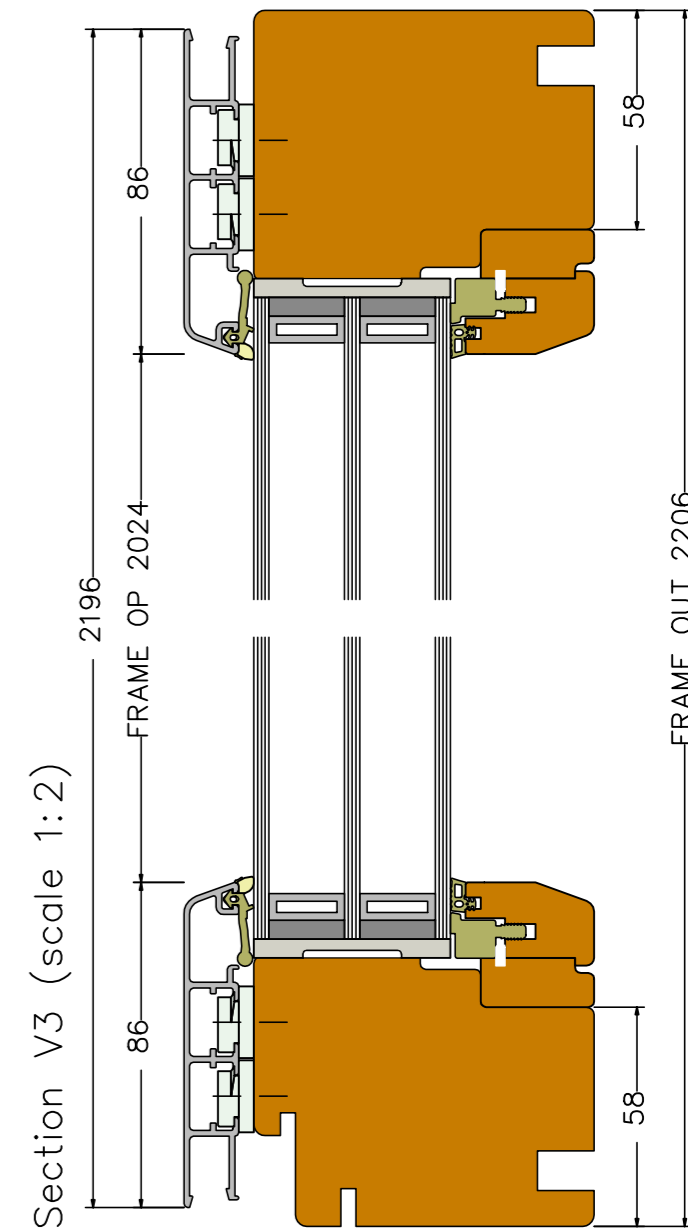
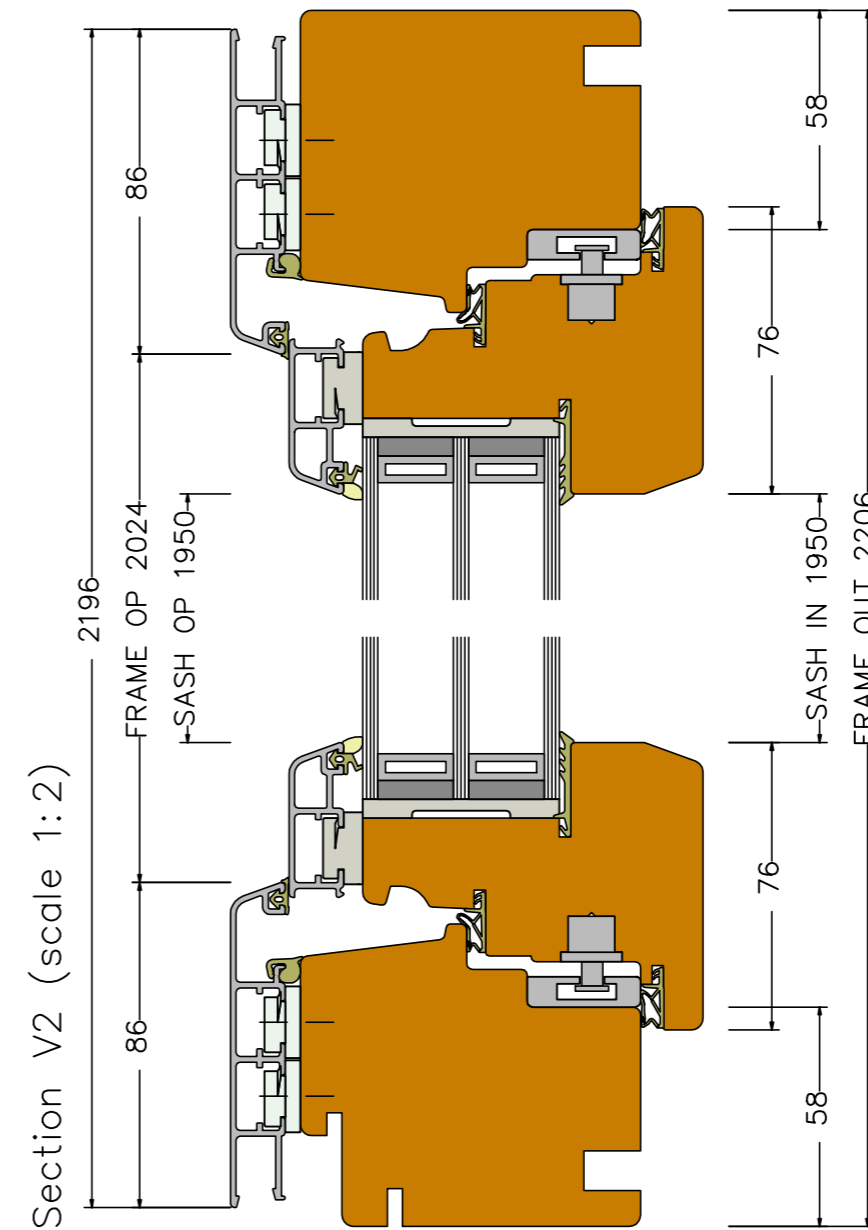
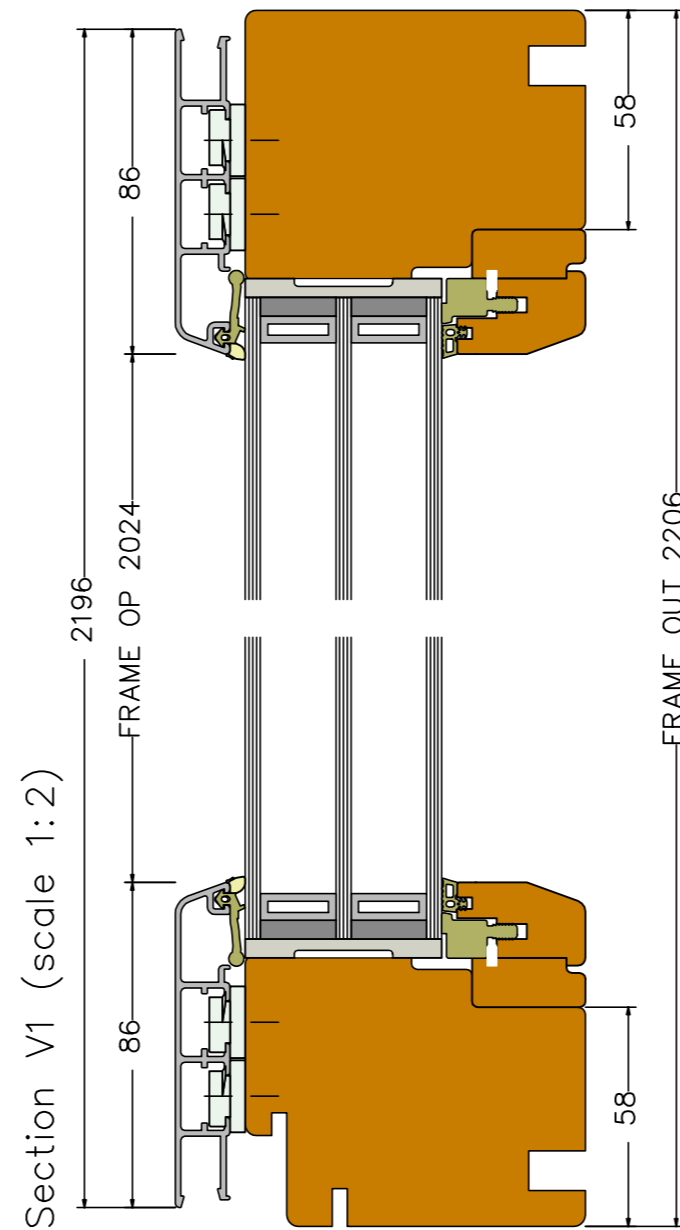
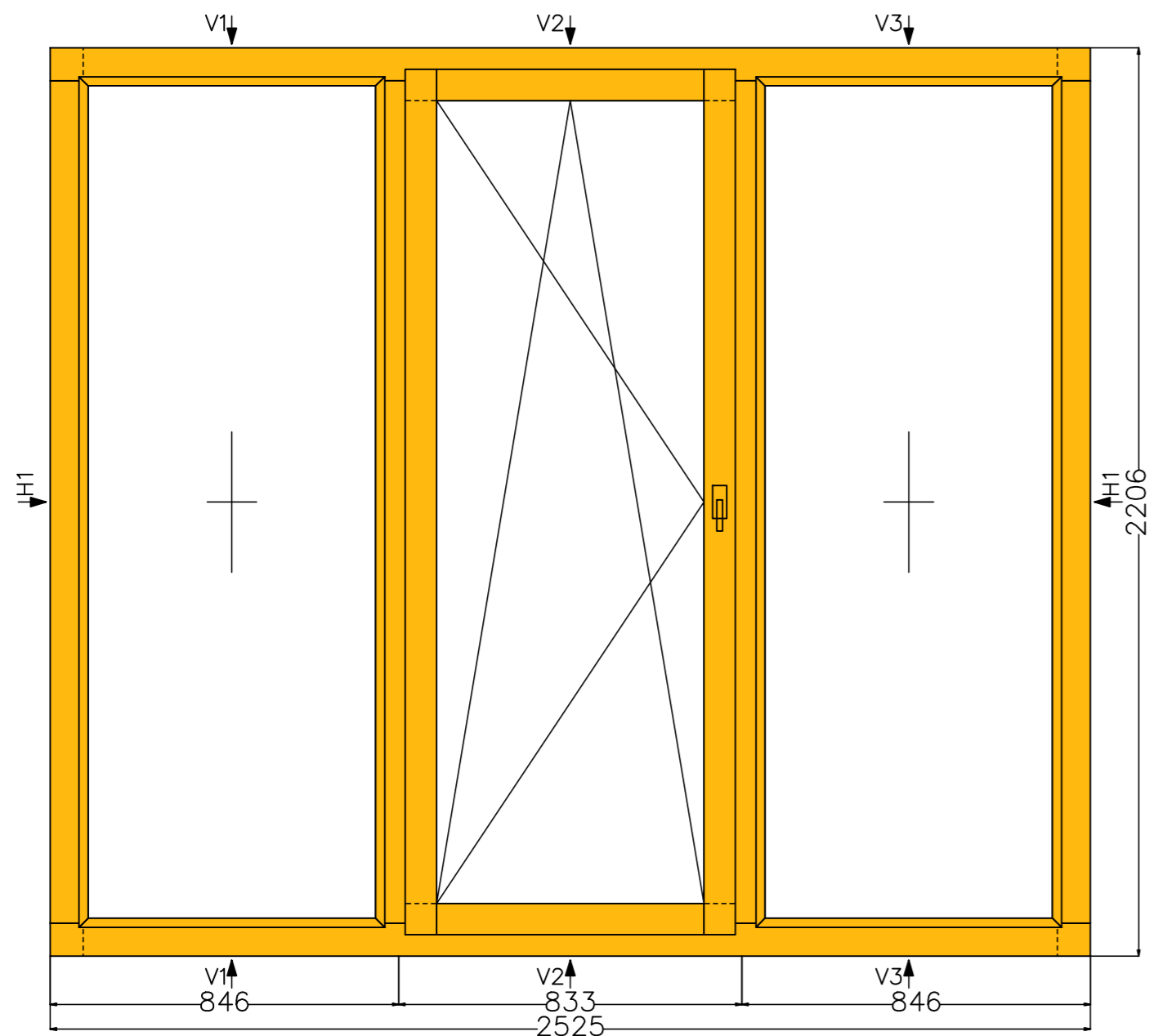


Section H1 (scale 1:2)

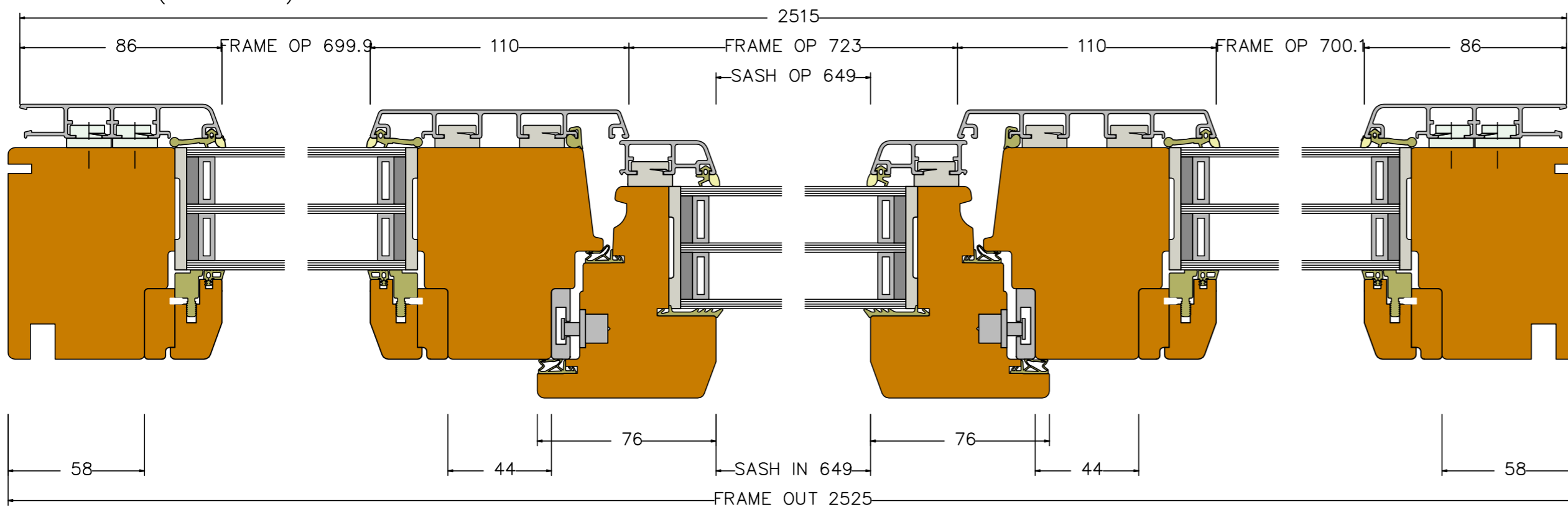


ThermaDura e-MOD Thermally Efficient Window/Door Modules	drawn	Date	Name
		30.05.2020	Rampe
Description: DesignLine e-MOD D-167 Timber-Aluminium Tilt & turn window			
<b>ThermaDura</b>	These drawings are protected by copyright and only to be used in conjunction with the supply of Thermadura products. This drawing is an instrument of service and is provided for informational use only. © 2019 ThermaDura Ltd		

View from inside (scale 1:15)

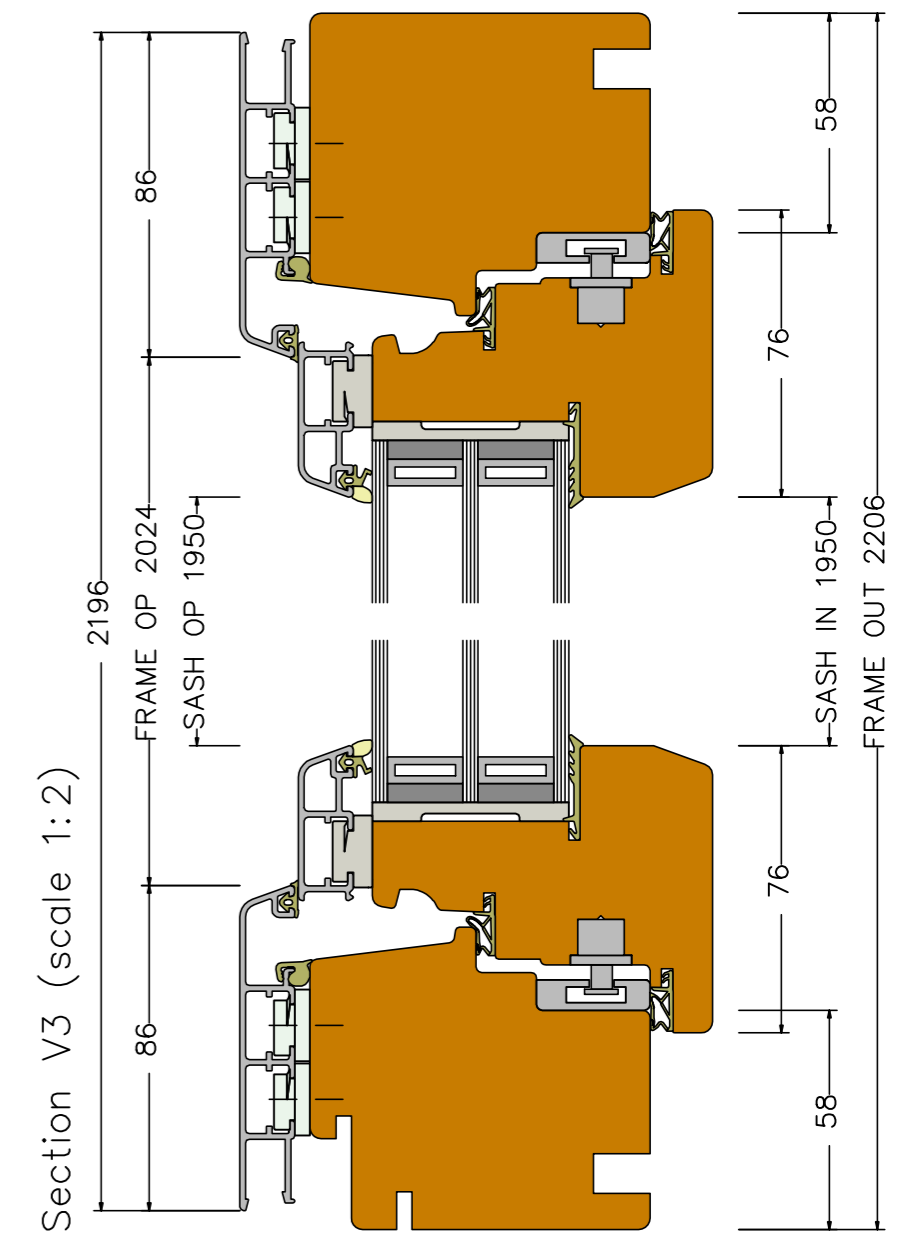
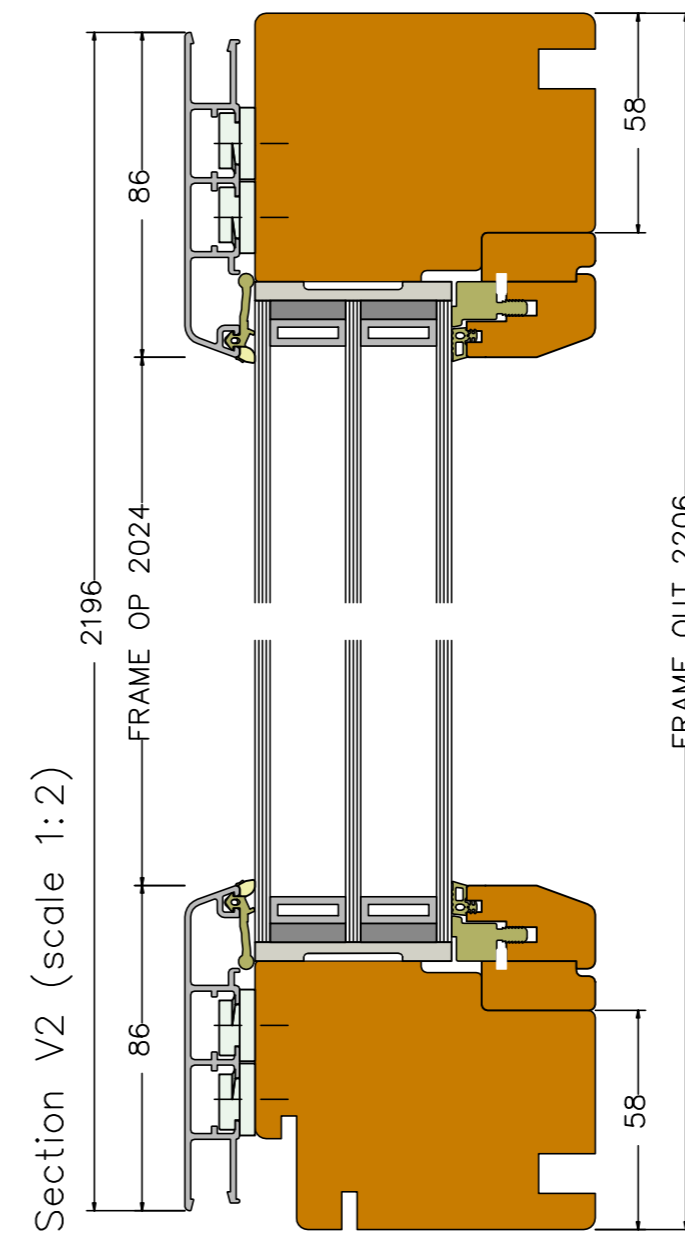
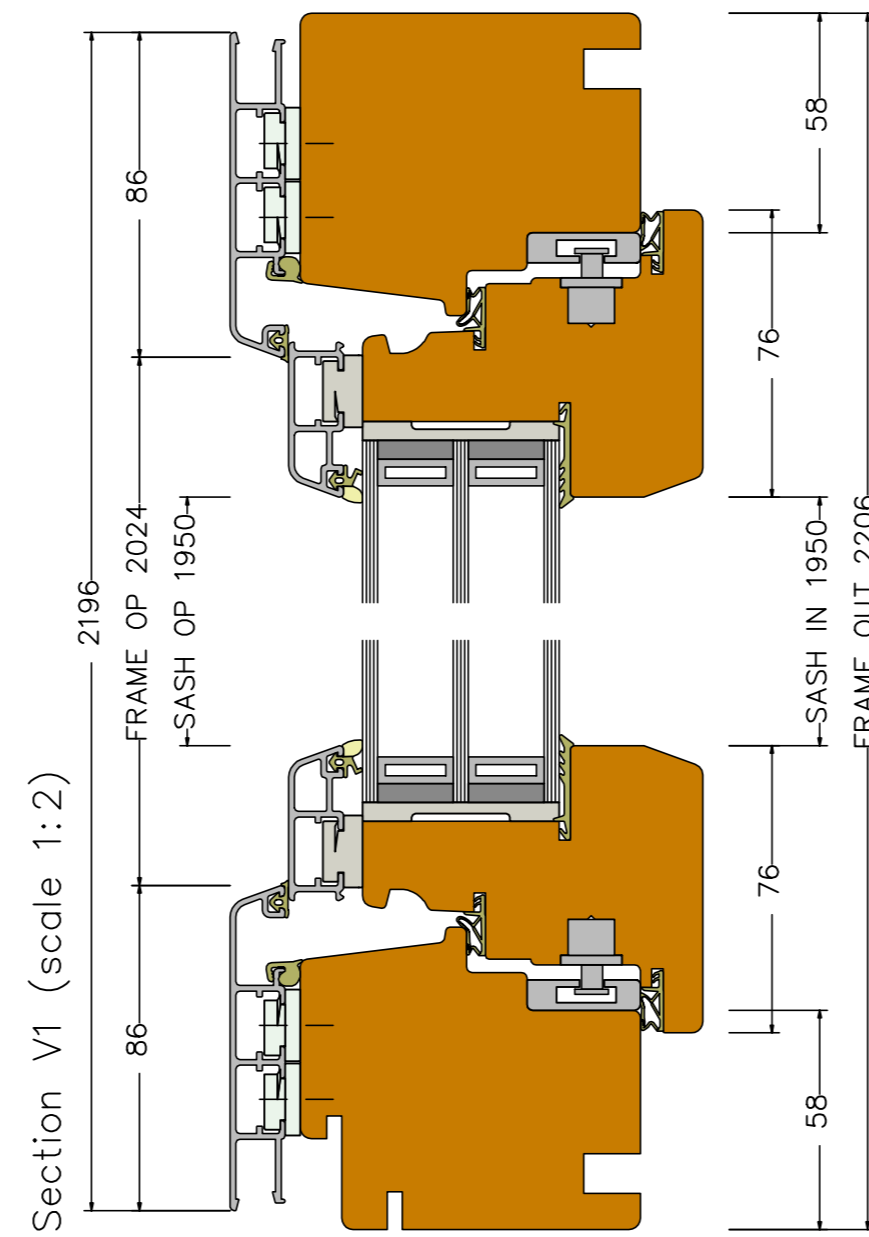
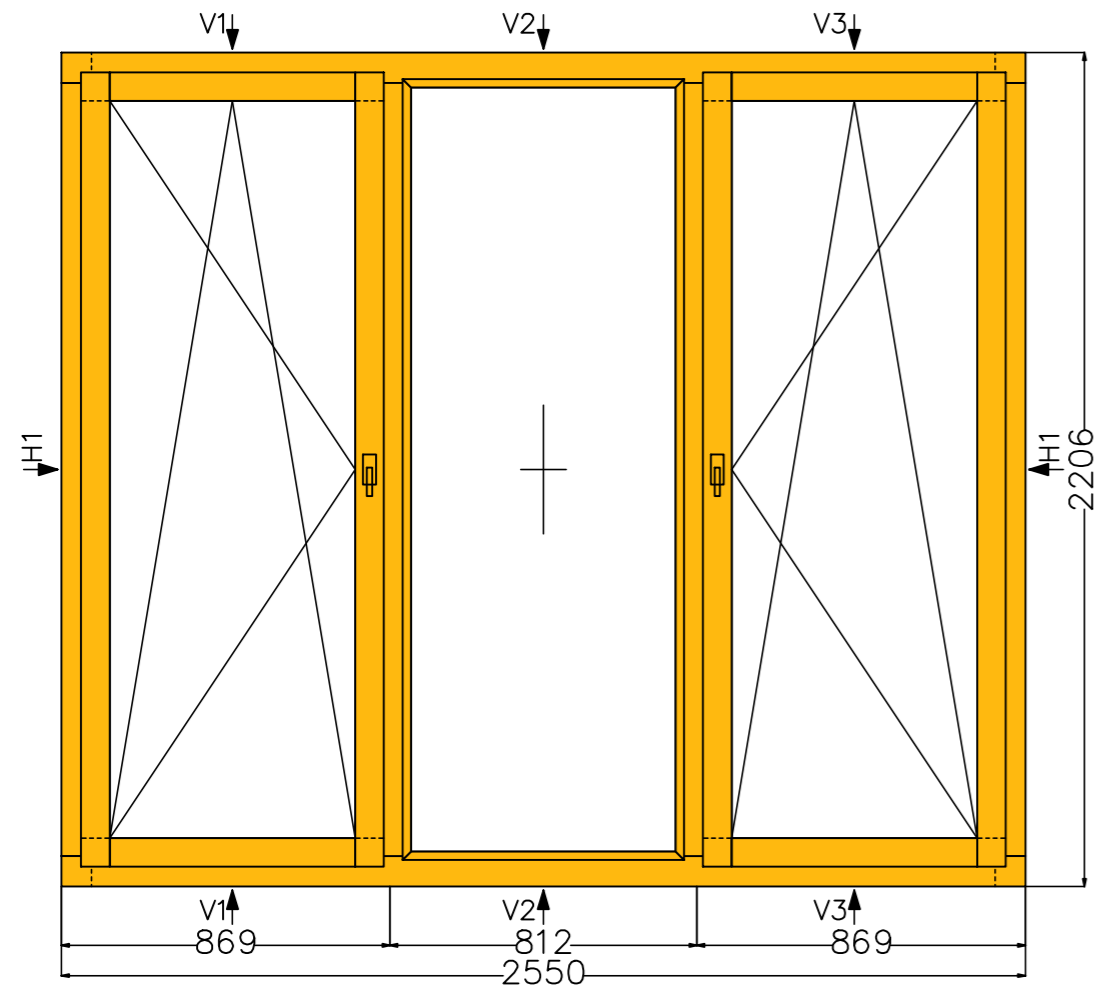


Section H1 (scale 1:2)

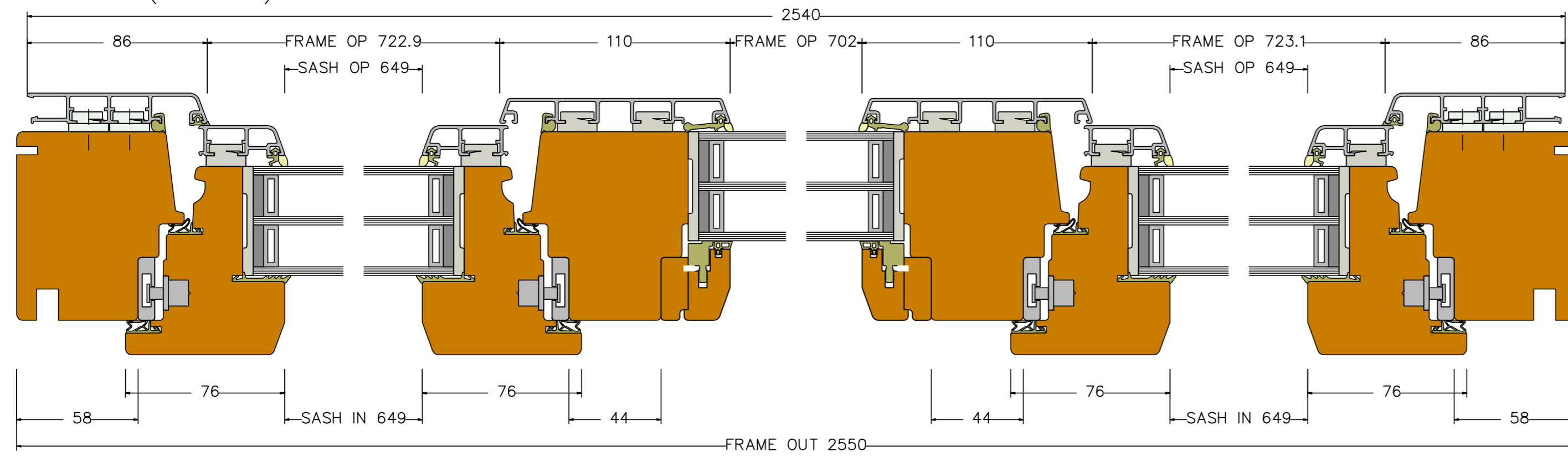


ThermaDura e-MOD Thermally Efficient Window/Door Modules  Description: DesignLine e-MOD D-168 Timber-Aluminium Tilt & turn window	drawn	Date	Name
		30.05.2020	Rampe
These drawings are protected by copyright and only to be used in conjunction with the supply of ThermaDura products. This drawing is an instrument of service and is provided for informational use only.		© 2019 ThermaDura Ltd	

View from inside (scale 1:20)



Section H1 (scale 1:2)



ThermaDura e-MOD Thermally Efficient Window/Door Modules	drawn	Date	Name
		30.05.2020	Rampe

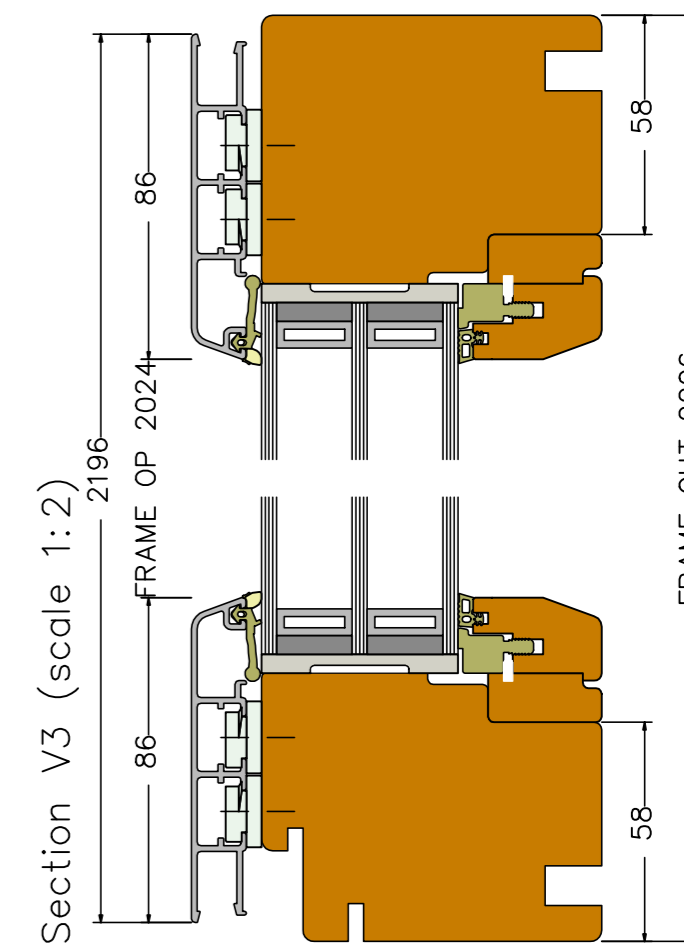
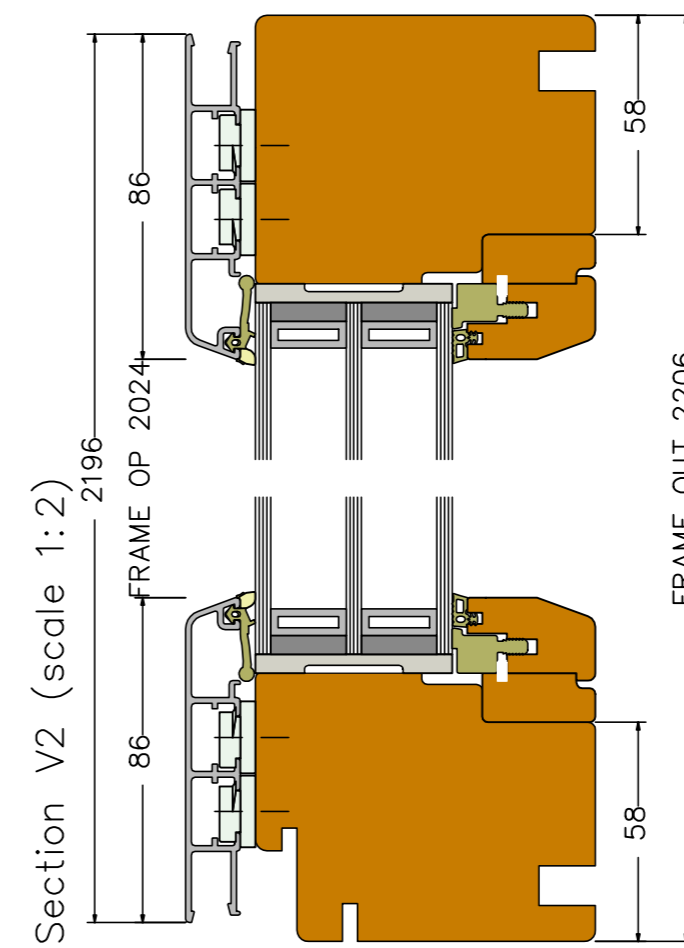
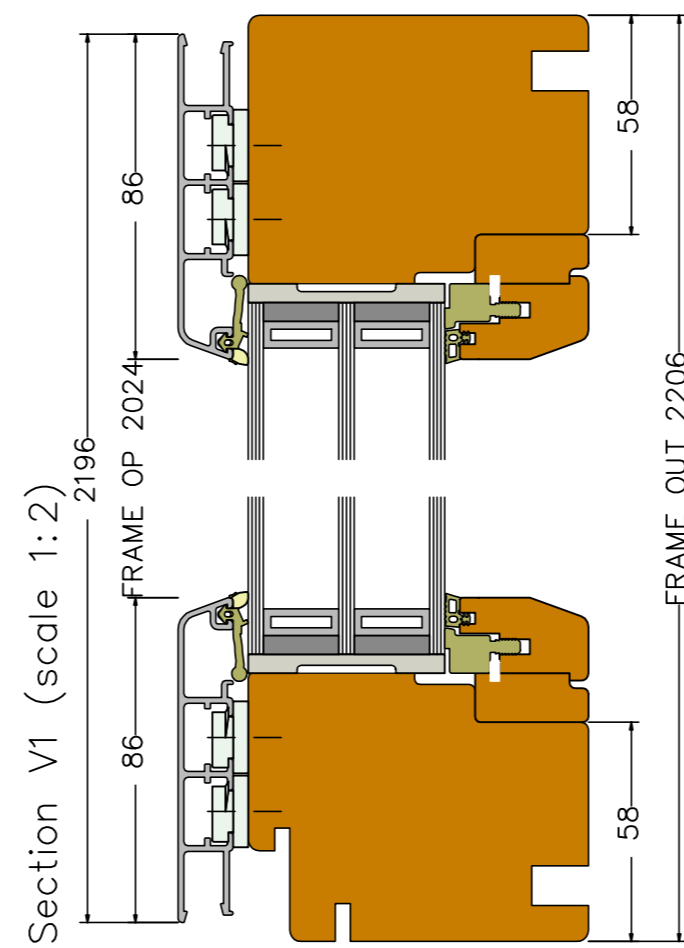
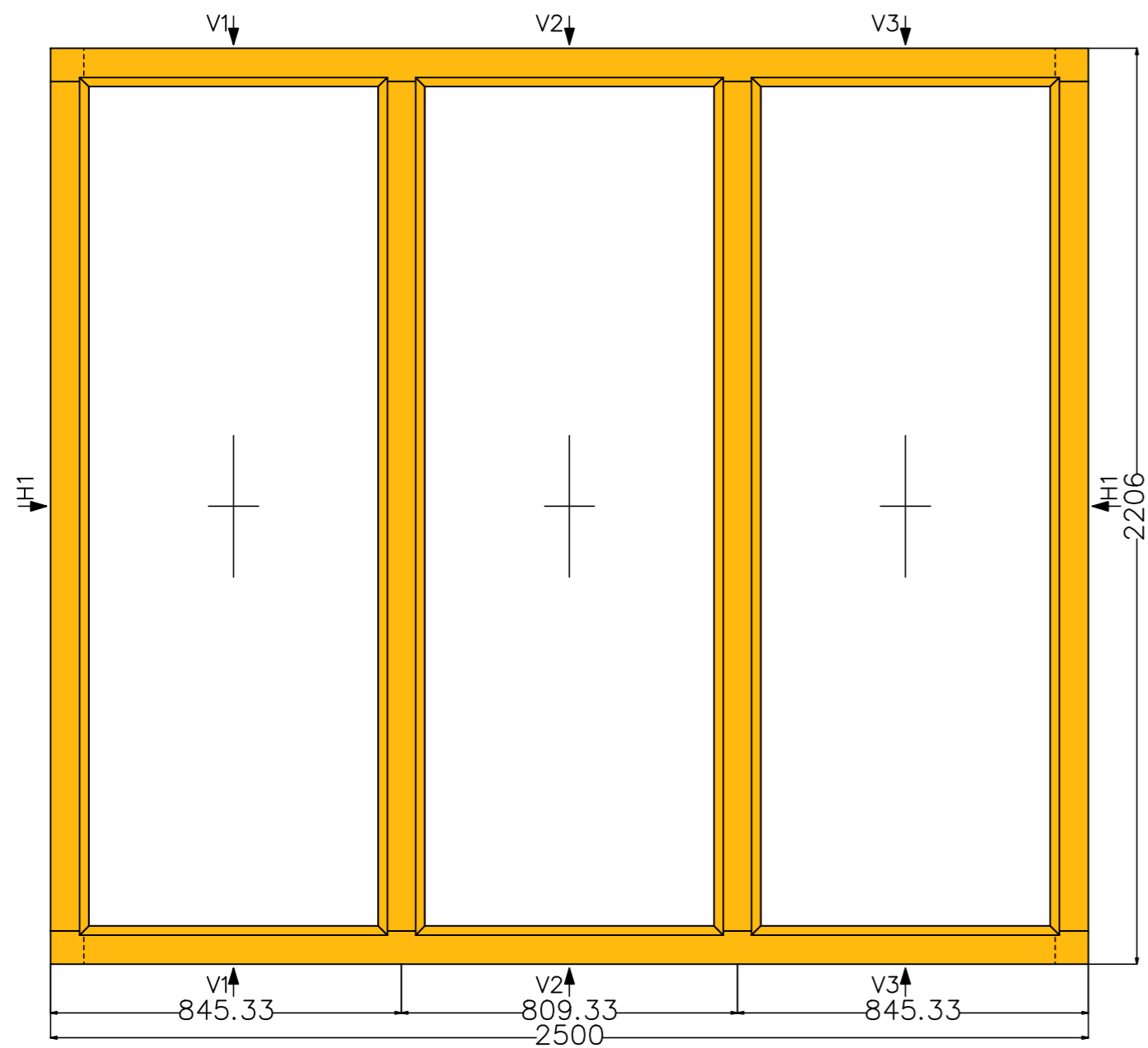
Description:  
DesignLine e-MOD D-169 Timber-Aluminium Tilt & turn window



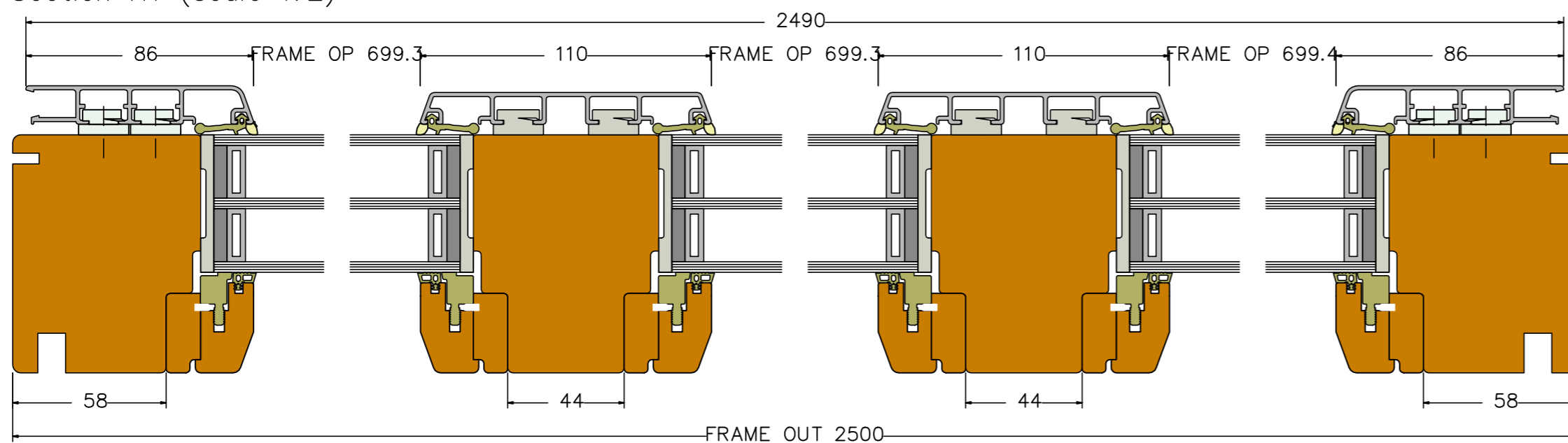
**ThermaDura** These drawings are protected by copyright and only to be used in conjunction with the supply of ThermaDura products. This drawing is an instrument of service and is provided for informational use only. © 2019 ThermaDura Ltd



View from inside (scale 1:15)



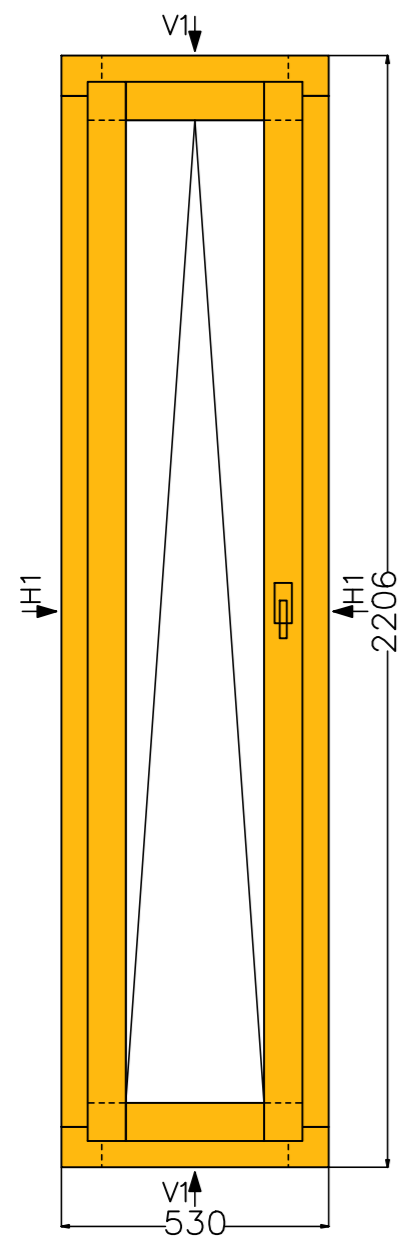
Section H1 (scale 1:2)



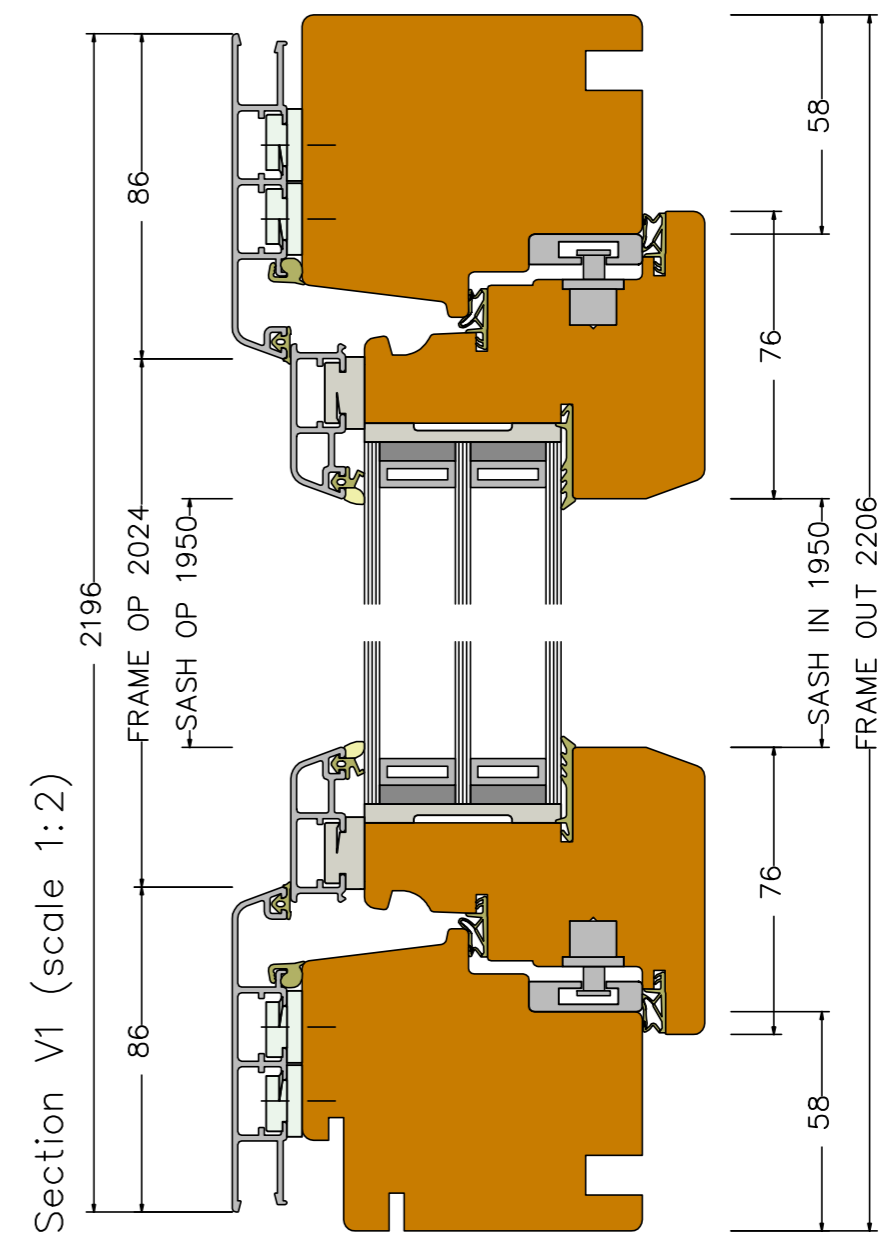
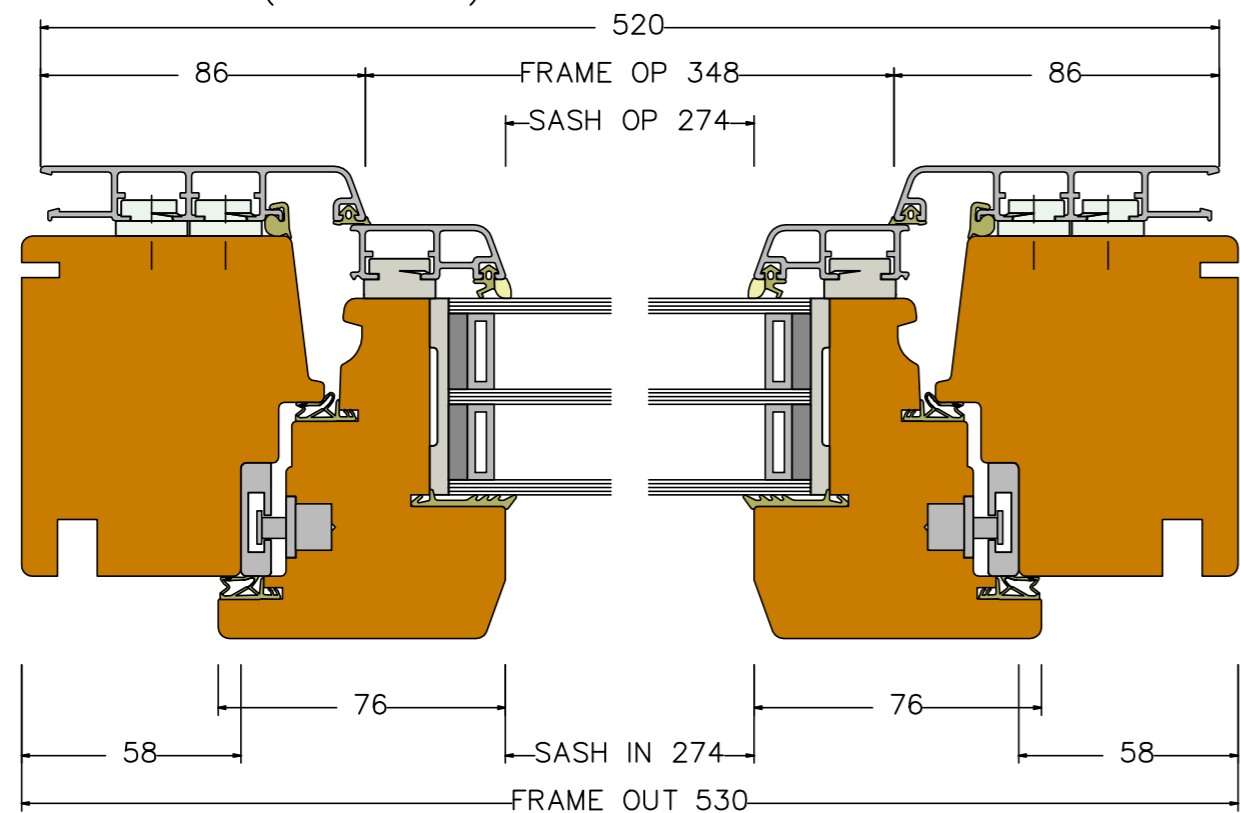
ThermaDura e-MOD Thermally Efficient Window/Door Modules	drawn	Date	Name
		30.05.2020	Rampe
Description: DesignLine e-MOD D-170 Timber-Aluminium Fixed window			
<b>ThermaDura</b>	These drawings are protected by copyright and only to be used in conjunction with the supply of ThermaDura products. This drawing is an instrument of service and is provided for informational use only. © 2019 ThermaDura Ltd		



View from inside (scale 1:15)

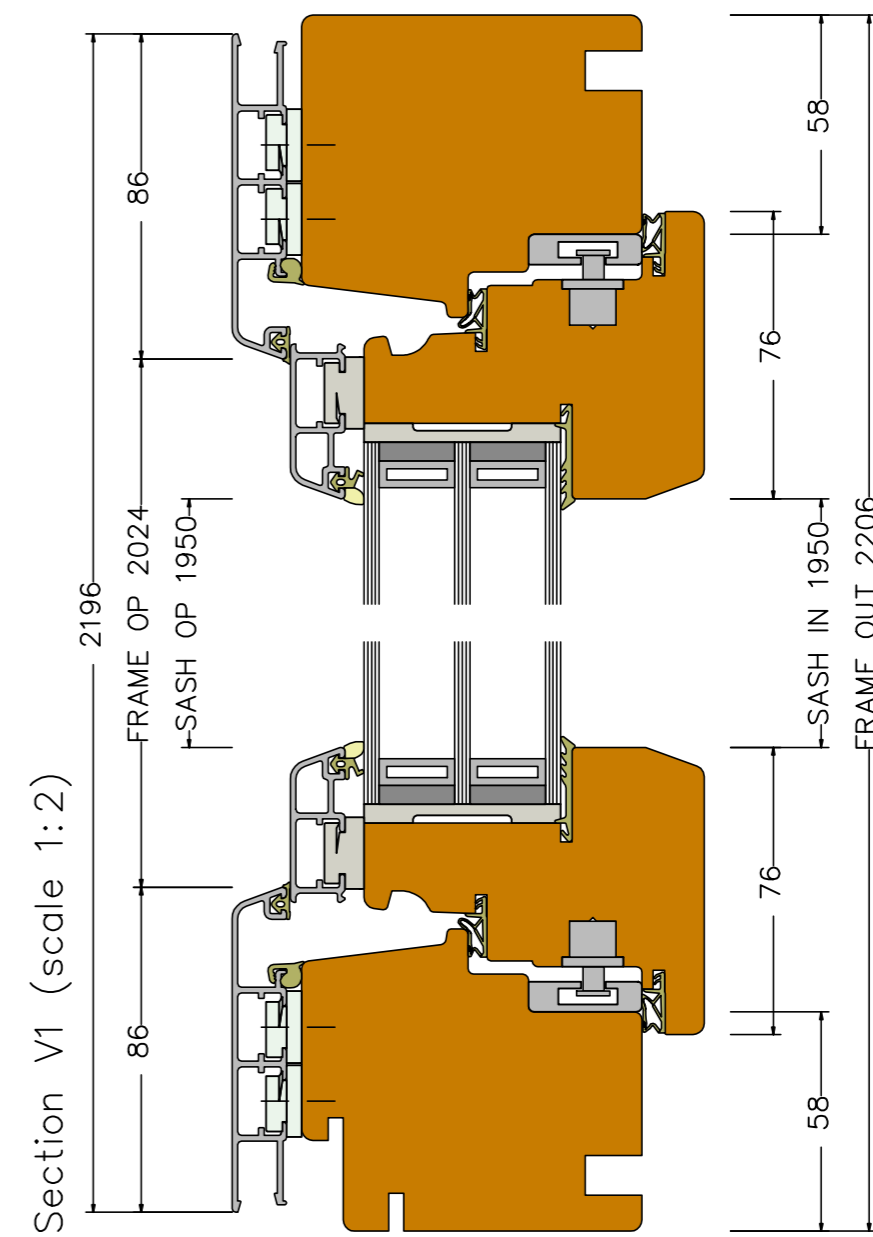
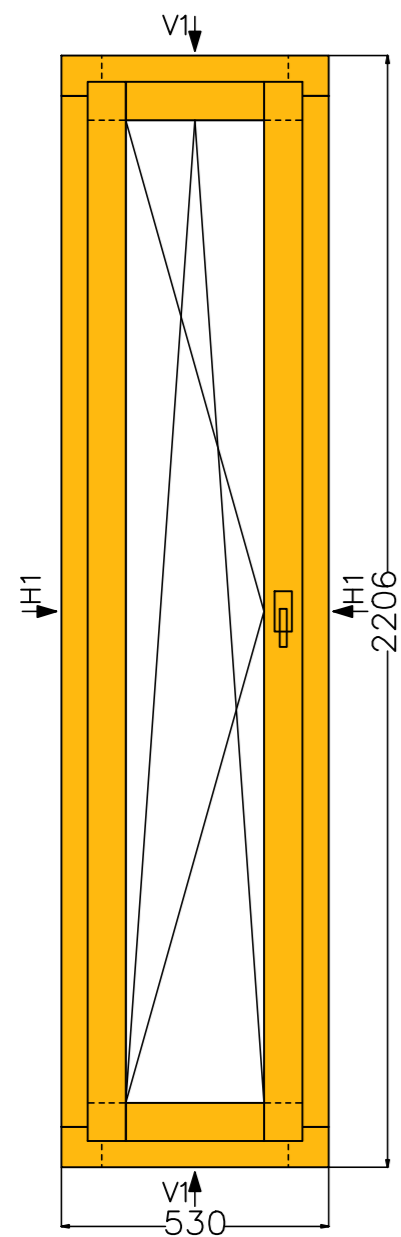


Section H1 (scale 1:2)

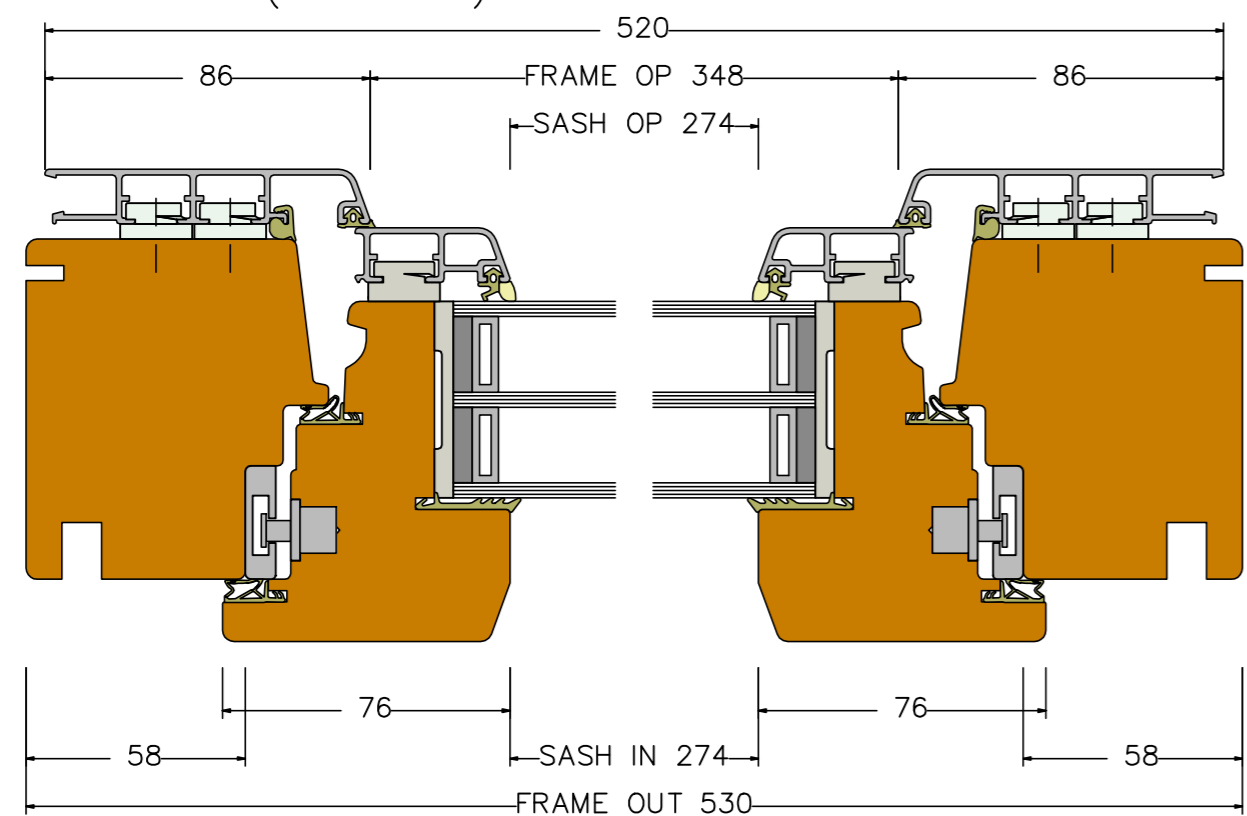


ThermaDura e-MOD Thermally Efficient Window/Door Modules	drawn	Date	Name
		30.05.2020	Rampe
Description: DesignLine e-MOD D-171 Timber-Aluminium tilt window			
<b>ThermaDura</b>	These drawings are protected by copyright and only to be used in conjunction with the supply of Thermadura products. This drawing is an instrument of service and is provided for informational use only. © 2019 Thermadura Ltd		

View from inside (scale 1:15)

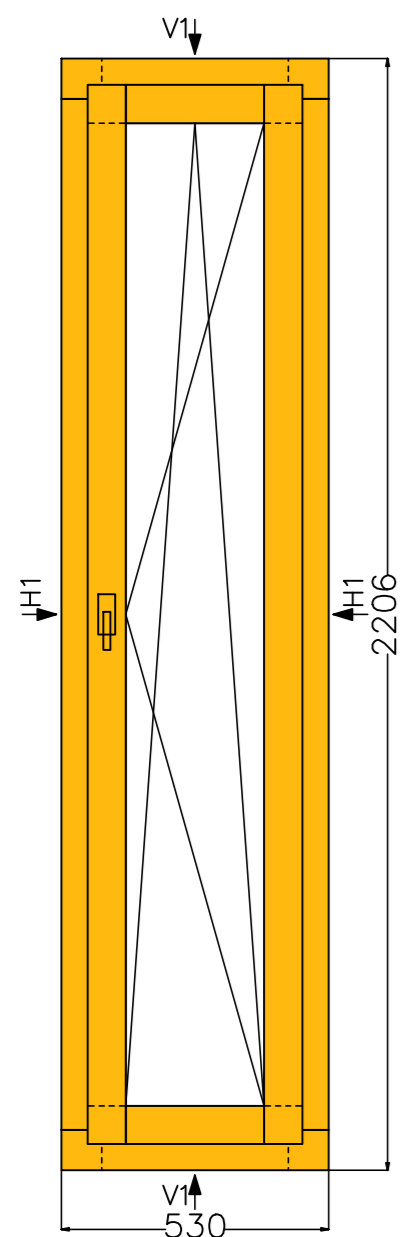


Section H1 (scale 1:2)

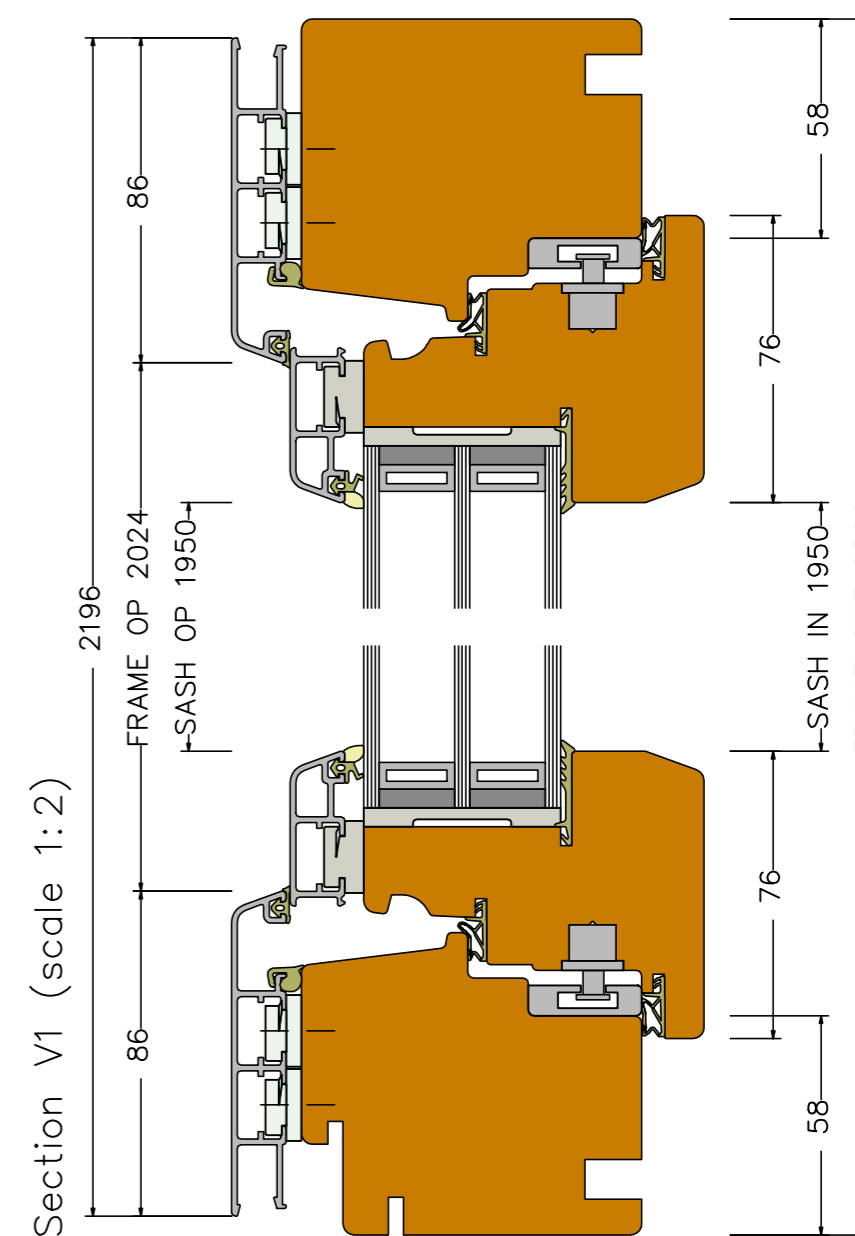
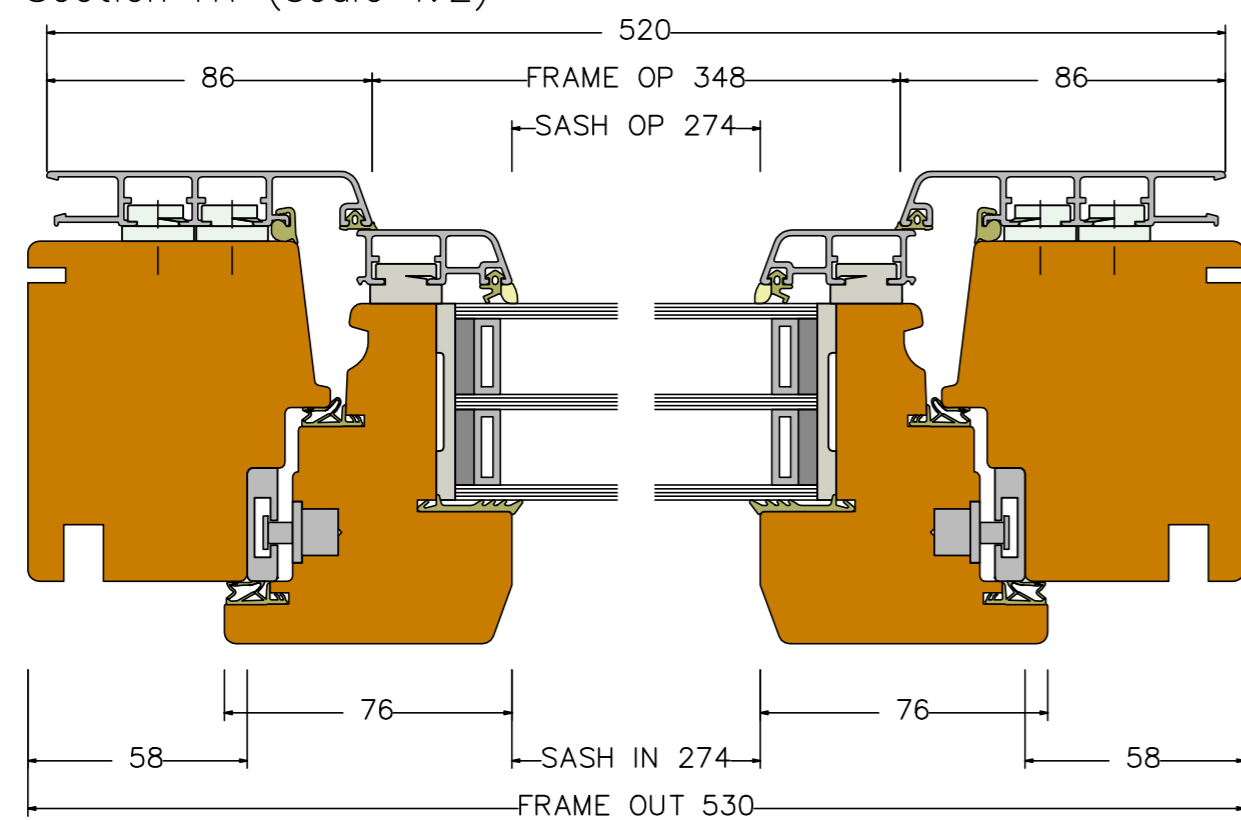


ThermaDura e-MOD Thermally Efficient Window/Door Modules	drawn	Date	Name
		30.05.2020	Rampe
Description: DesignLine e-MOD D-172 Timber-Aluminium tilt-turn window			
<b>ThermaDura</b>	These drawings are protected by copyright and only to be used in conjunction with the supply of ThermaDura products. This drawing is an instrument of service and is provided for informational use only. © 2019 ThermaDura Ltd		

View from inside (scale 1:15)

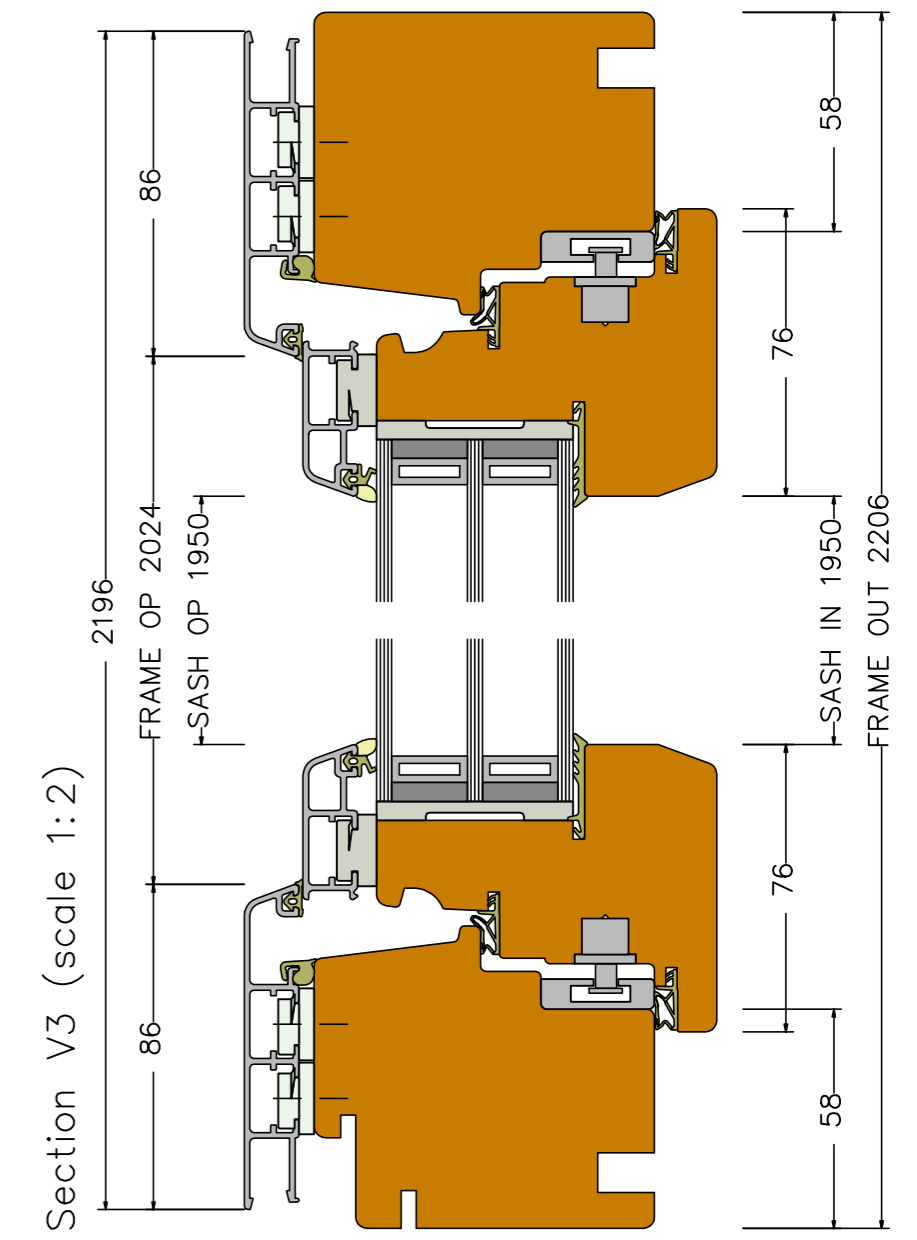
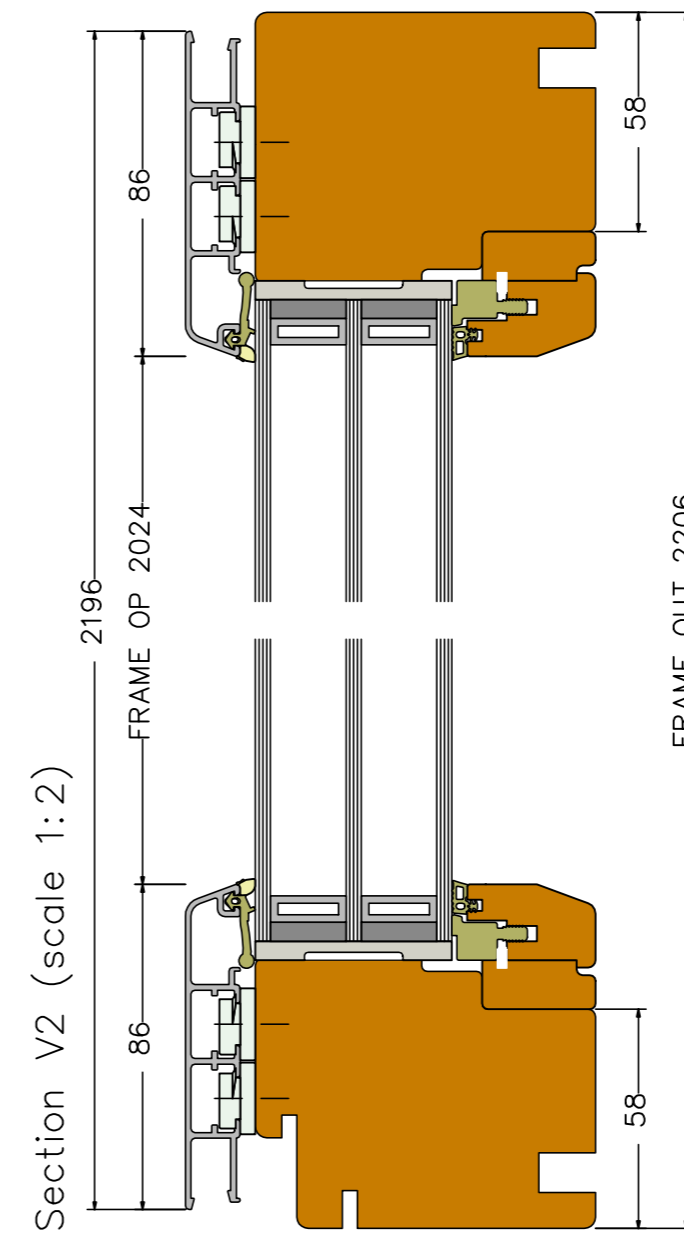
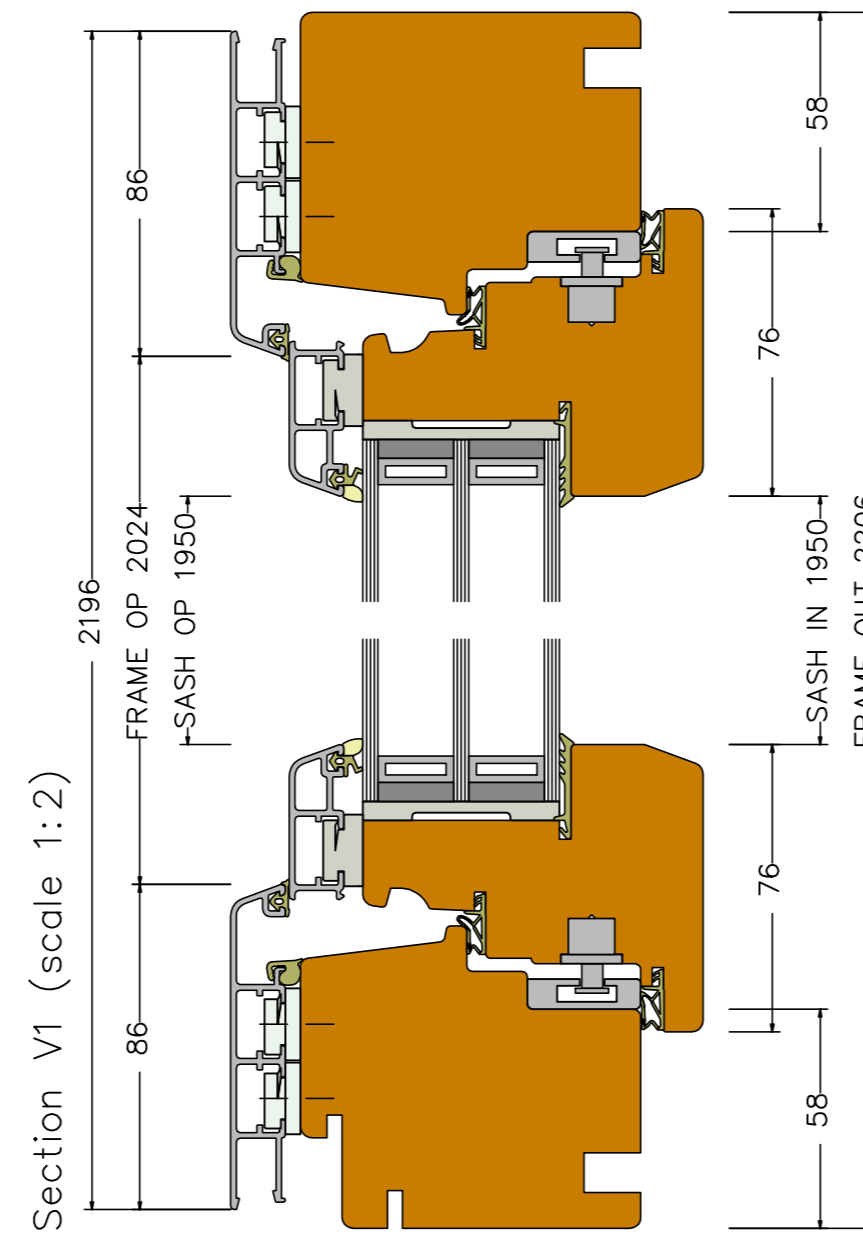
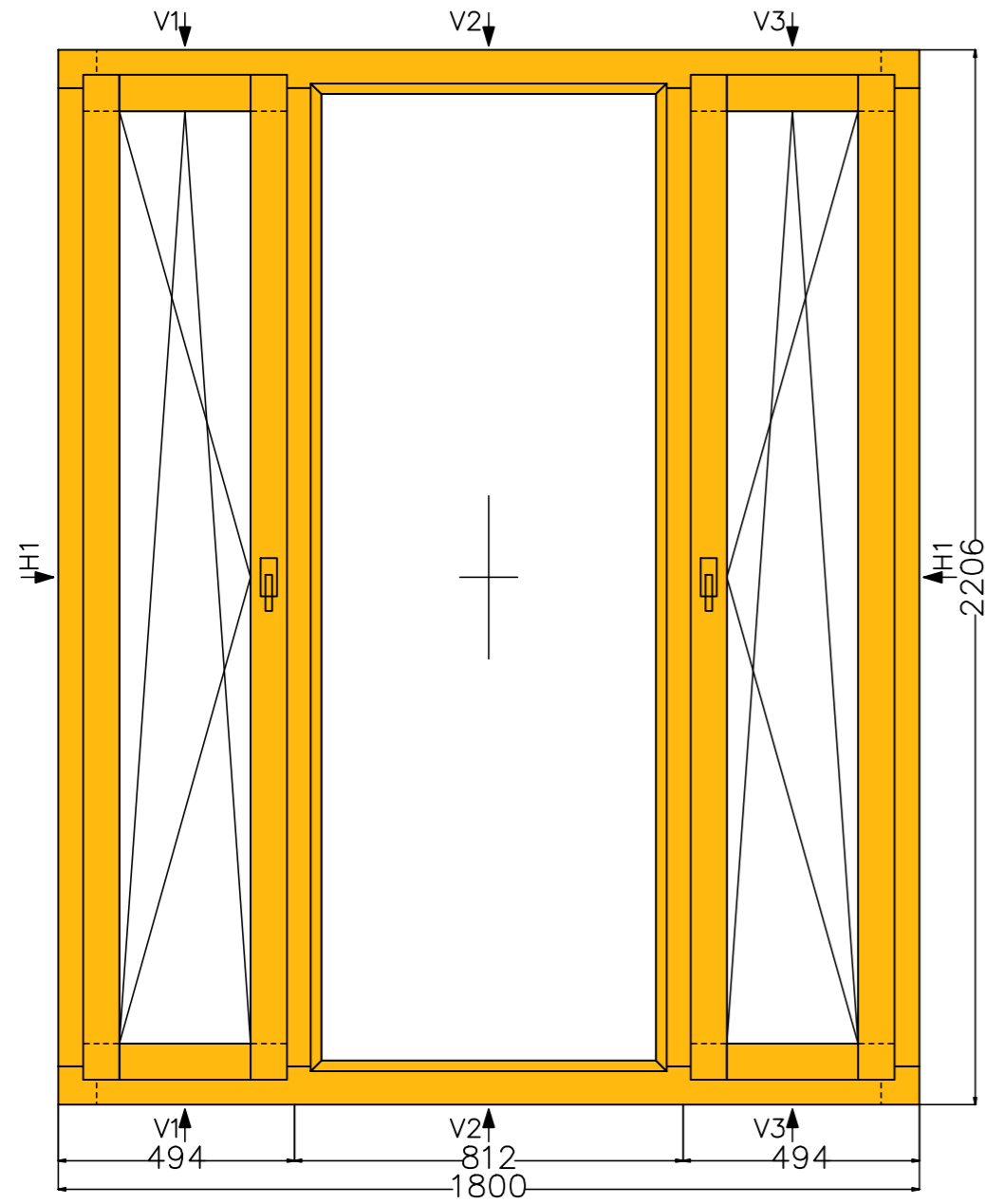


Section H1 (scale 1:2)

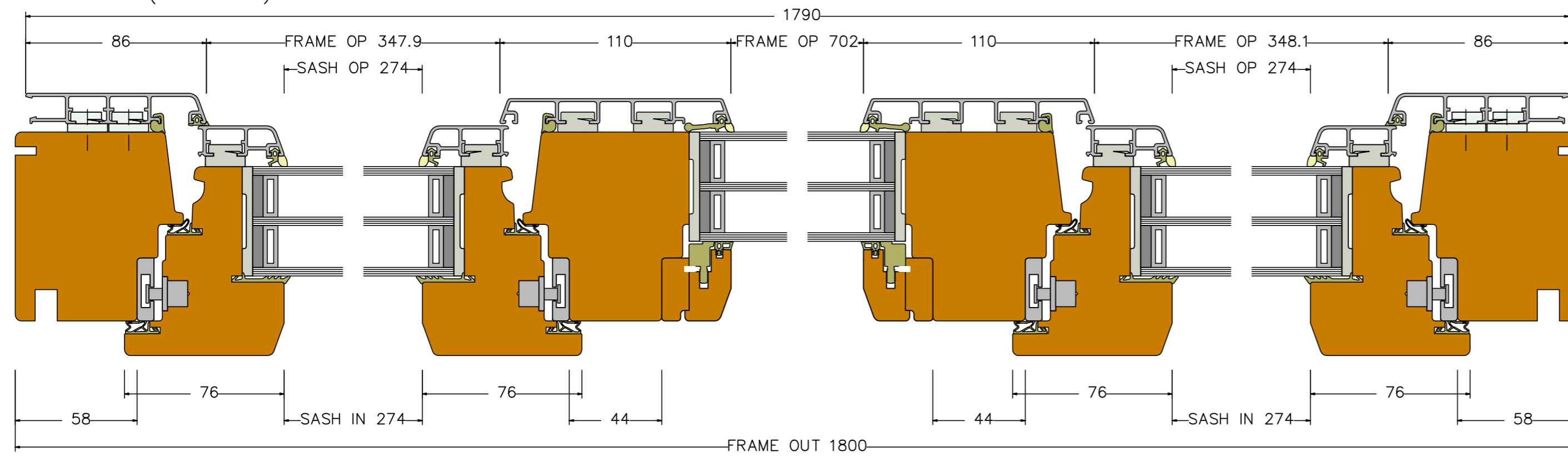


ThermaDura e-MOD Thermally Efficient Window/Door Modules	drawn	Date	Name
		30.05.2020	Rampe
Description: DesignLine e-MOD D-173 Timber-Aluminium tilt-turn window			
<b>ThermaDura</b>	These drawings are protected by copyright and only to be used in conjunction with the supply of Thermadura products. This drawing is an instrument of service and is provided for informational use only. © 2019 Thermadura Ltd		

View from inside (scale 1:15)

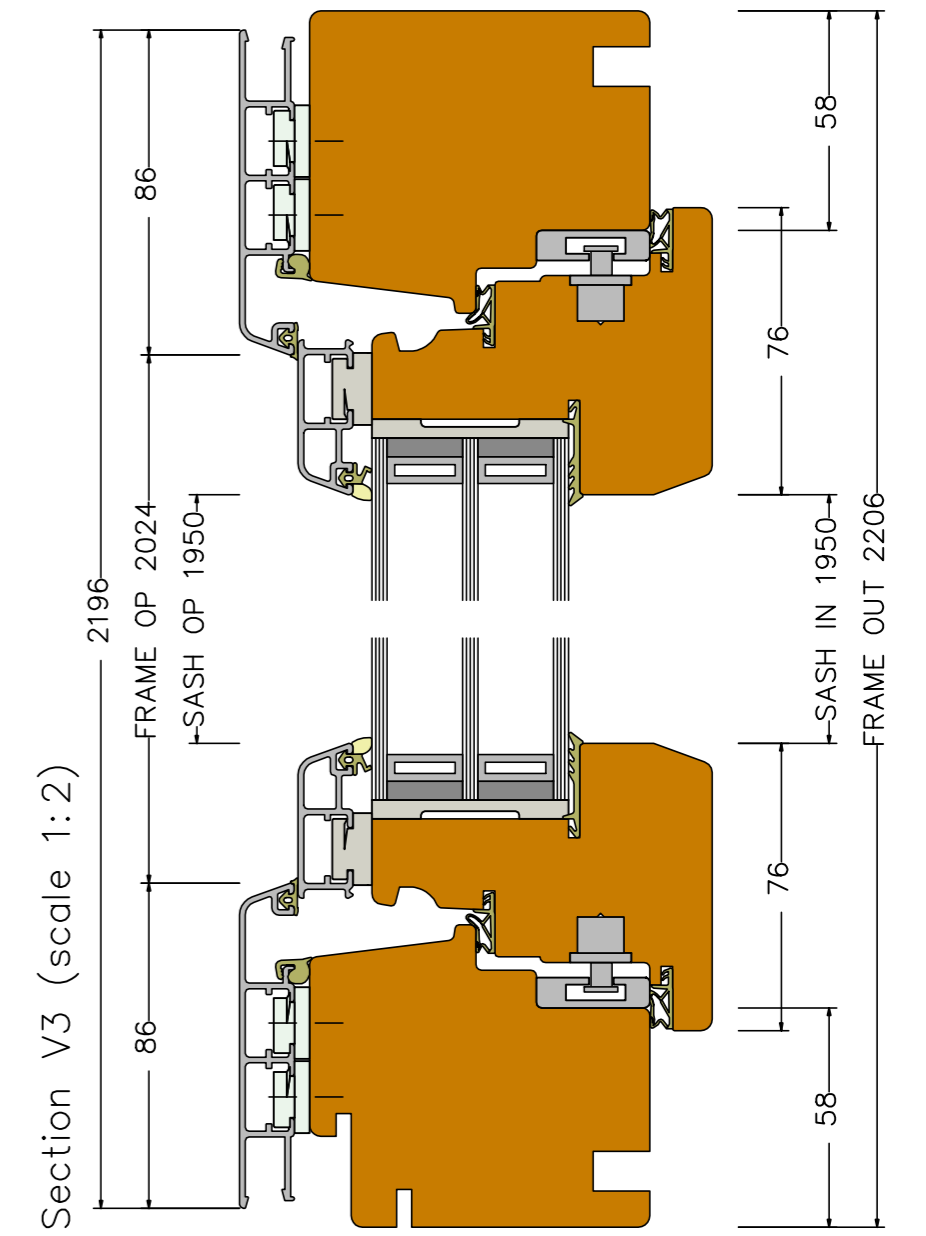
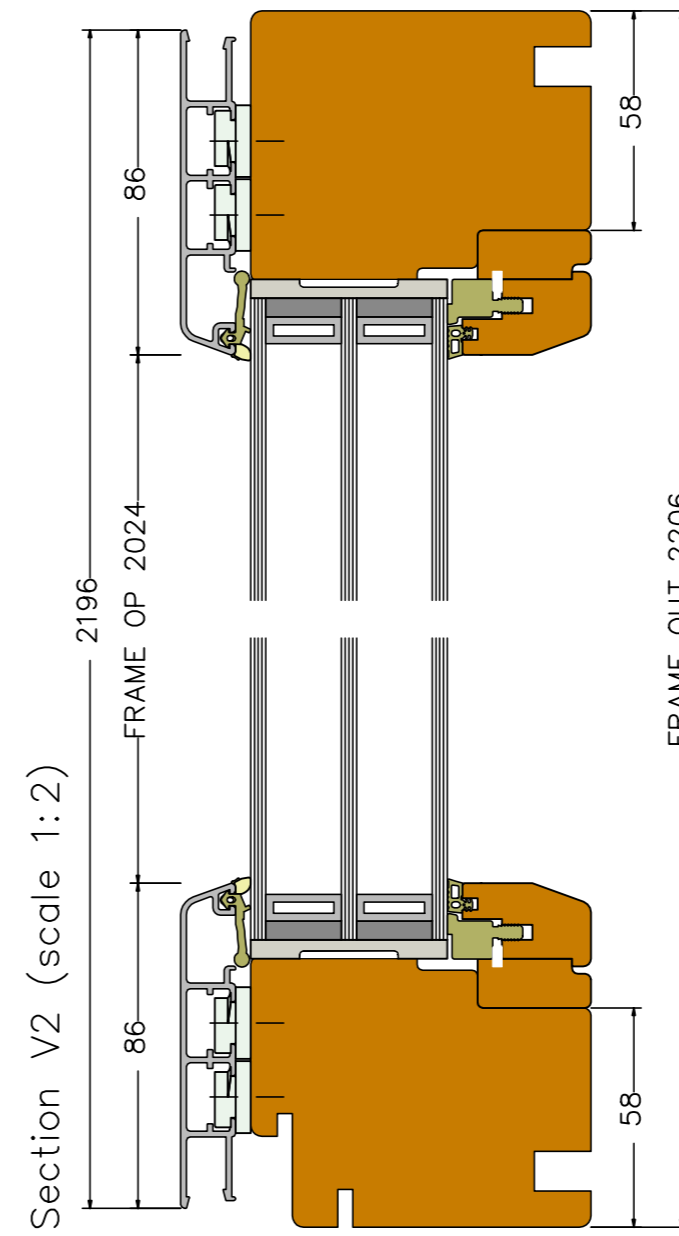
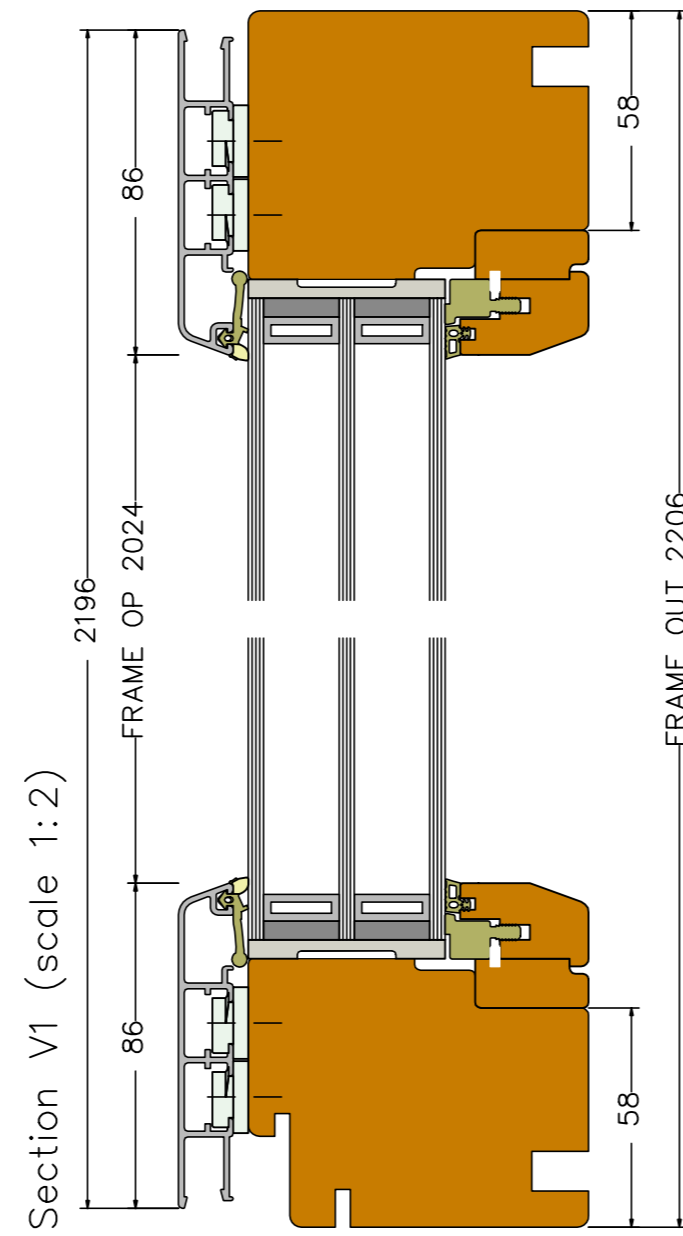
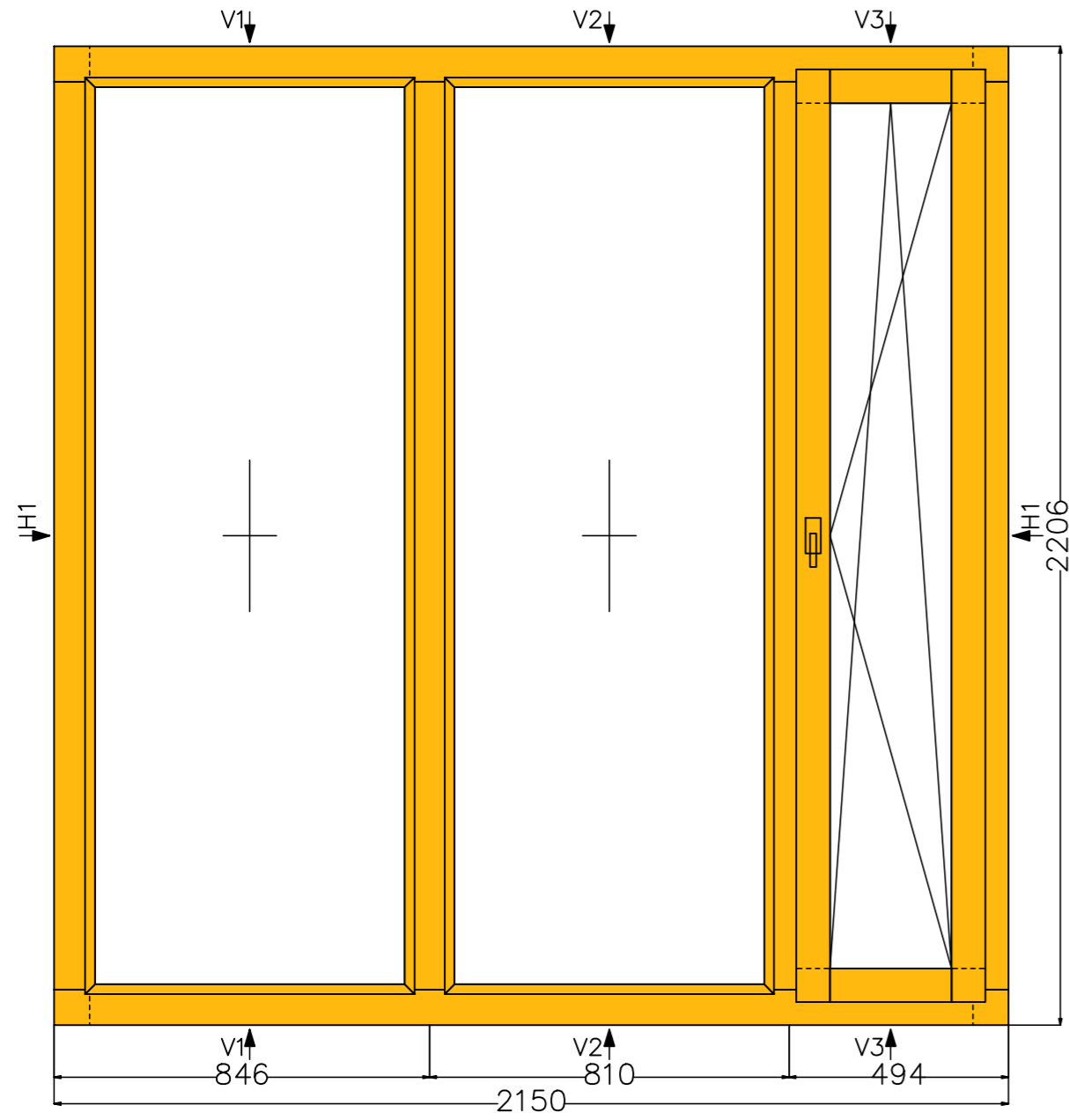


Section H1 (scale 1:2)

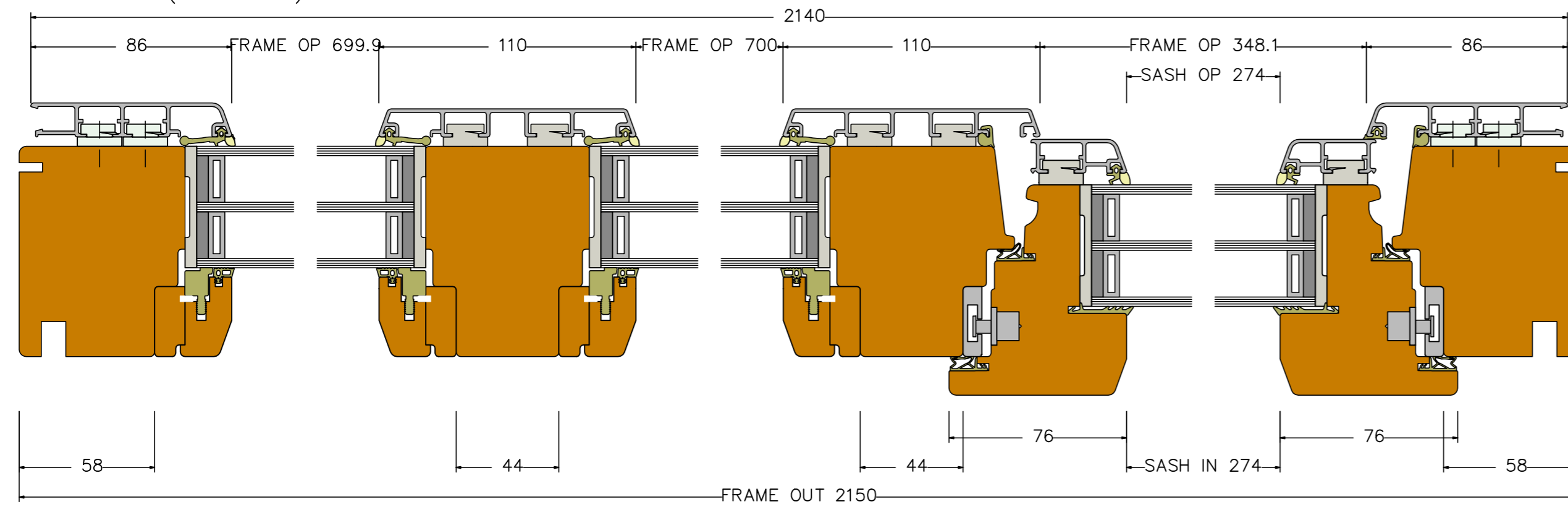


ThermaDura e-MOD Thermally Efficient Window/Door Modules	drawn	Date	Name
		30.05.2020	Rampe
Description: DesignLine e-MOD D-174 Timber-Aluminium Tilt & turn window			
<b>ThermaDura</b>		These drawings are protected by copyright and only to be used in conjunction with the supply of ThermaDura products. This drawing is an instrument of service and is provided for informational use only. © 2019 ThermaDura Ltd	

View from inside (scale 1:15)

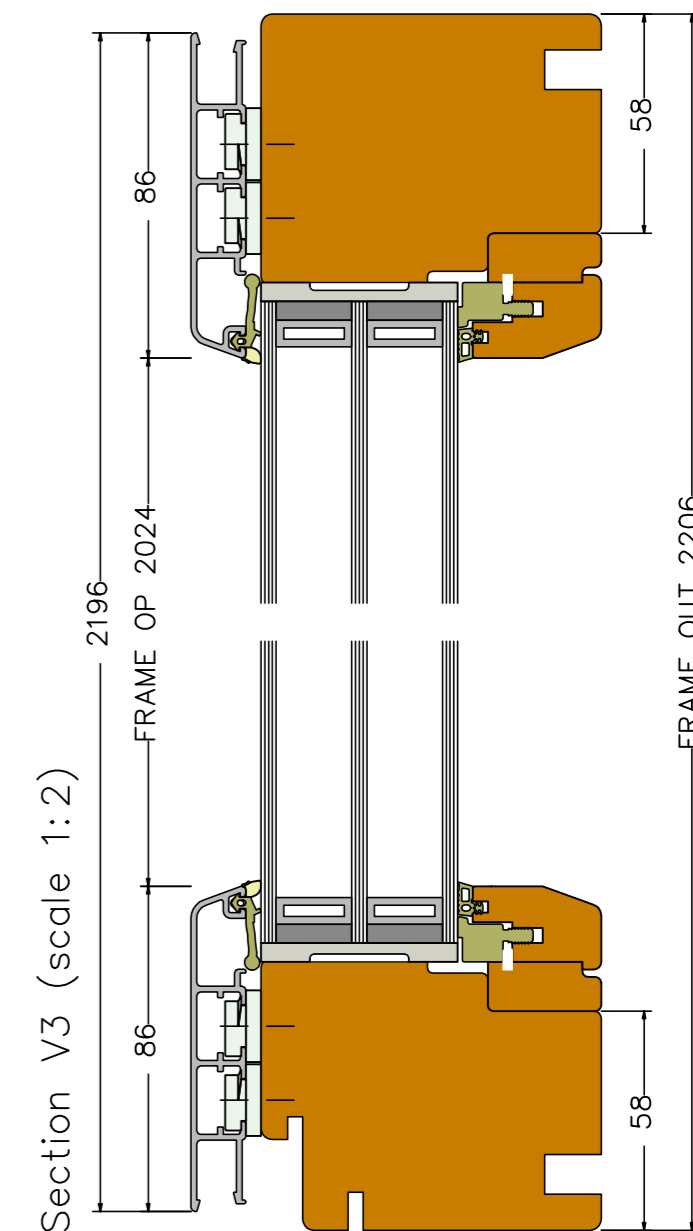
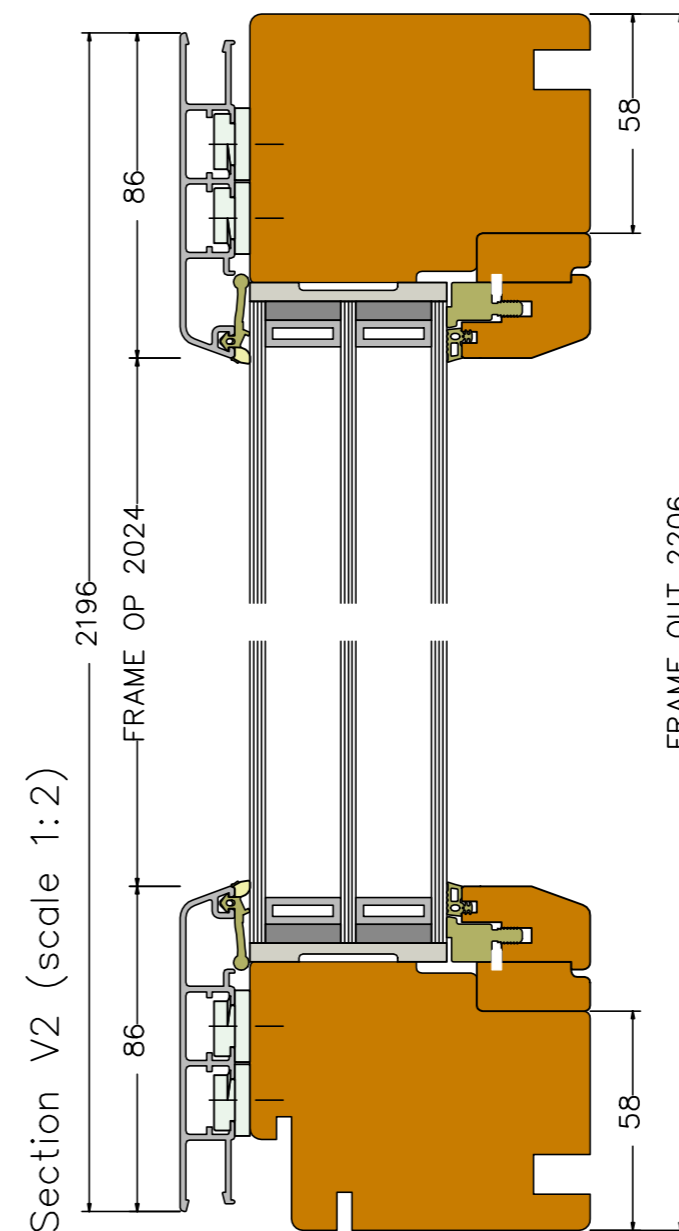
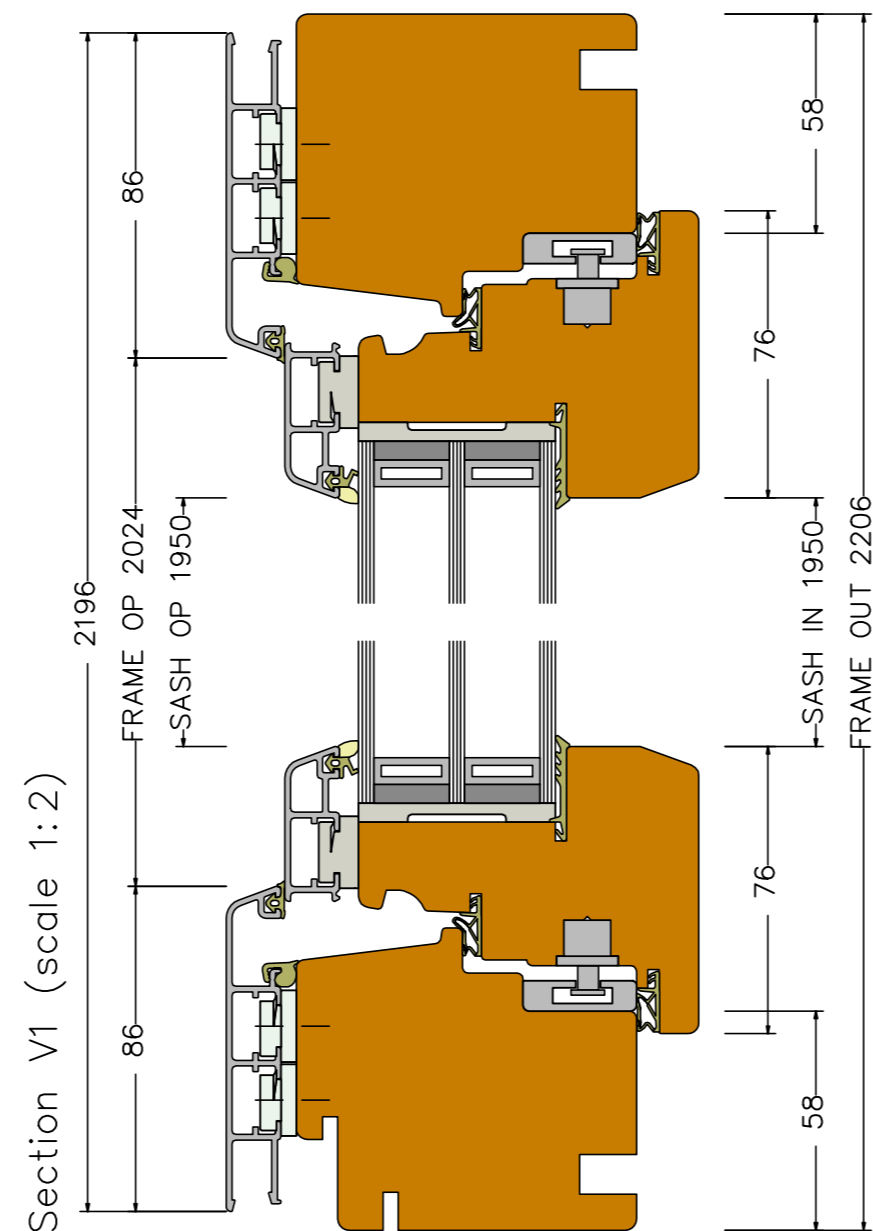
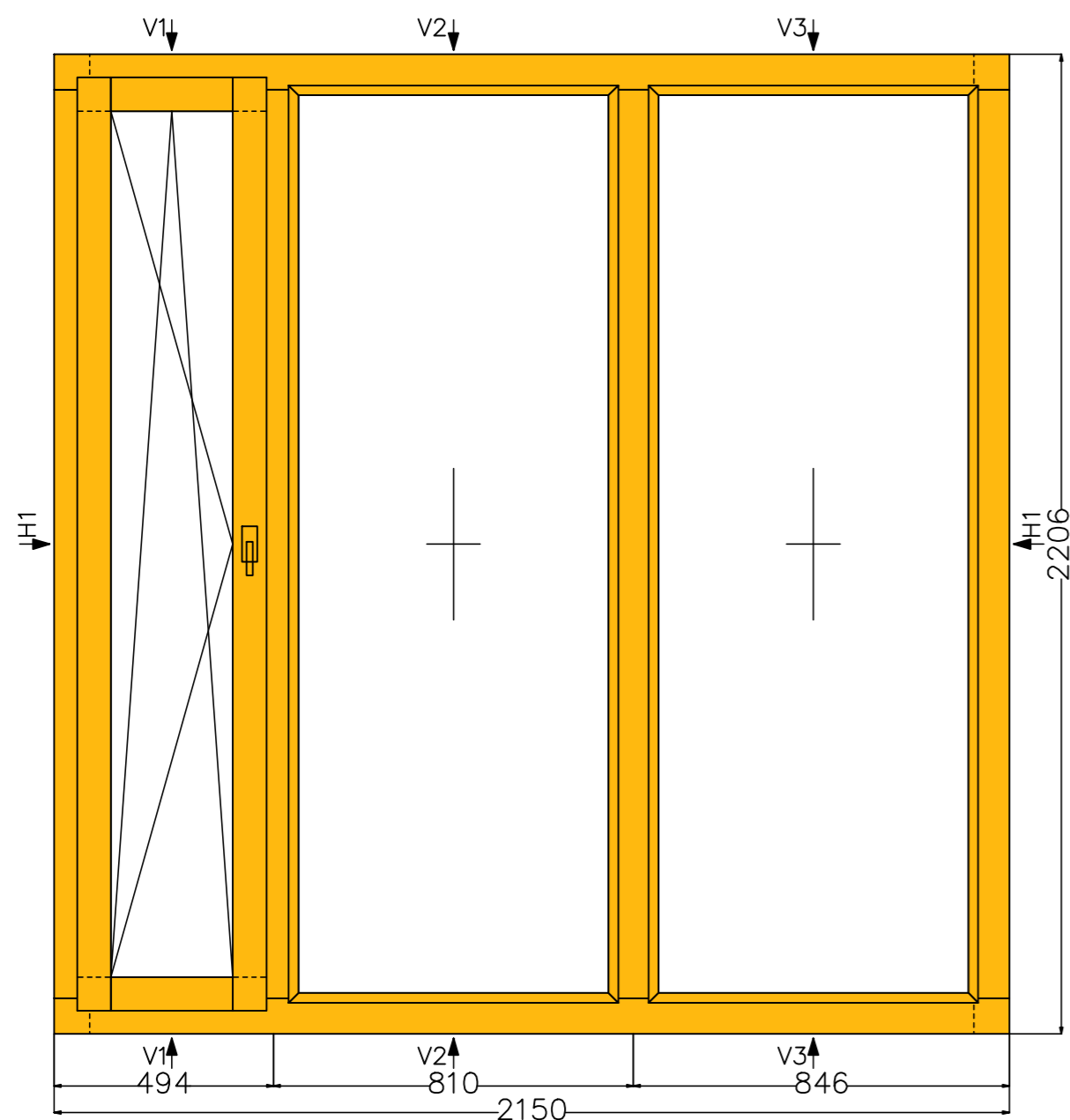


Section H1 (scale 1:2)

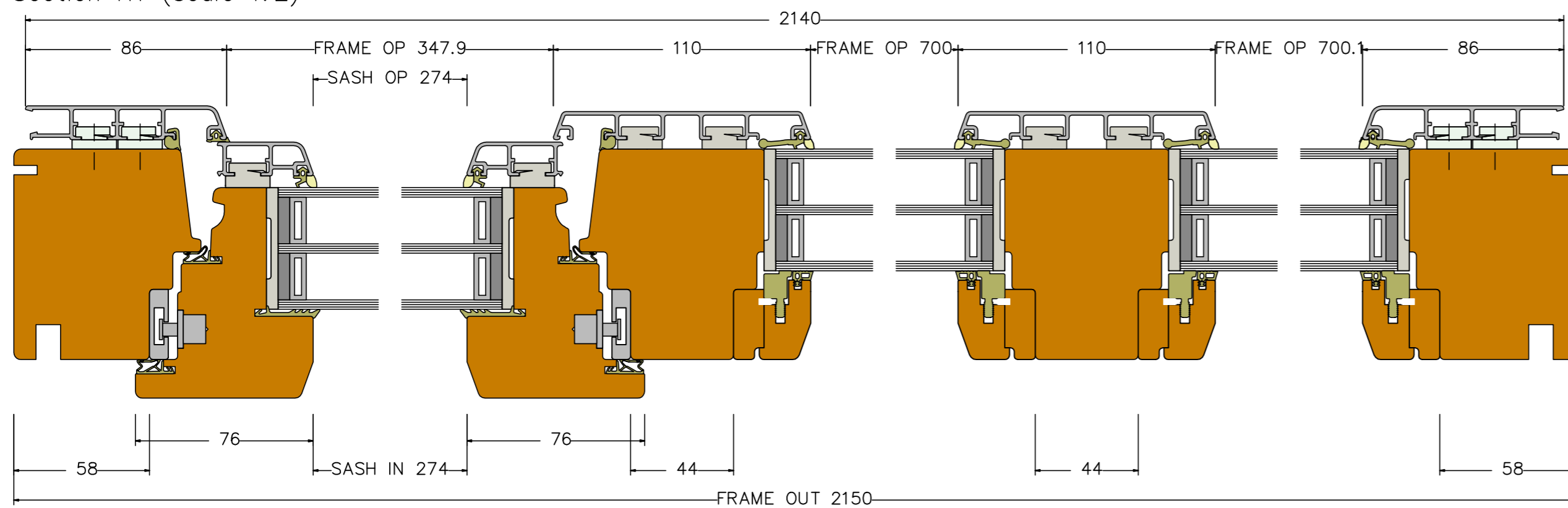


ThermaDura e-MOD Thermally Efficient Window/Door Modules	drawn	Date	Name
		30.05.2020	Rampe
Description: DesignLine e-MOD D-175 Timber-Aluminium Tilt & turn window			
<b>ThermaDura</b>	These drawings are protected by copyright and only to be used in conjunction with the supply of Thermadura products. This drawing is an instrument of service and is provided for informational use only. © 2019 Thermadura Ltd		

View from inside (scale 1:15)

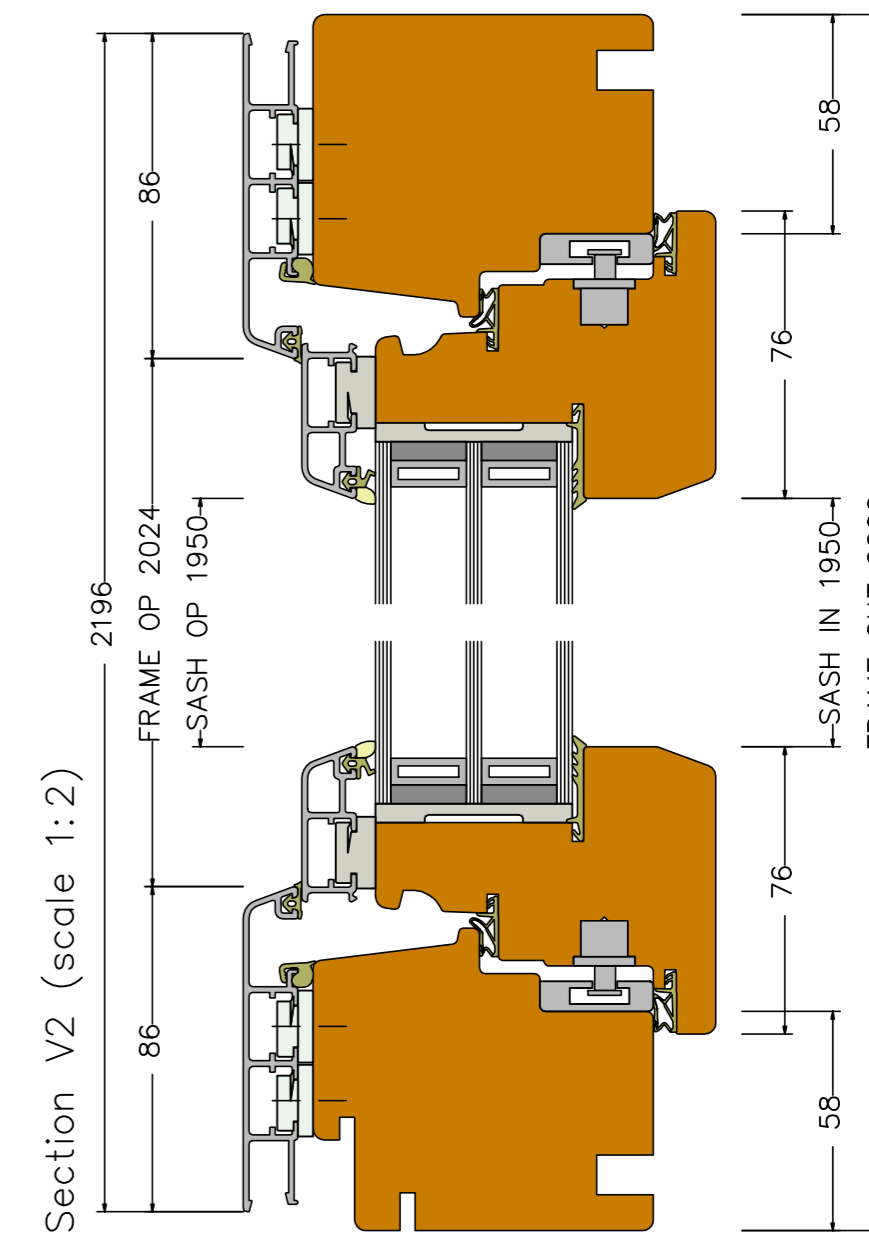
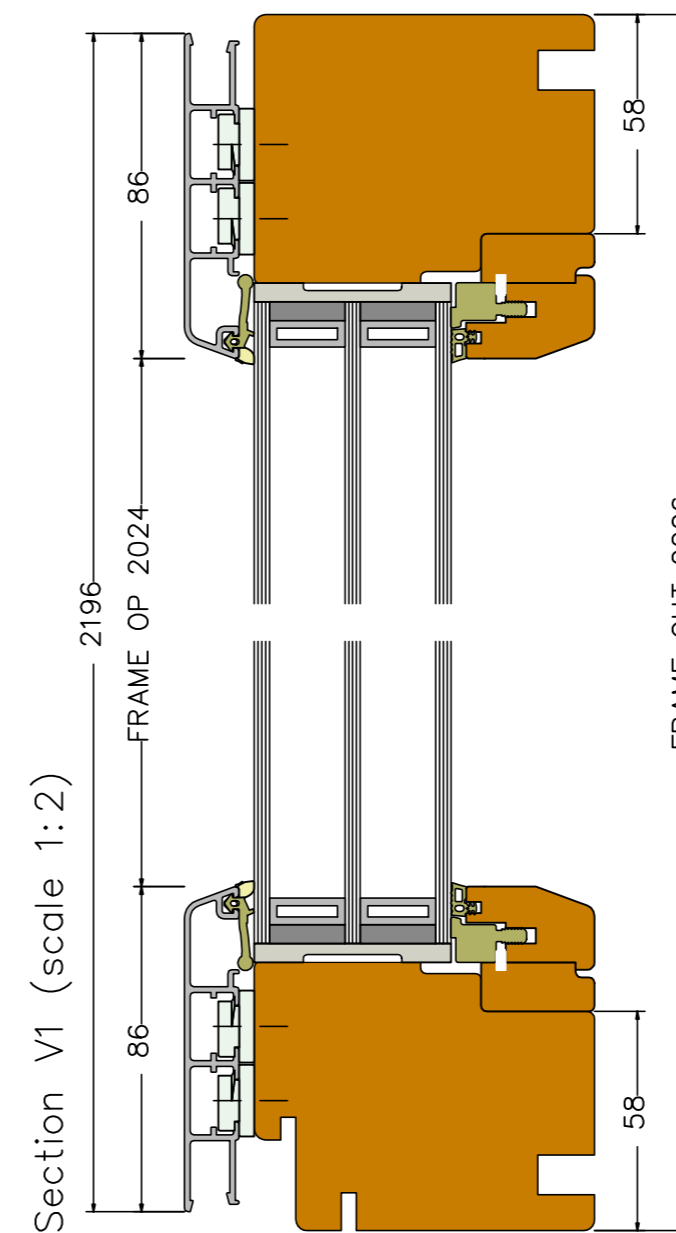
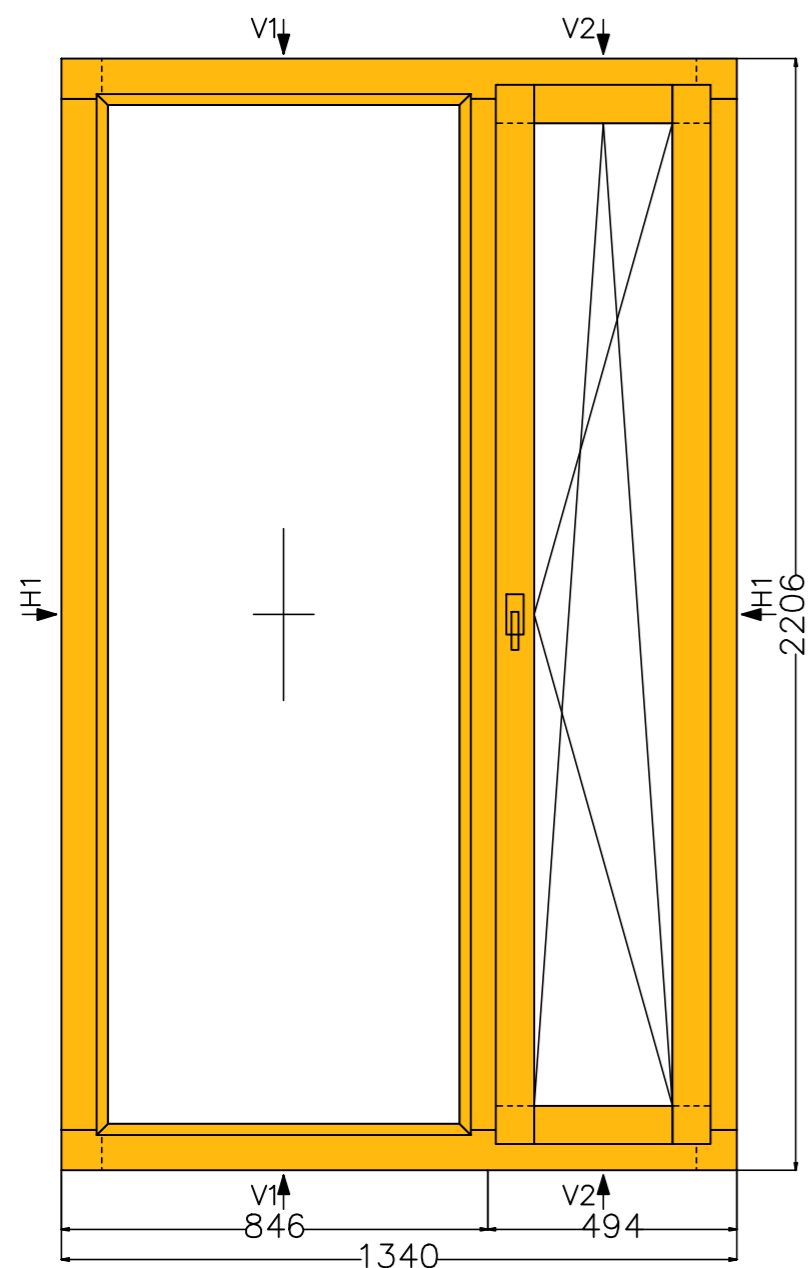


Section H1 (scale 1:2)

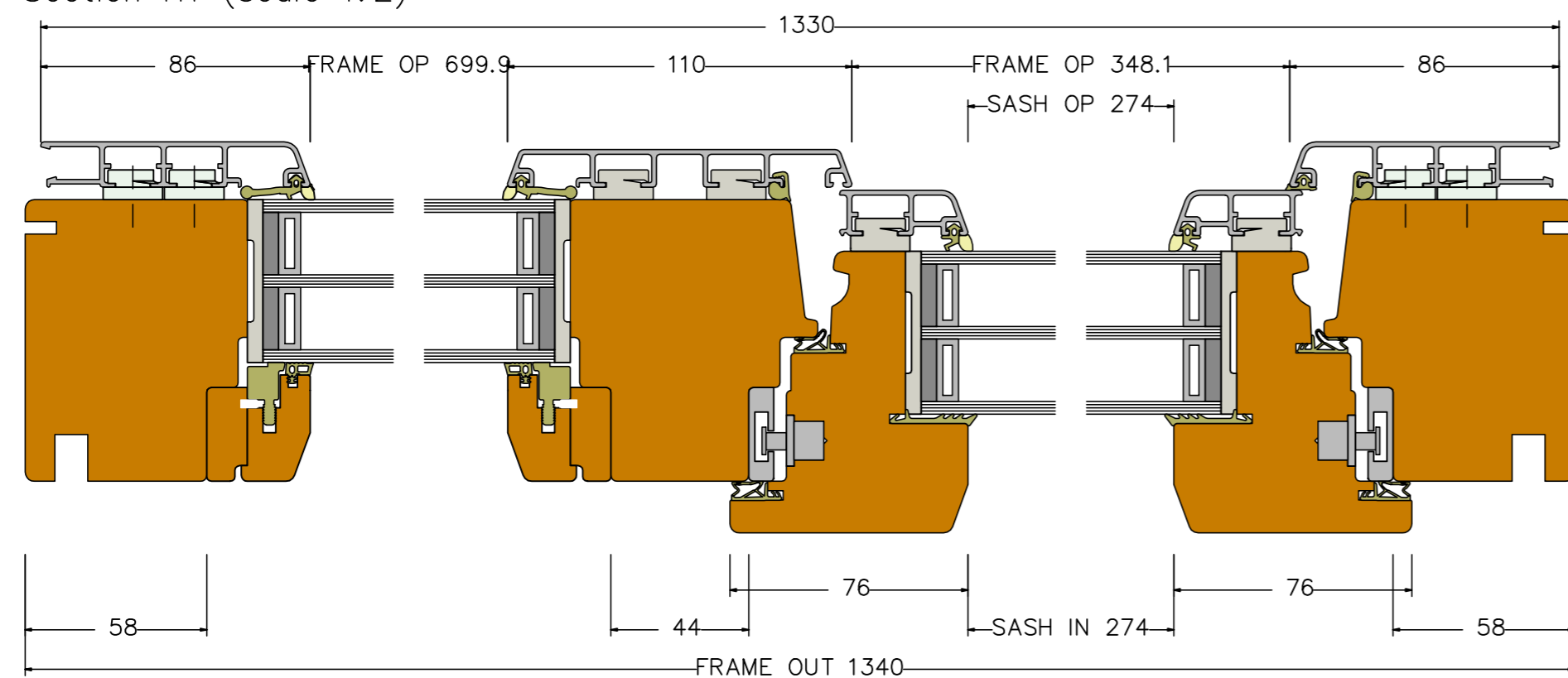


ThermaDura e-MOD Thermally Efficient Window/Door Modules	drawn	Date	Name
		30.05.2020	Rampe
Description: DesignLine e-MOD D-176 Timber-Aluminium Tilt & turn window			
		These drawings are protected by copyright and only to be used in conjunction with the supply of ThermaDura products. This drawing is an instrument of service and is provided for informational use only. © 2019 ThermaDura Ltd	

View from inside (scale 1:15)



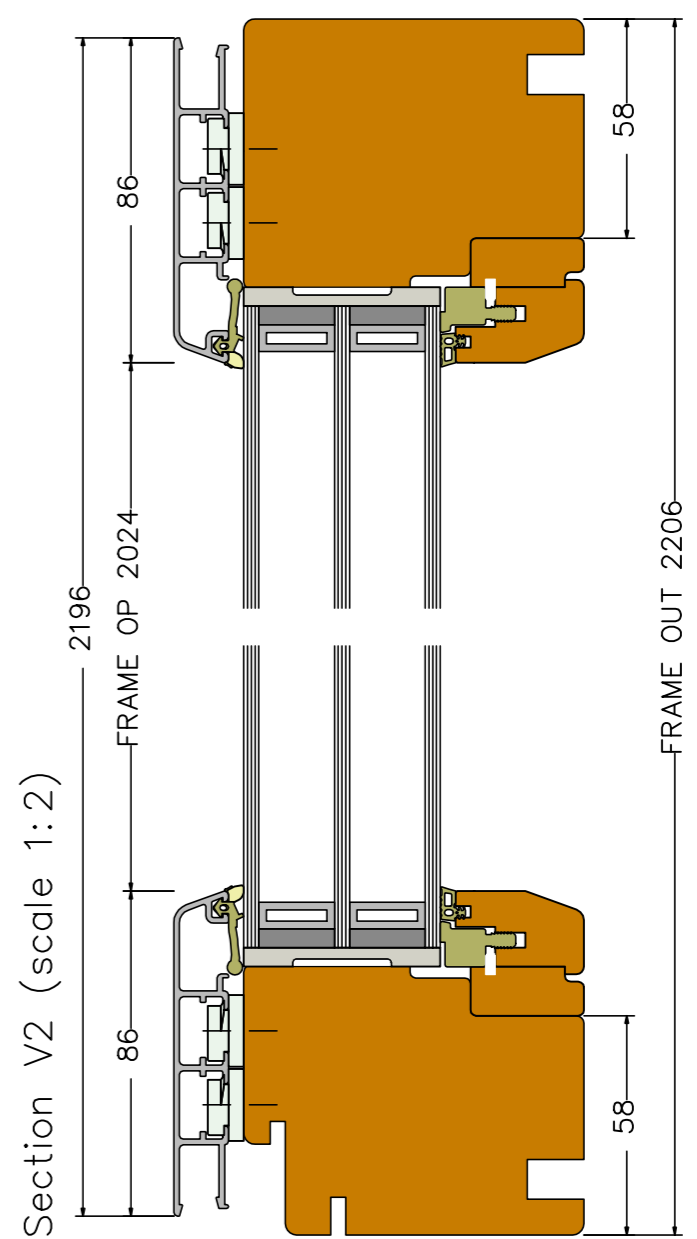
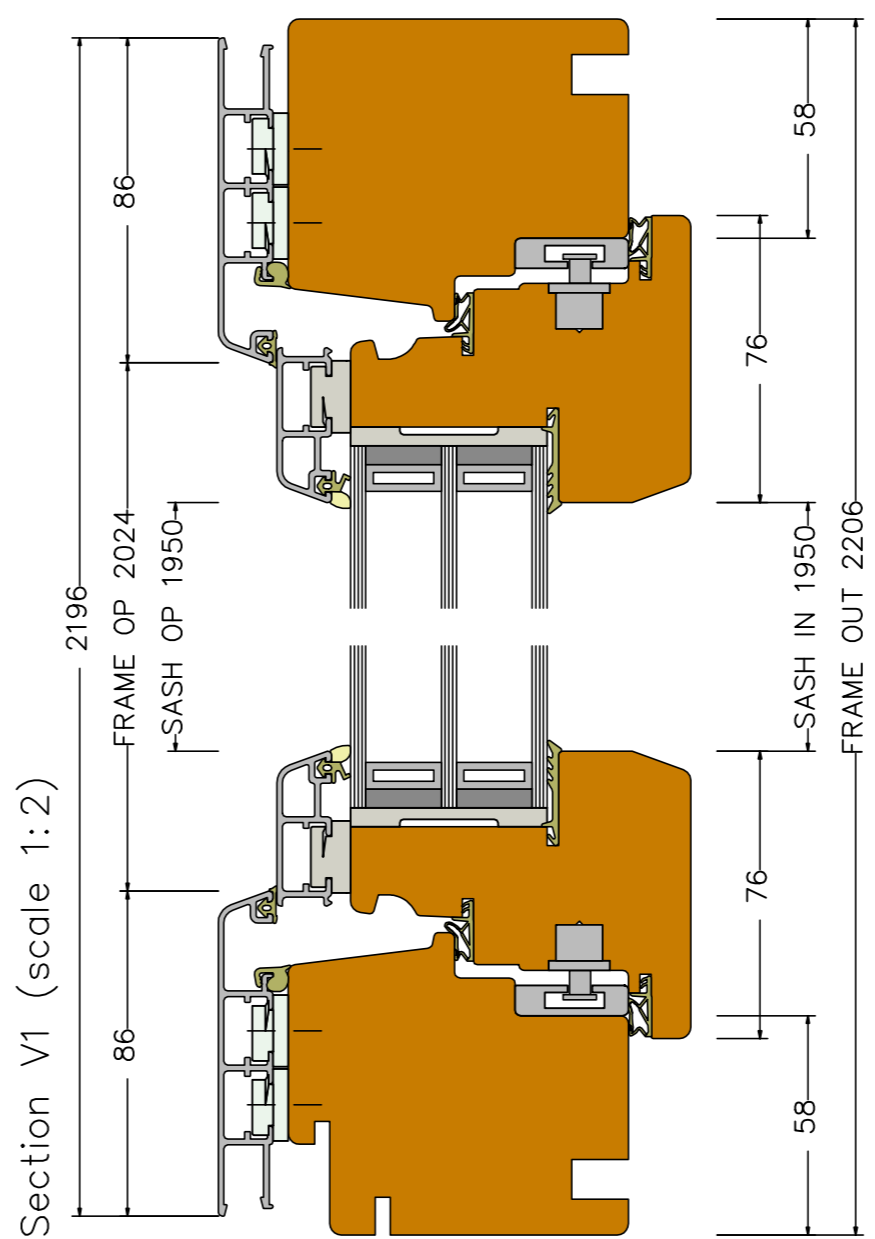
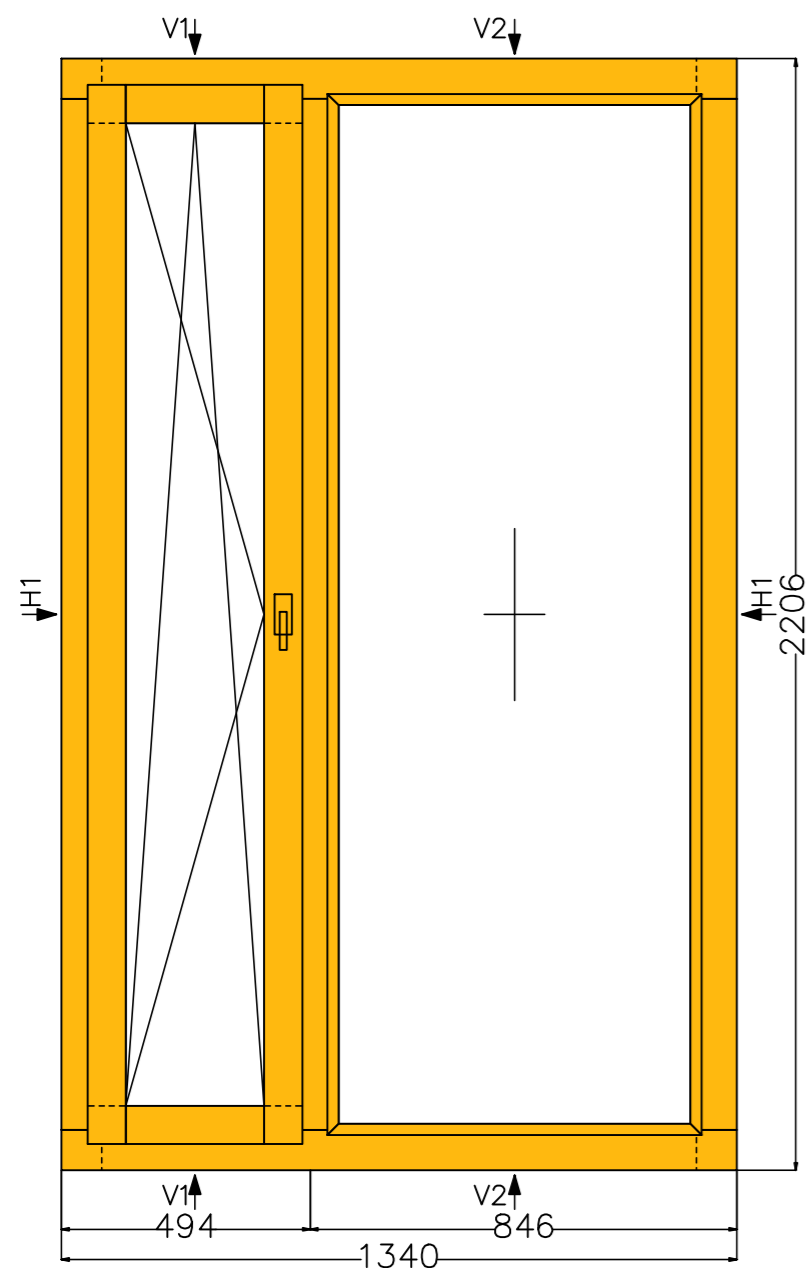
Section H1 (scale 1:2)



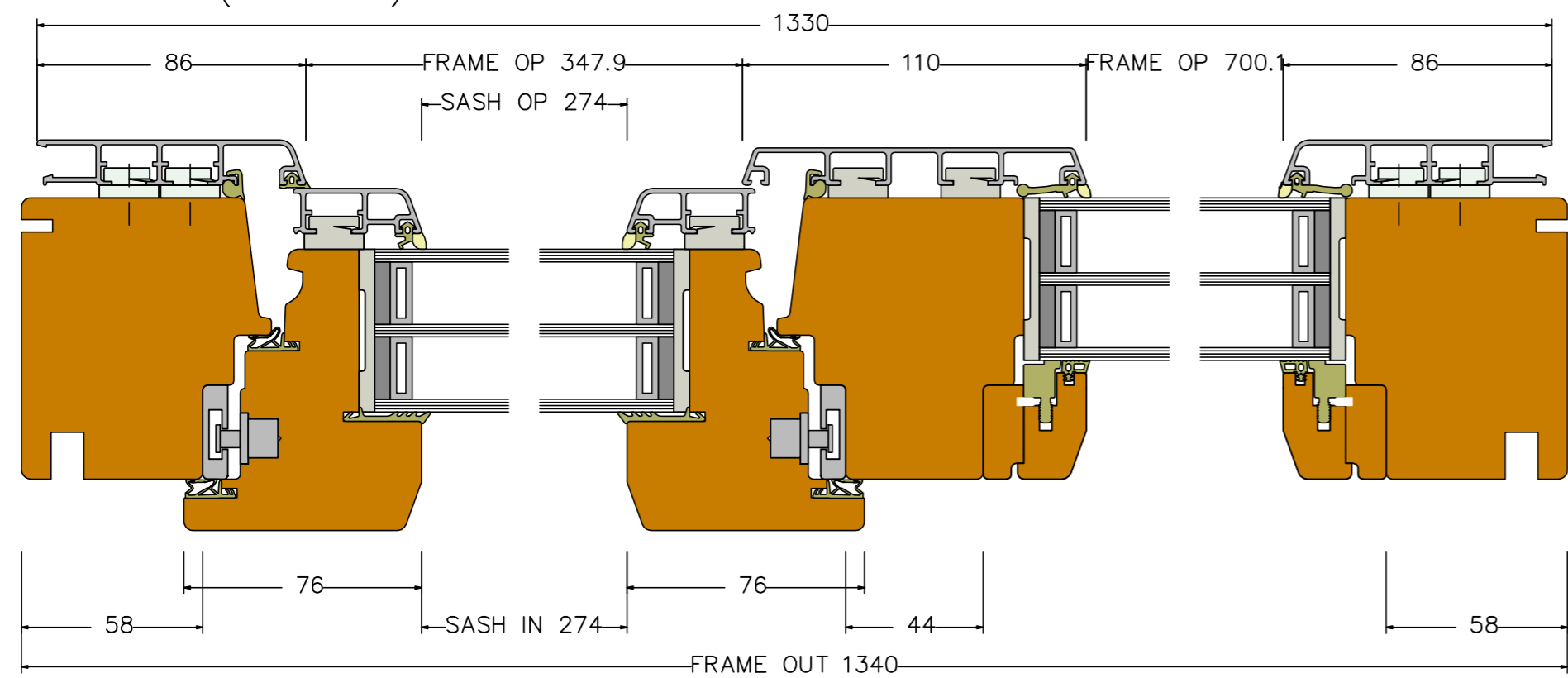
ThermaDura e-MOD Thermally Efficient Window/Door Modules	drawn	Date	Name
		30.05.2020	Rampe
Description: DesignLine e-MOD D-177 Timber-Aluminium Tilt-turn window			
<b>ThermaDura</b>	These drawings are protected by copyright and only to be used in conjunction with the supply of ThermaDura products. This drawing is an instrument of service and is provided for informational use only. © 2019 ThermaDura Ltd		



View from inside (scale 1:15)

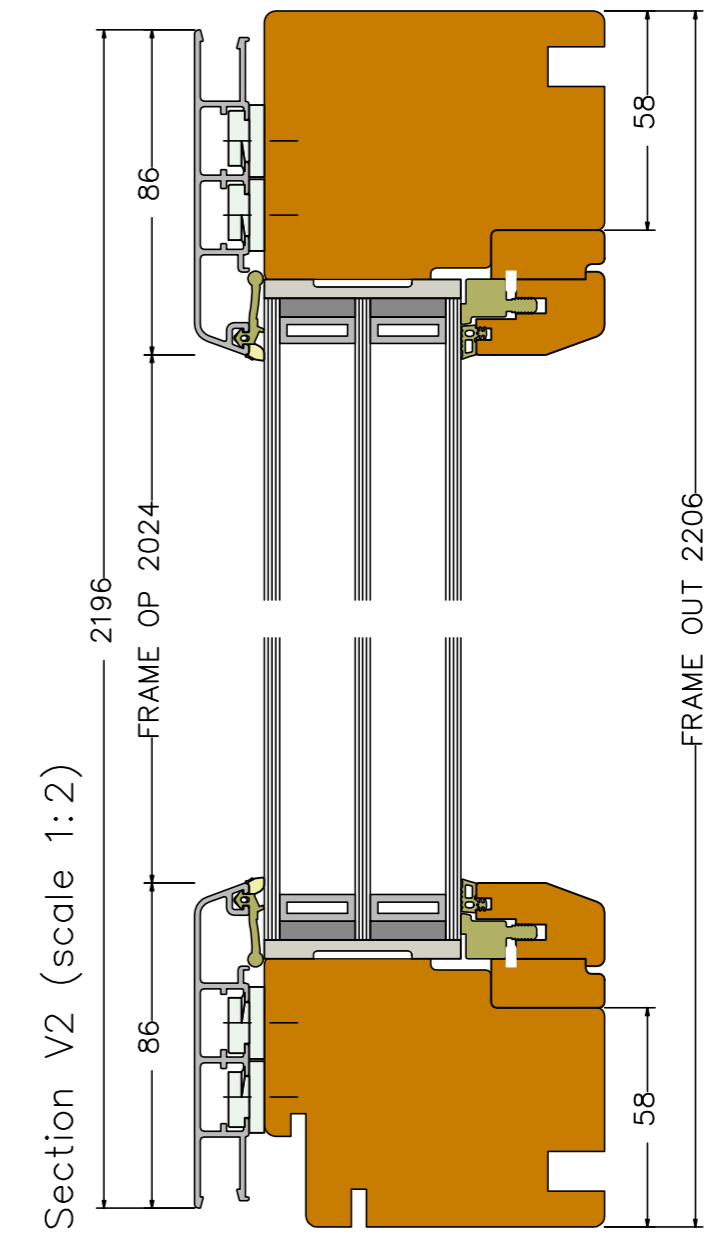
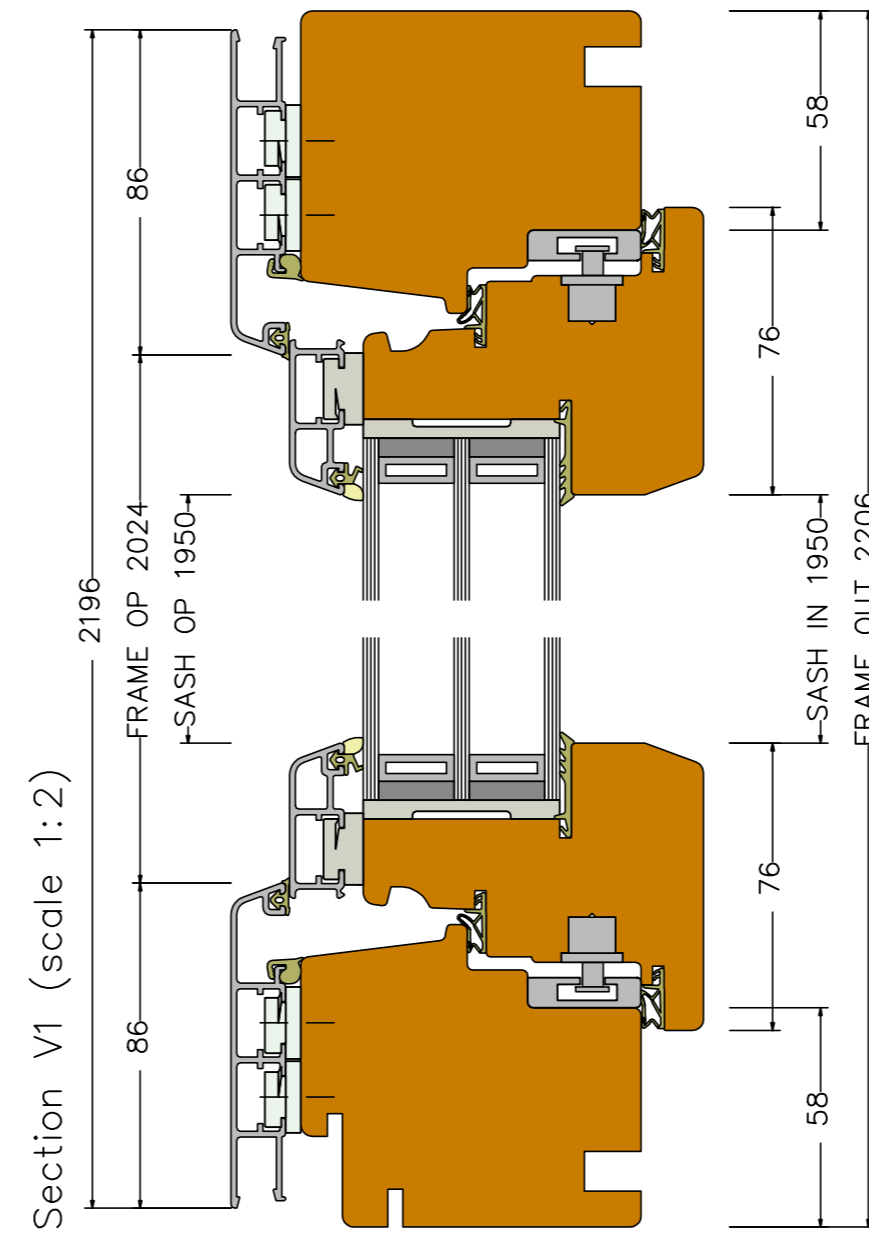
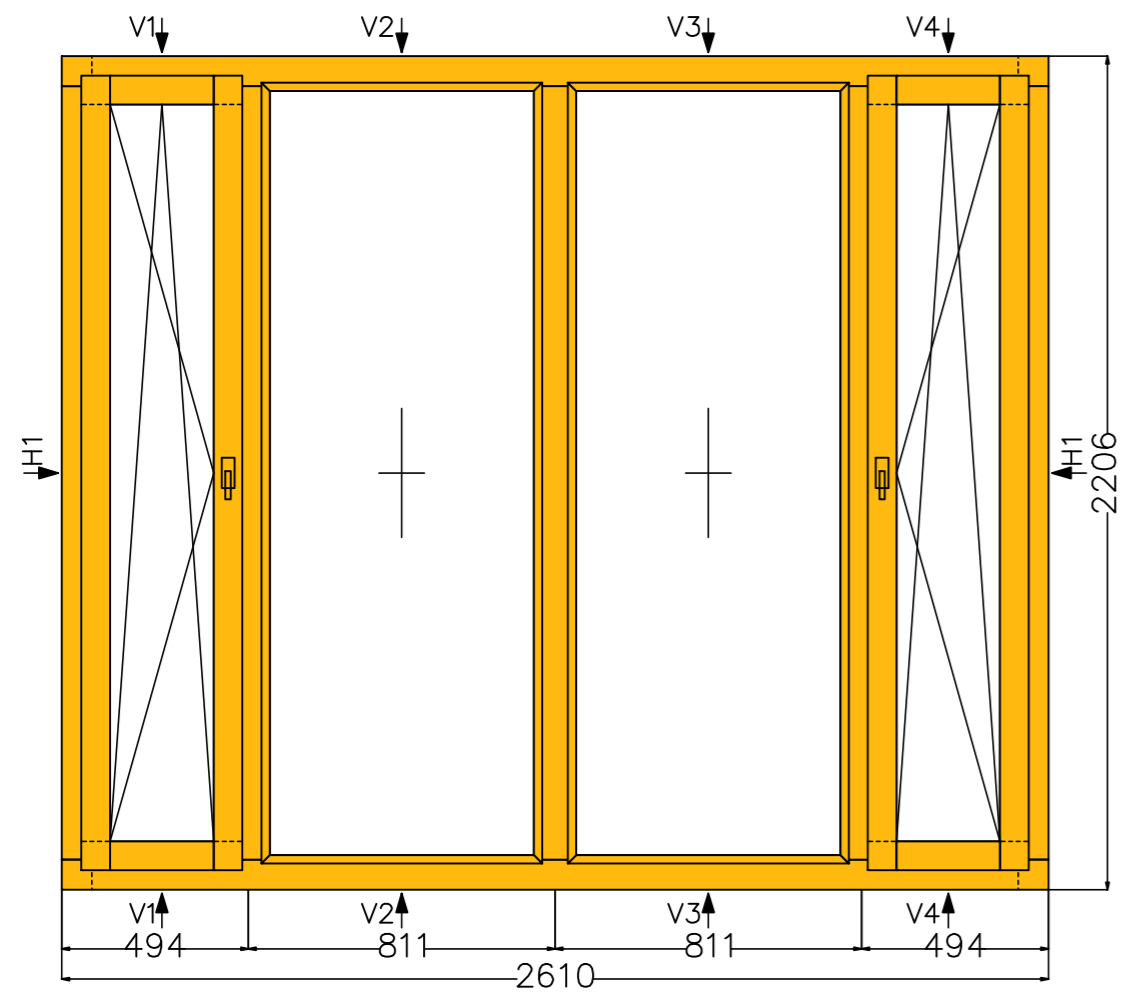


Section H1 (scale 1:2)

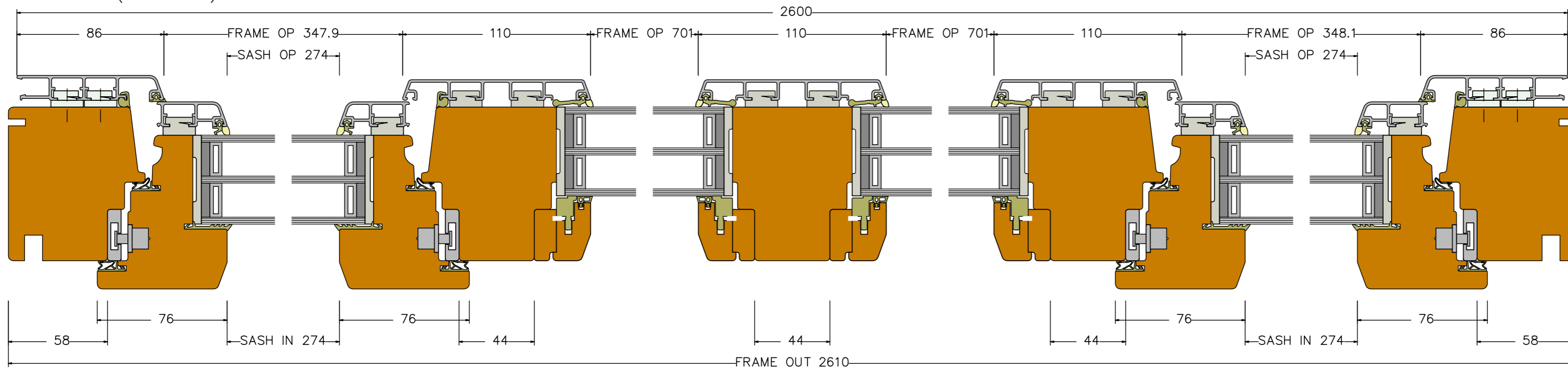


ThermaDura e-MOD Thermally Efficient Window/Door Modules	drawn	Date	Name
		30.05.2020	Rampe
Description: DesignLine e-MOD D-178 Timber-Aluminium Tilt & turn window			
<b>ThermaDura</b>	These drawings are protected by copyright and only to be used in conjunction with the supply of Thermadura products. This drawing is an instrument of service and is provided for informational use only. © 2019 ThermaDura Ltd		

View from inside (scale 1:20)



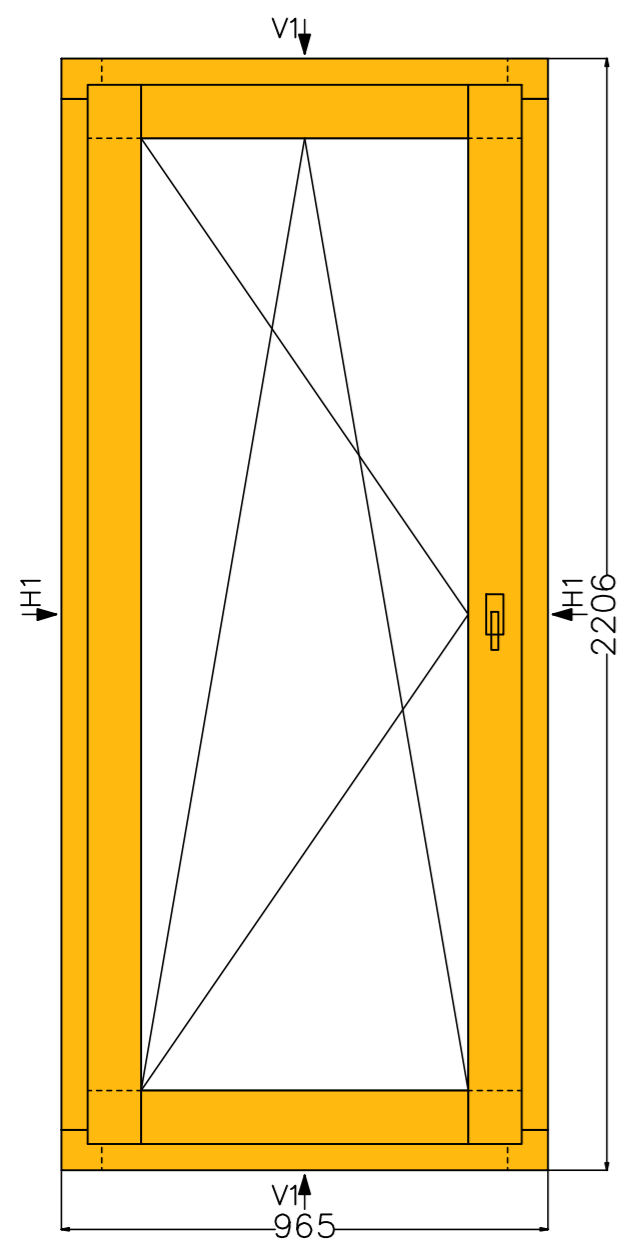
Section H1 (scale 1:2)



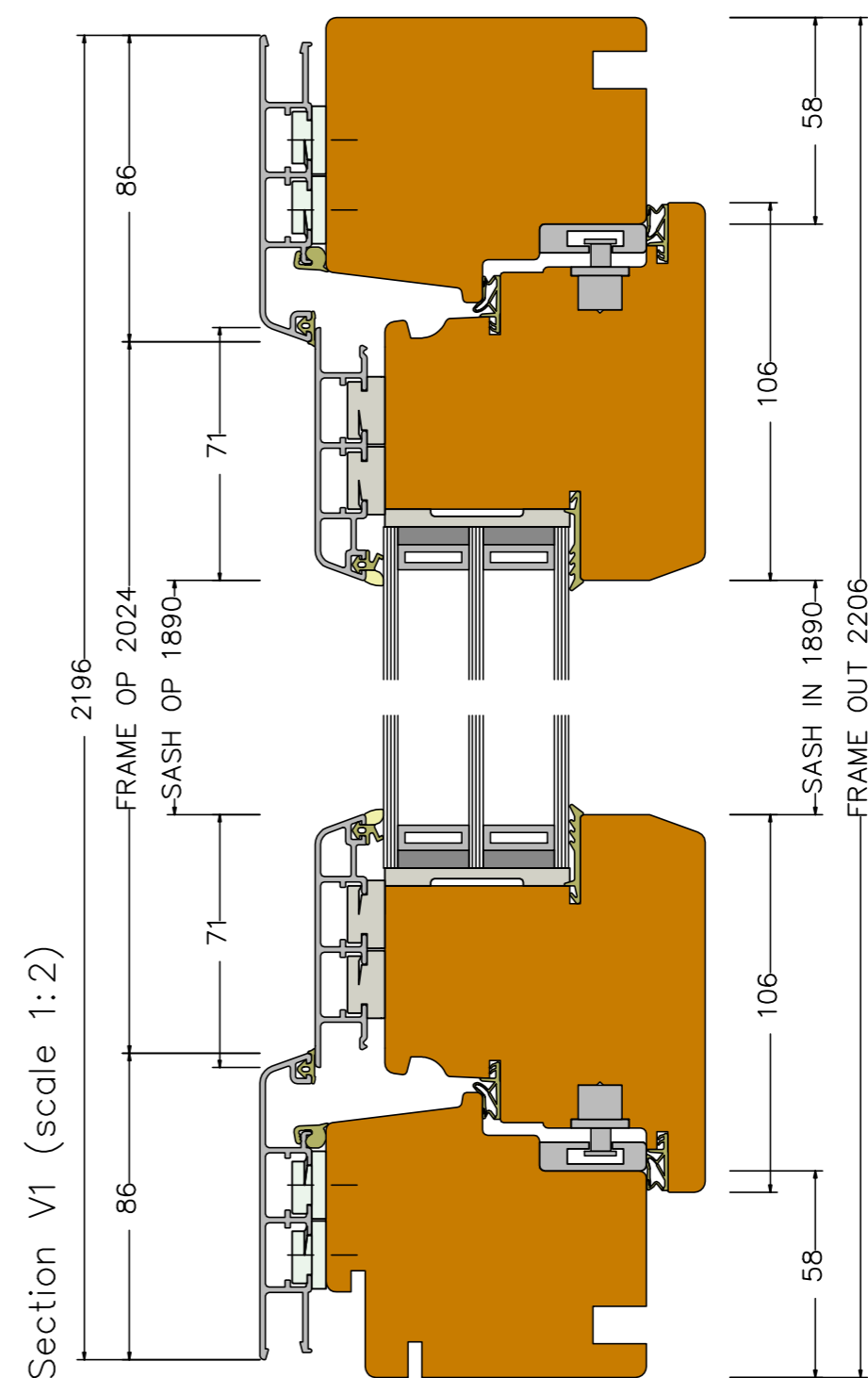
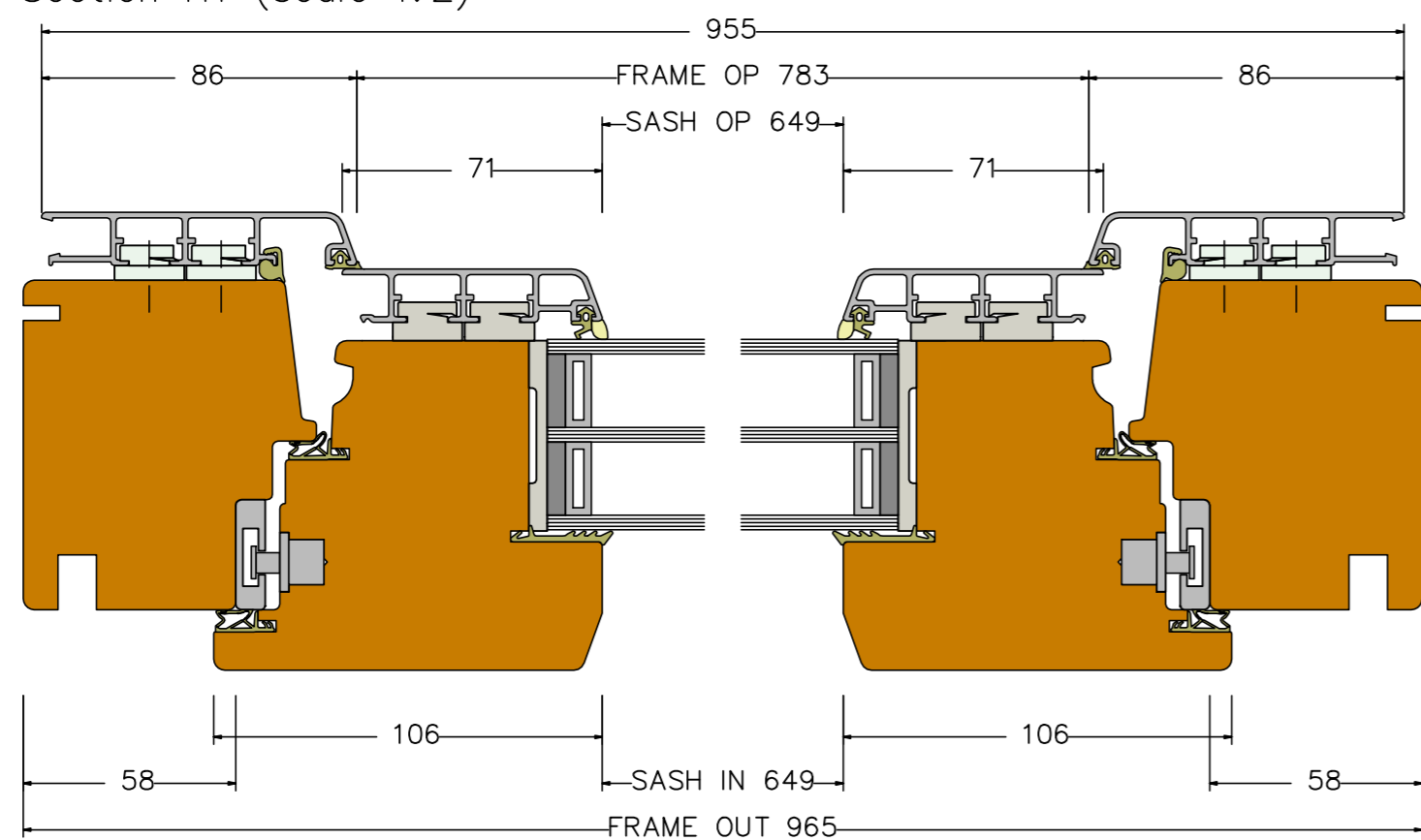
ThermaDura e-MOD Thermally Efficient Window/Door Modules	drawn	Date	Name
		31.05.2020	Rampe
Description: DesignLine e-MOD D-179 Timber-Aluminium Tilt & turn window			

**ThermaDura** These drawings are protected by copyright and only to be used in conjunction with the supply of ThermaDura products. This drawing is an instrument of service and is provided for informational use only.  
© 2019 ThermaDura Ltd

View from inside (scale 1:15)

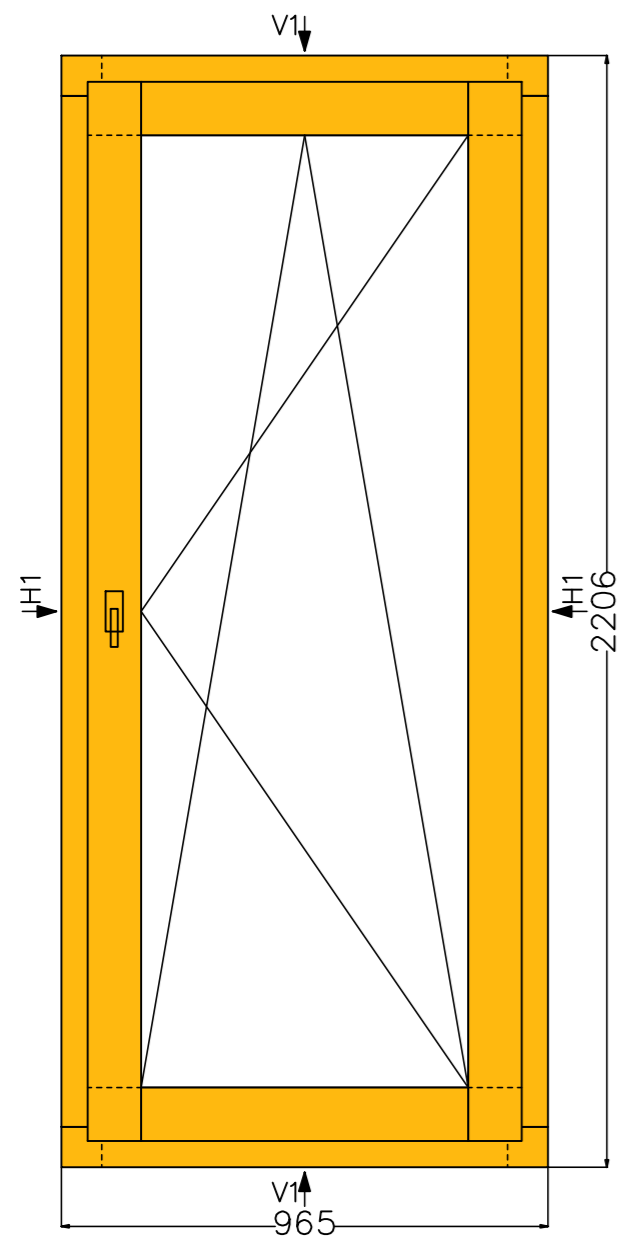


Section H1 (scale 1:2)

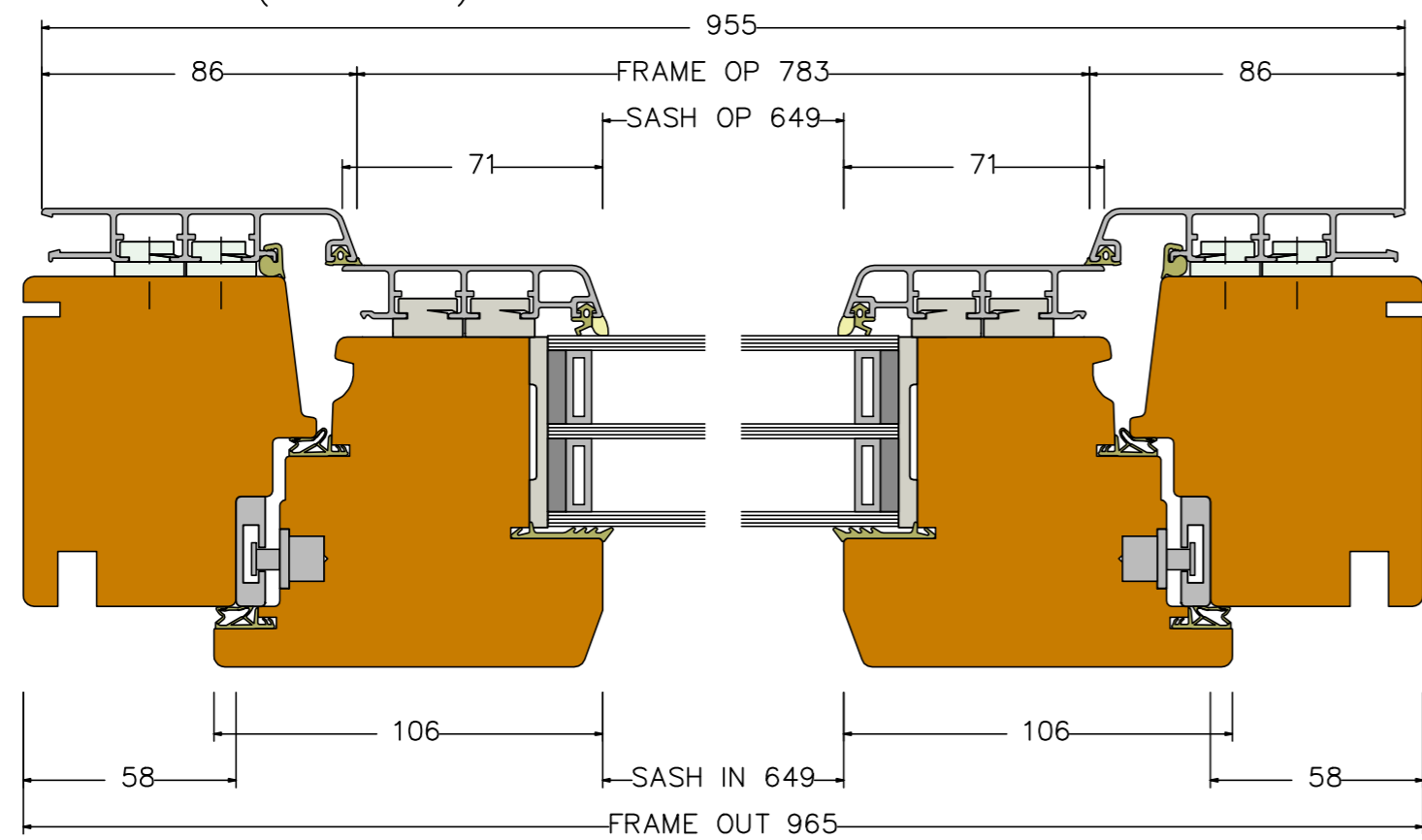


ThermaDura e-MOD Thermally Efficient Window/Door Modules	drawn	Date	Name
		30.05.2020	Rampe
Description: DesignLine e-MOD D-201 Timber-Aluminium Tilt & turn door			
<b>ThermaDura</b>	These drawings are protected by copyright and only to be used in conjunction with the supply of Thermadura products. This drawing is an instrument of service and is provided for informational use only. © 2019 Thermadura Ltd		

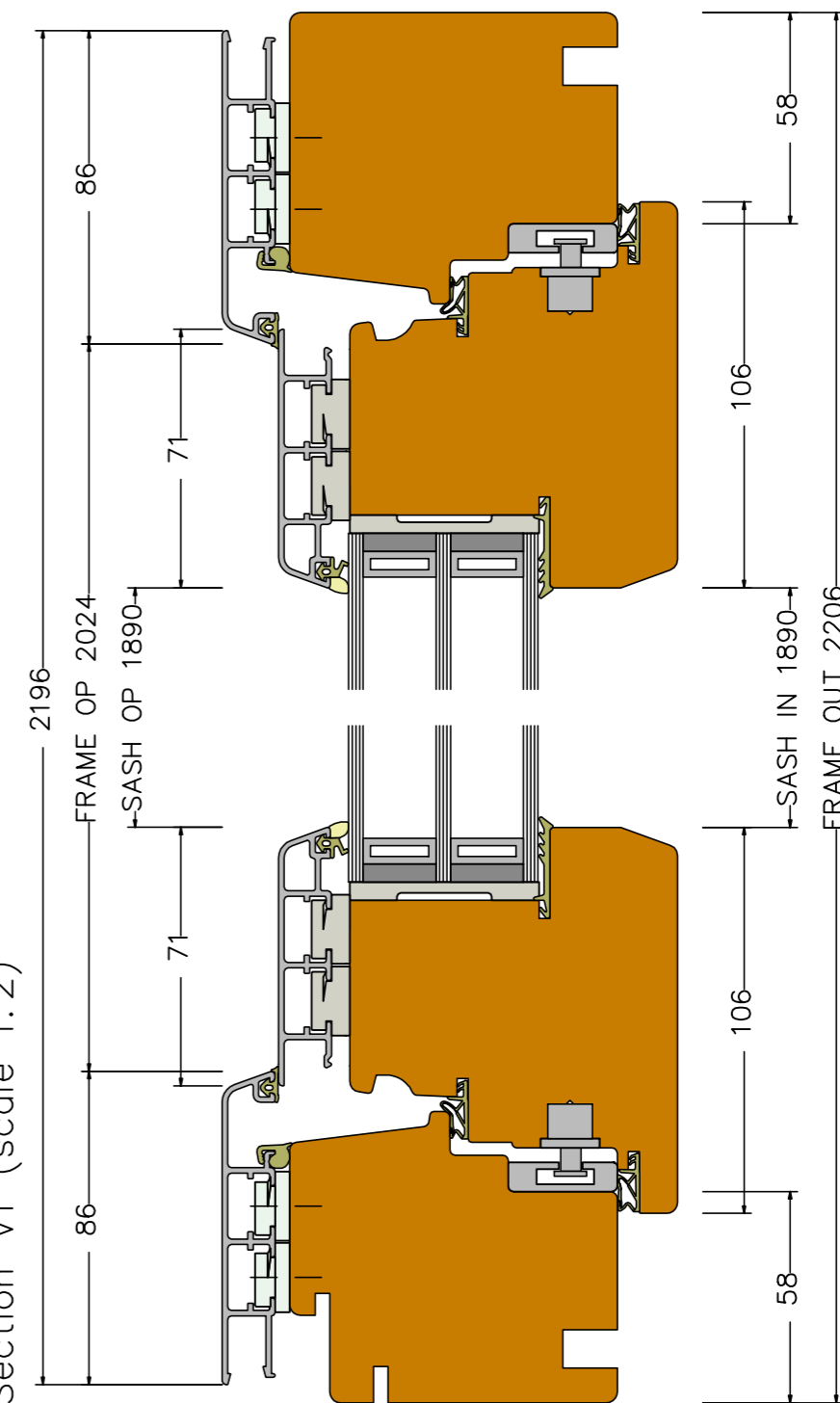
View from inside (scale 1:15)



Section H1 (scale 1:2)

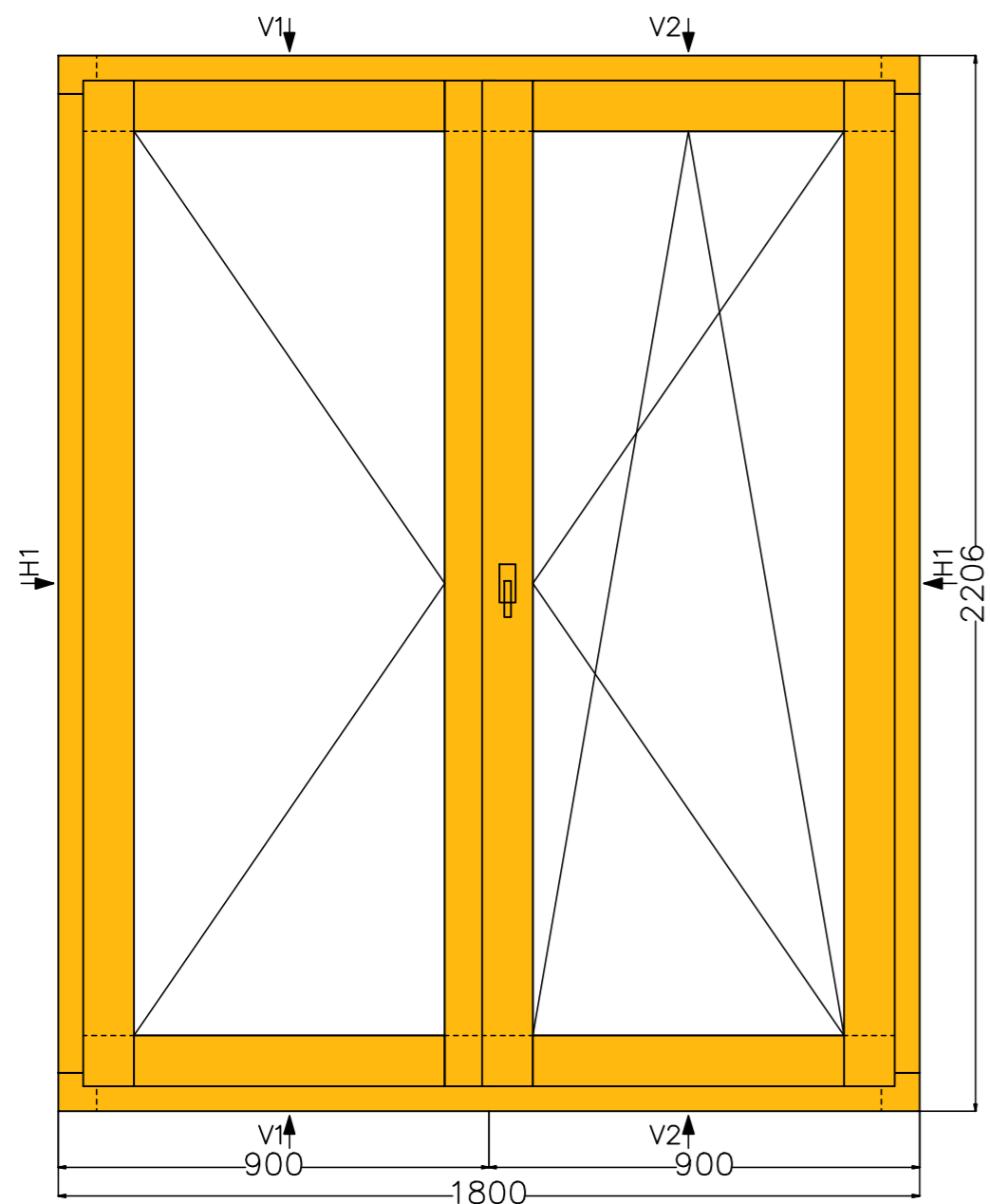


Section V1 (scale 1:2)

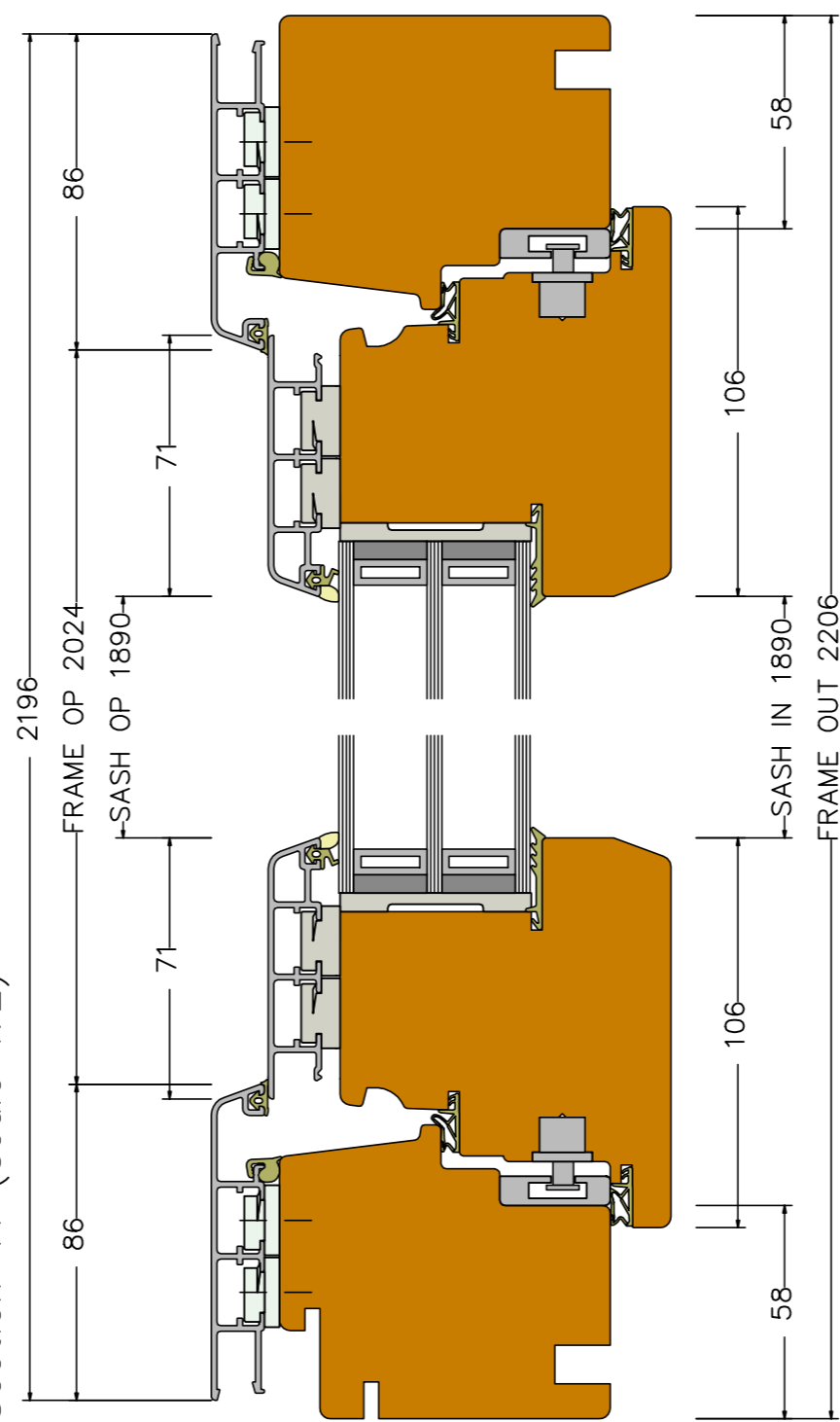


ThermaDura e-MOD Thermally Efficient Window/Door Modules	drawn	Date	Name
		30.05.2020	Rampe
Description: DesignLine e-MOD D-202 Timber-Aluminium Tilt & turn door			
<b>ThermaDura</b>	These drawings are protected by copyright and only to be used in conjunction with the supply of Thermadura products. This drawing is an instrument of service and is provided for informational use only. © 2019 ThermaDura Ltd		

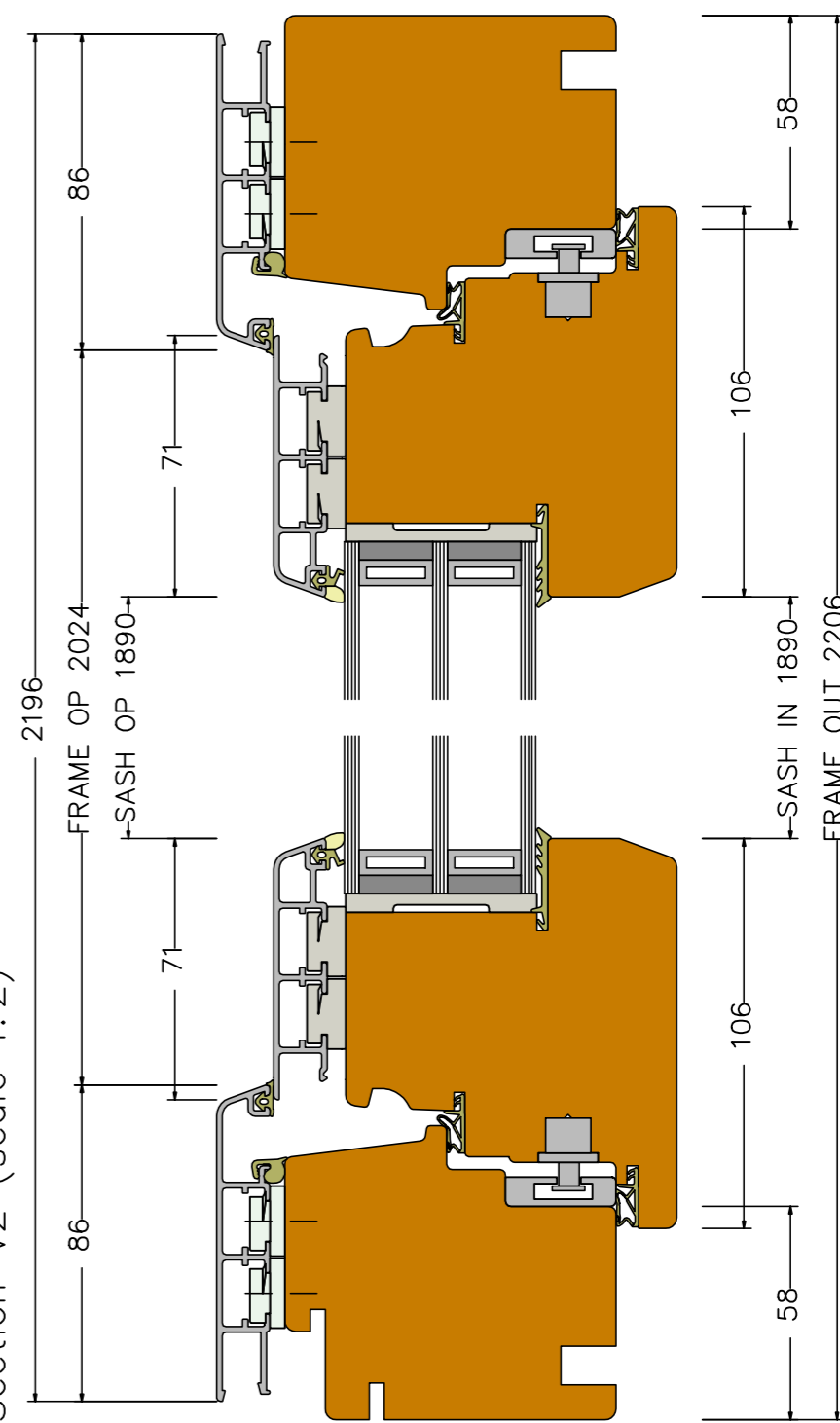
View from inside (scale 1:15)



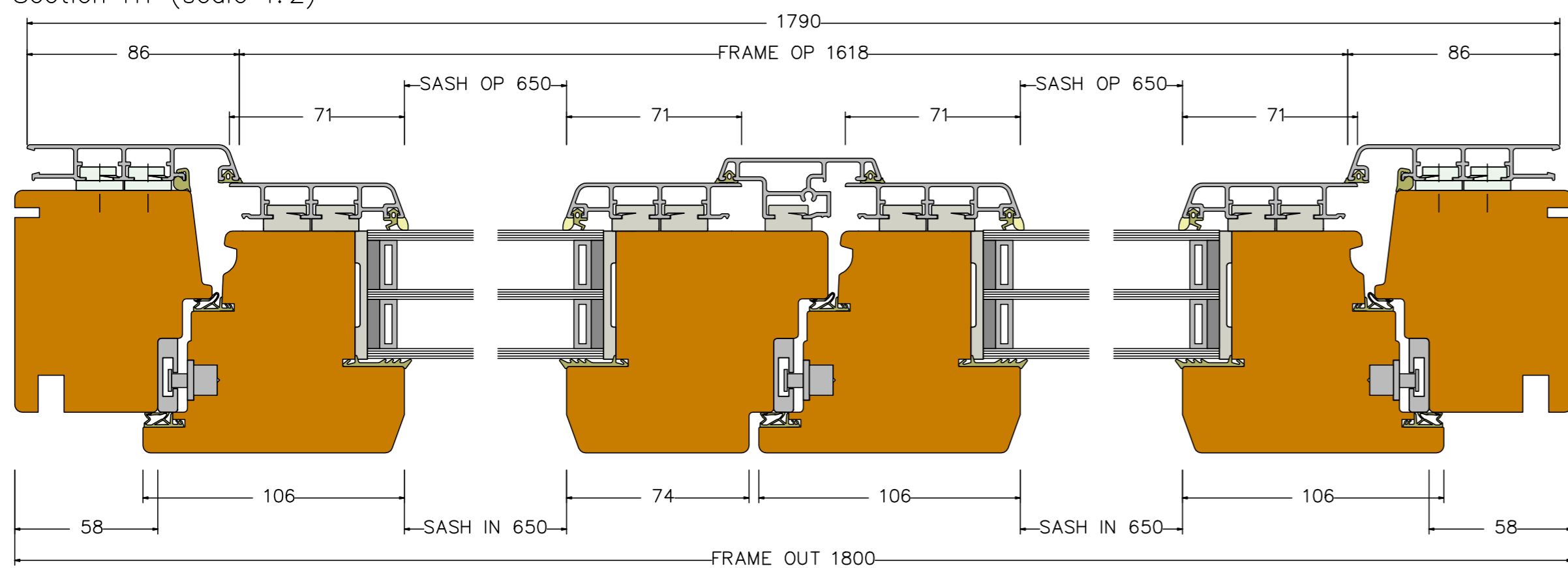
Section V1 (scale 1:2)



Section V2 (scale 1:2)

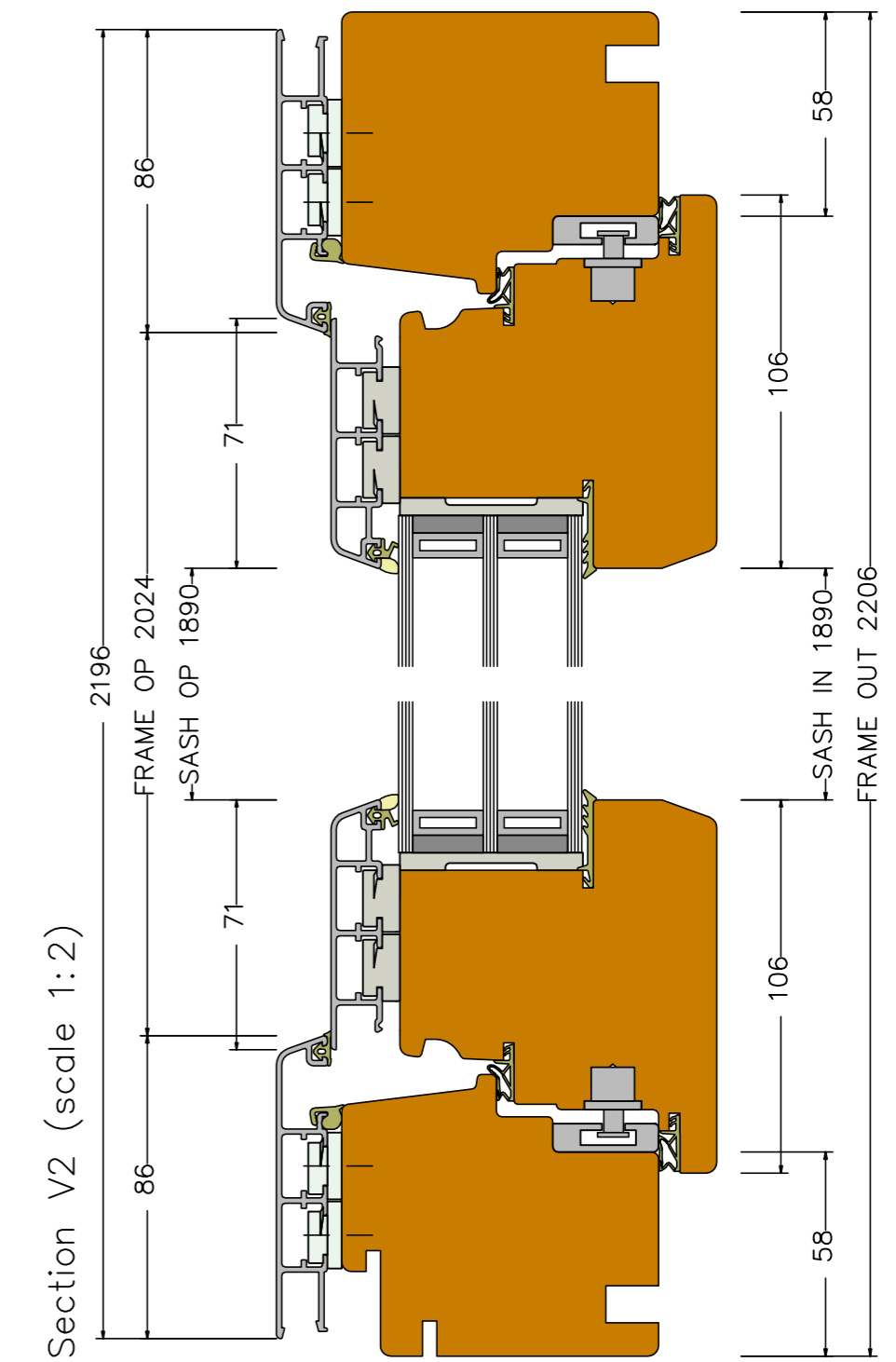
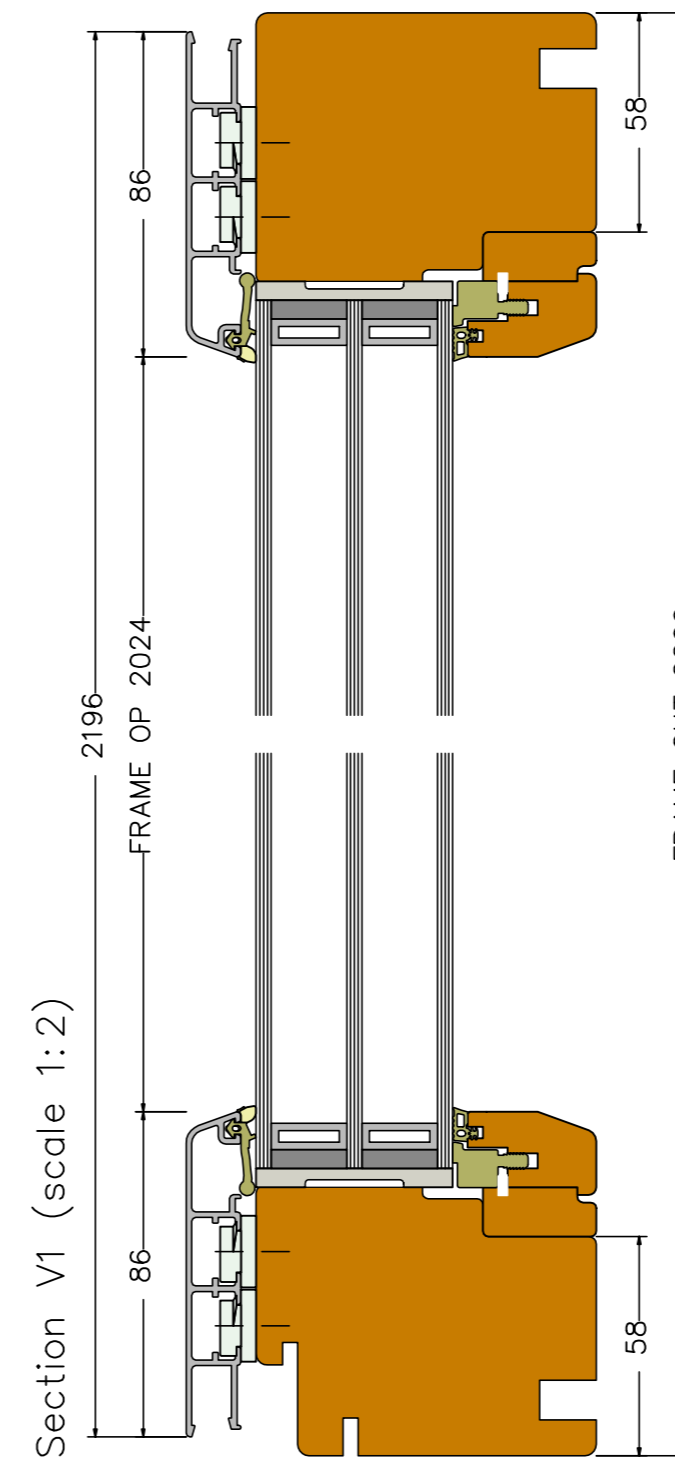
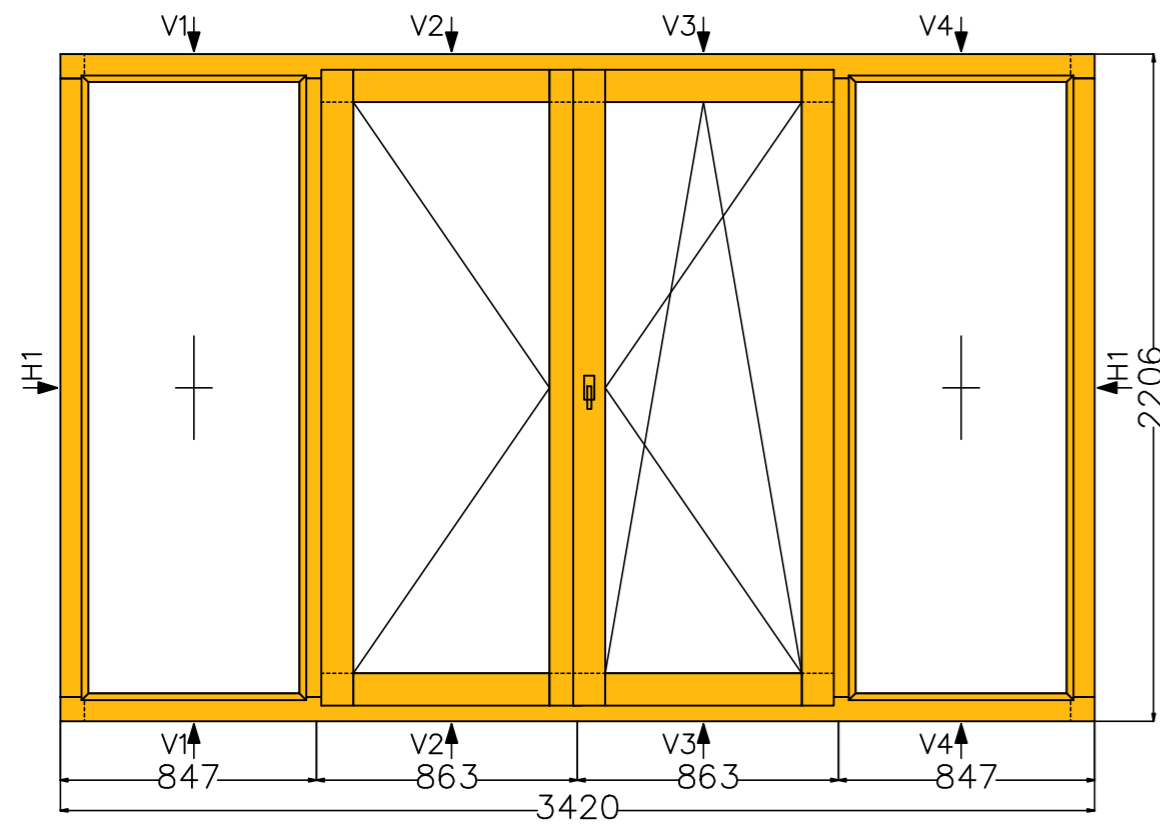


Section H1 (scale 1:2)

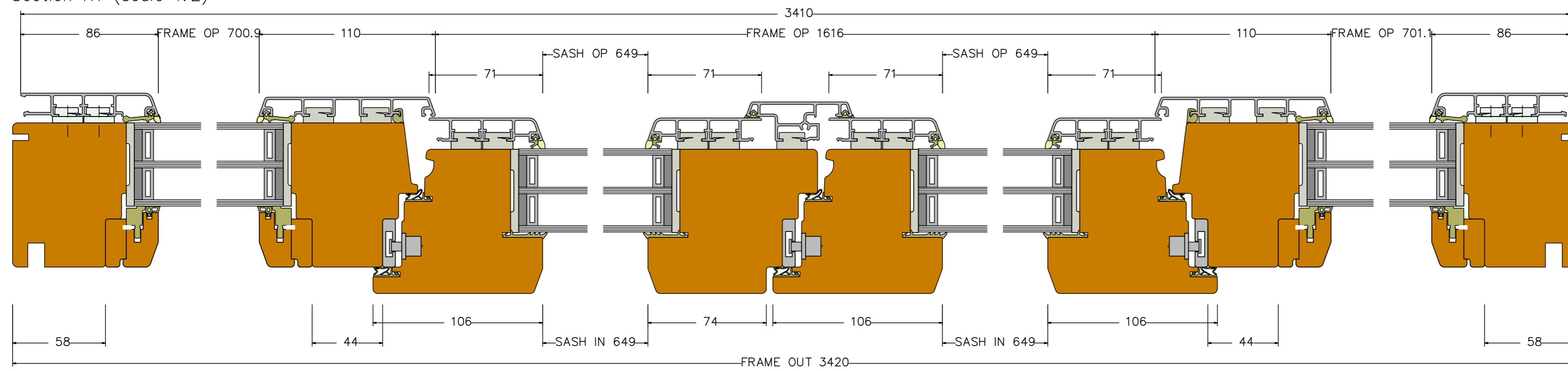


ThermaDura e-MOD Thermally Efficient Window/Door Modules	drawn	Date	Name
		30.05.2020	Rampe
Description: DesignLine e-MOD D-203 Timber-Aluminium Tilt & turn door			
<b>ThermaDura</b>	These drawings are protected by copyright and only to be used in conjunction with the supply of Thermadura products. This drawing is an instrument of service and is provided for informational use only. © 2019 Thermadura Ltd		

View from inside (scale 1:25)



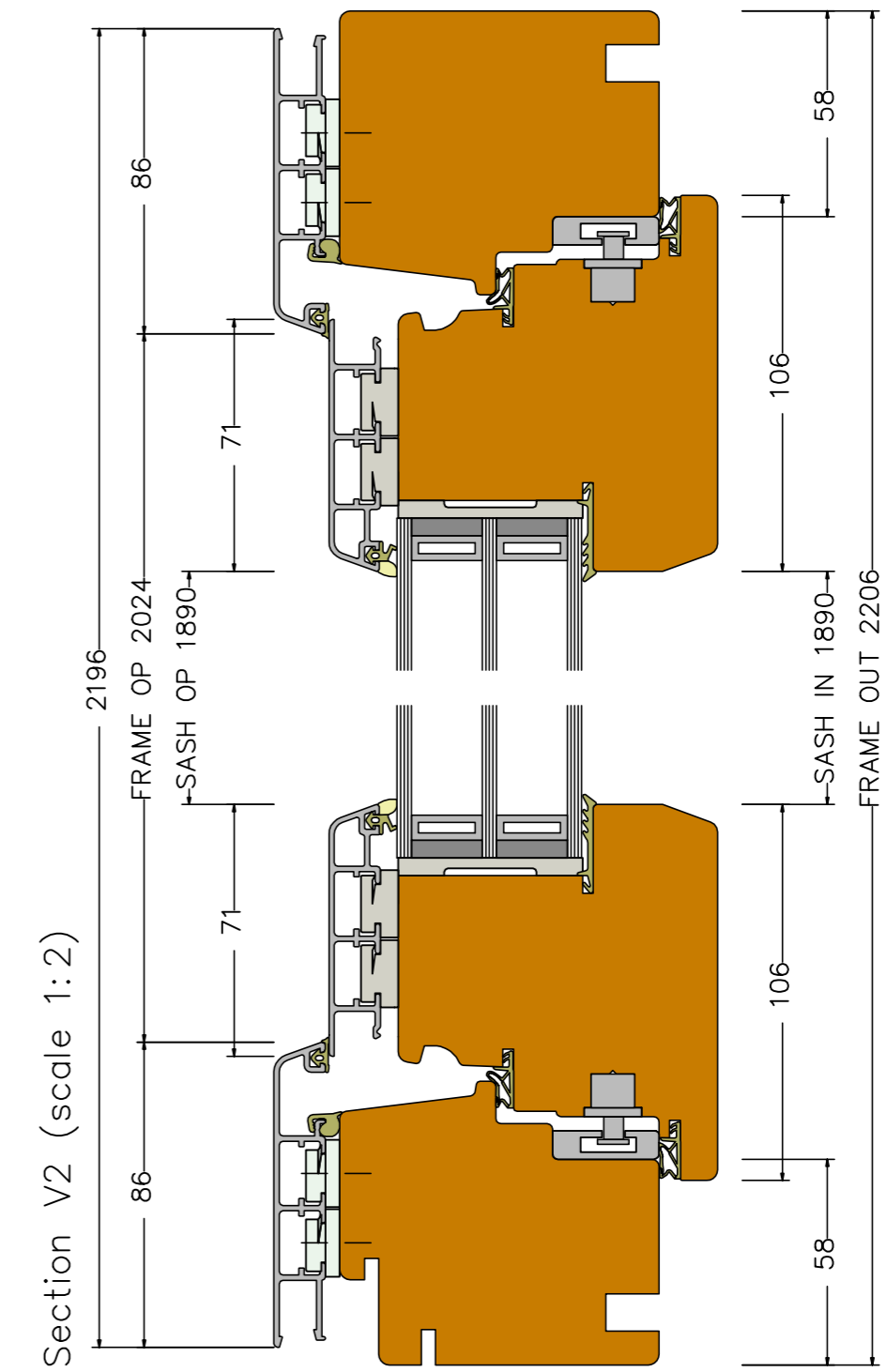
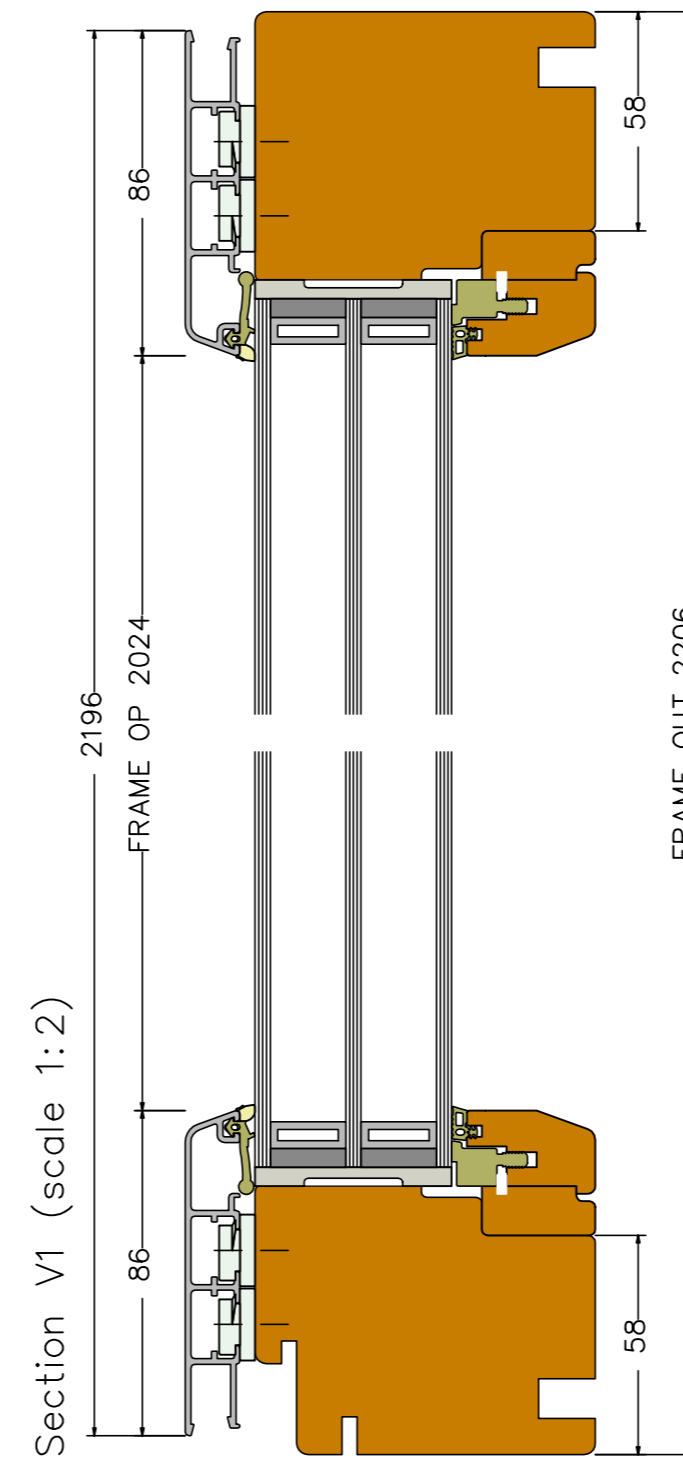
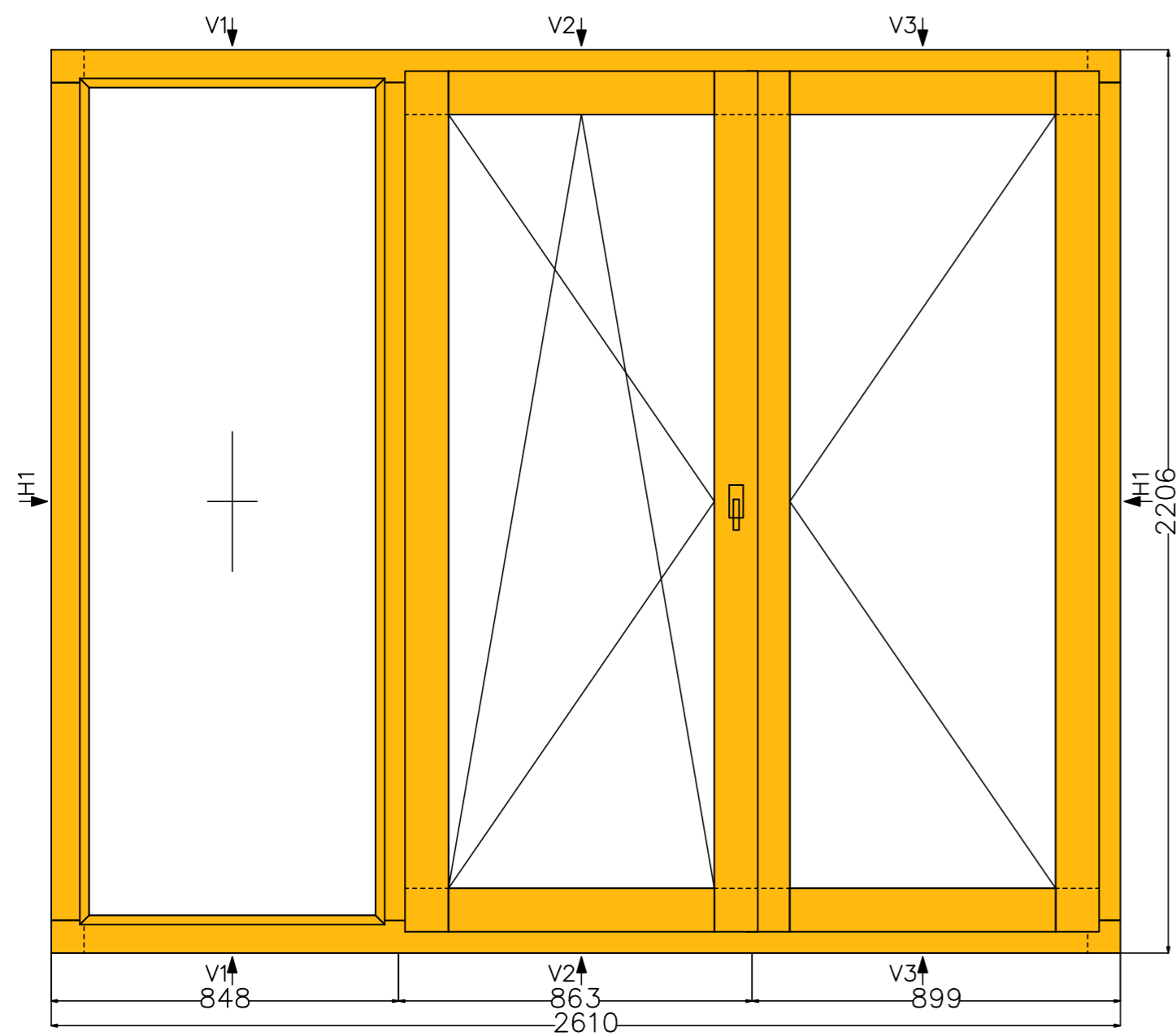
Section H1 (scale 1:2)



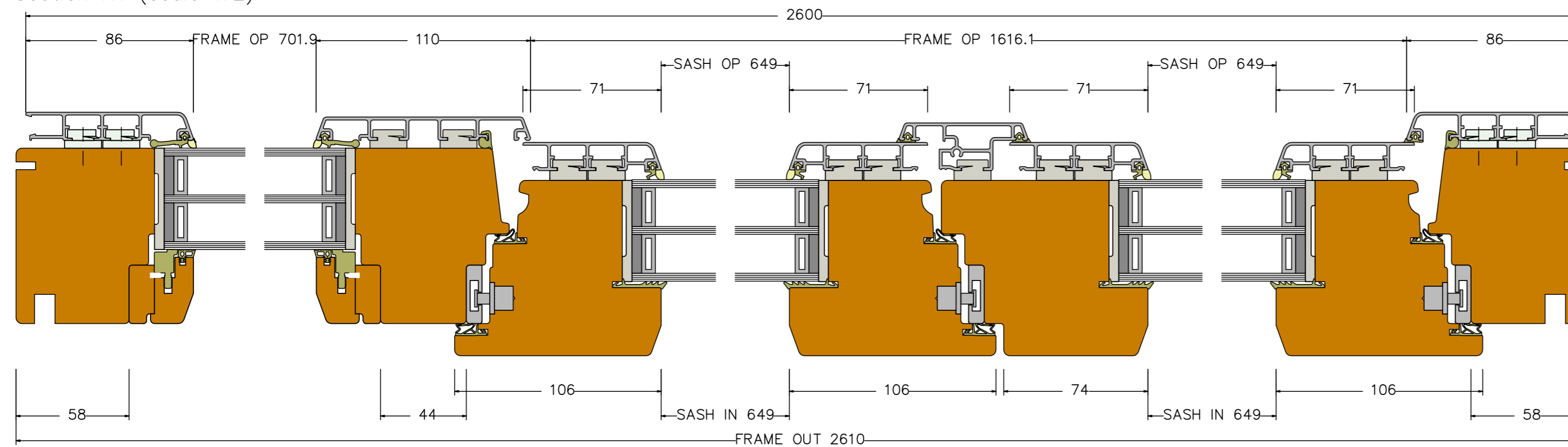
ThermaDura e-MOD Thermally Efficient Window/Door Modules	drawn	Date	Name
		30.05.2020	Rampe
Description: DesignLine e-MOD D-204 Timber-Aluminium Tilt & turn door			
		These drawings are protected by copyright and only to be used in conjunction with the supply of Thermadura products. This drawing is an instrument of service and is provided for informational use only. © 2019 Thermadura Ltd	



View from inside (scale 1:15)



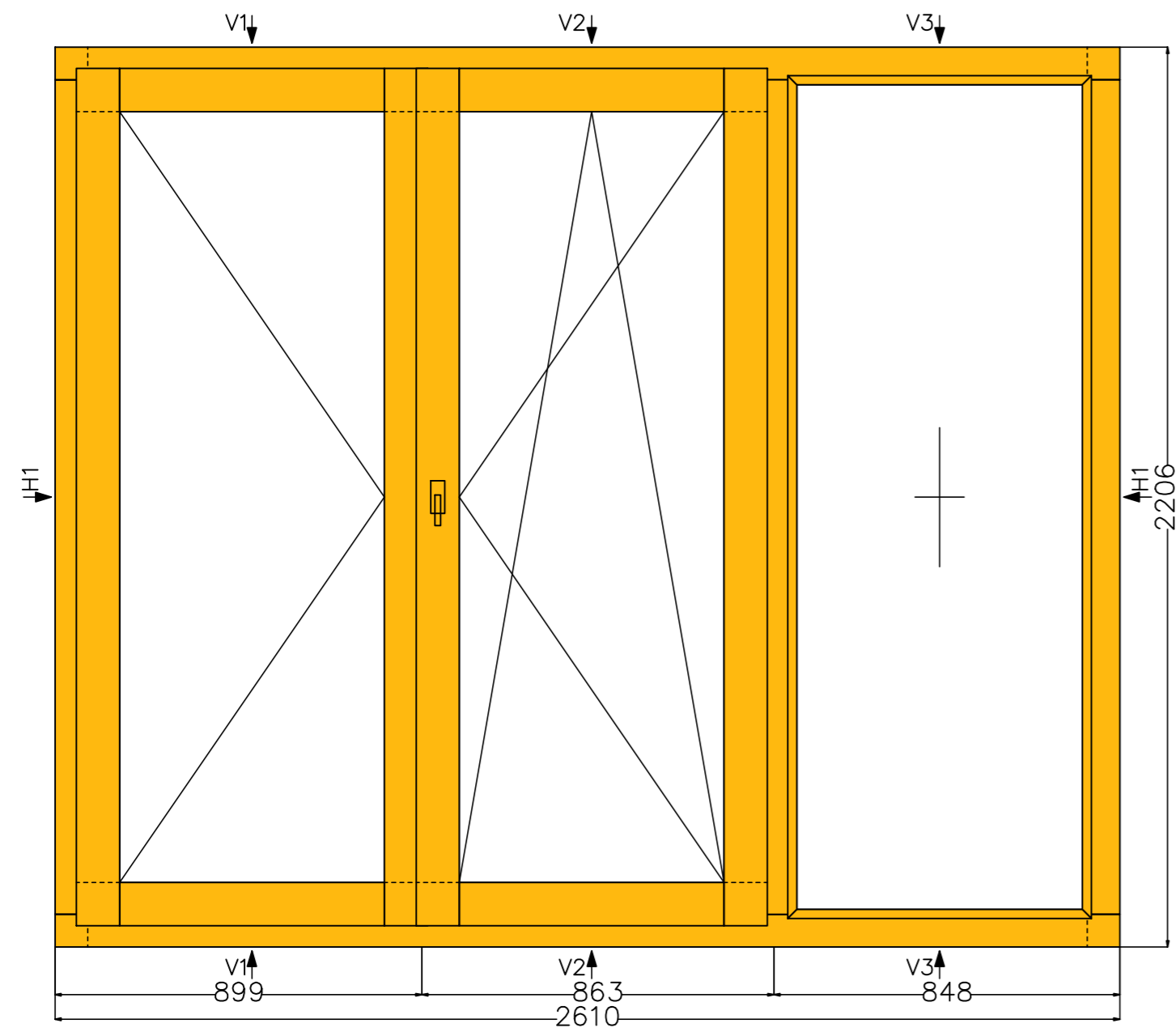
Section H1 (scale 1:2)



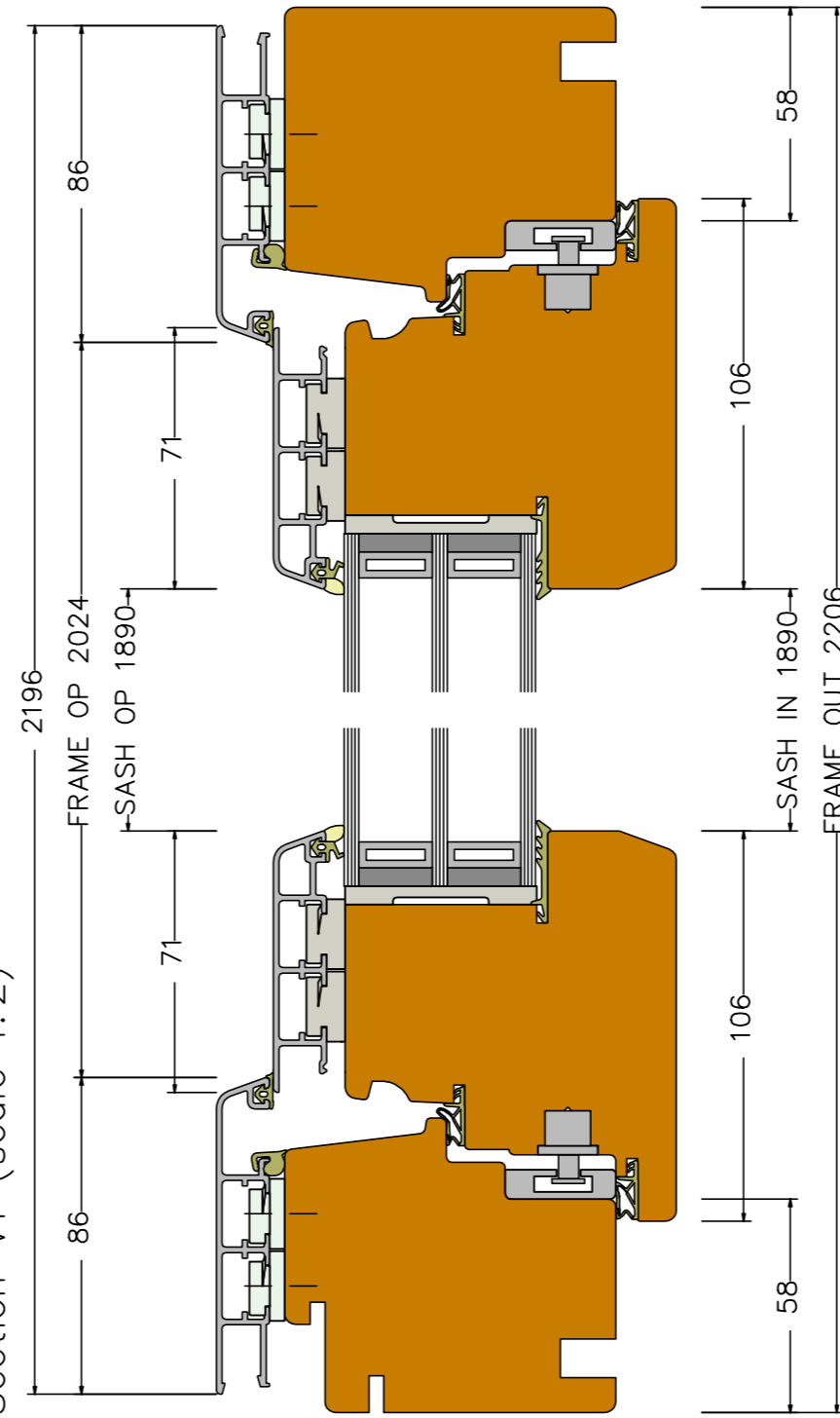
ThermaDura e-MOD Thermally Efficient Window/Door Modules	drawn	Date	Name
		30.05.2020	Rampe
Description: DesignLine e-MOD D-205 Timber-Aluminium Tilt & turn door			
<b>ThermaDura</b>	These drawings are protected by copyright and only to be used in conjunction with the supply of ThermaDura products. This drawing is an instrument of service and is provided for informational use only. © 2019 ThermaDura Ltd		



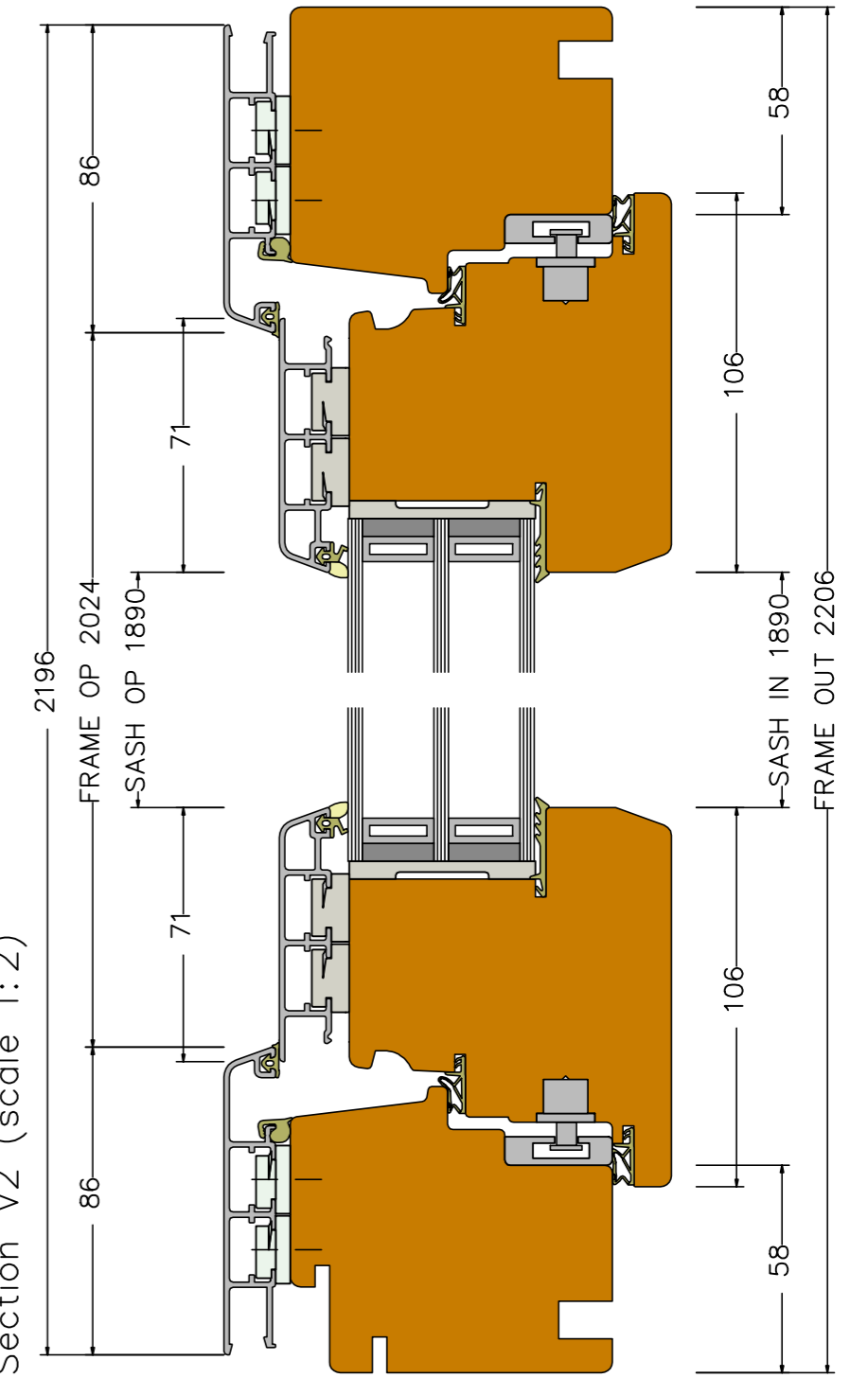
View from inside (scale 1:15)



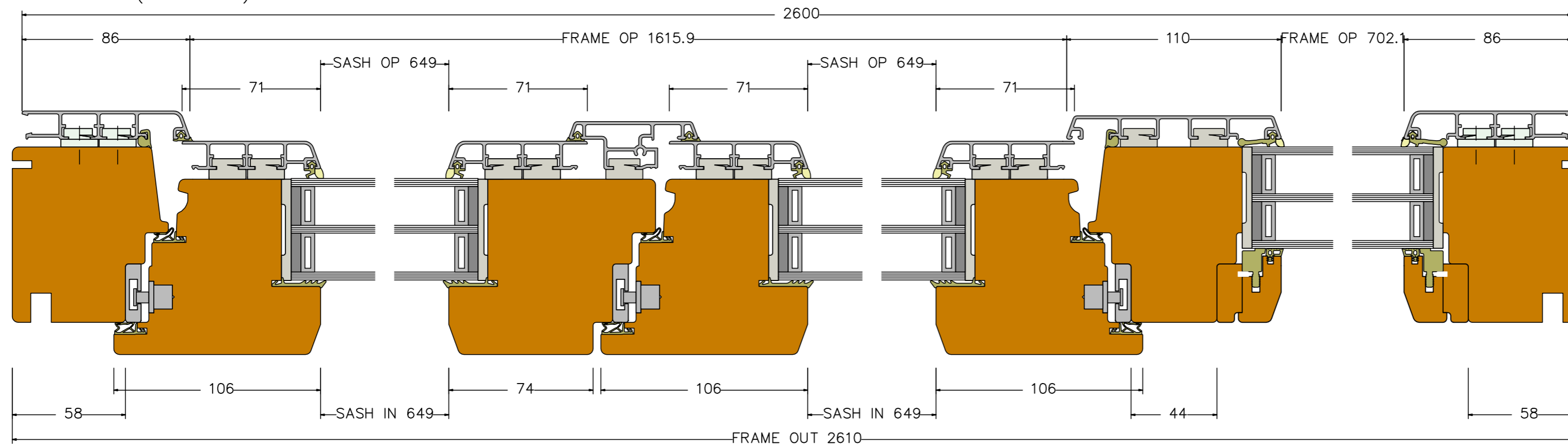
Section V1 (scale 1:2)



Section V2 (scale 1:2)



Section H1 (scale 1:2)

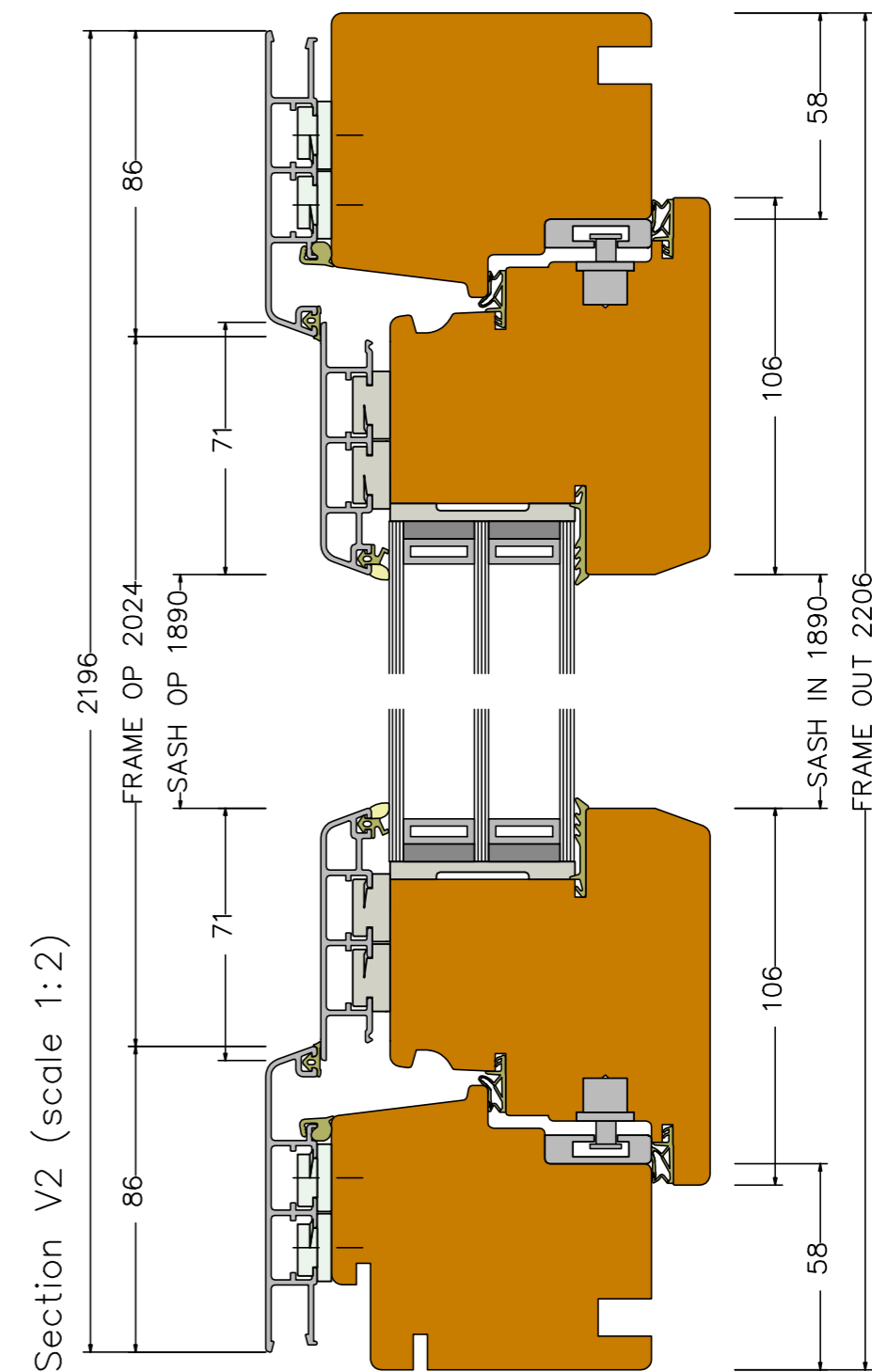
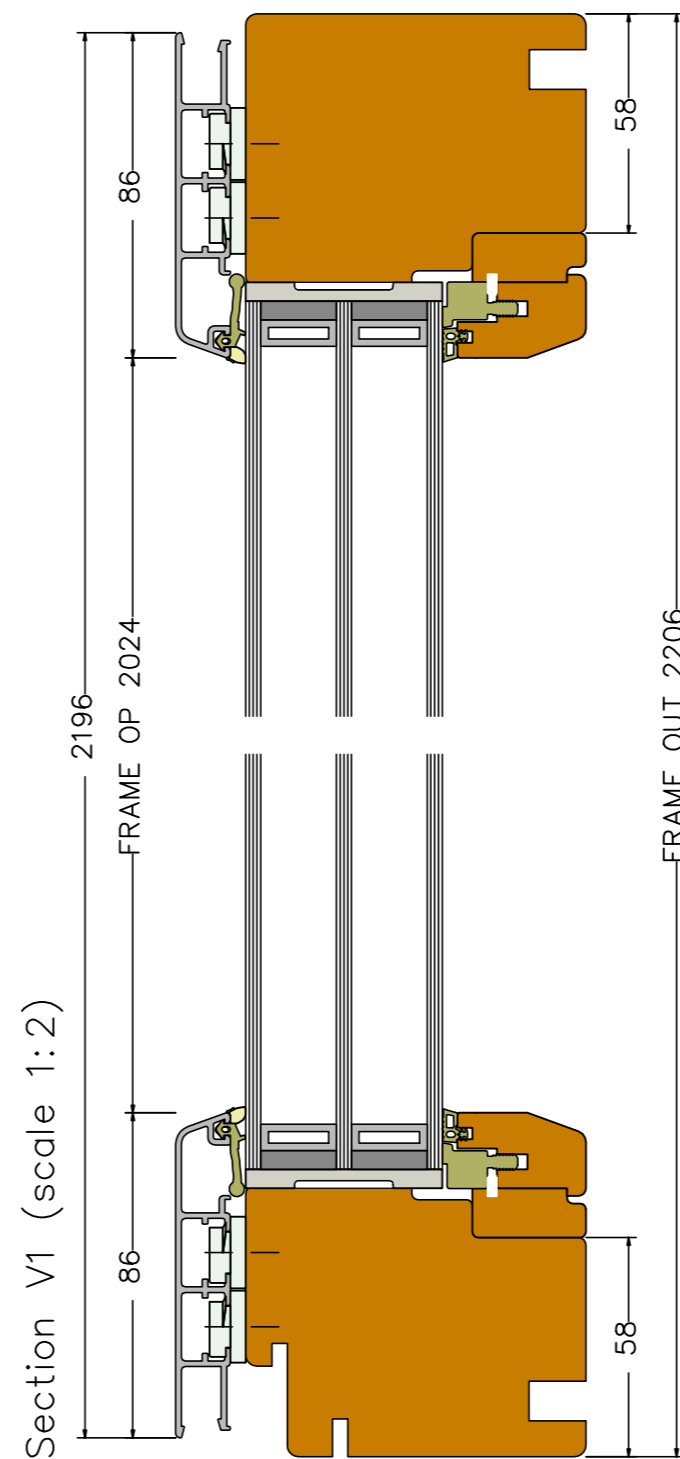
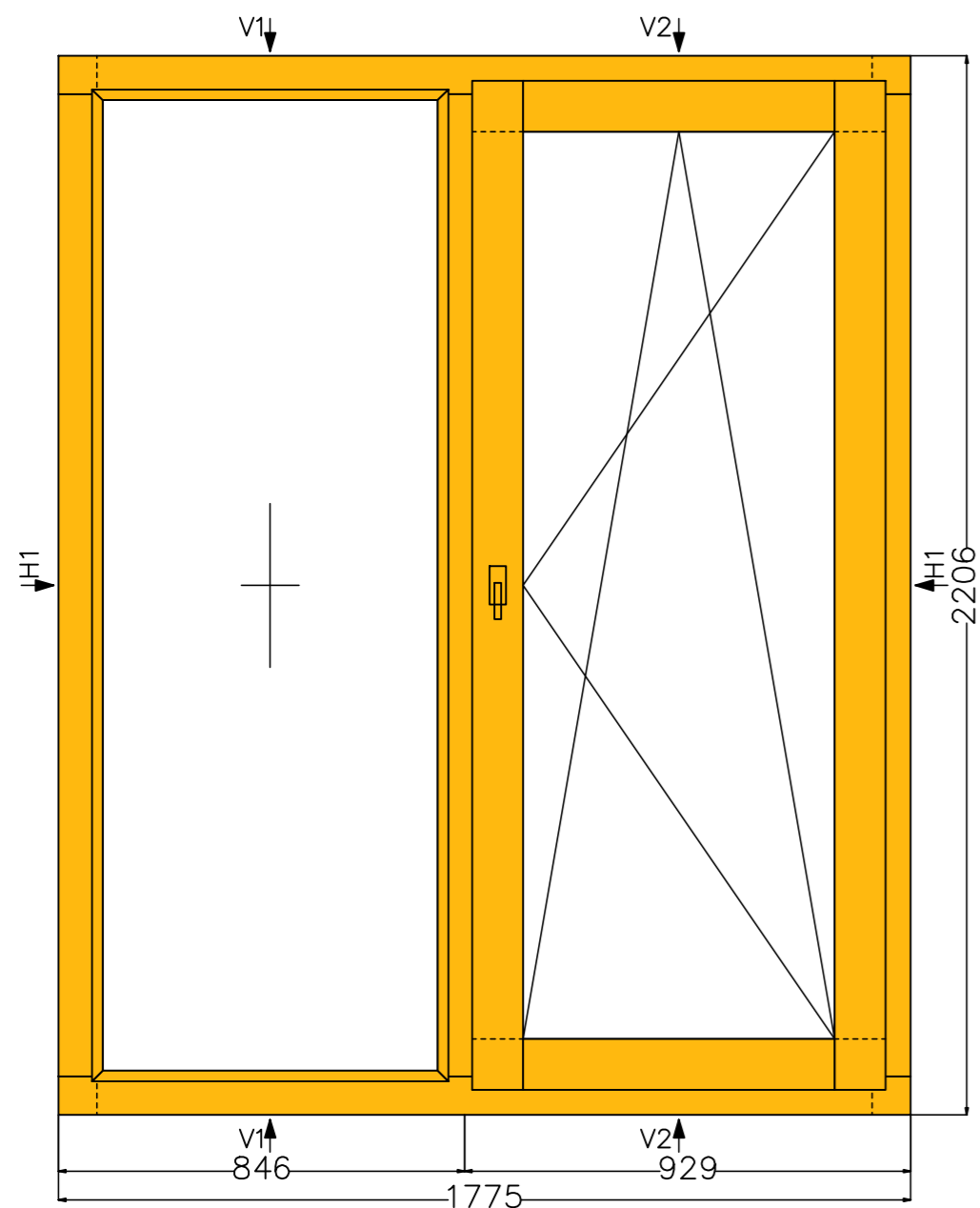


ThermaDura e-MOD Thermally Efficient Window/Door Modules	drawn	Date	Name
		30.05.2020	Rampe
Description: DesignLine e-MOD D-206 Timber-Aluminium Tilt & turn door			
<b>ThermaDura</b>	These drawings are protected by copyright and only to be used in conjunction with the supply of ThermaDura products. This drawing is an instrument of service and is provided for informational use only. © 2019 ThermaDura Ltd		

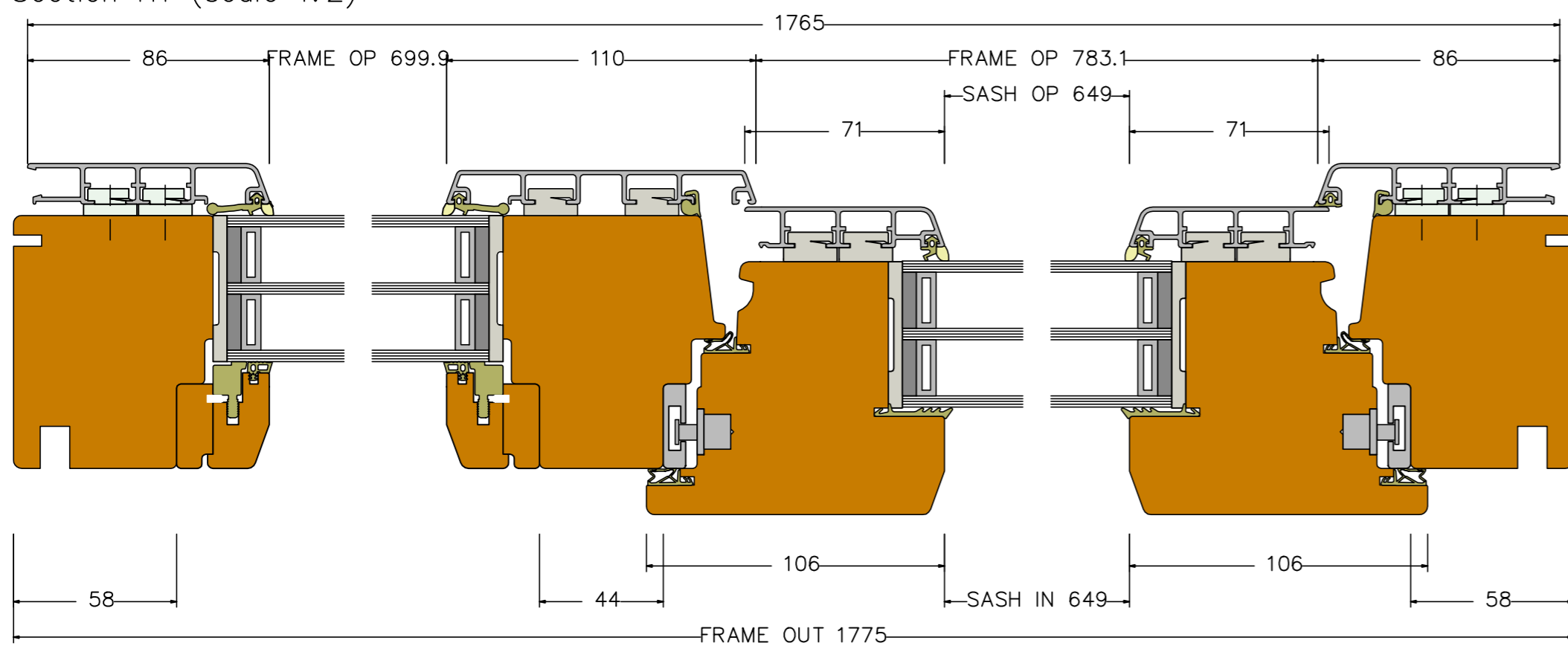




View from inside (scale 1:15)

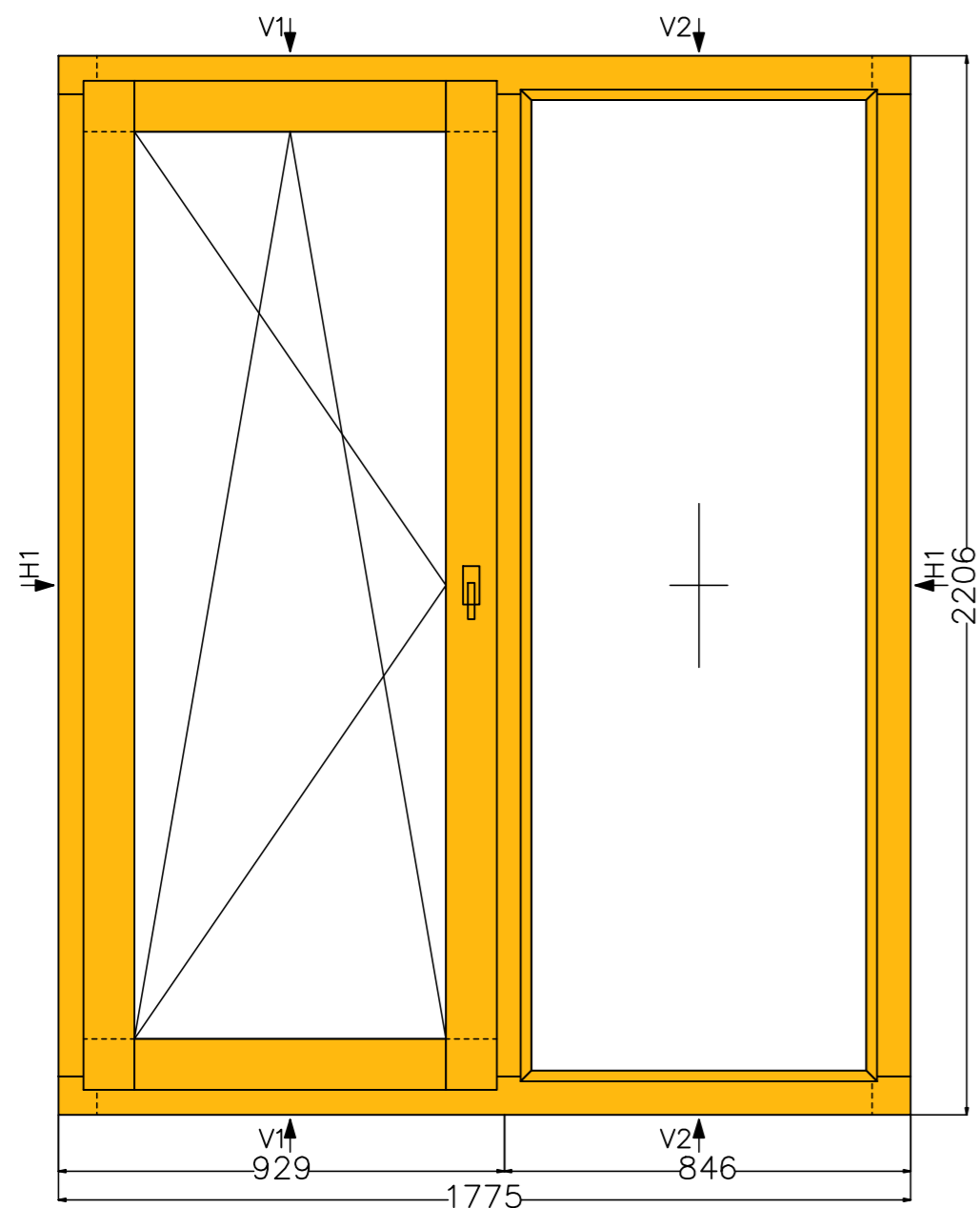


Section H1 (scale 1:2)

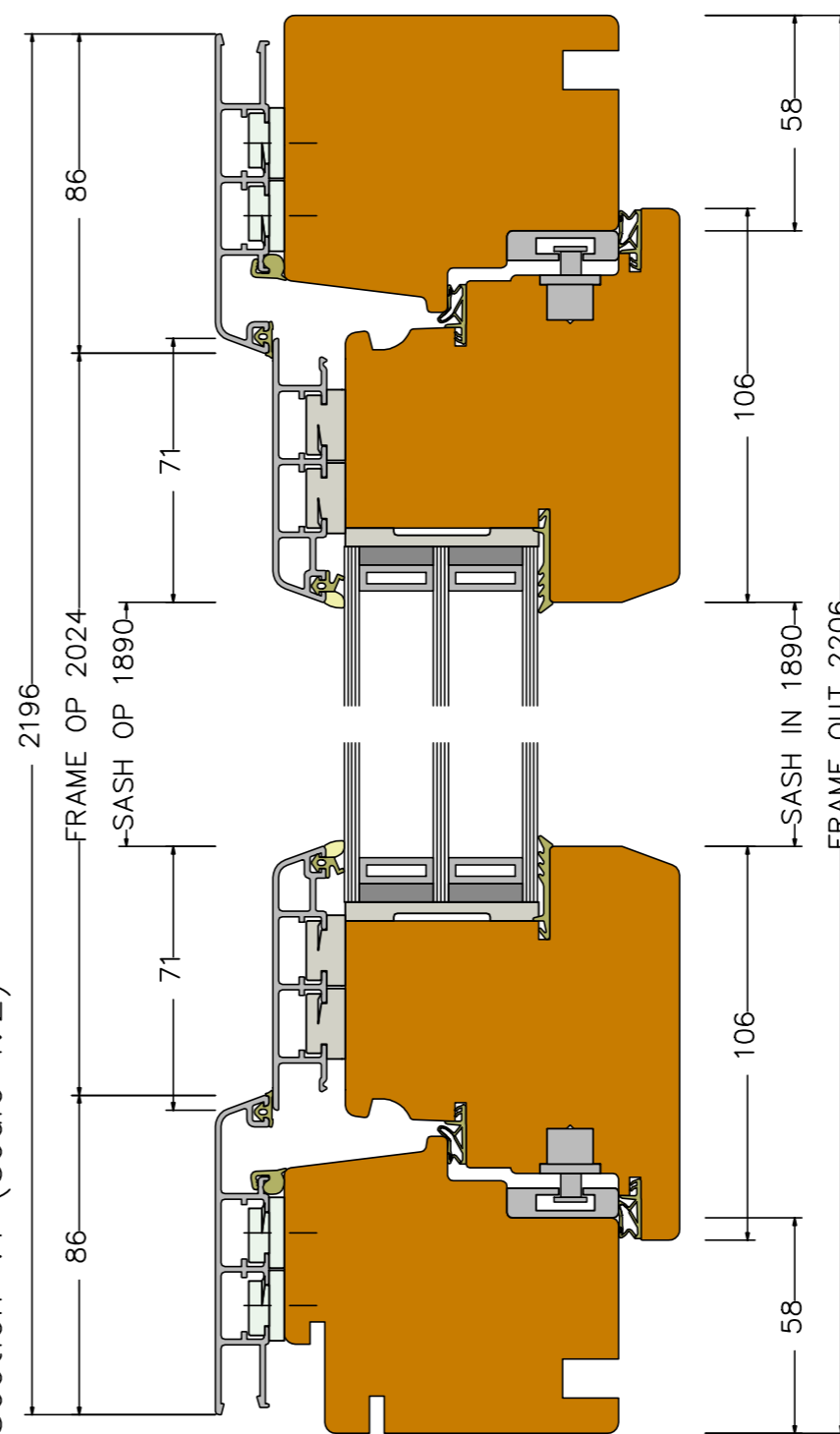


ThermaDura e-MOD Thermally Efficient Window/Door Modules	drawn	Date	Name
		30.05.2020	Rampe
Description: DesignLine e-MOD D-207 Timber-Aluminium Tilt & turn door			
<b>ThermaDura</b>	These drawings are protected by copyright and only to be used in conjunction with the supply of ThermaDura products. This drawing is an instrument of service and is provided for informational use only. © 2019 ThermaDura Ltd		

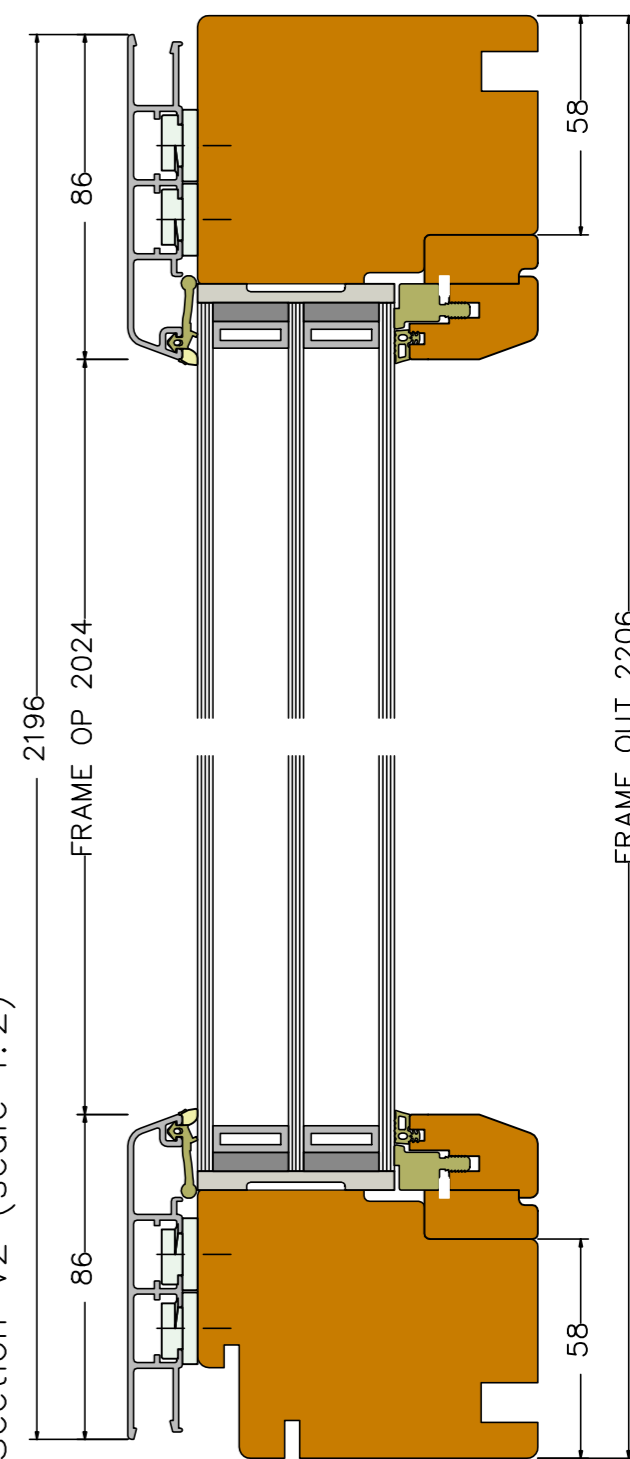
View from inside (scale 1:15)



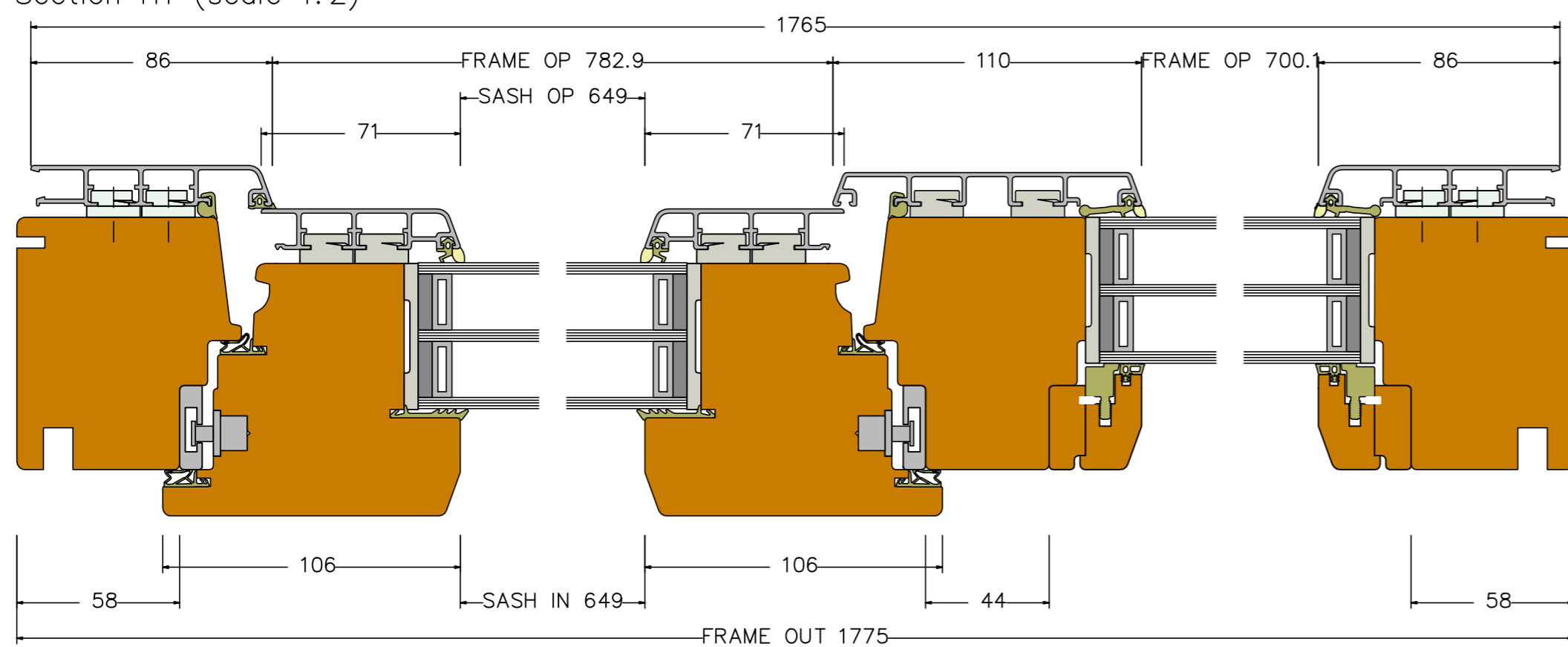
Section V1 (scale 1:2)



Section V2 (scale 1:2)

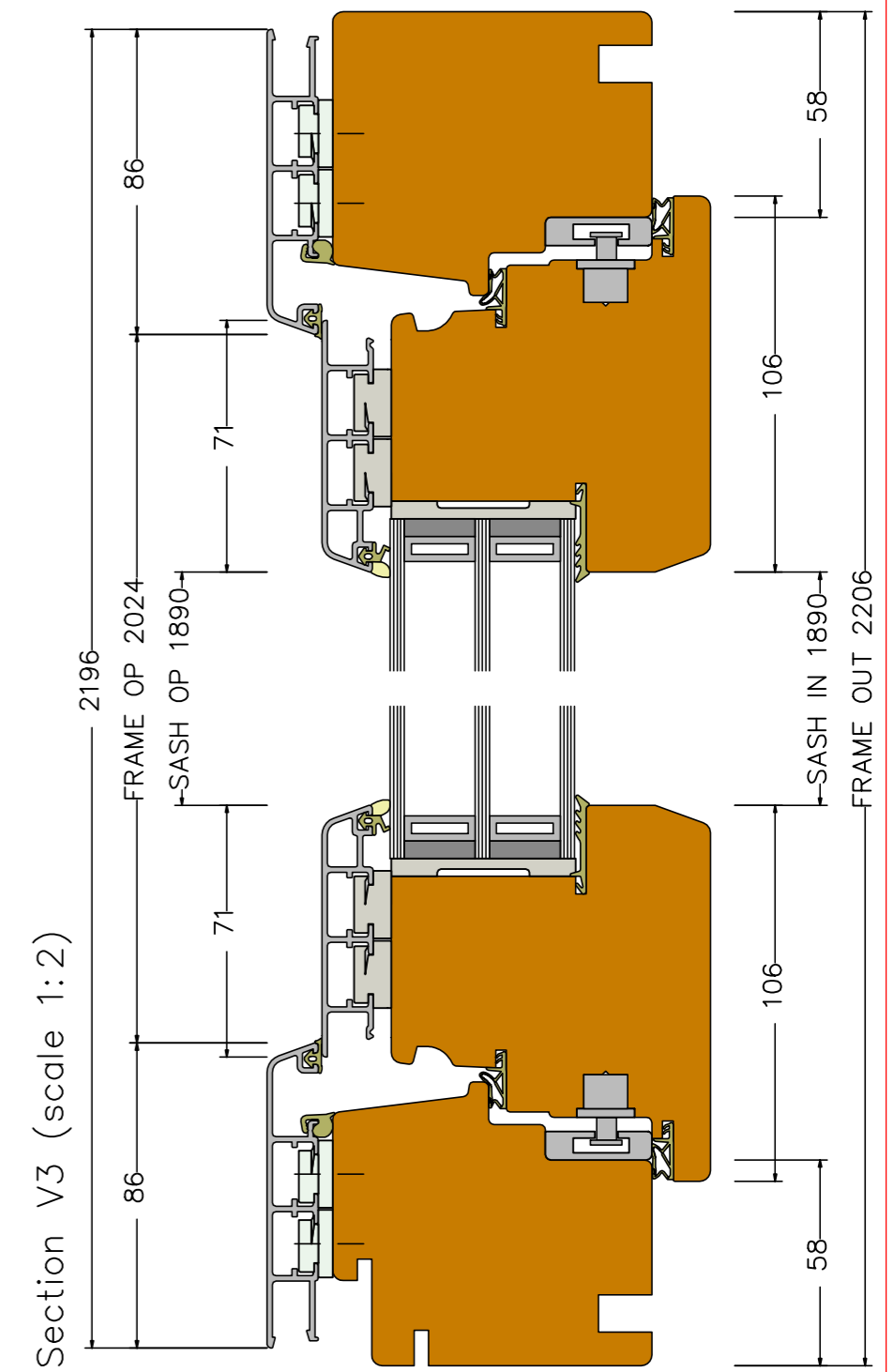
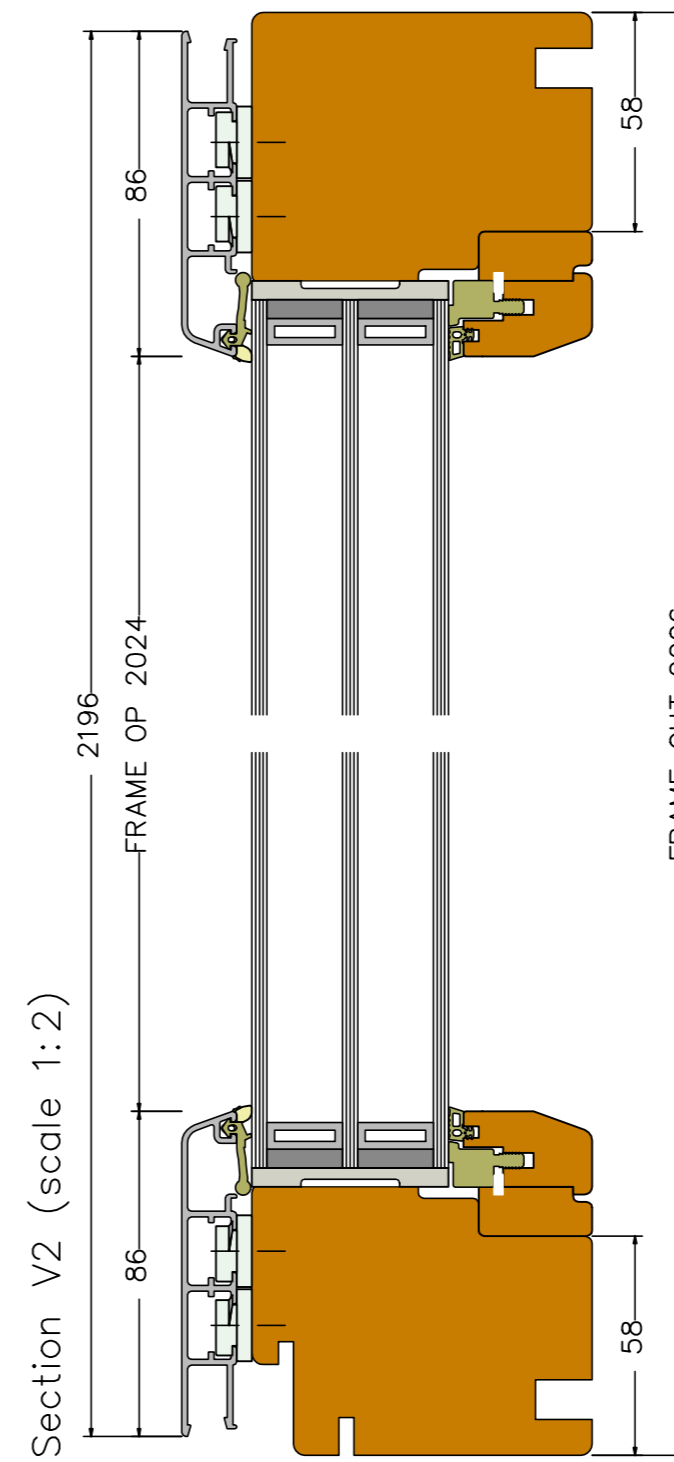
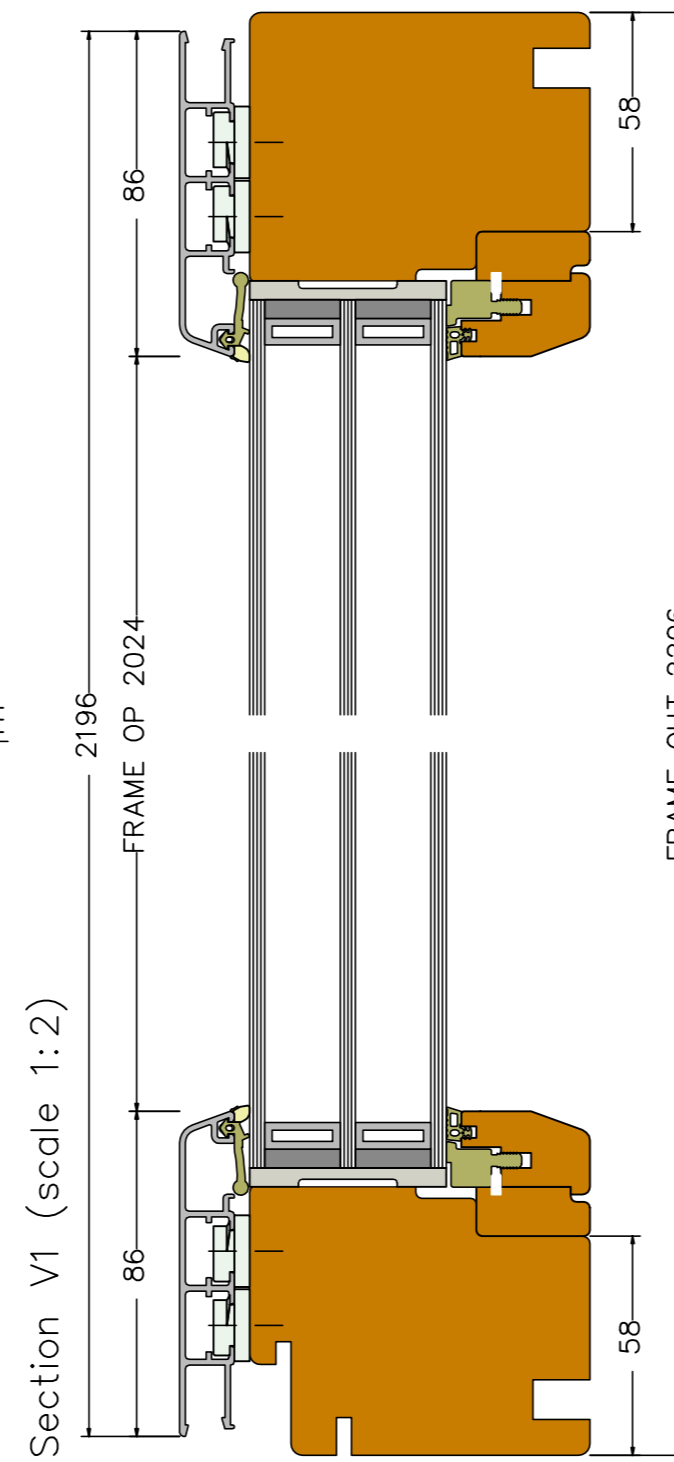
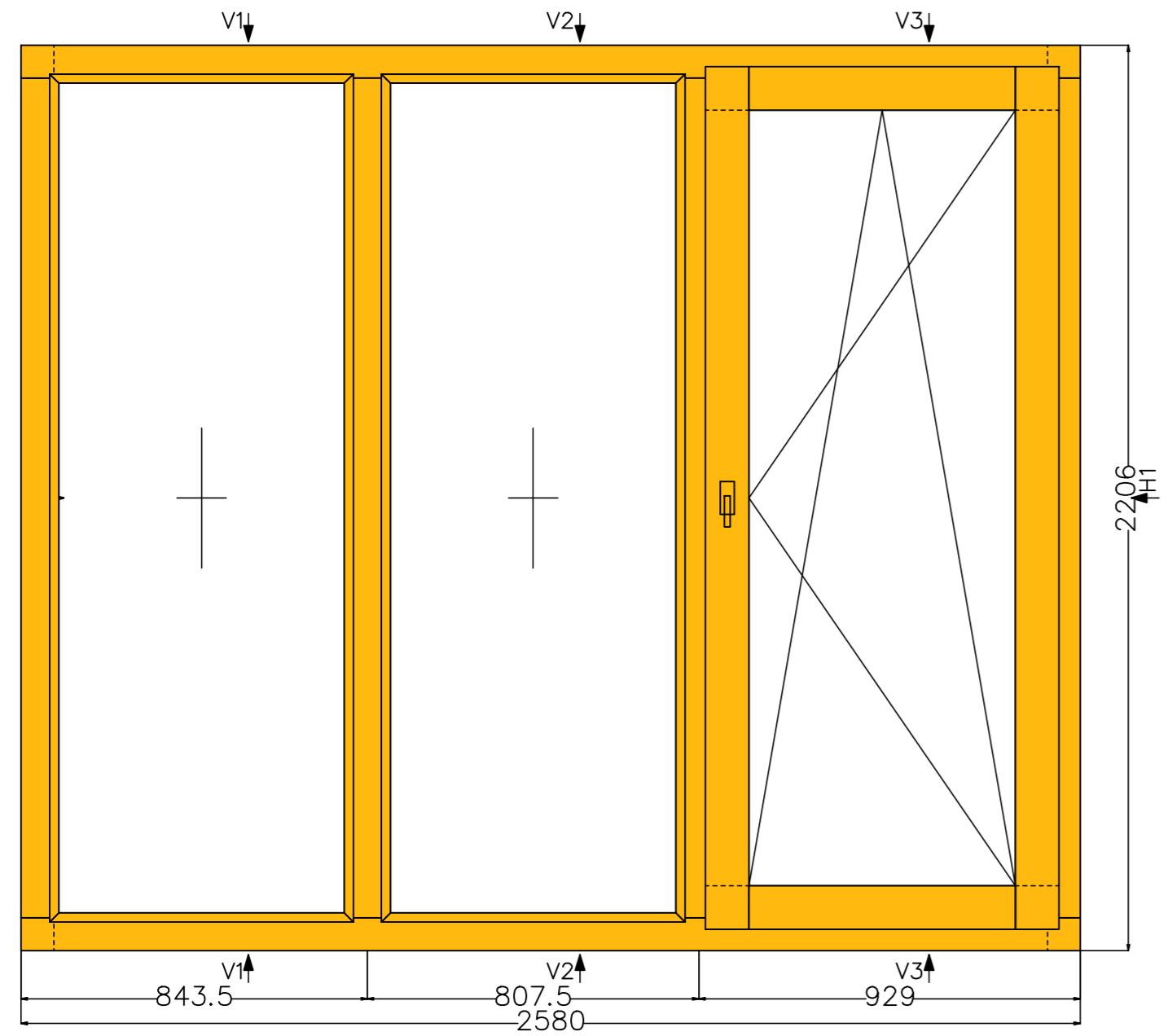


Section H1 (scale 1:2)

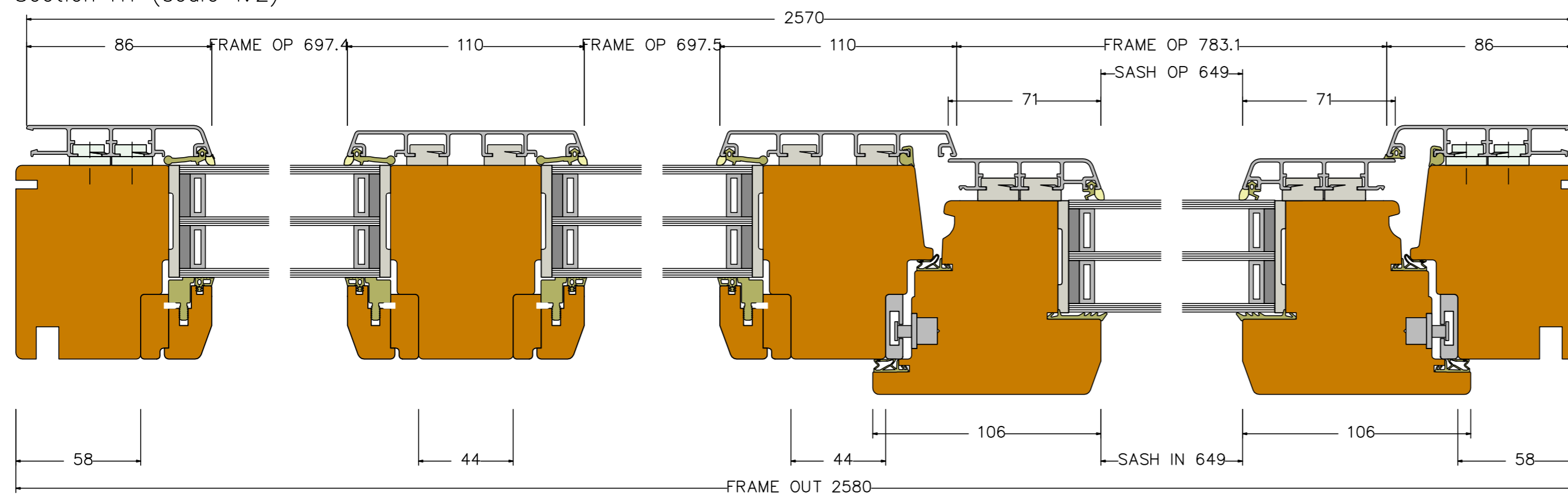


ThermaDura e-MOD Thermally Efficient Window/Door Modules	drawn	Date	Name
		30.05.2020	Rampe
Description: DesignLine e-MOD D-208 Timber-Aluminium Tilt & turn door			
<b>ThermaDura</b>	These drawings are protected by copyright and only to be used in conjunction with the supply of Thermadura products. This drawing is an instrument of service and is provided for informational use only. © 2019 Thermadura Ltd		

View from inside (scale 1:15)



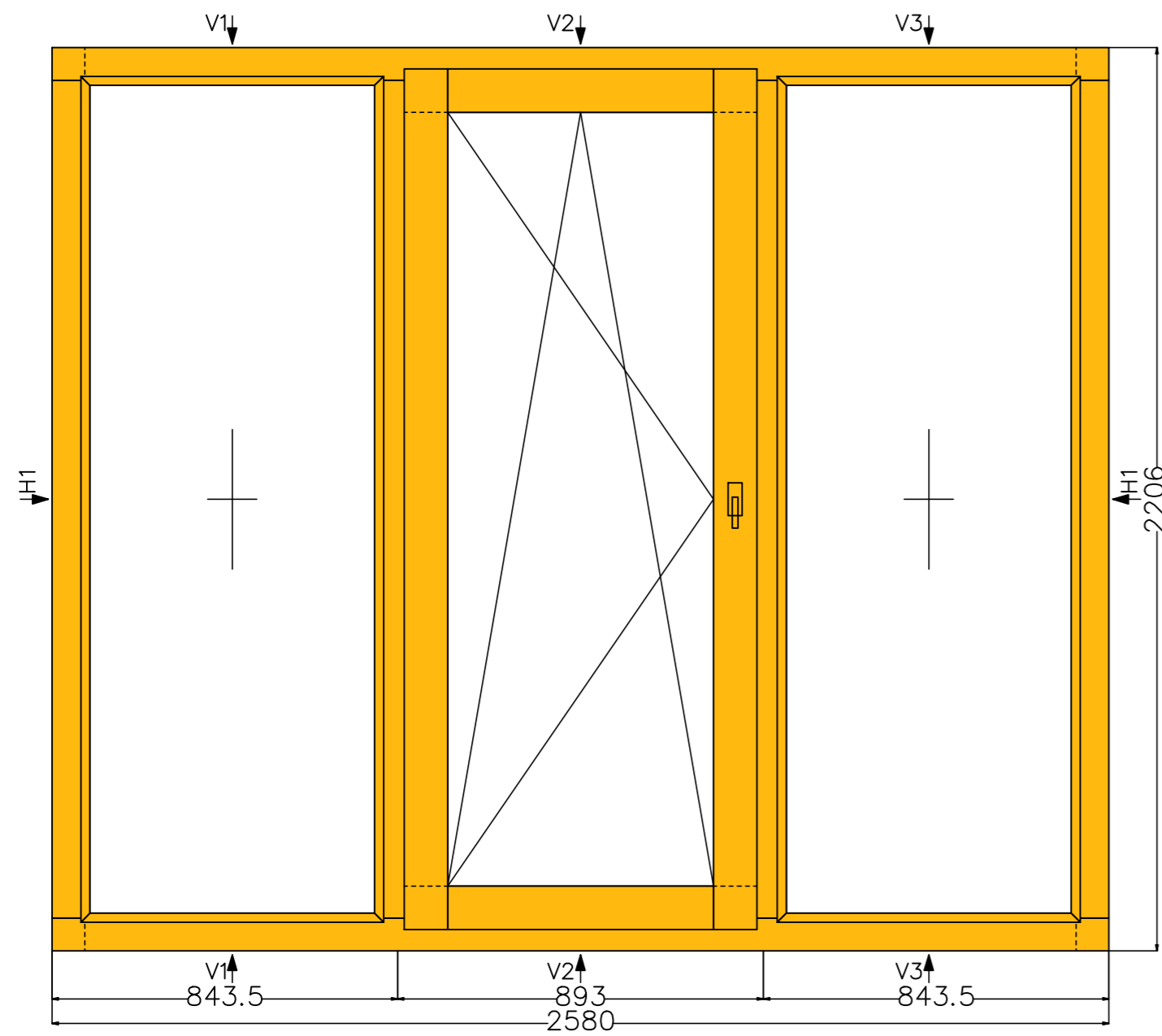
Section H1 (scale 1:2)



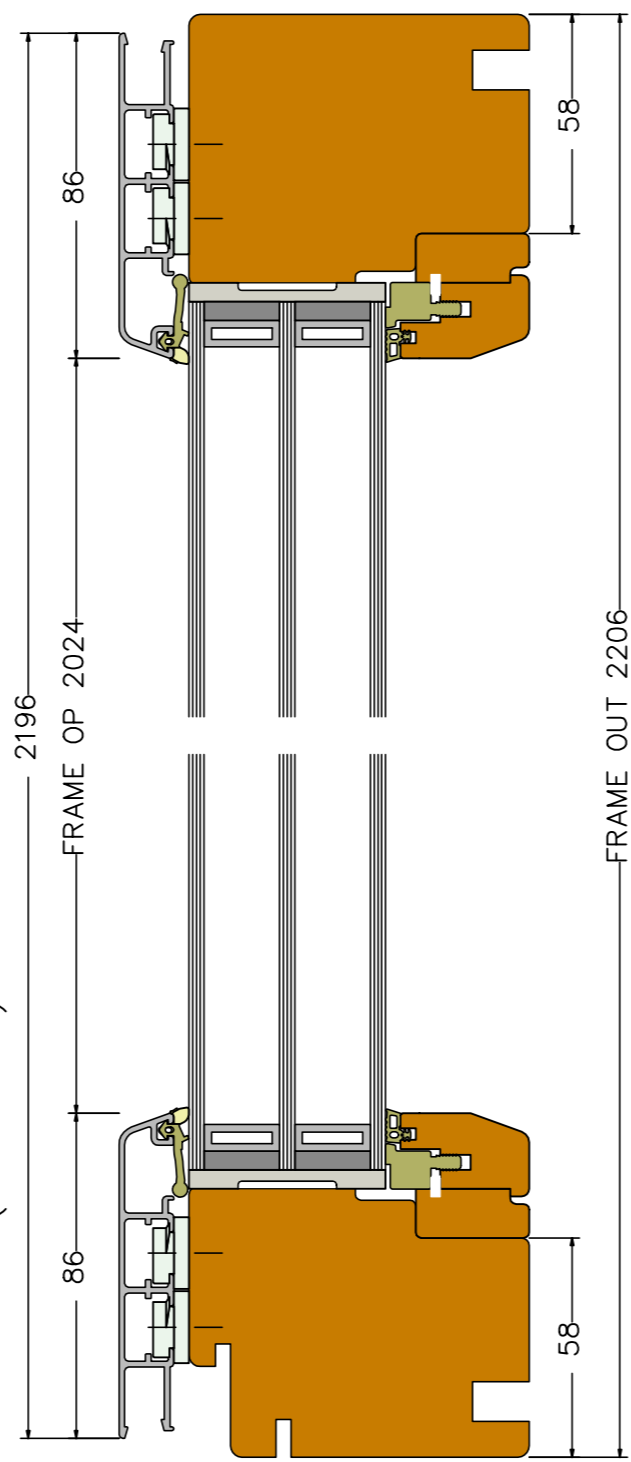
ThermaDura e-MOD Thermally Efficient Window/Door Modules	drawn	Date	Name
		30.05.2020	Rampe
Description: DesignLine e-MOD D-209 Timber-Aluminium Tilt & turn door			
<b>ThermaDura</b>	These drawings are protected by copyright and only to be used in conjunction with the supply of ThermaDura products. This drawing is an instrument of service and is provided for informational use only. © 2019 ThermaDura Ltd		



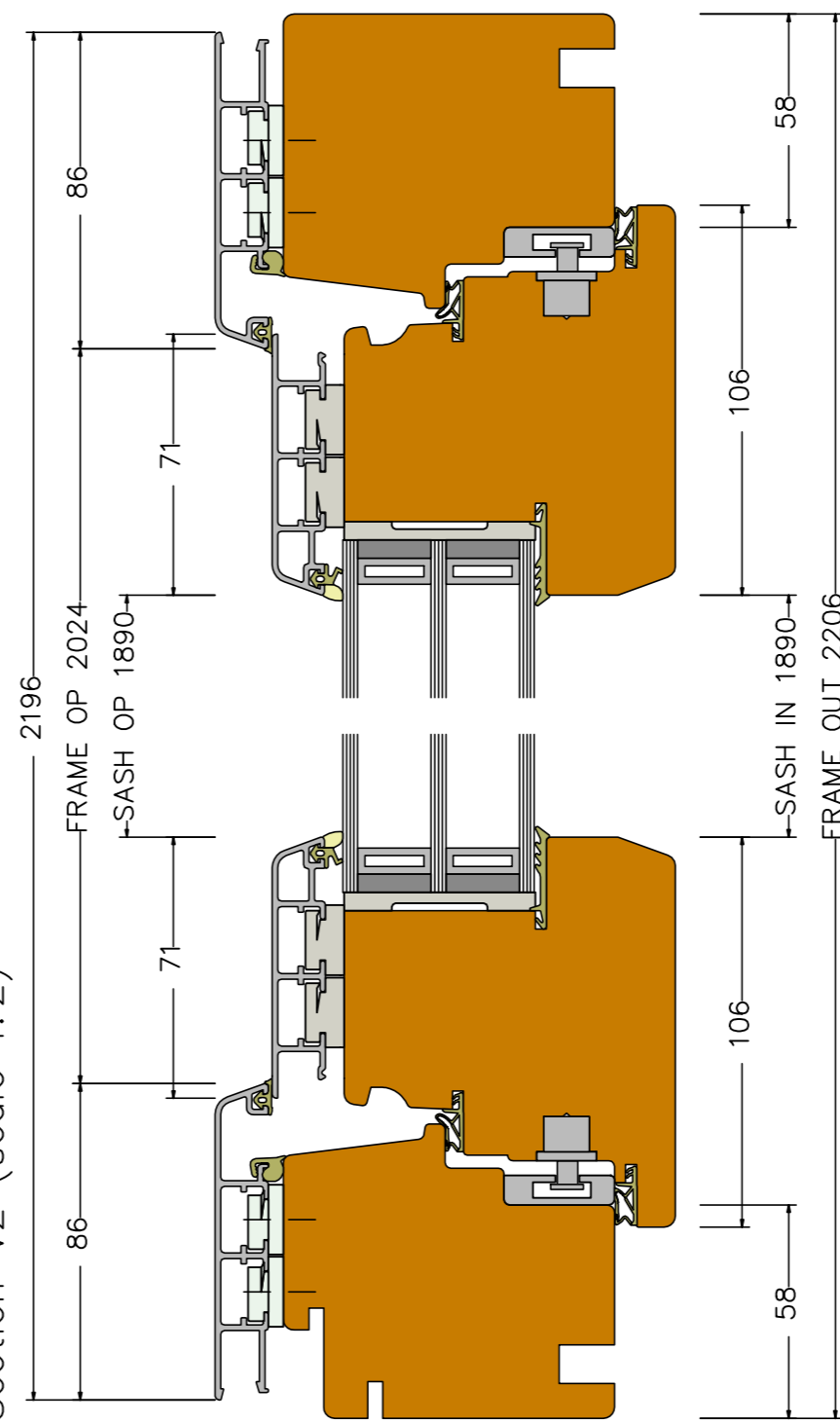
View from inside (scale 1:15)



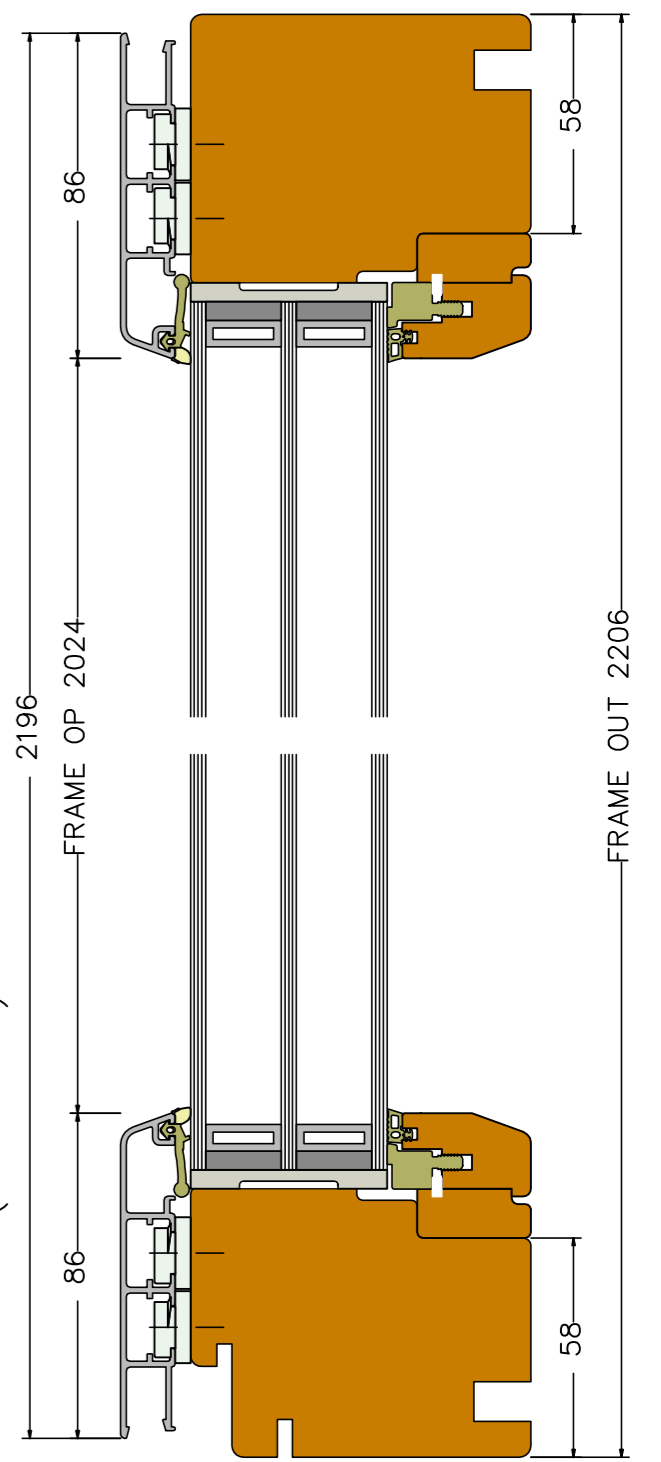
Section V1 (scale 1:2)



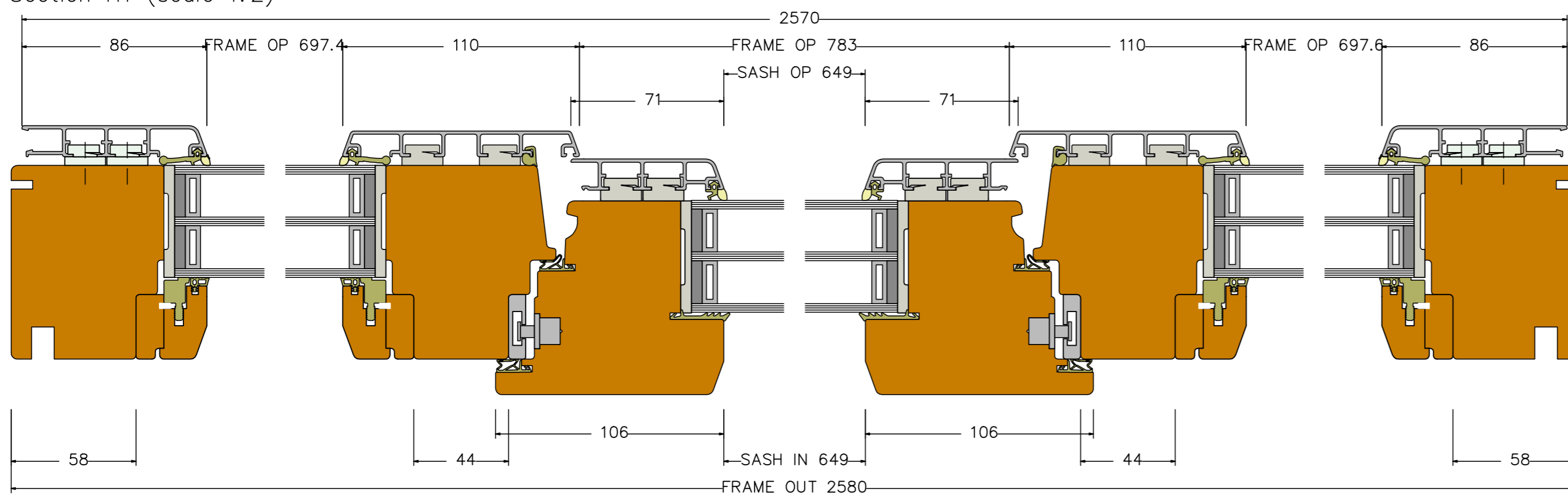
Section V2 (scale 1:2)



Section V3 (scale 1:2)

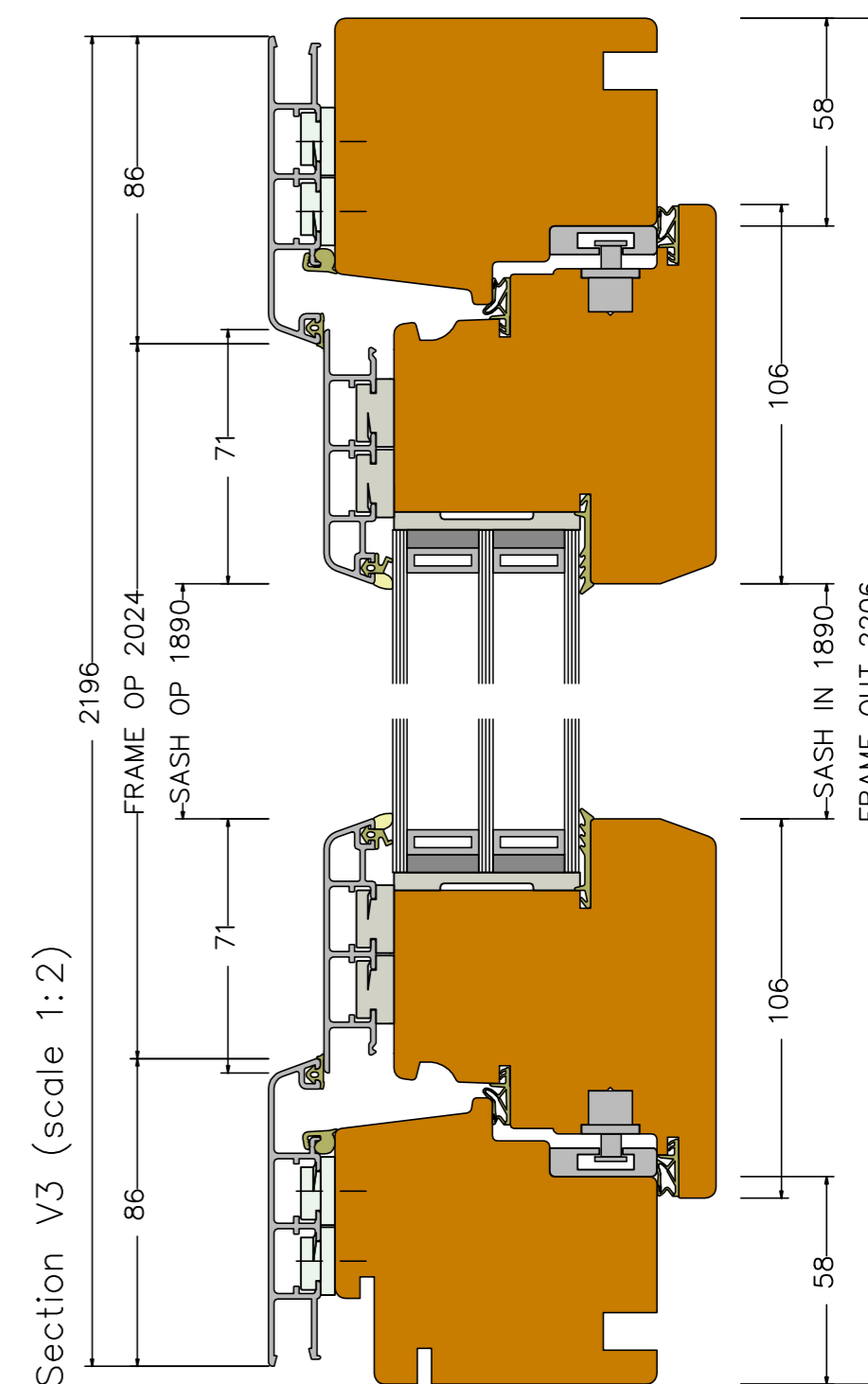
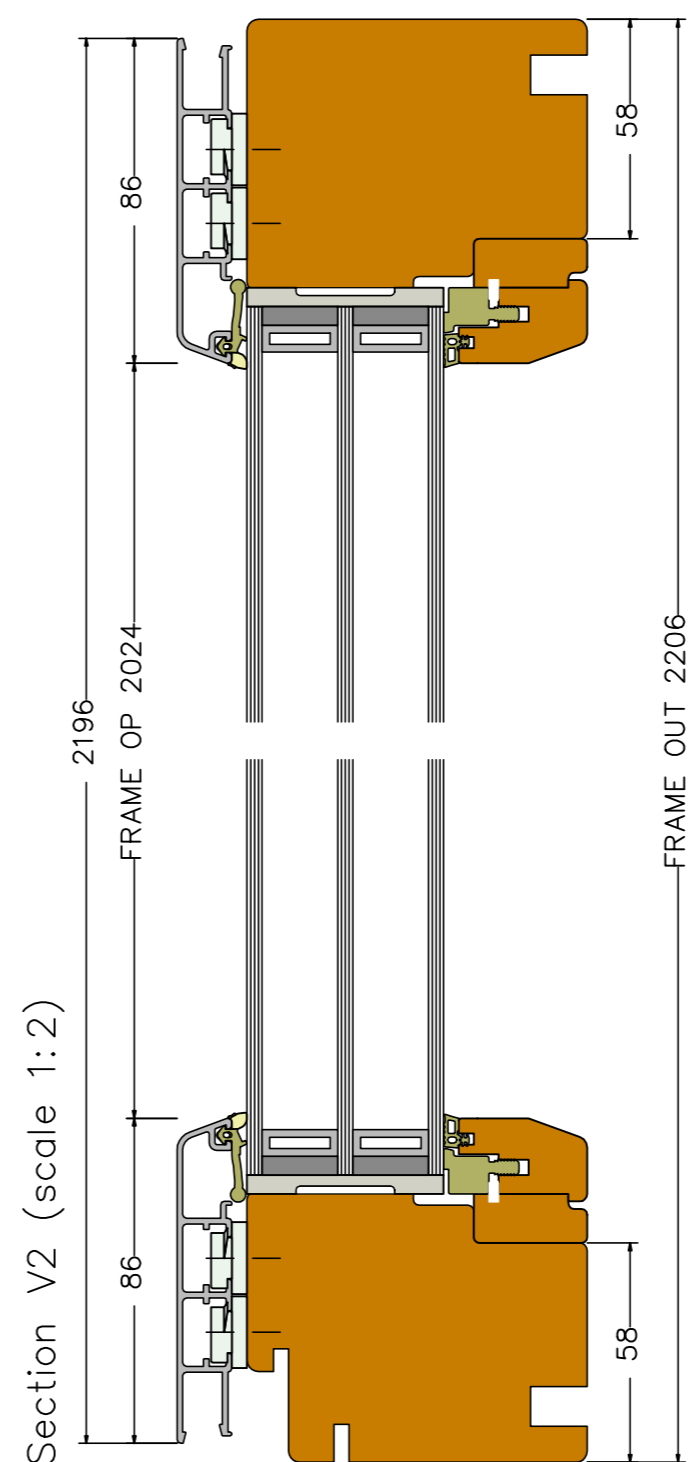
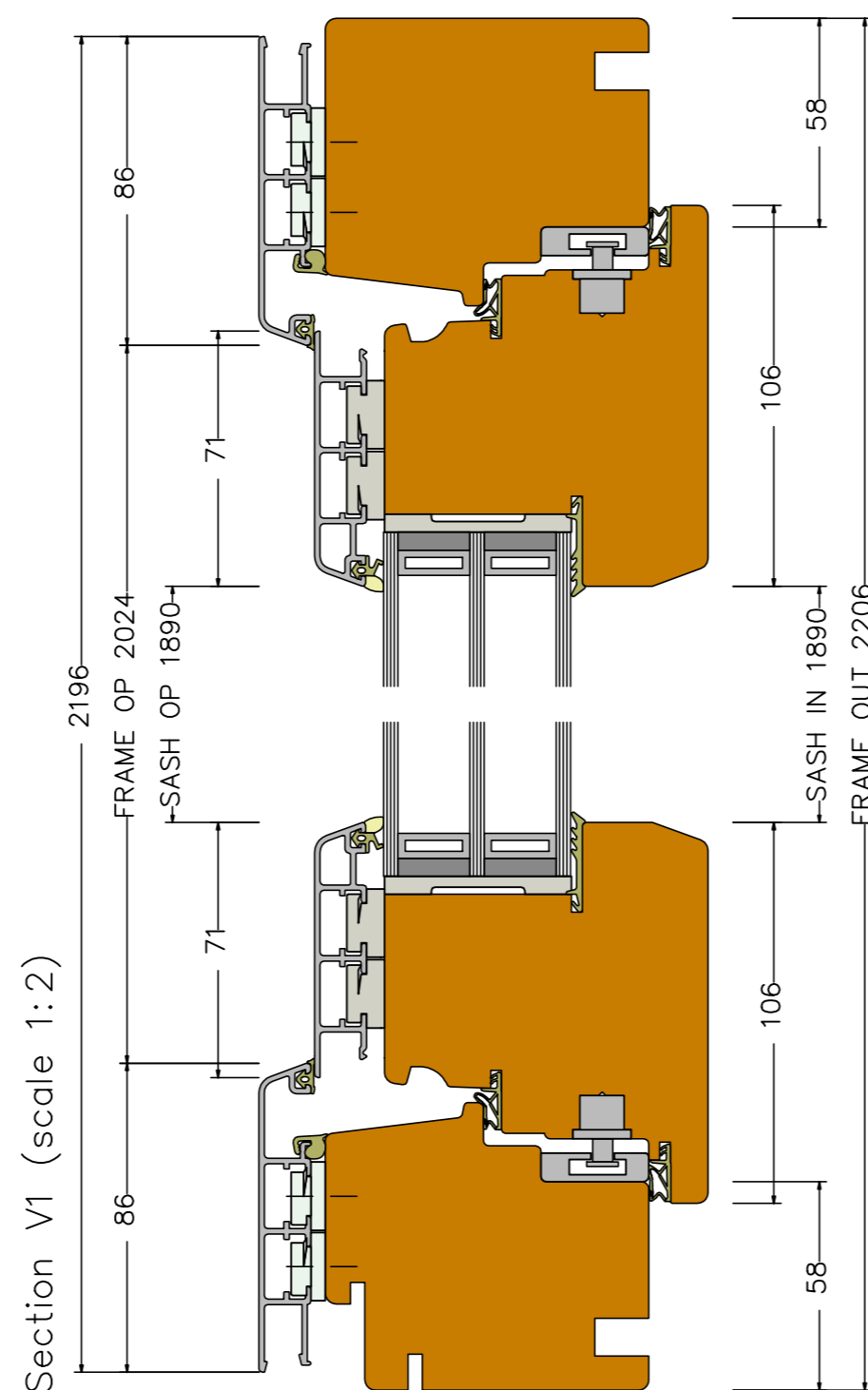
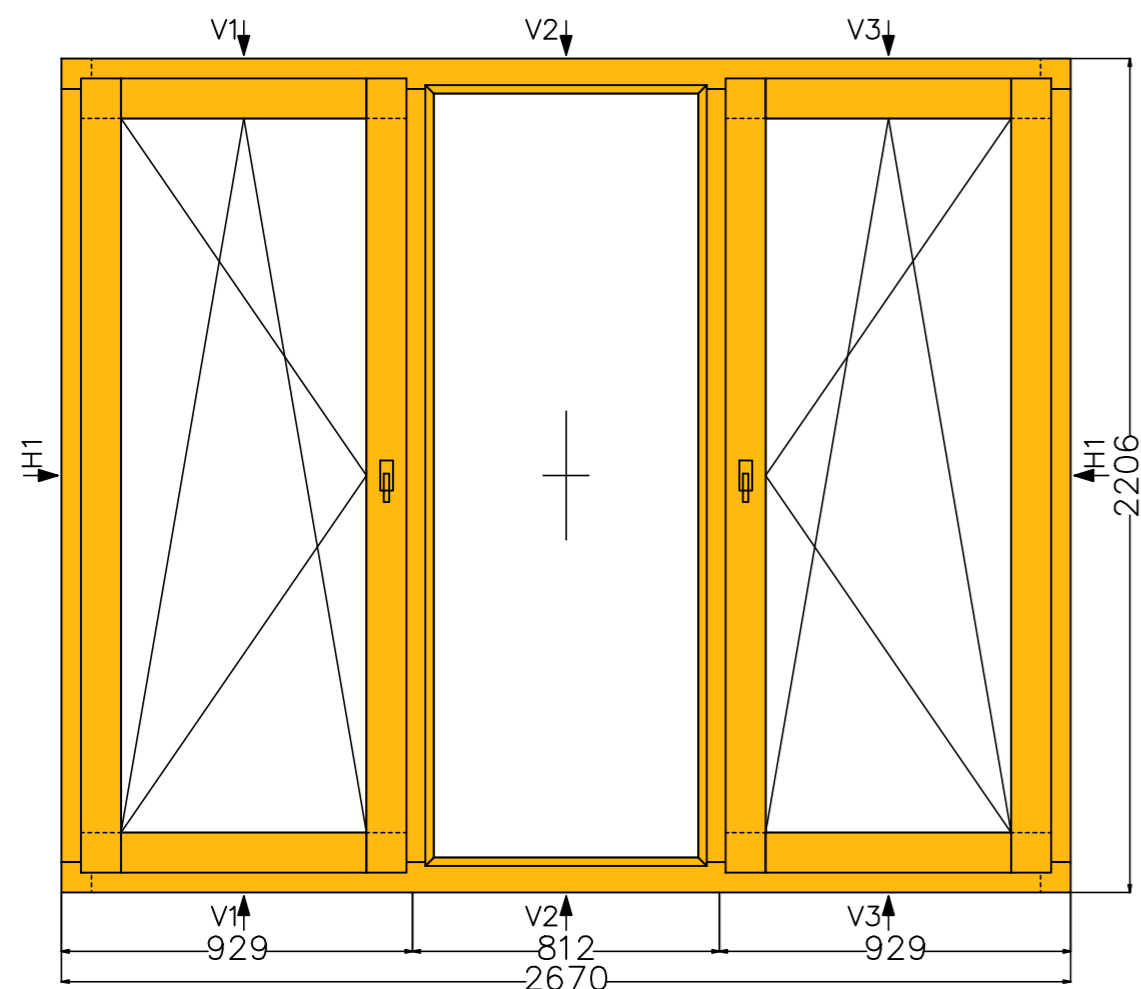


Section H1 (scale 1:2)

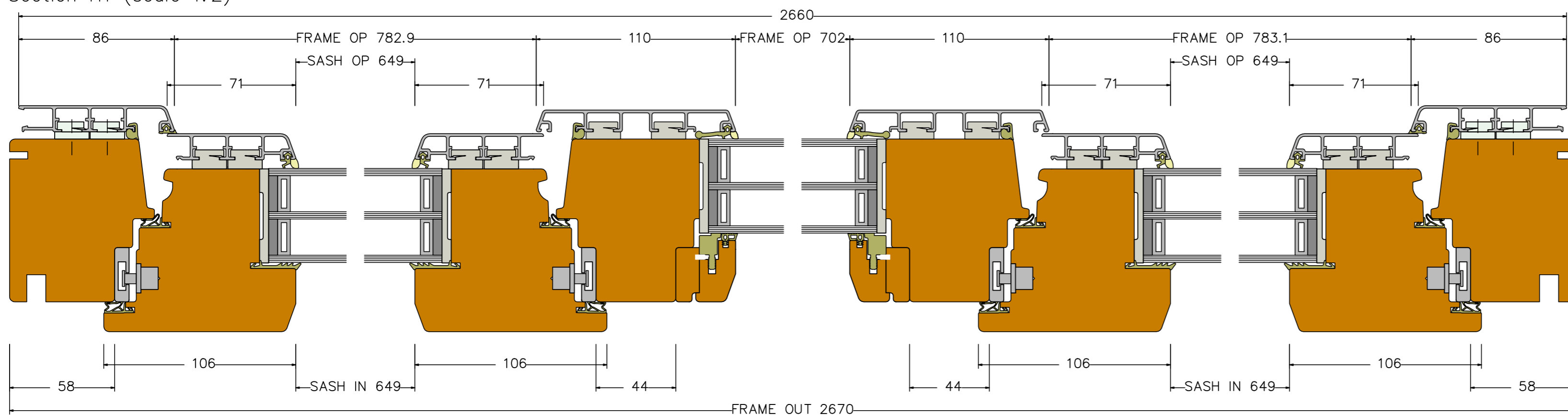


ThermaDura e-MOD Thermally Efficient Window/Door Modules	drawn	Date	Name
		30.05.2020	Rampe
Description: DesignLine e-MOD D-211 Timber-Aluminium Tilt & turn door			
<b>ThermaDura</b>	These drawings are protected by copyright and only to be used in conjunction with the supply of ThermaDura products. This drawing is an instrument of service and is provided for informational use only. © 2019 ThermaDura Ltd		

View from inside (scale 1:20)



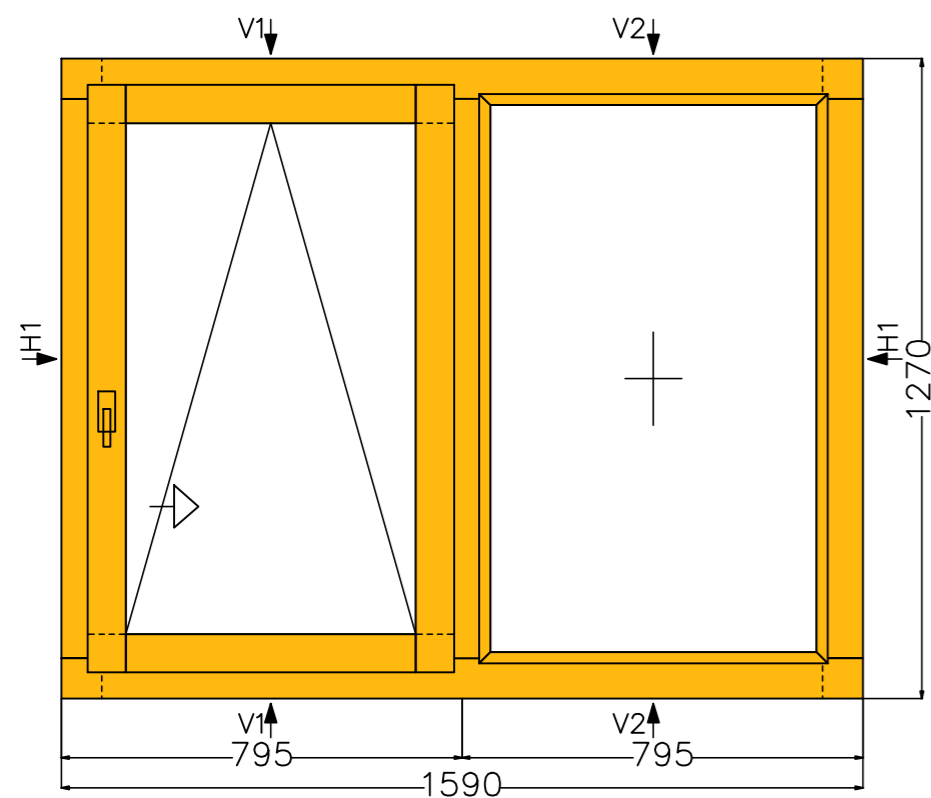
Section H1 (scale 1:2)



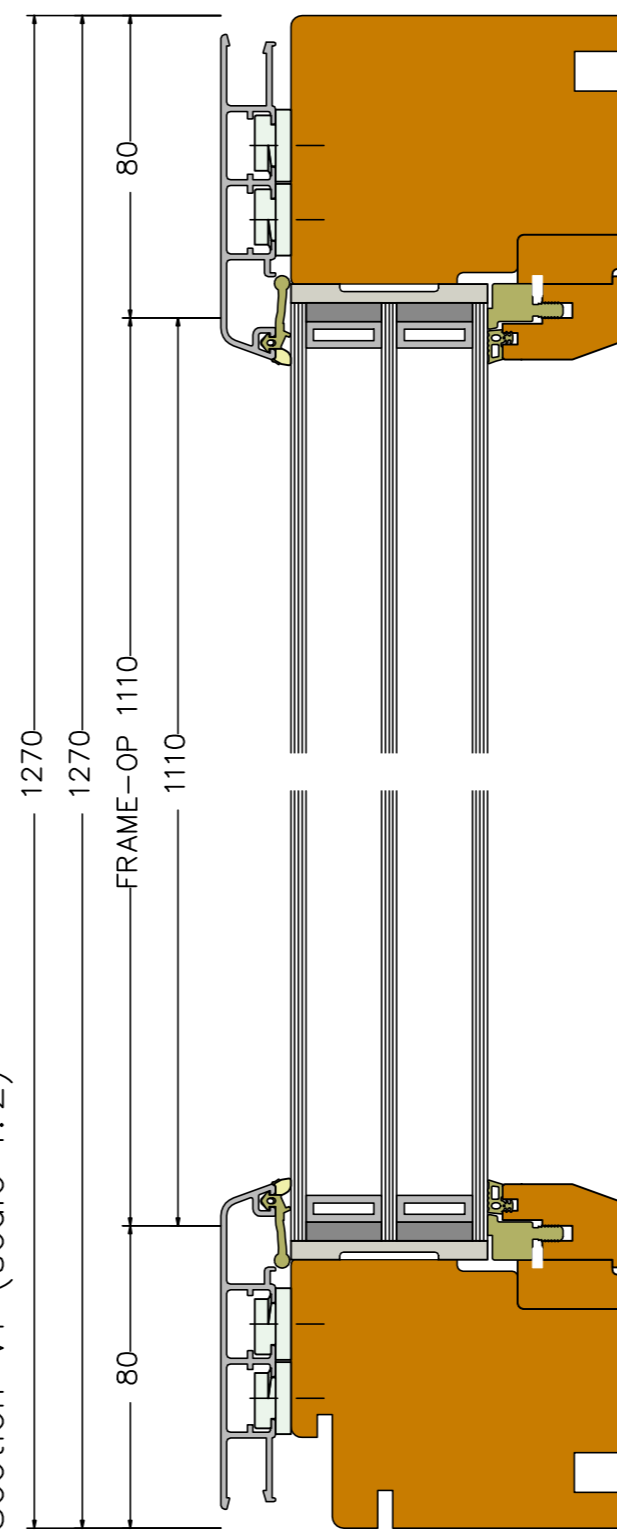
ThermaDura e-MOD Thermally Efficient Window/Door Modules	drawn	Date	Name
		30.05.2020	Rampe
Description: DesignLine e-MOD D-212 Timber-Aluminium Tilt & turn door			
		These drawings are protected by copyright and only to be used in conjunction with the supply of ThermaDura products. This drawing is an instrument of service and is provided for informational use only. © 2019 ThermaDura Ltd	



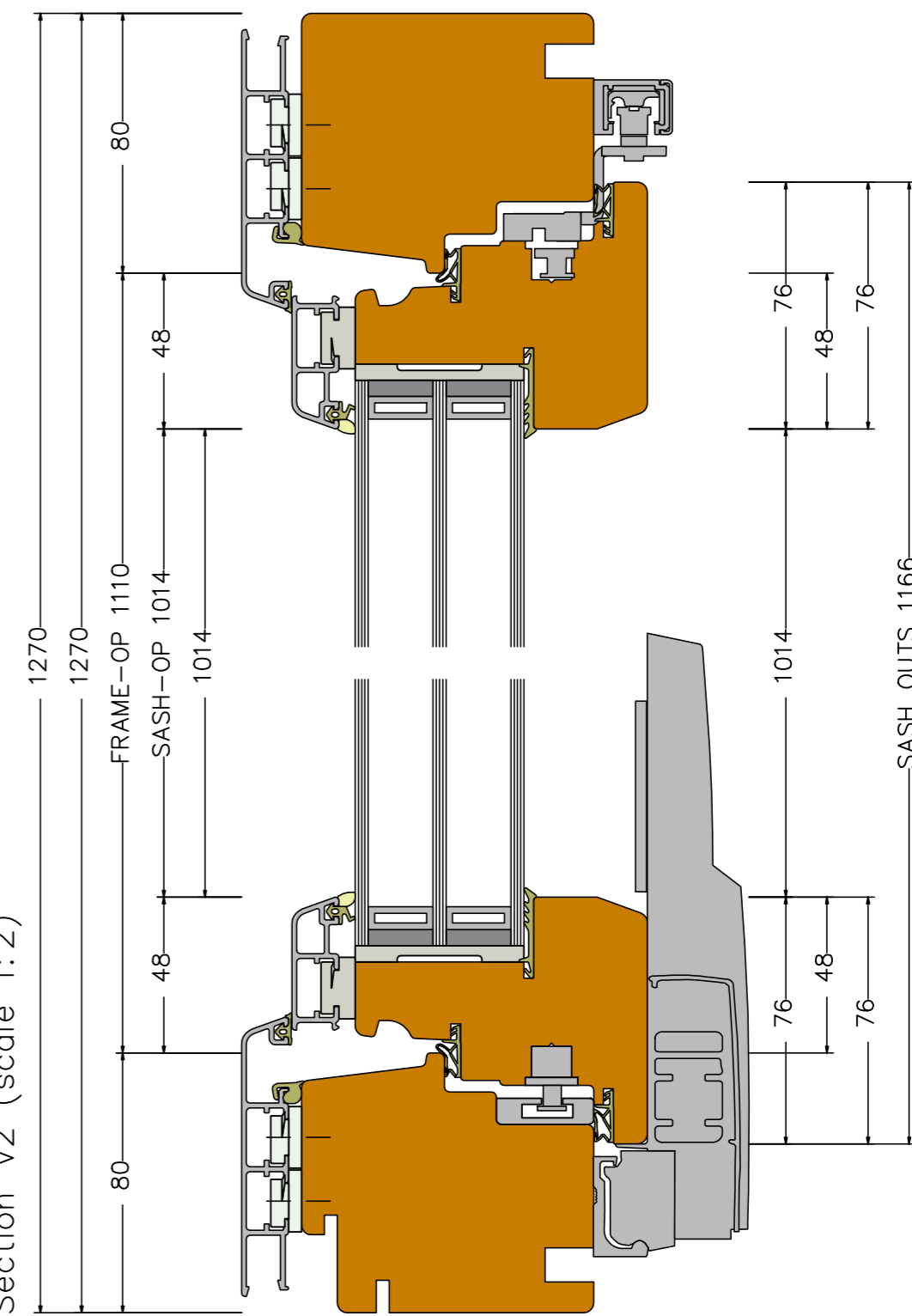
View from inside (scale 1:15)



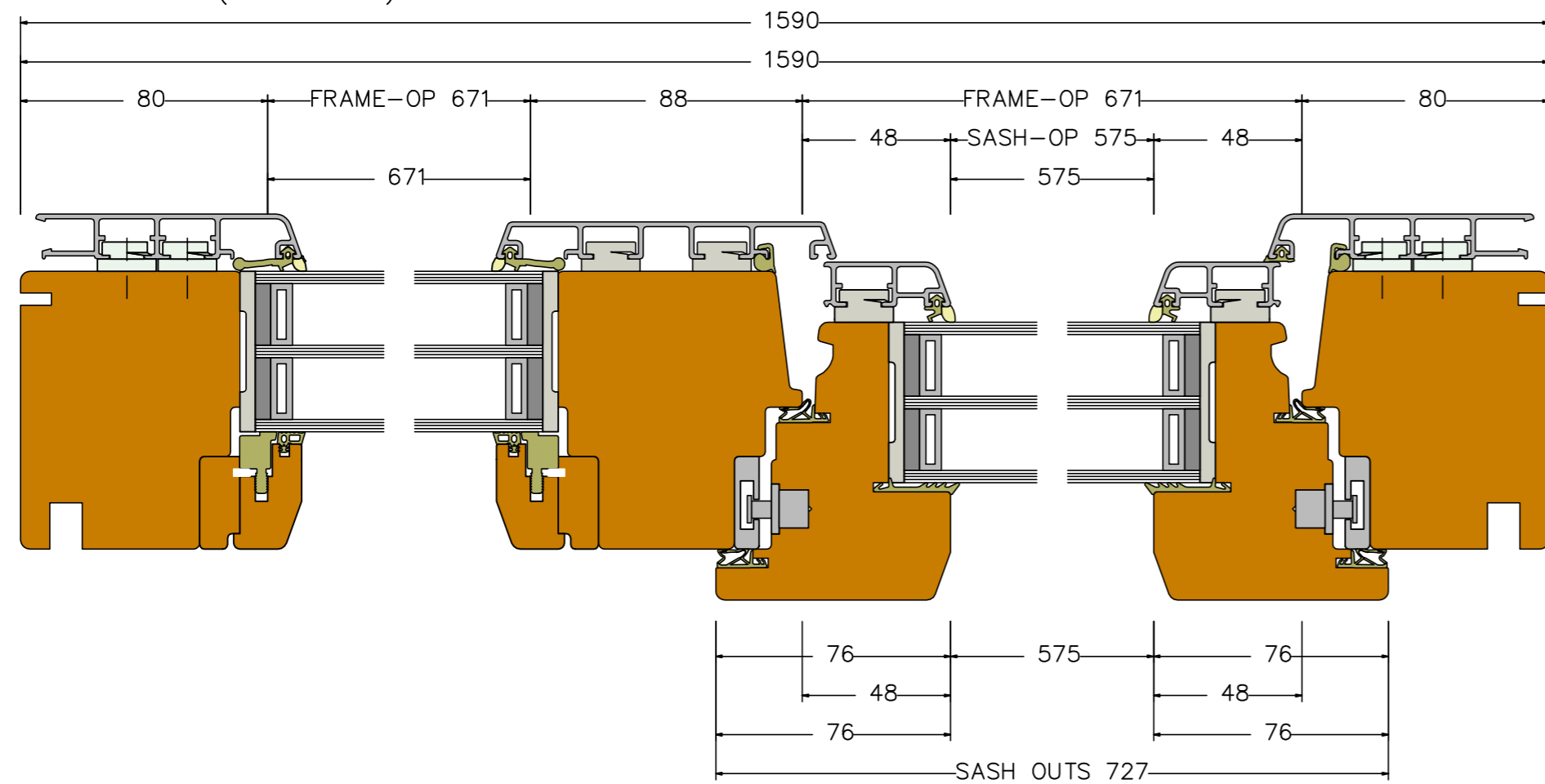
Section V1 (scale 1:2)



Section V2 (scale 1:2)

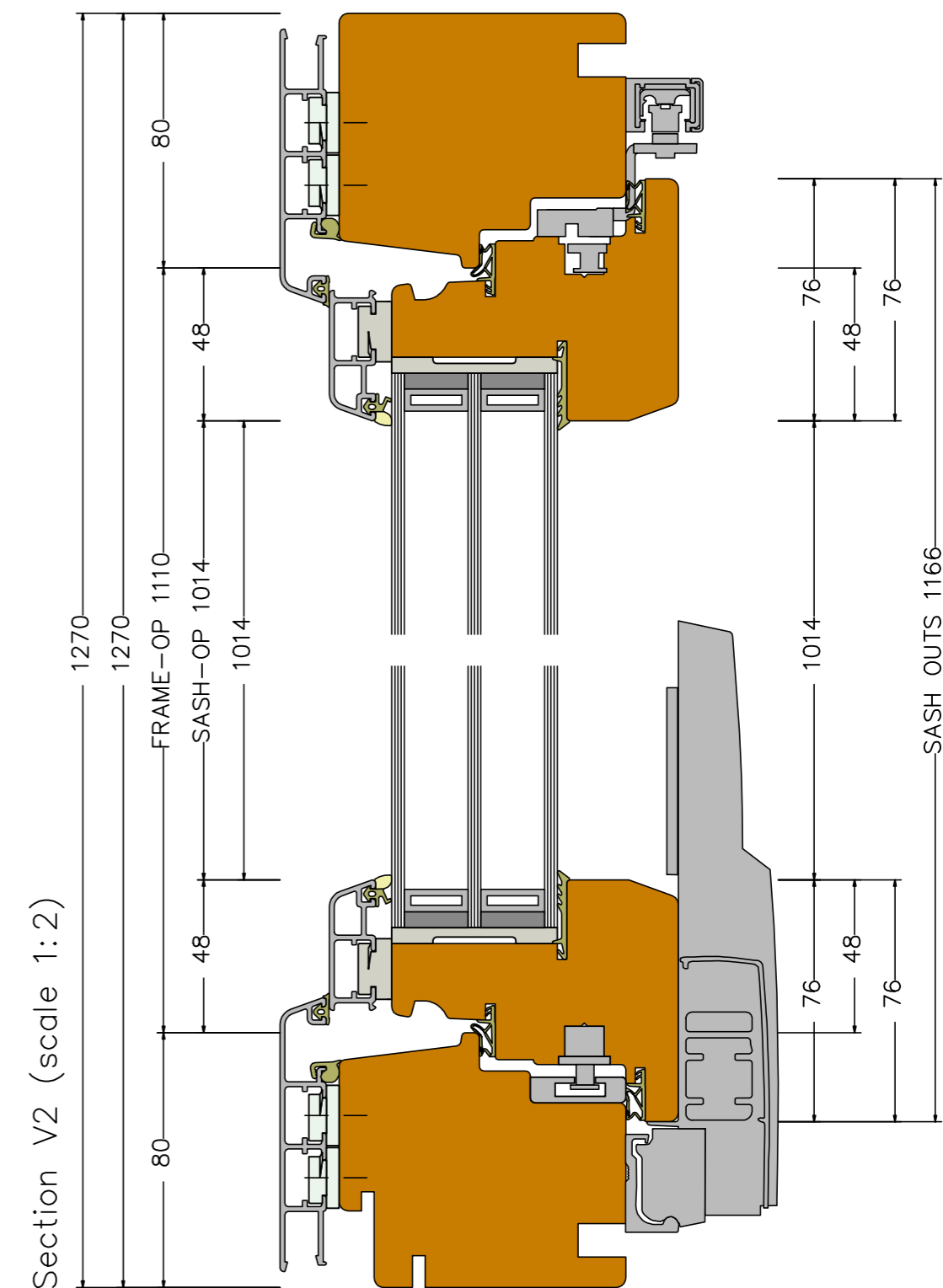
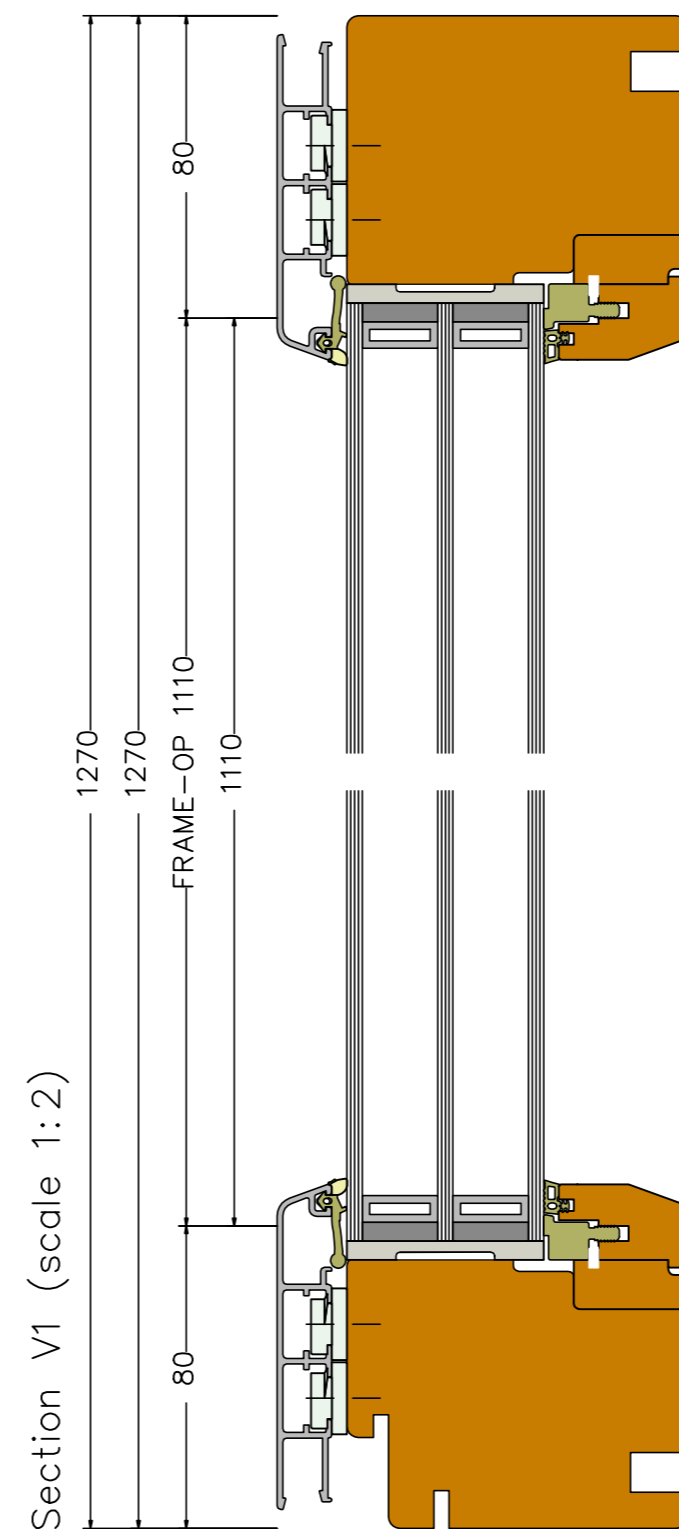
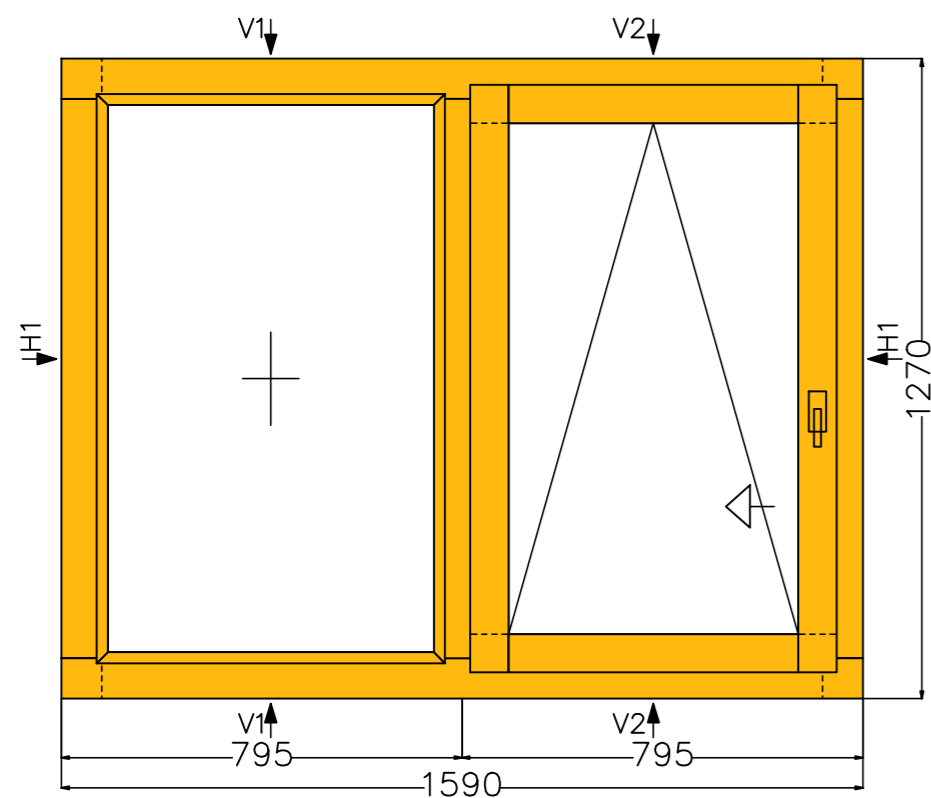


Section H1 (scale 1:2)

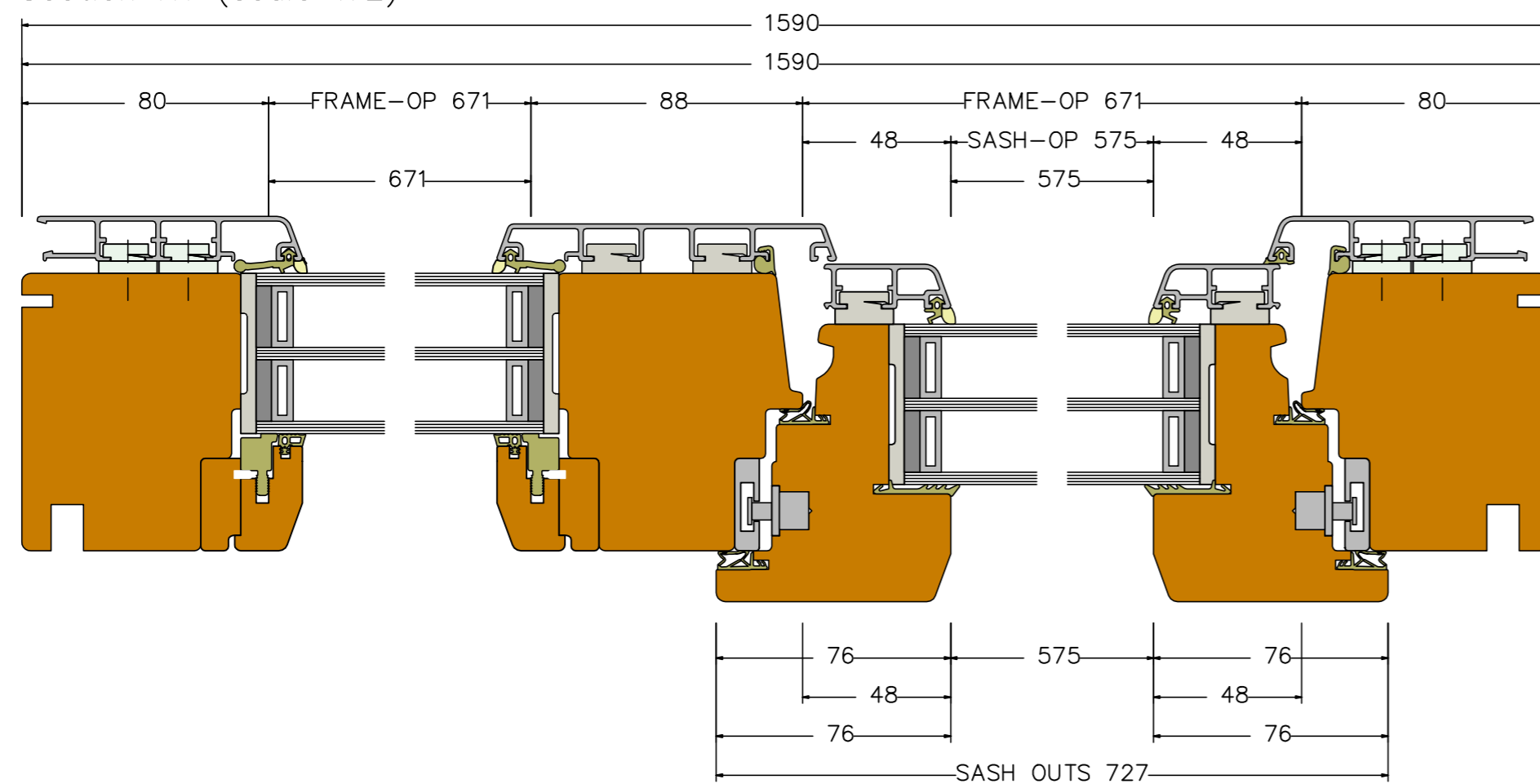


ThermaDura e-MOD Thermally Efficient Window/Door Modules	drawn	Date	Name
		03.06.2020	Rampe
Description: DesignLine e-MOD D-301 Tilt-slide window			
<b>ThermaDura</b>	These drawings are protected by copyright and only to be used in conjunction with the supply of ThermaDura products. This drawing is an instrument of service and is provided for informational use only. © 2019 ThermaDura Ltd		

View from inside (scale 1:15)



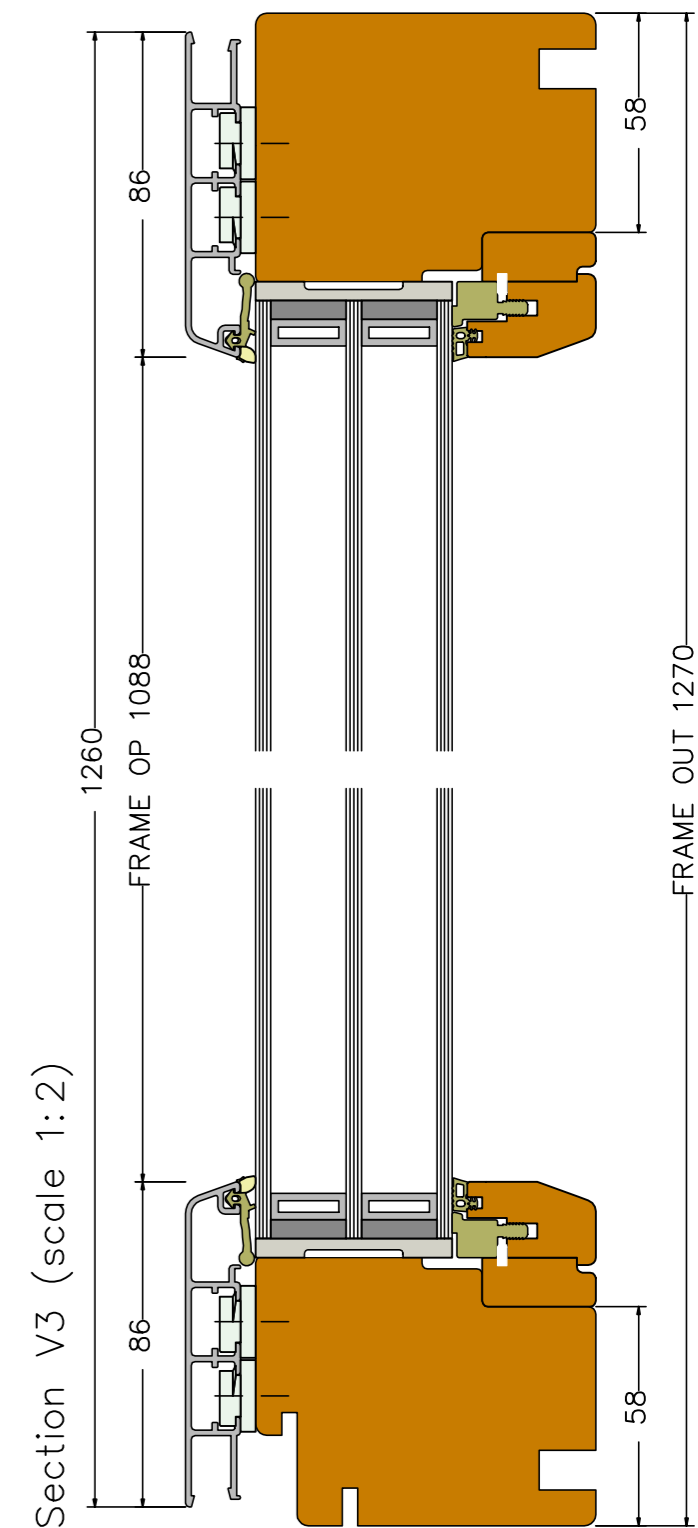
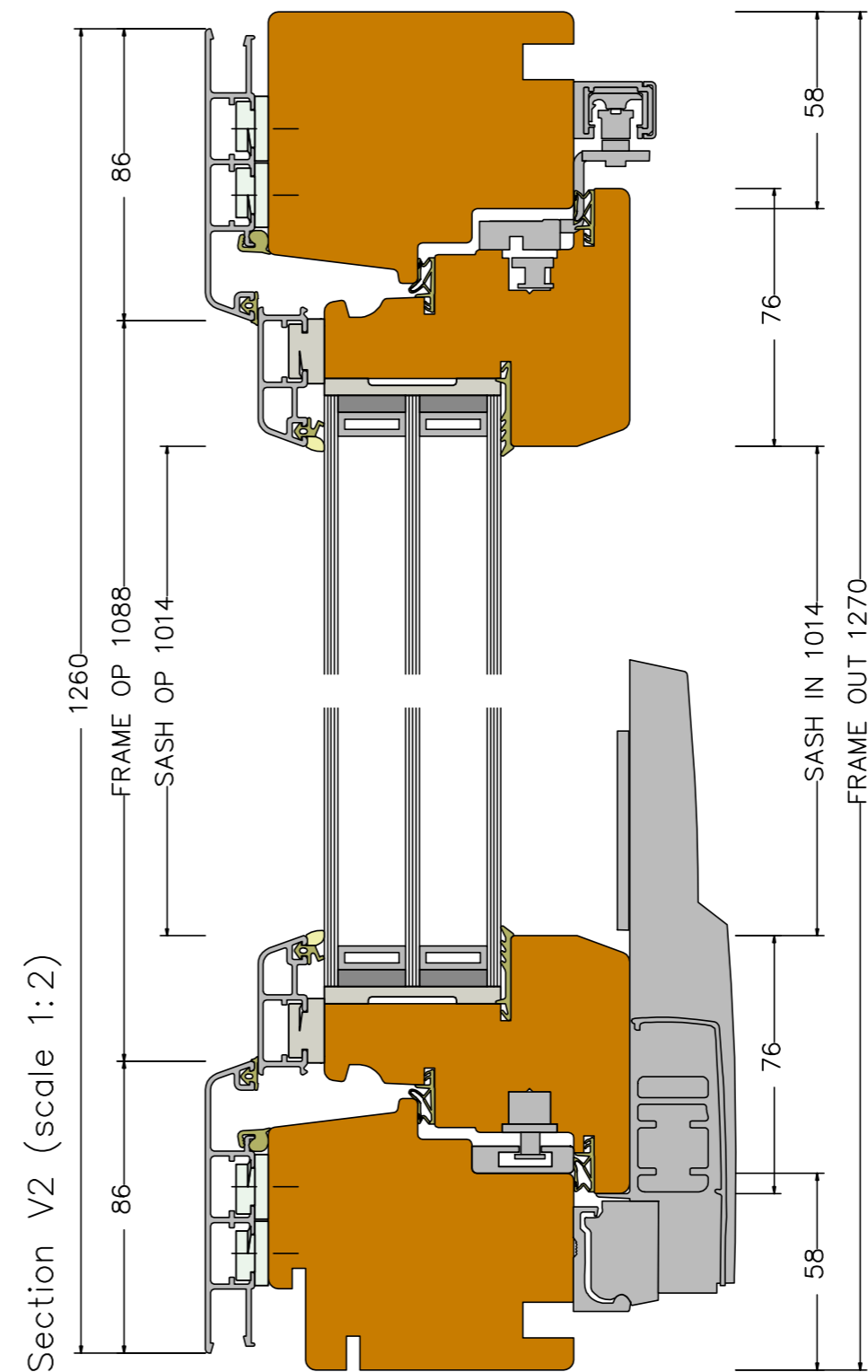
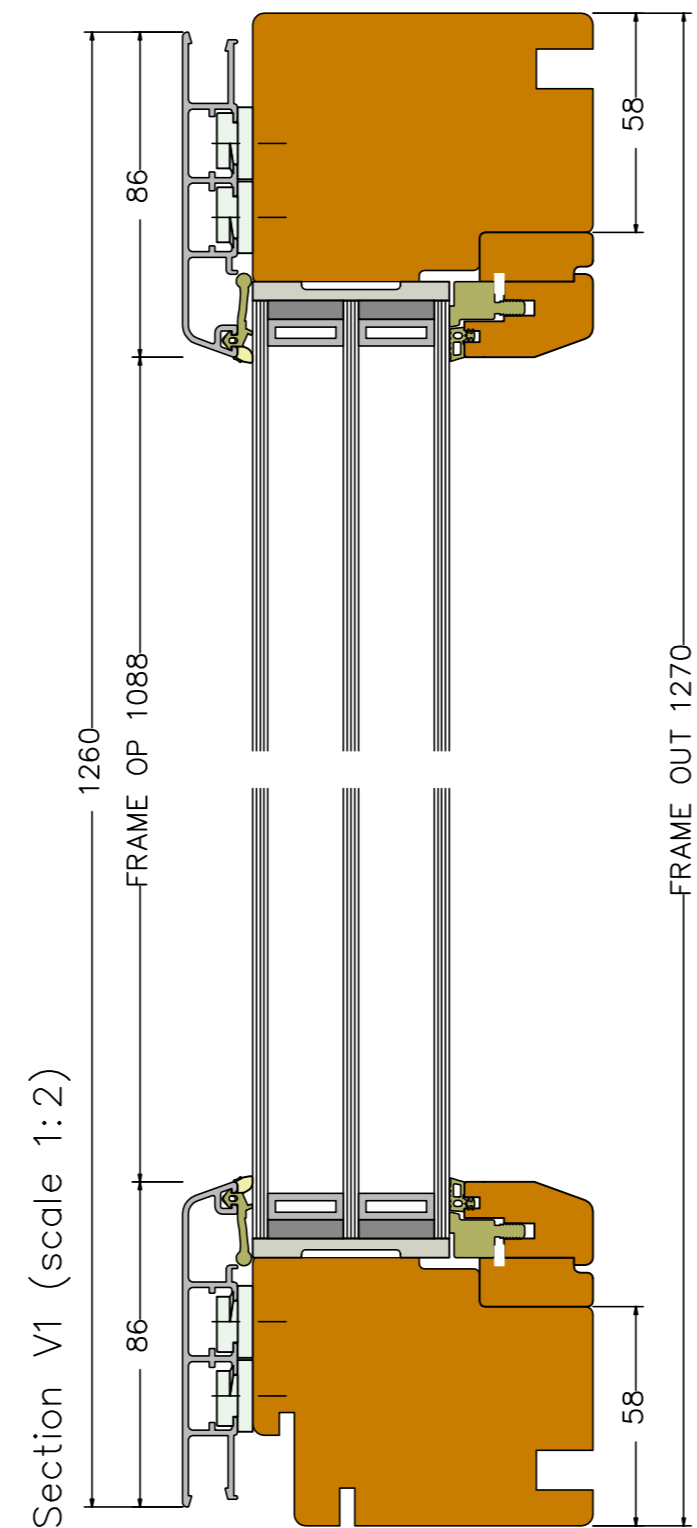
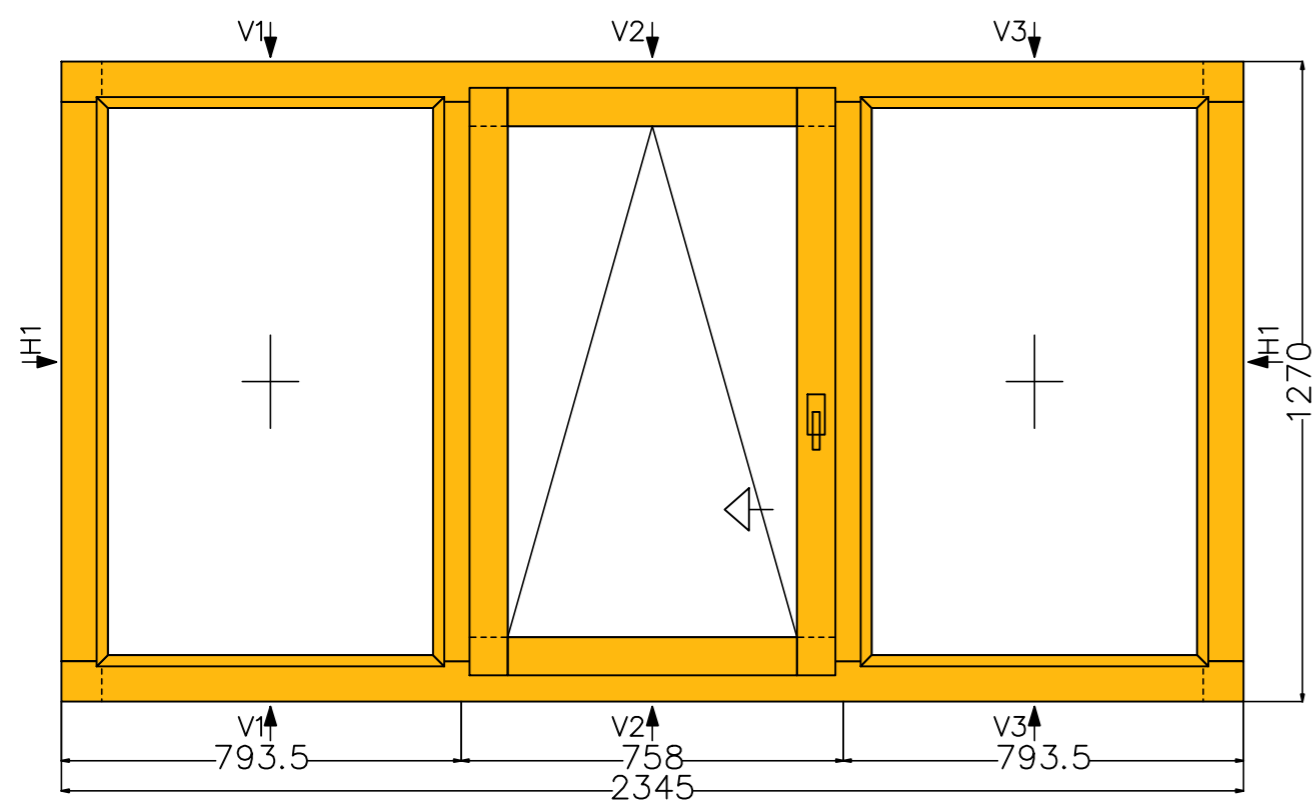
Section H1 (scale 1:2)



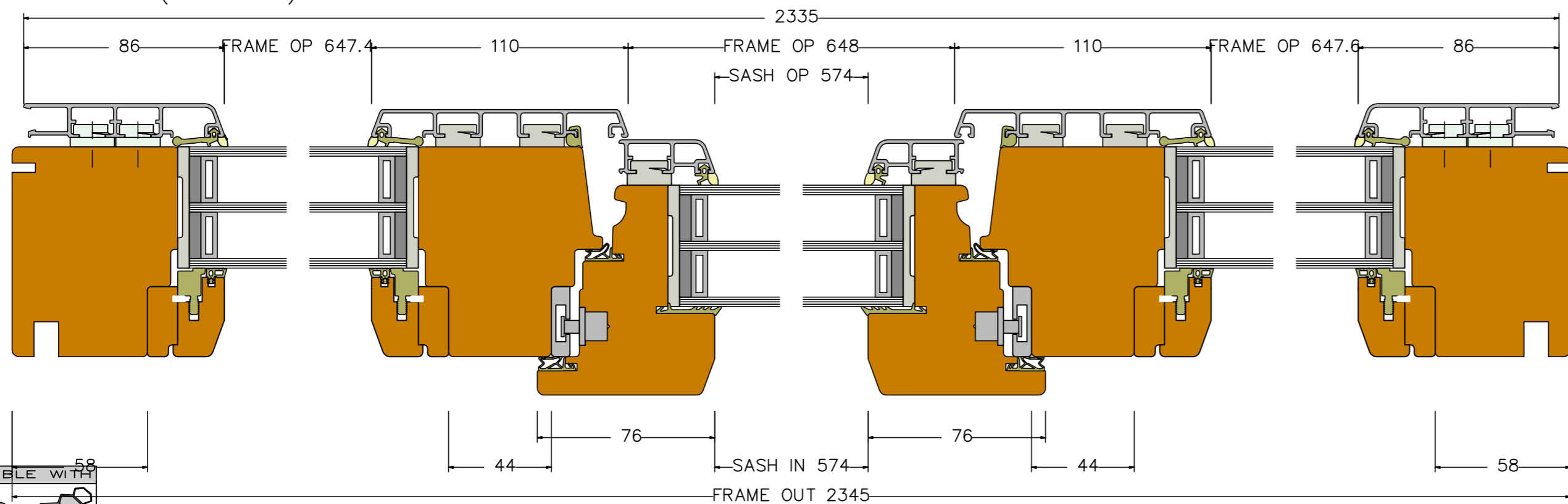
ThermaDura e-MOD Thermally Efficient Window/Door Modules	drawn	Date	Name
		03.06.2020	Rampe
Description: DesignLine e-MOD D-302 Tilt-slide window			
<b>ThermaDura</b>	These drawings are protected by copyright and only to be used in conjunction with the supply of ThermaDura products. This drawing is an instrument of service and is provided for informational use only. © 2019 ThermaDura Ltd		



View from inside (scale 1:15)

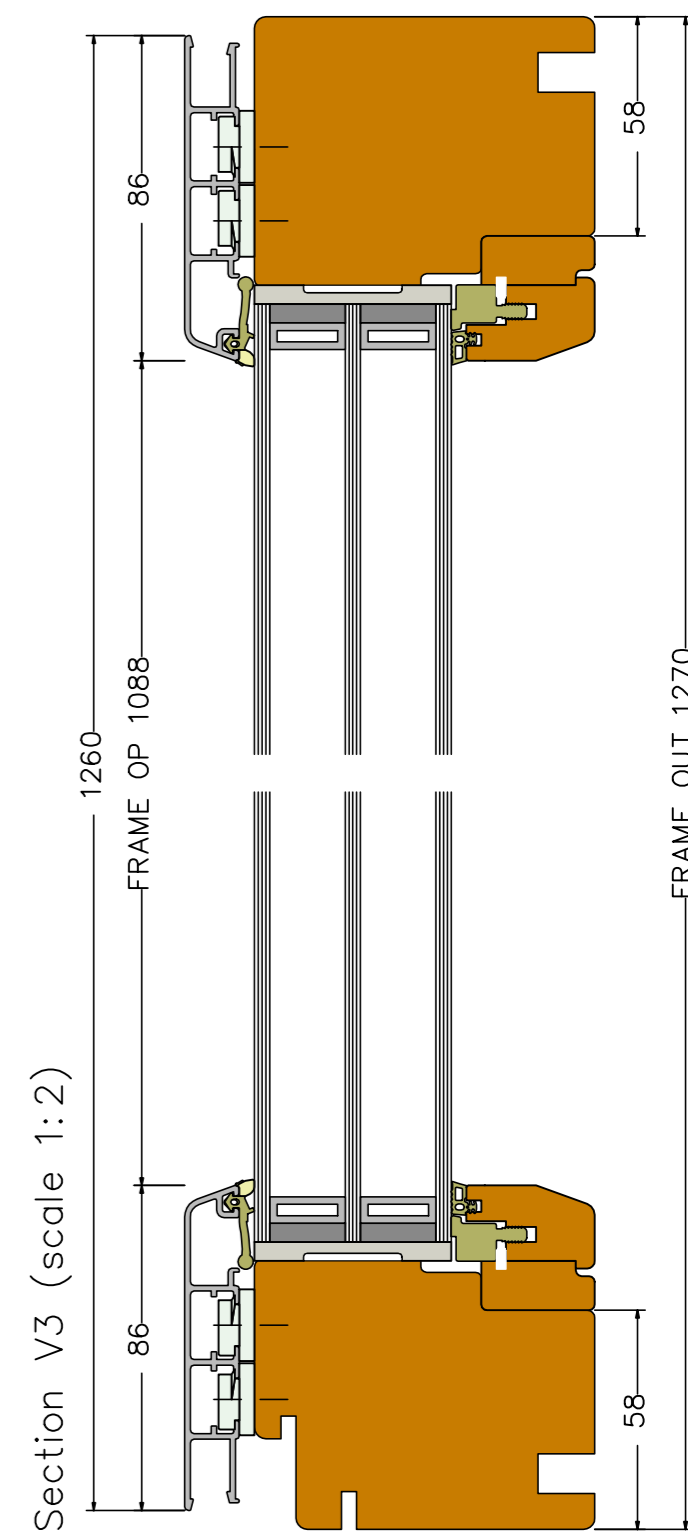
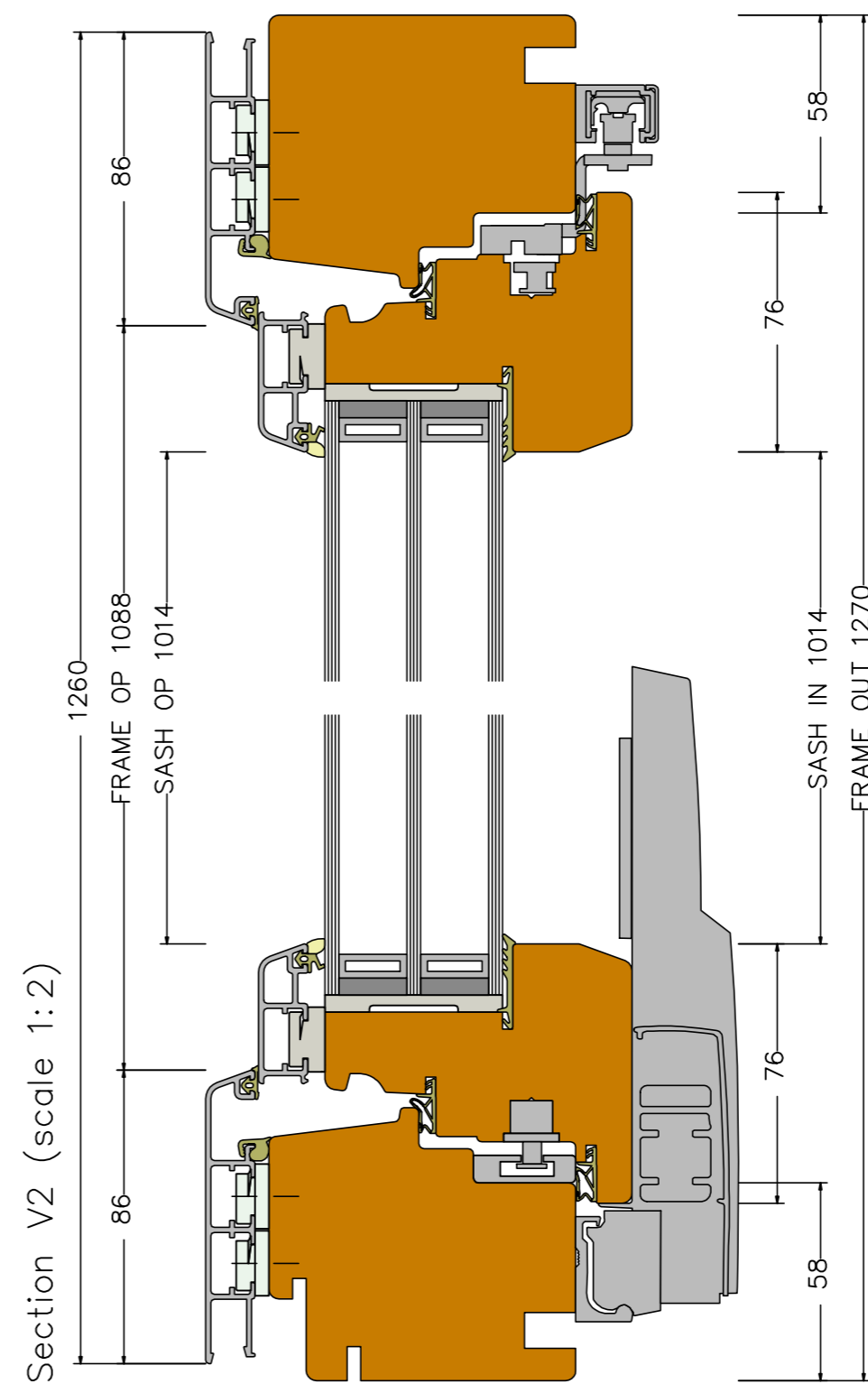
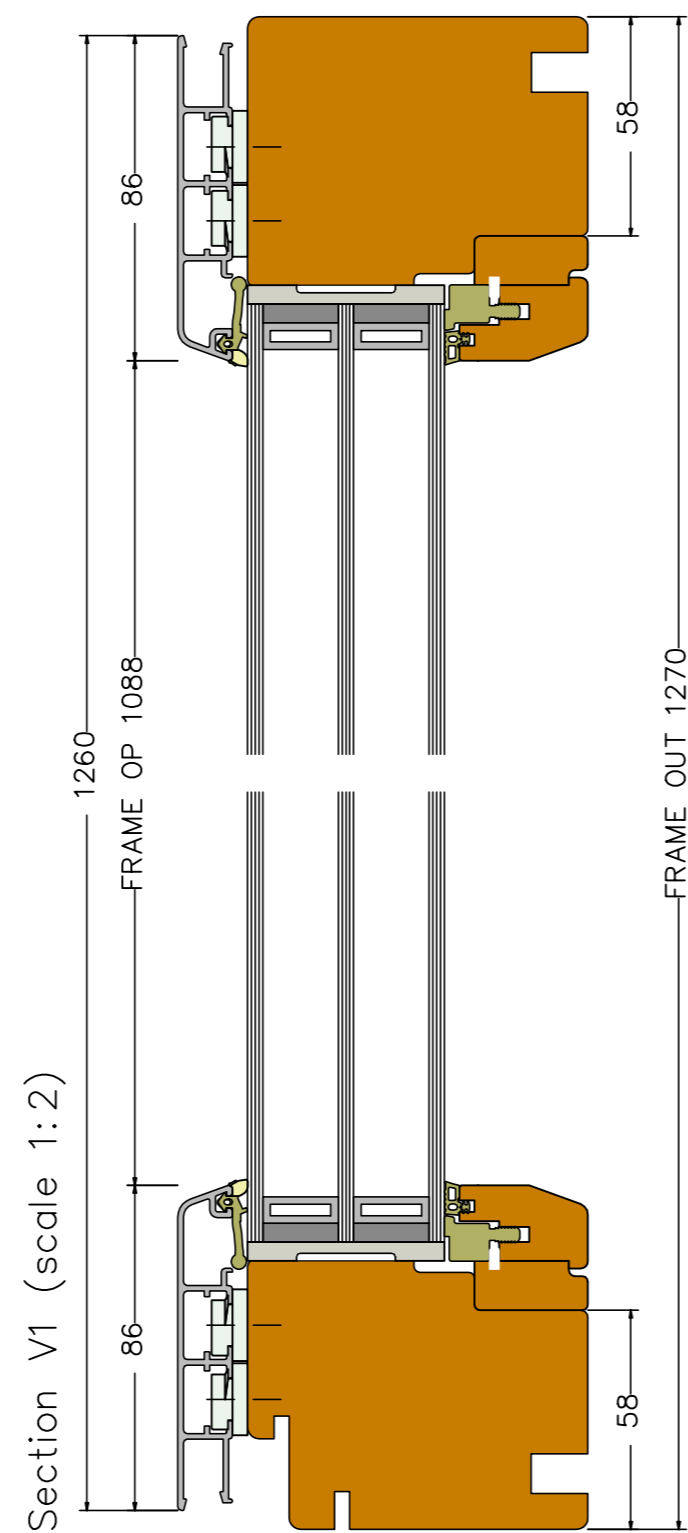
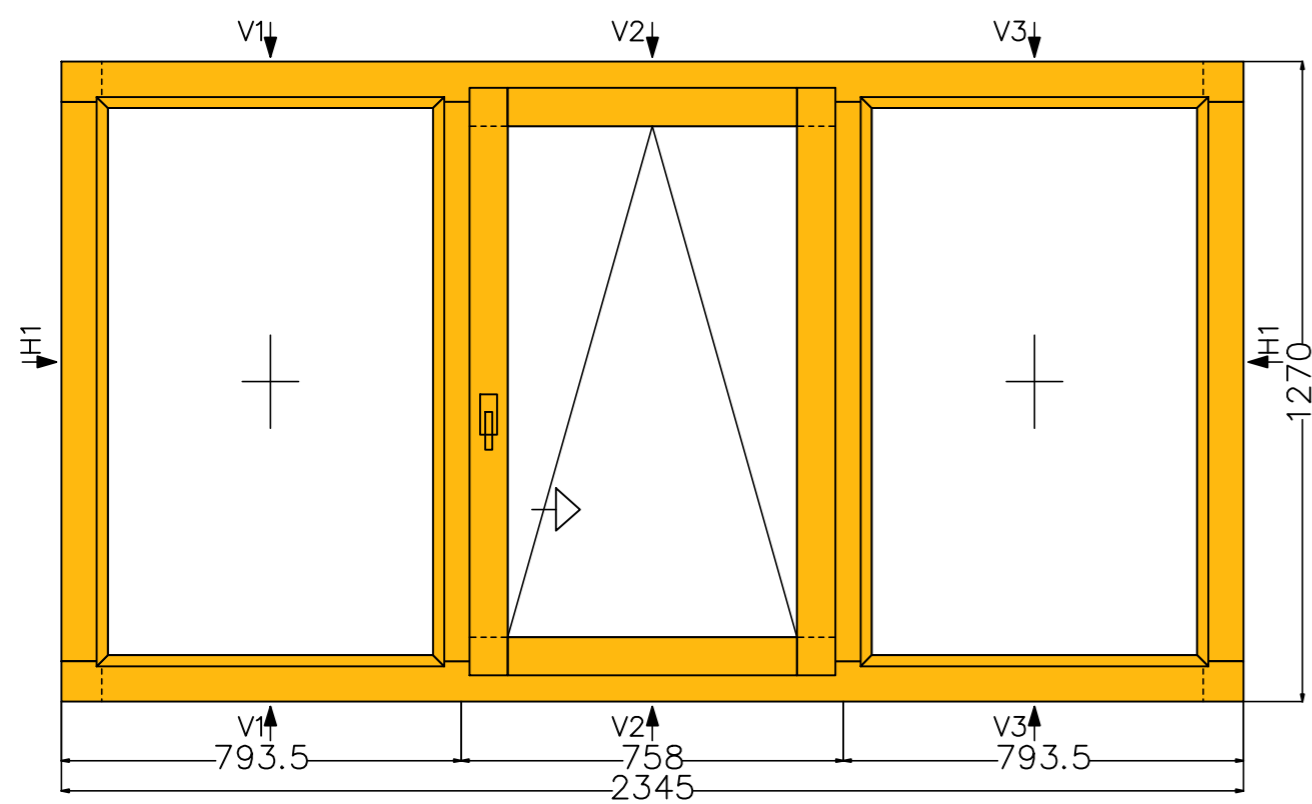


Section H1 (scale 1:2)

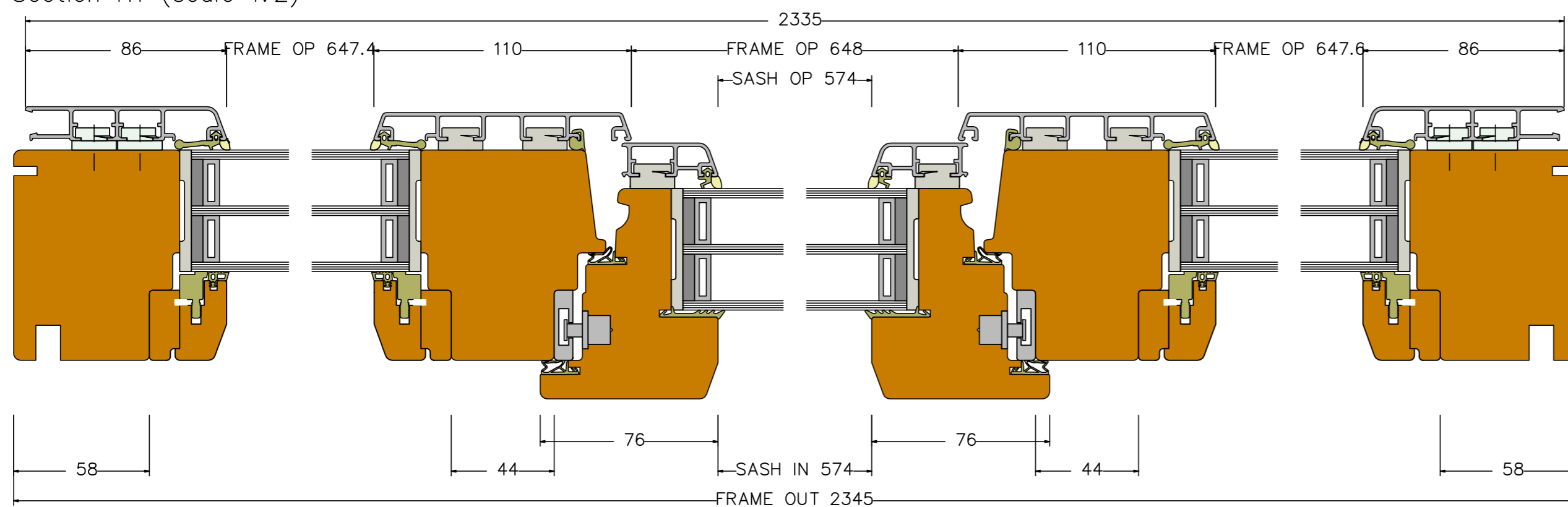


ThermaDura e-MOD Thermally Efficient Window/Door Modules	drawn	Date	Name
		30.05.2020	Rampe
Description: DesignLine e-MOD D-303 Tilt-slide window			
<b>ThermaDura</b>	These drawings are protected by copyright and only to be used in conjunction with the supply of Thermadura products. This drawing is an instrument of service and is provided for informational use only. © 2019 Thermadura Ltd		

View from inside (scale 1:15)

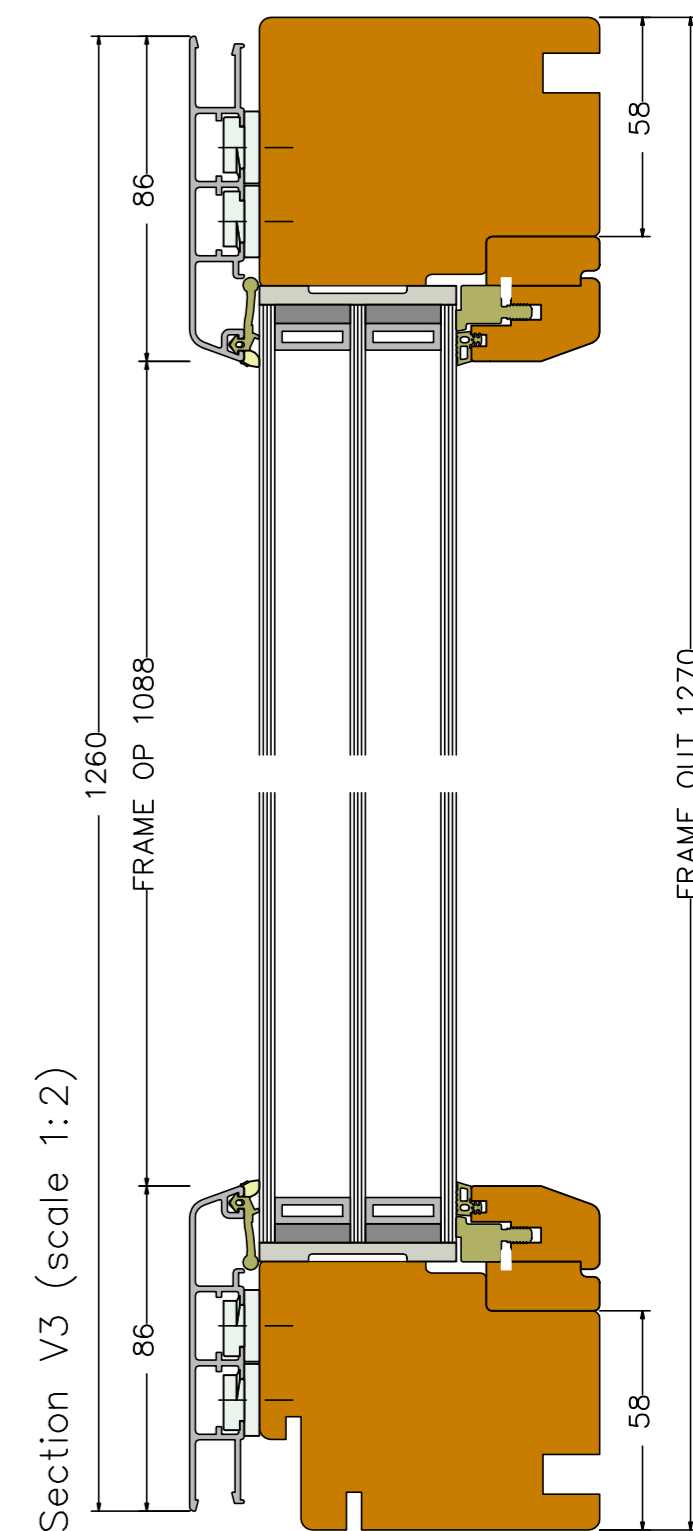
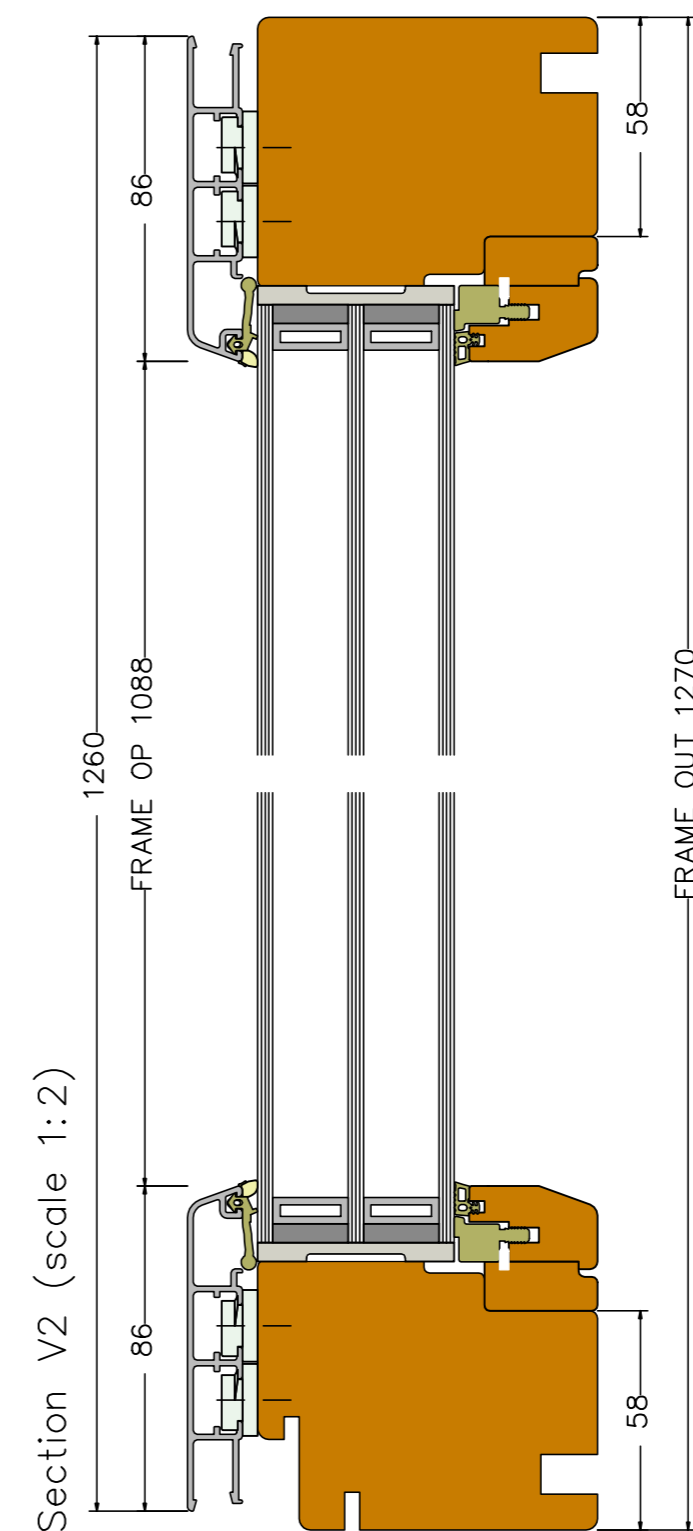
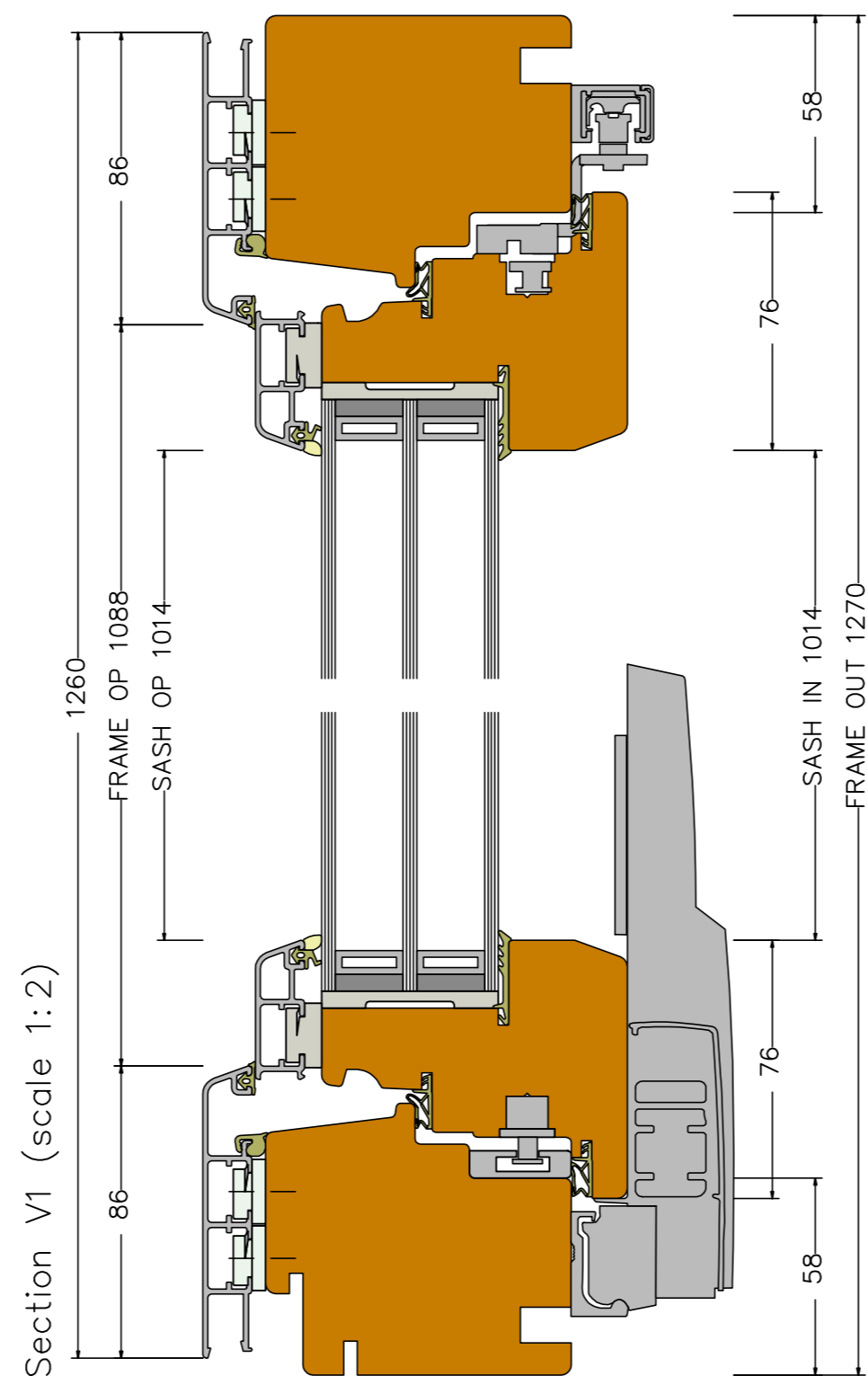
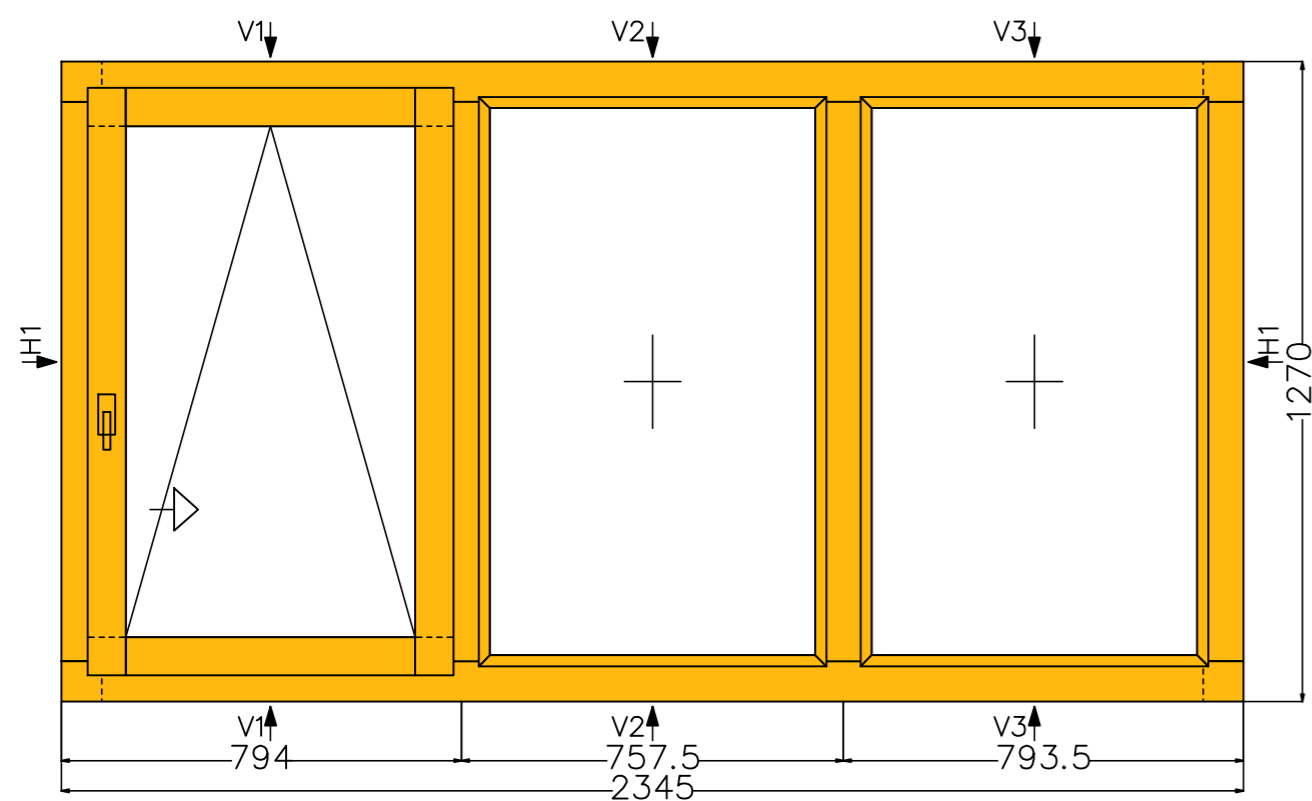


Section H1 (scale 1:2)

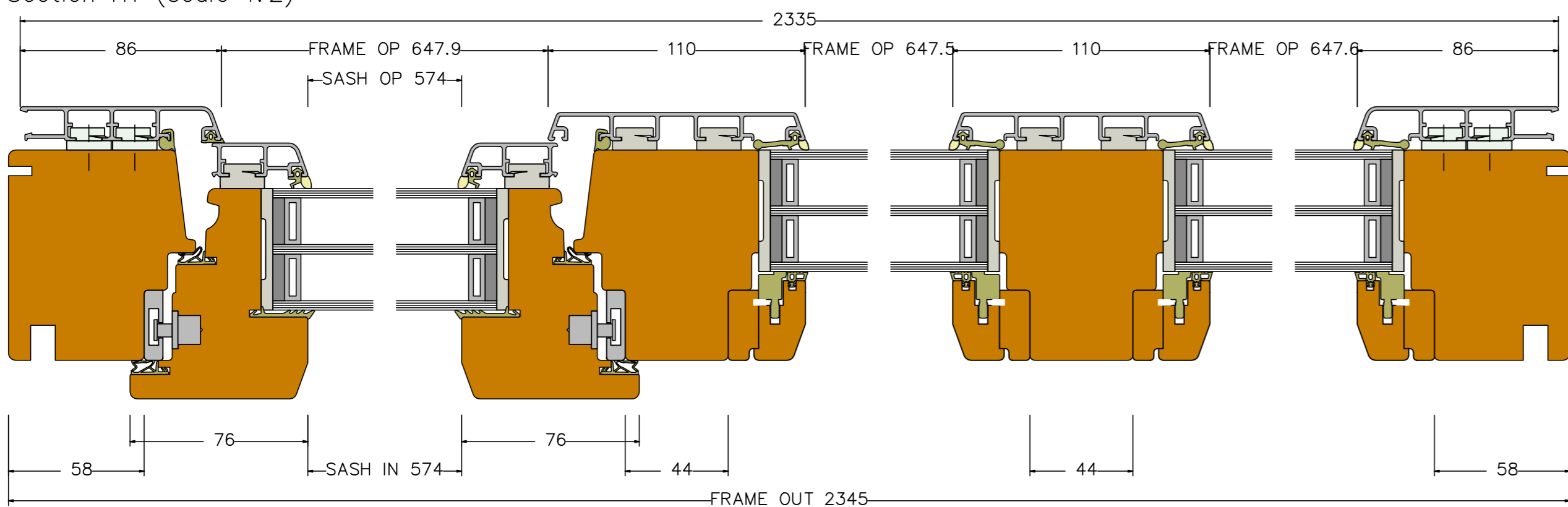


ThermaDura e-MOD Thermally Efficient Window/Door Modules	drawn	Date	Name
		30.05.2020	Rampe
Description: DesignLine e-MOD D-304 Tilt-slide window			
<b>ThermaDura</b>	These drawings are protected by copyright and only to be used in conjunction with the supply of Thermadura products. This drawing is an instrument of service and is provided for informational use only. © 2019 Thermadura Ltd		

View from inside (scale 1:15)

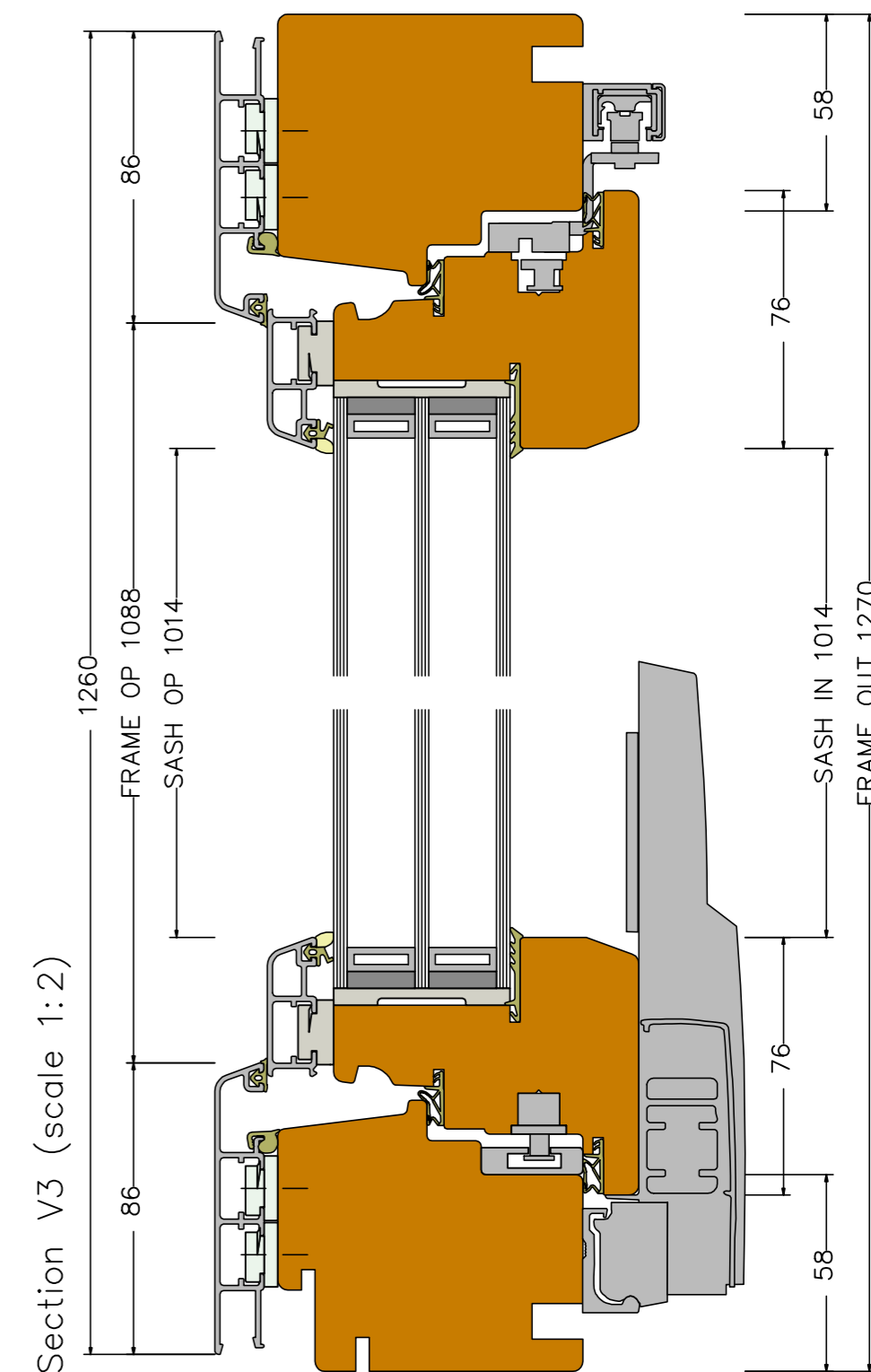
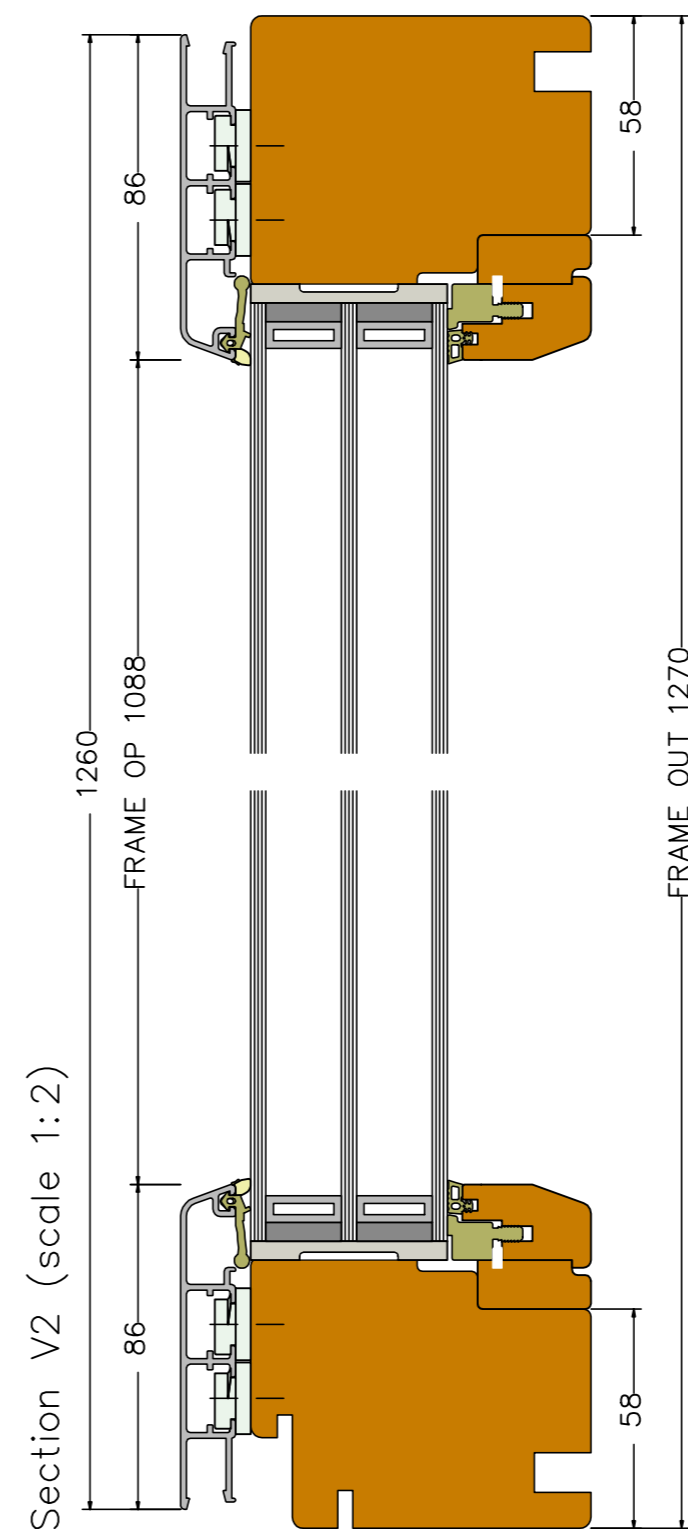
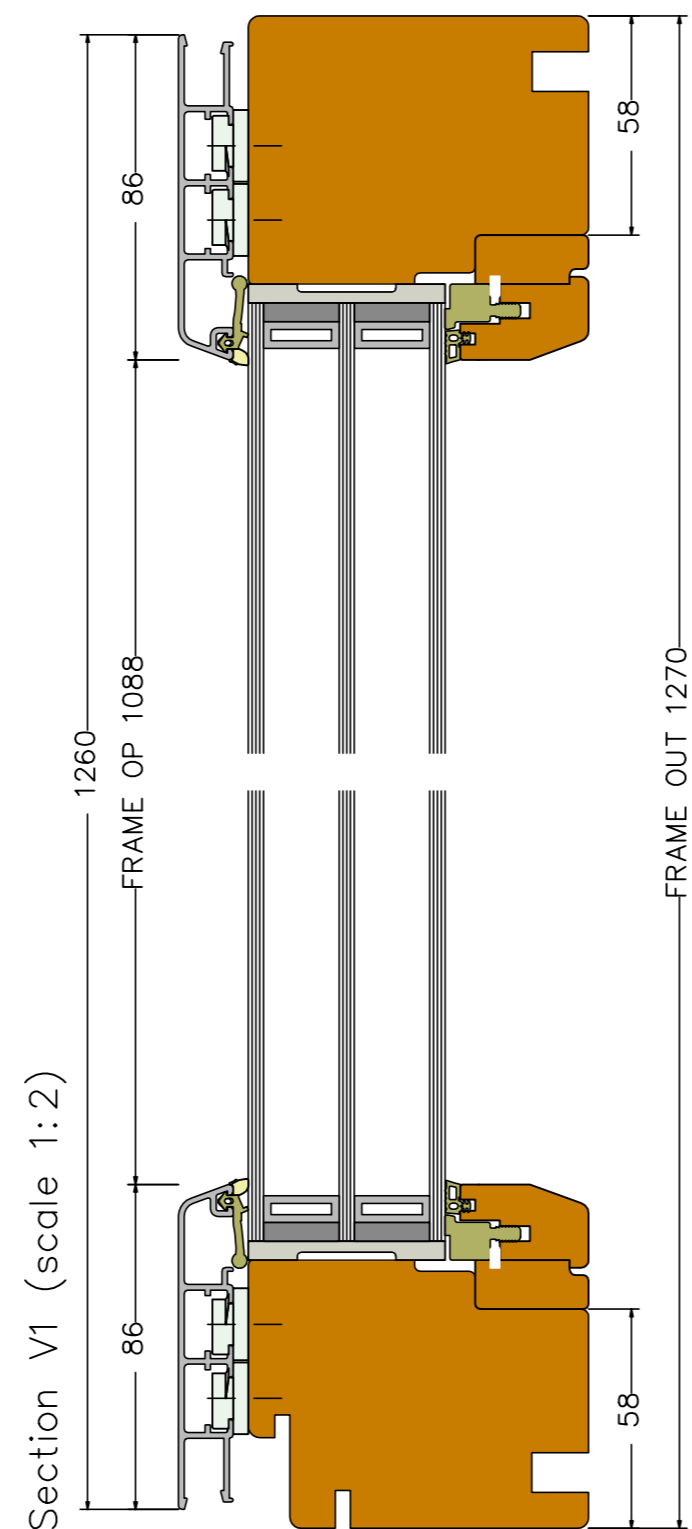
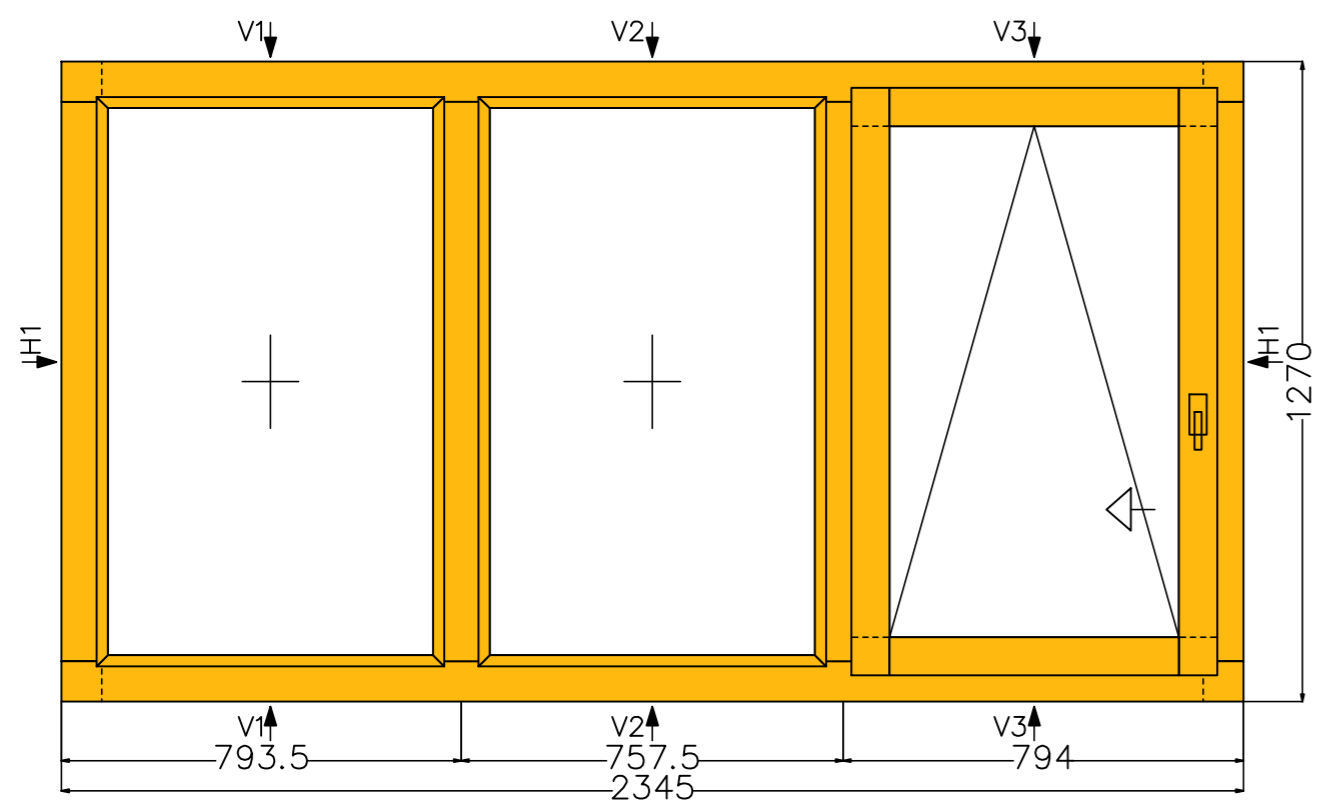


Section H1 (scale 1:2)

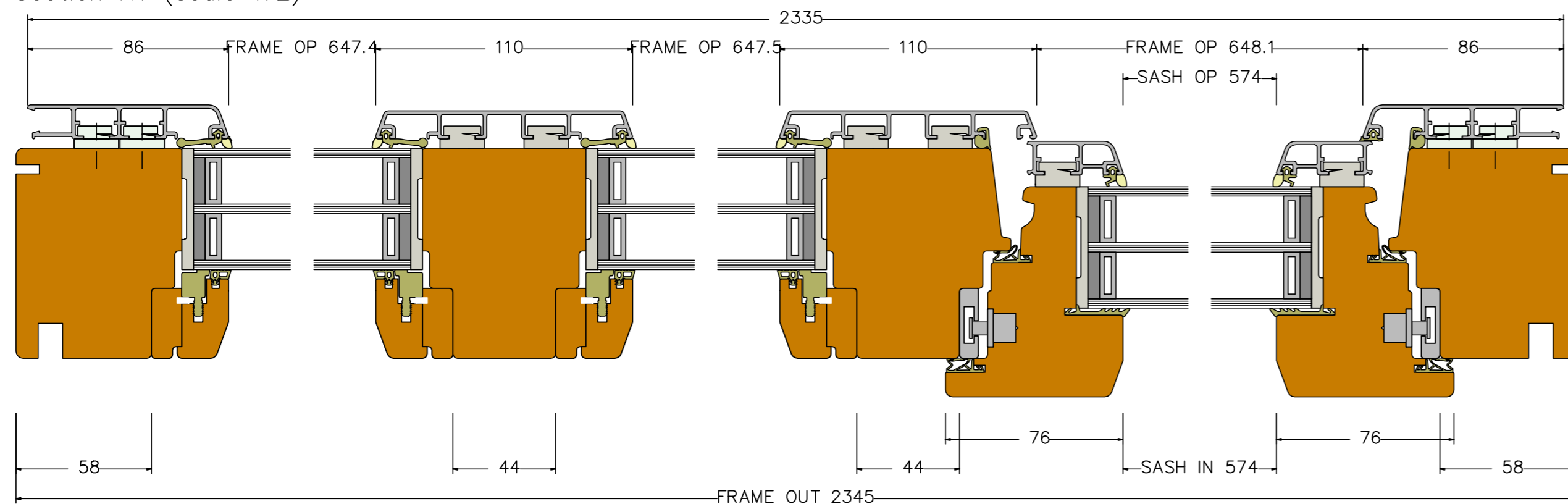


ThermaDura e-MOD Thermally Efficient Window/Door Modules	drawn	Date	Name
		30.05.2020	Rampe
Description: DesignLine e-MOD D-305 Tilt-slide window			
<b>ThermaDura</b>	These drawings are protected by copyright and only to be used in conjunction with the supply of ThermaDura products. This drawing is an instrument of service and is provided for informational use only. © 2019 ThermaDura Ltd		

View from inside (scale 1:15)

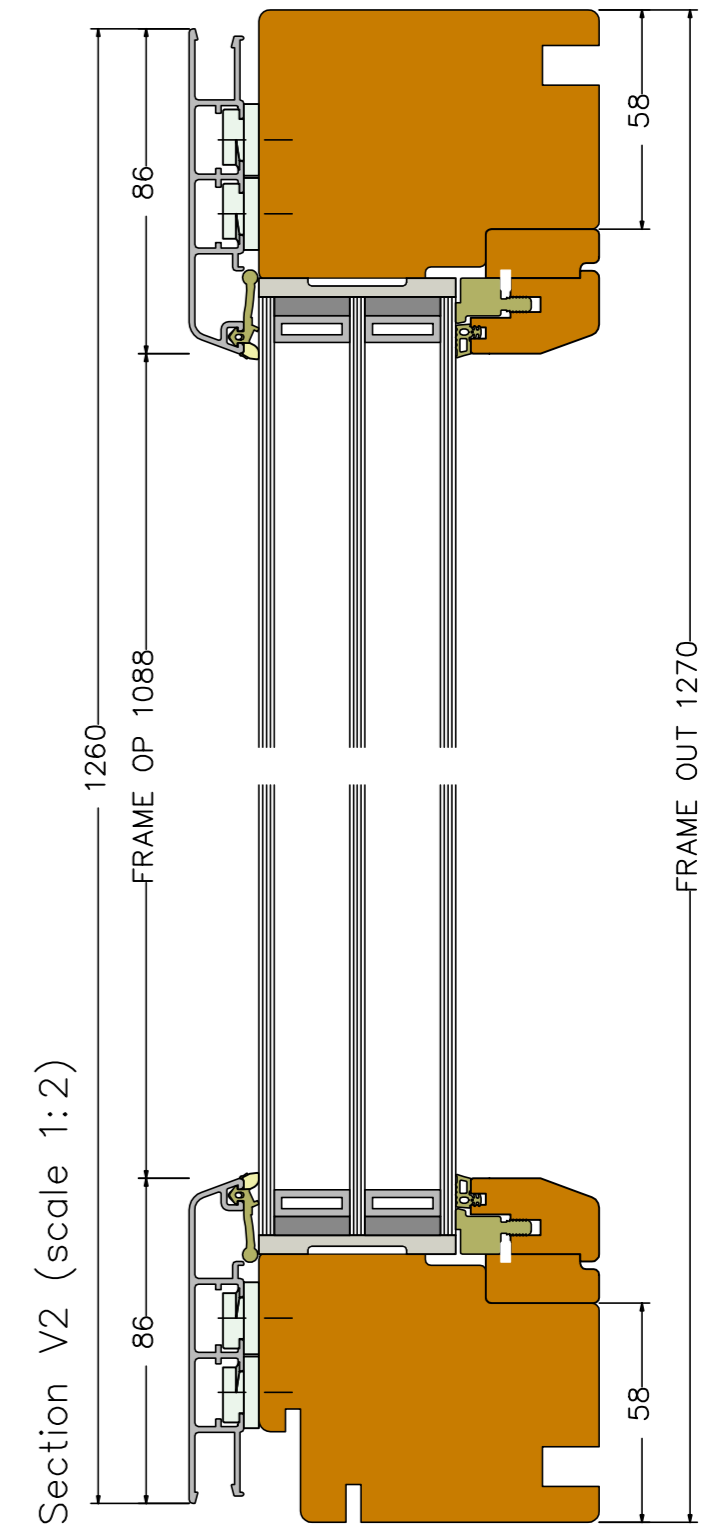
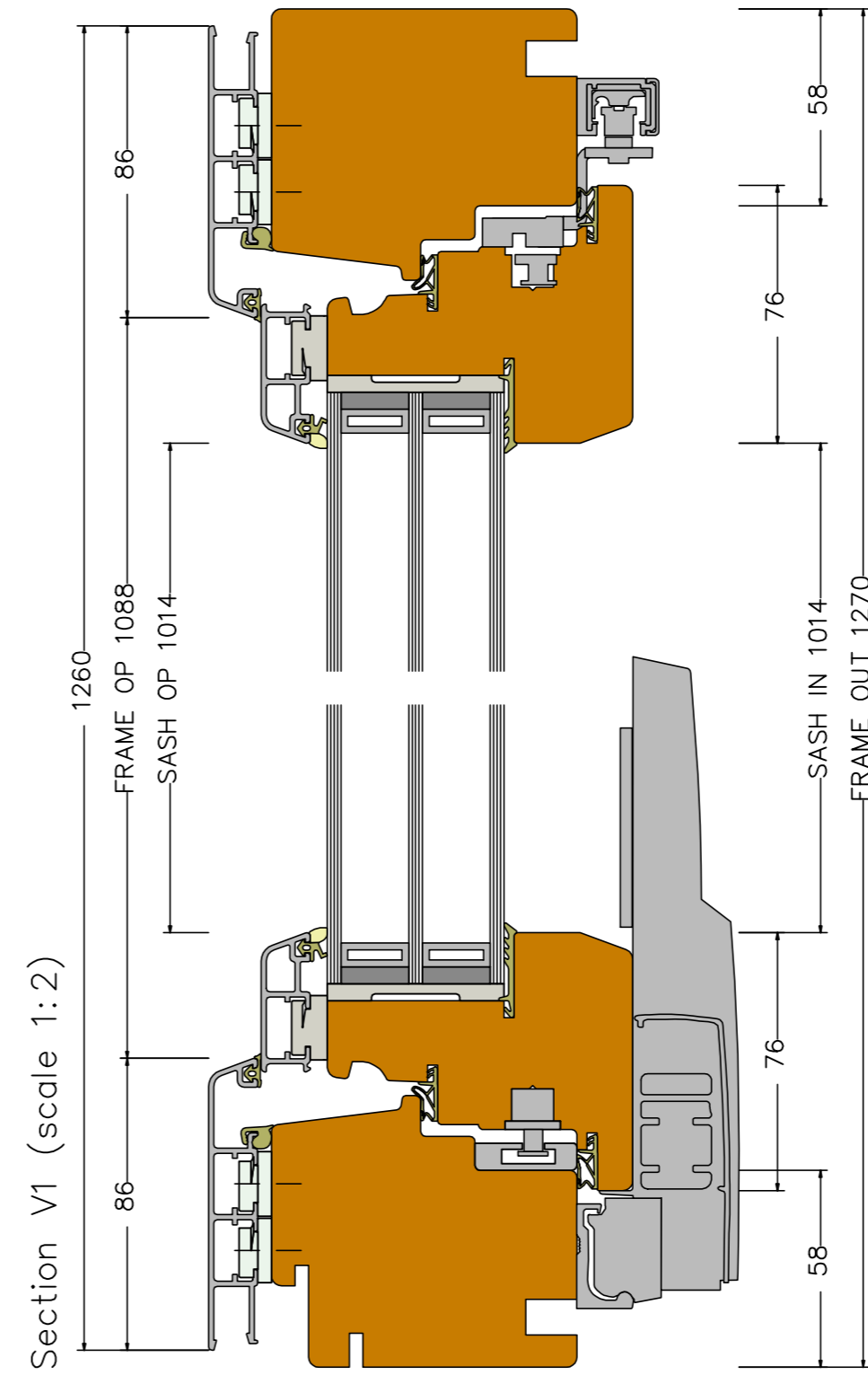
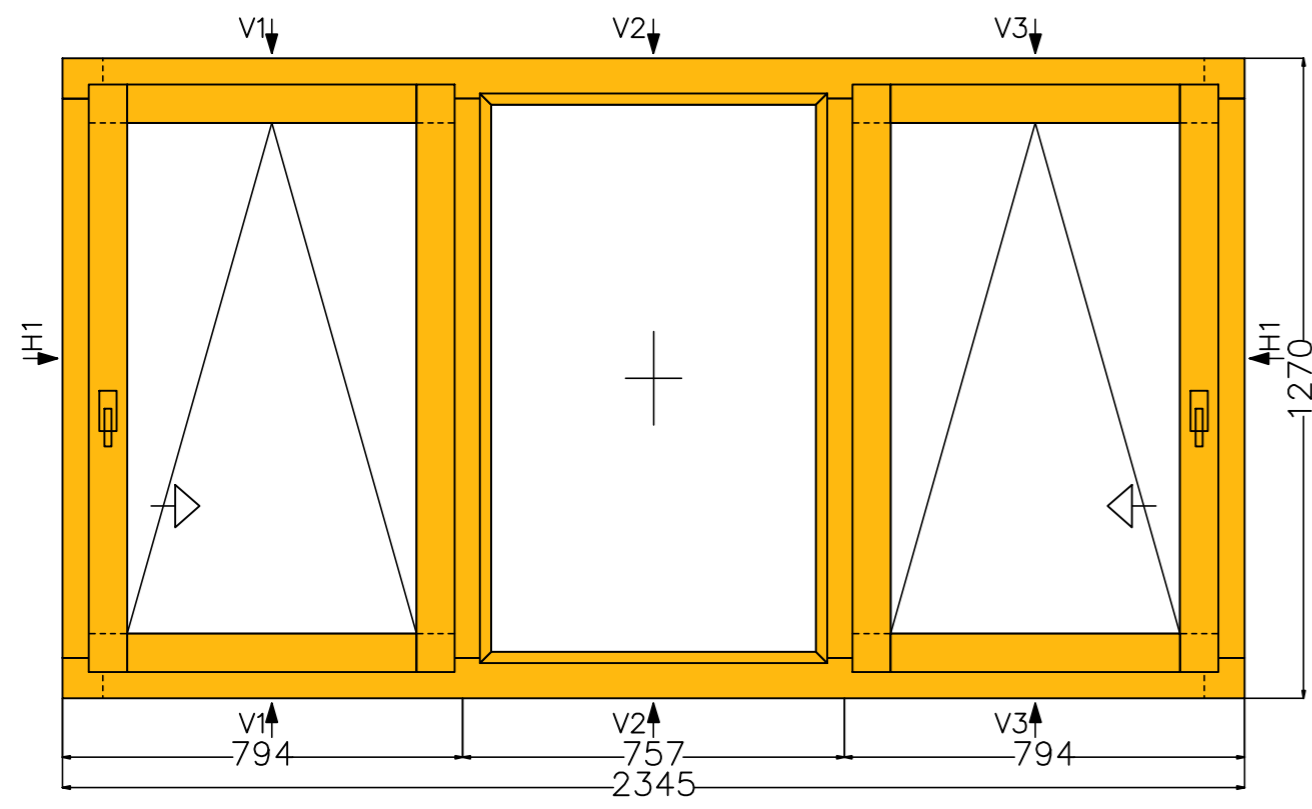


Section H1 (scale 1:2)

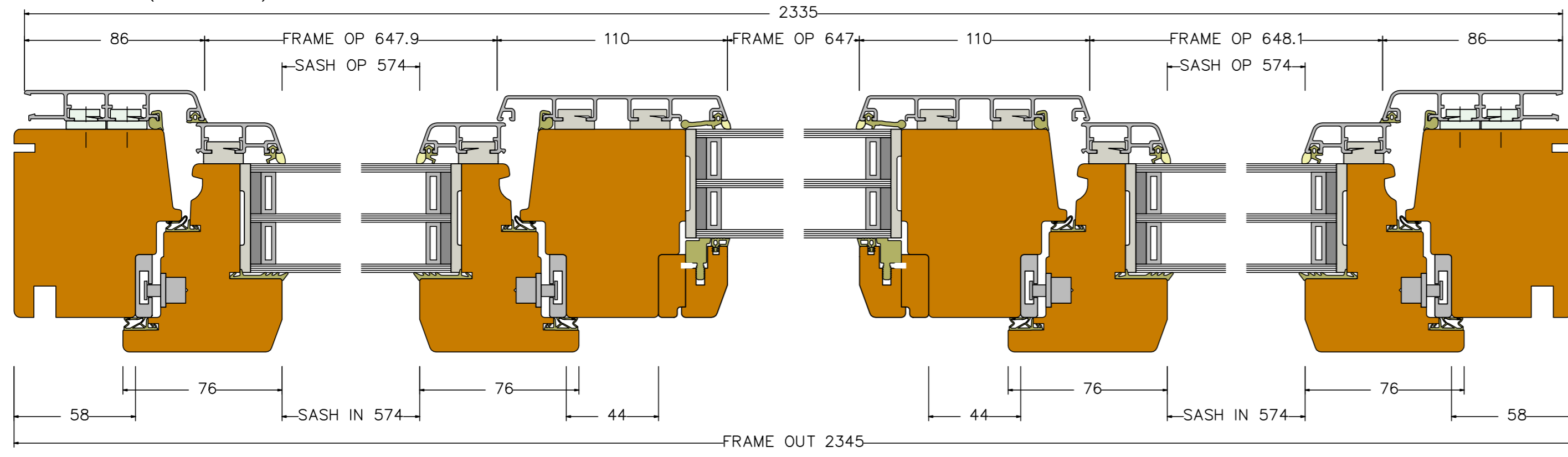


ThermaDura e-MOD Thermally Efficient Window/Door Modules	drawn	Date	Name
		30.05.2020	Rampe
Description: DesignLine e-MOD D-306 Tilt-slide window			
<b>ThermaDura</b>	These drawings are protected by copyright and only to be used in conjunction with the supply of ThermaDura products. This drawing is an instrument of service and is provided for informational use only. © 2019 ThermaDura Ltd		

View from inside (scale 1:15)

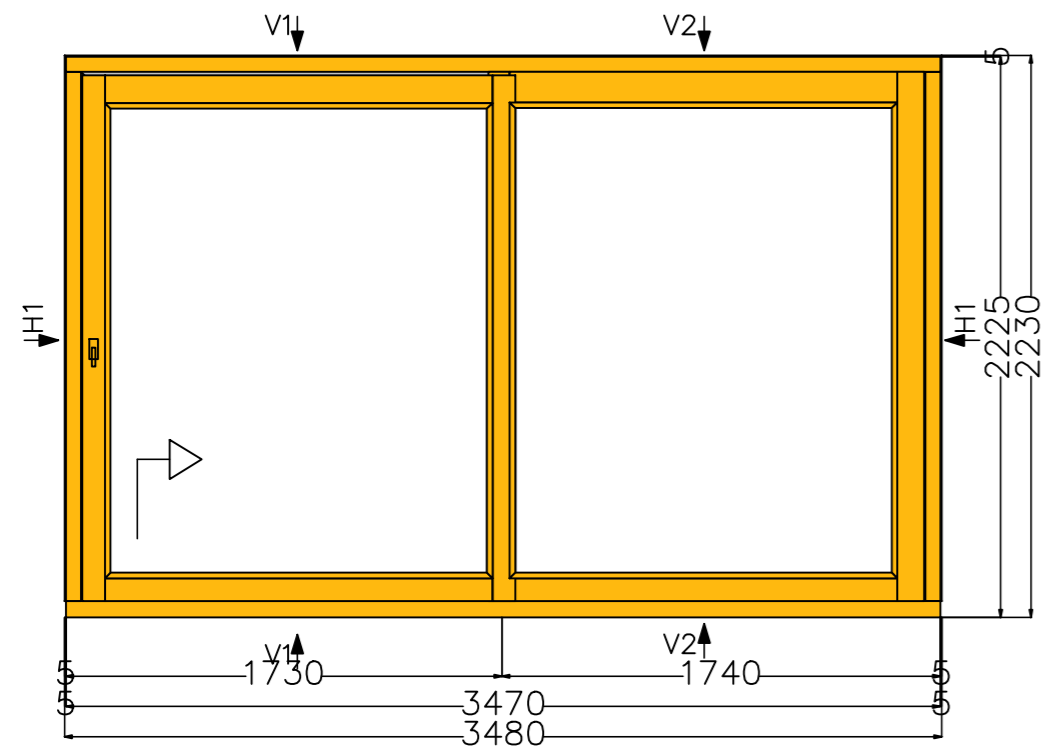


Section H1 (scale 1:2)

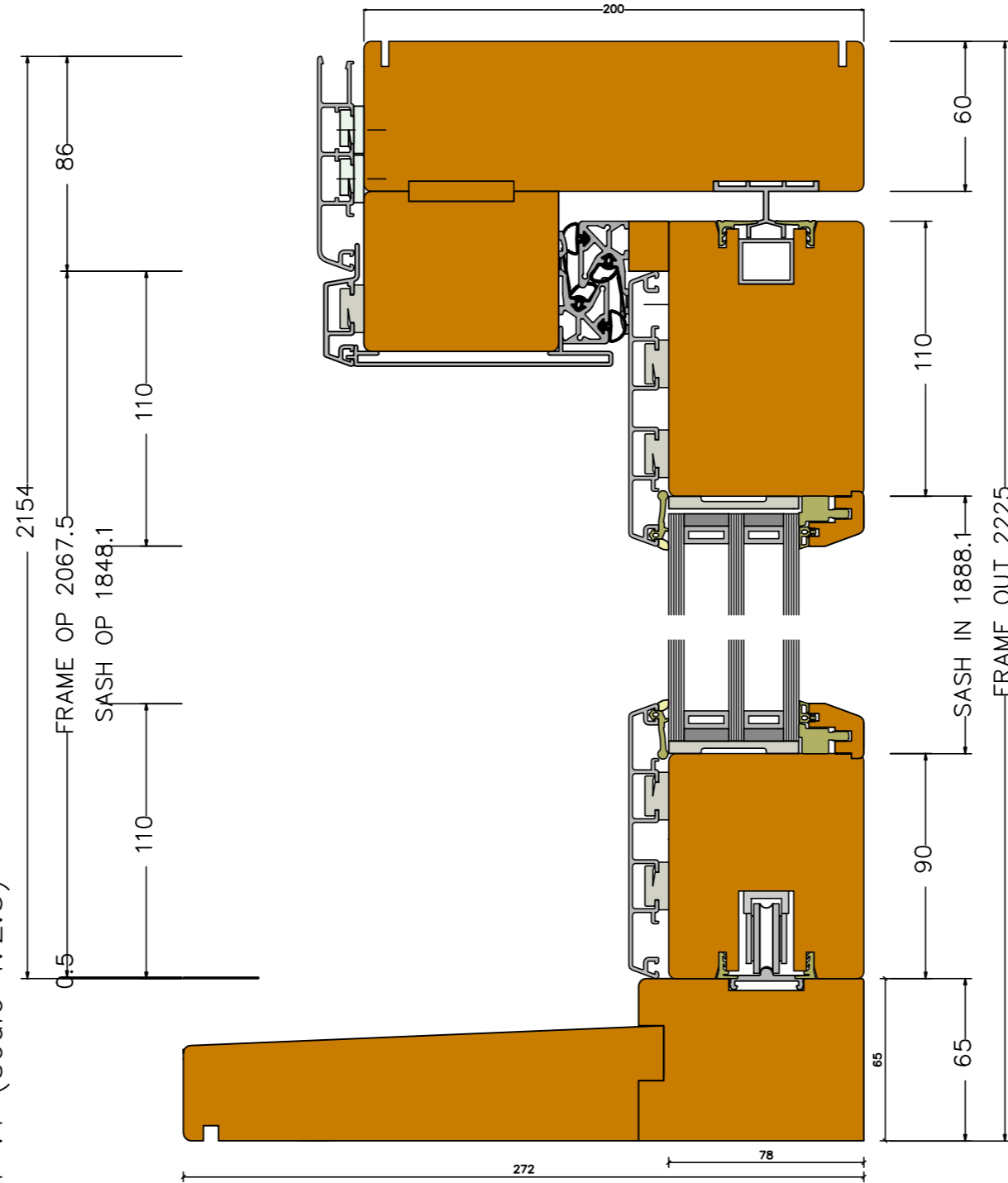


ThermaDura e-MOD Thermally Efficient Window/Door Modules	drawn	Date	Name
		30.05.2020	Rampe
Description: DesignLine e-MOD D-307 Tilt-slide window			
<b>ThermaDura</b>	These drawings are protected by copyright and only to be used in conjunction with the supply of ThermaDura products. This drawing is an instrument of service and is provided for informational use only. © 2019 ThermaDura Ltd		

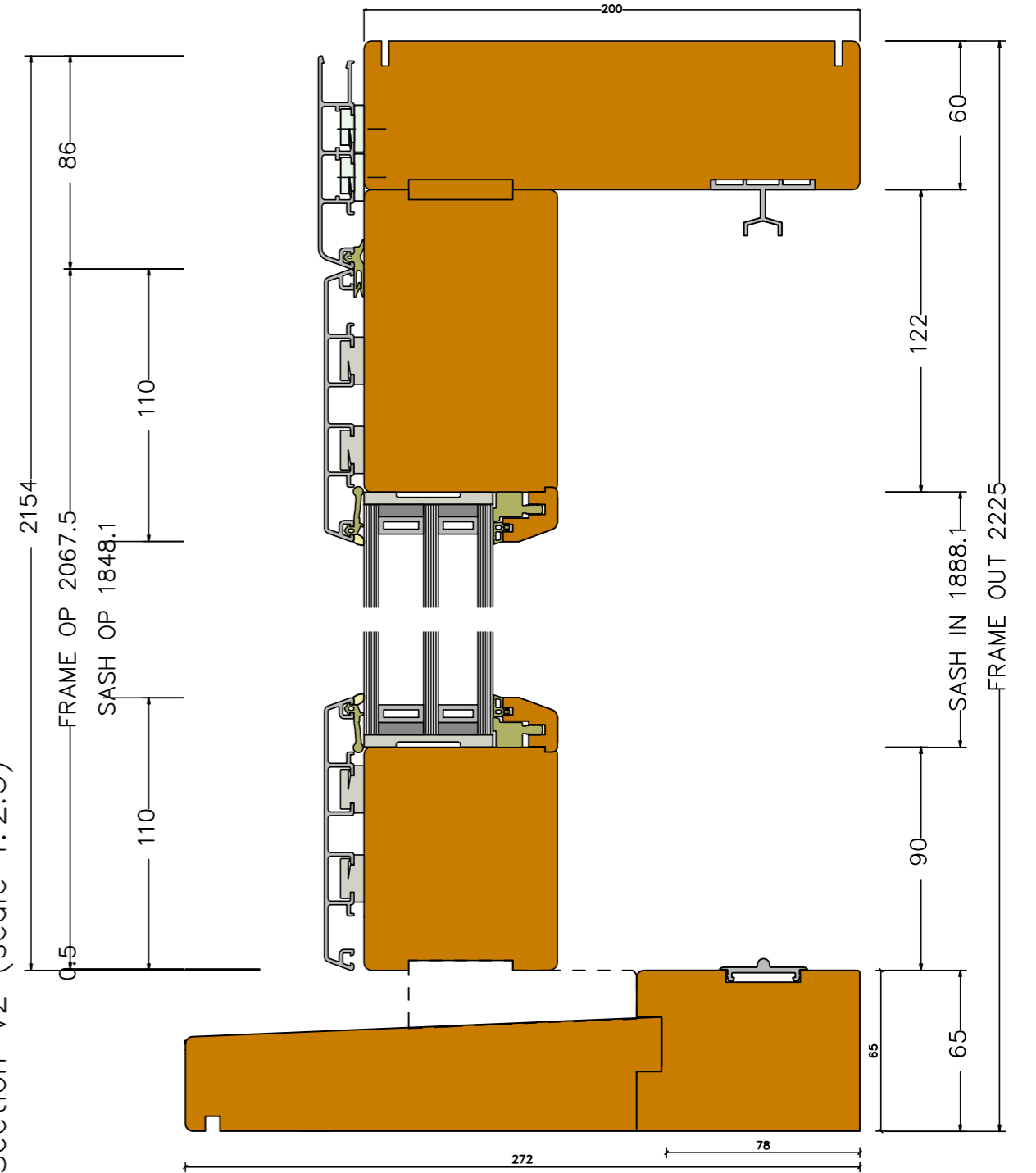
View from inside (scale 1:30)



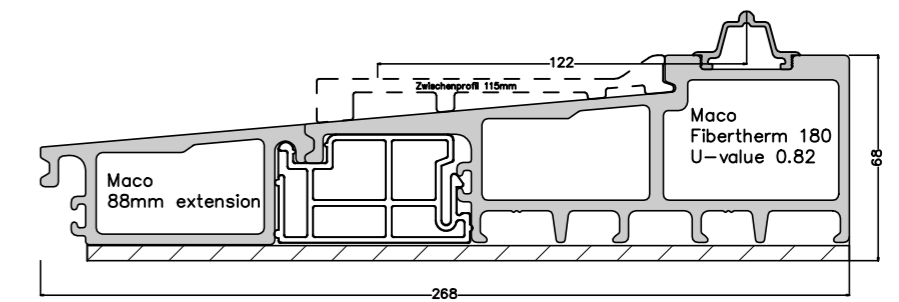
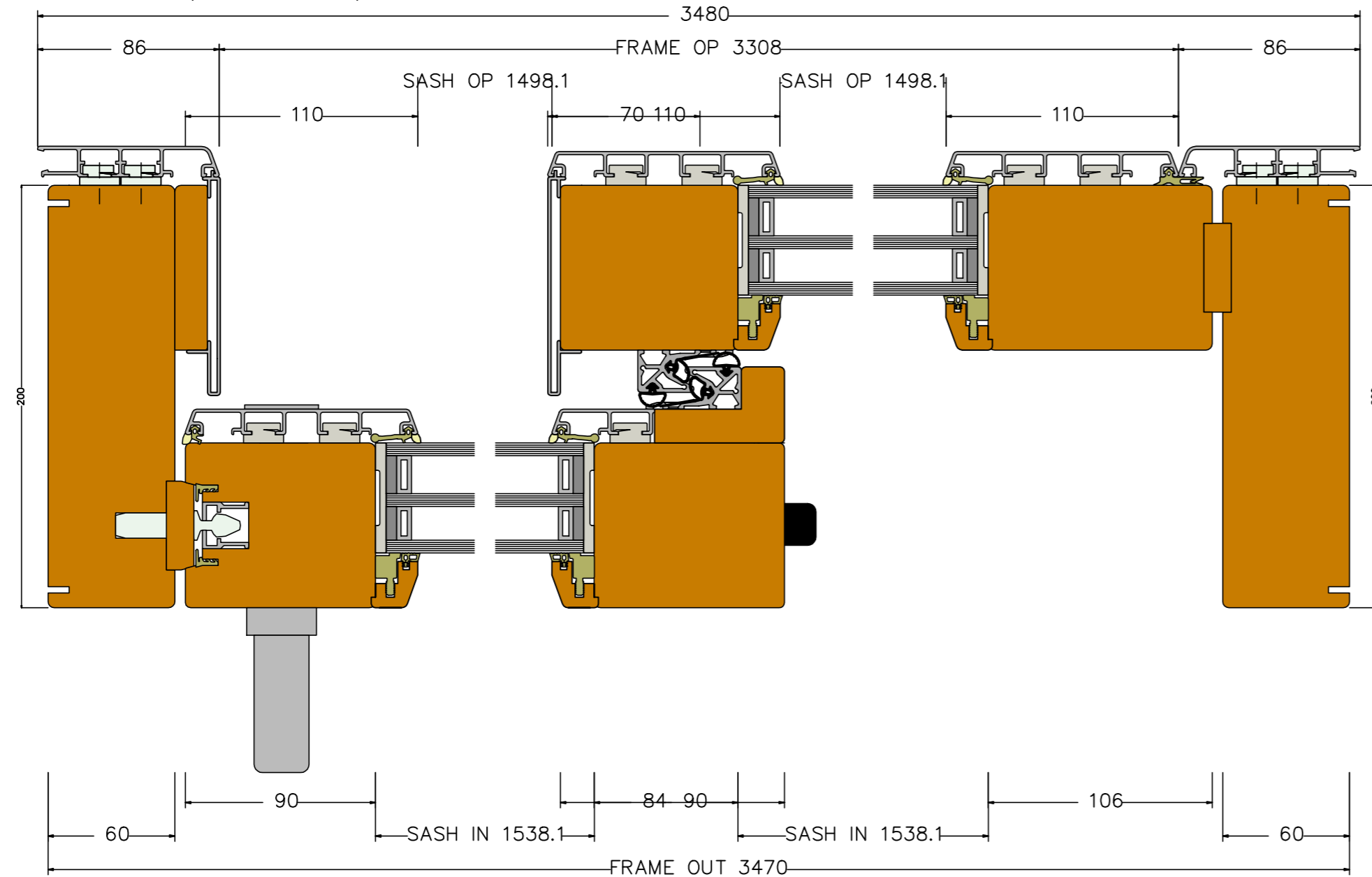
Section V1 (scale 1:2.5)



Section V2 (scale 1:2.5)

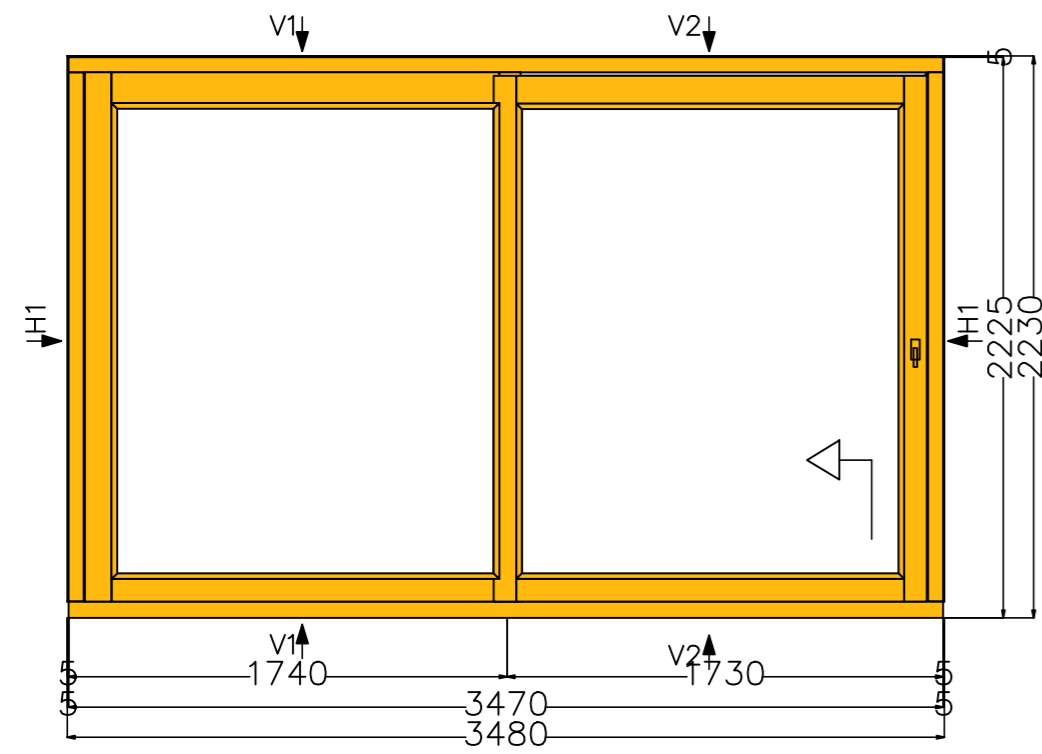


Section H1 (scale 1:2.5)

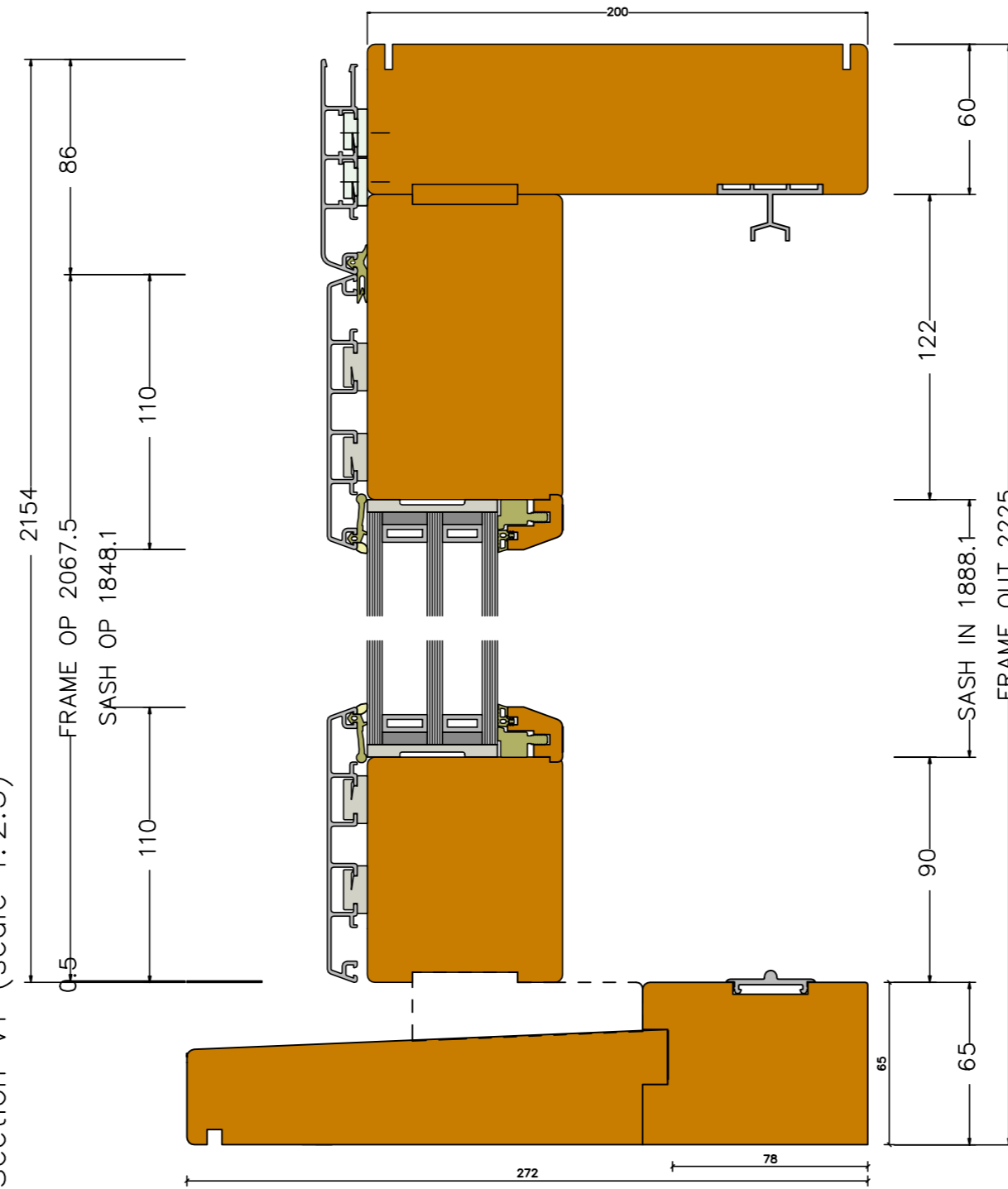


ThermaDura e-MOD Thermally Efficient Window/Door Modules	drawn	Date	Name
		30.05.2020	Rampe
Description: DesignLine e-MOD D-401 Timber-aluminium lift-slide door			
<b>ThermaDura</b>	These drawings are protected by copyright and only to be used in conjunction with the supply of ThermaDura products. This drawing is an instrument of service and is provided for informational use only. © 2019 ThermaDura Ltd		

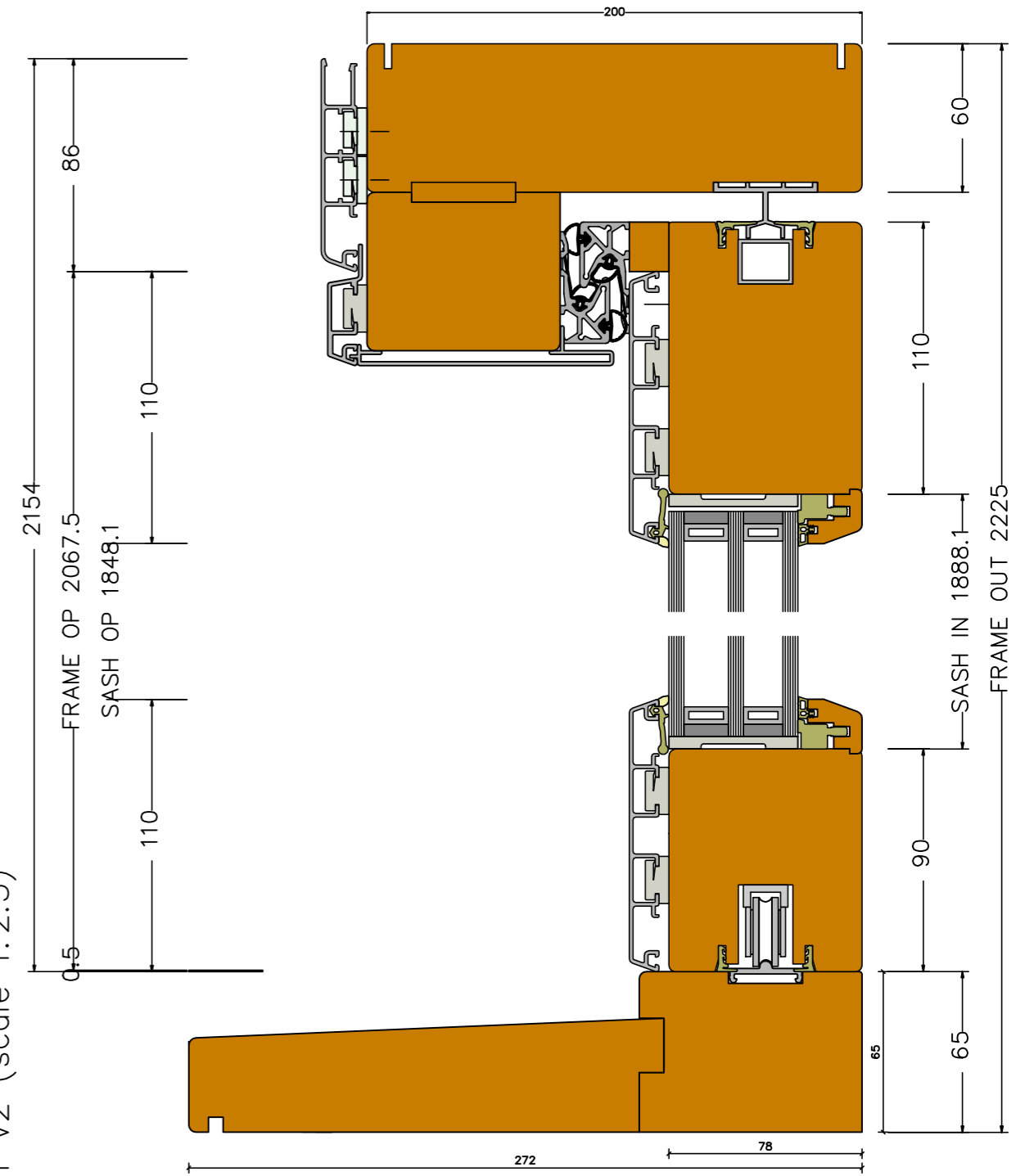
View from inside (scale 1:30)



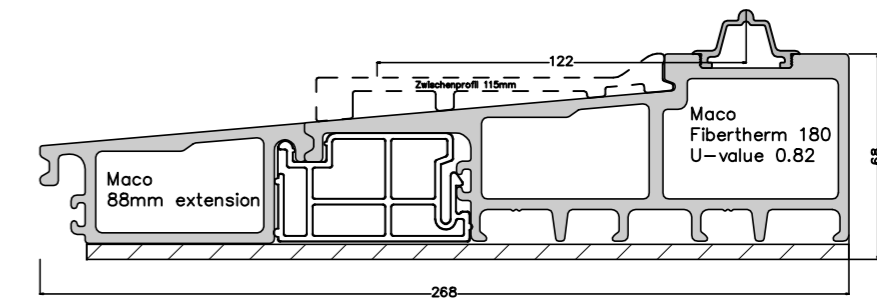
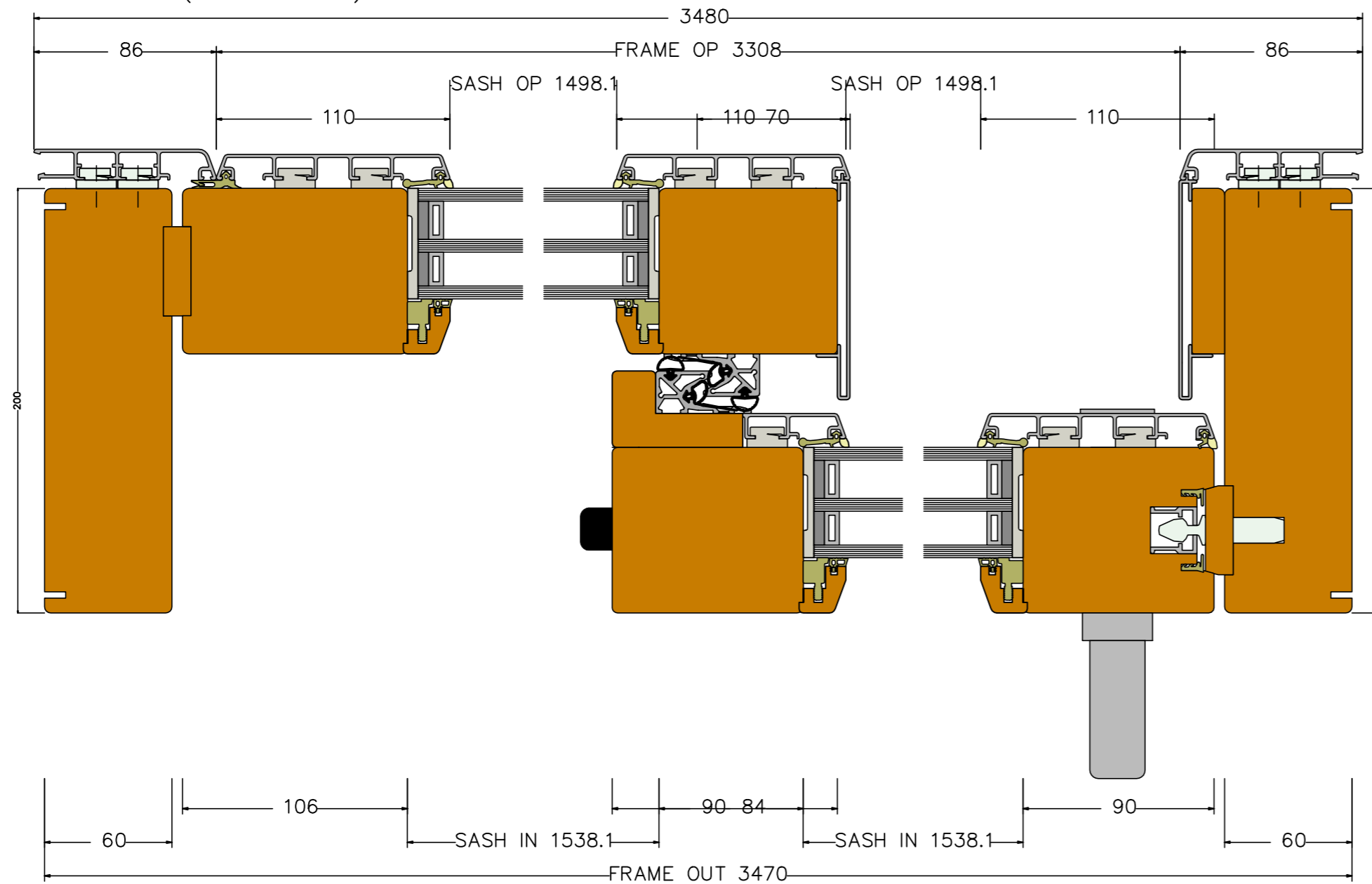
Section V1 (scale 1:2.5)



Section V2 (scale 1:2.5)

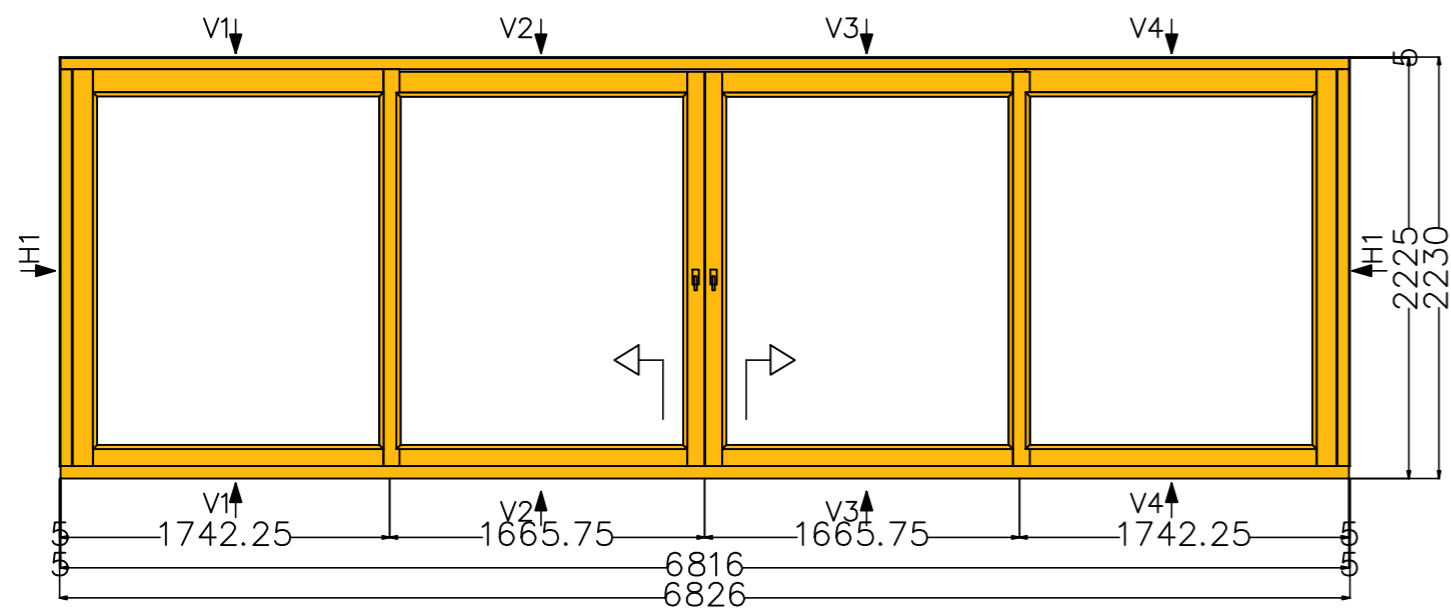


Section H1 (scale 1:2.5)

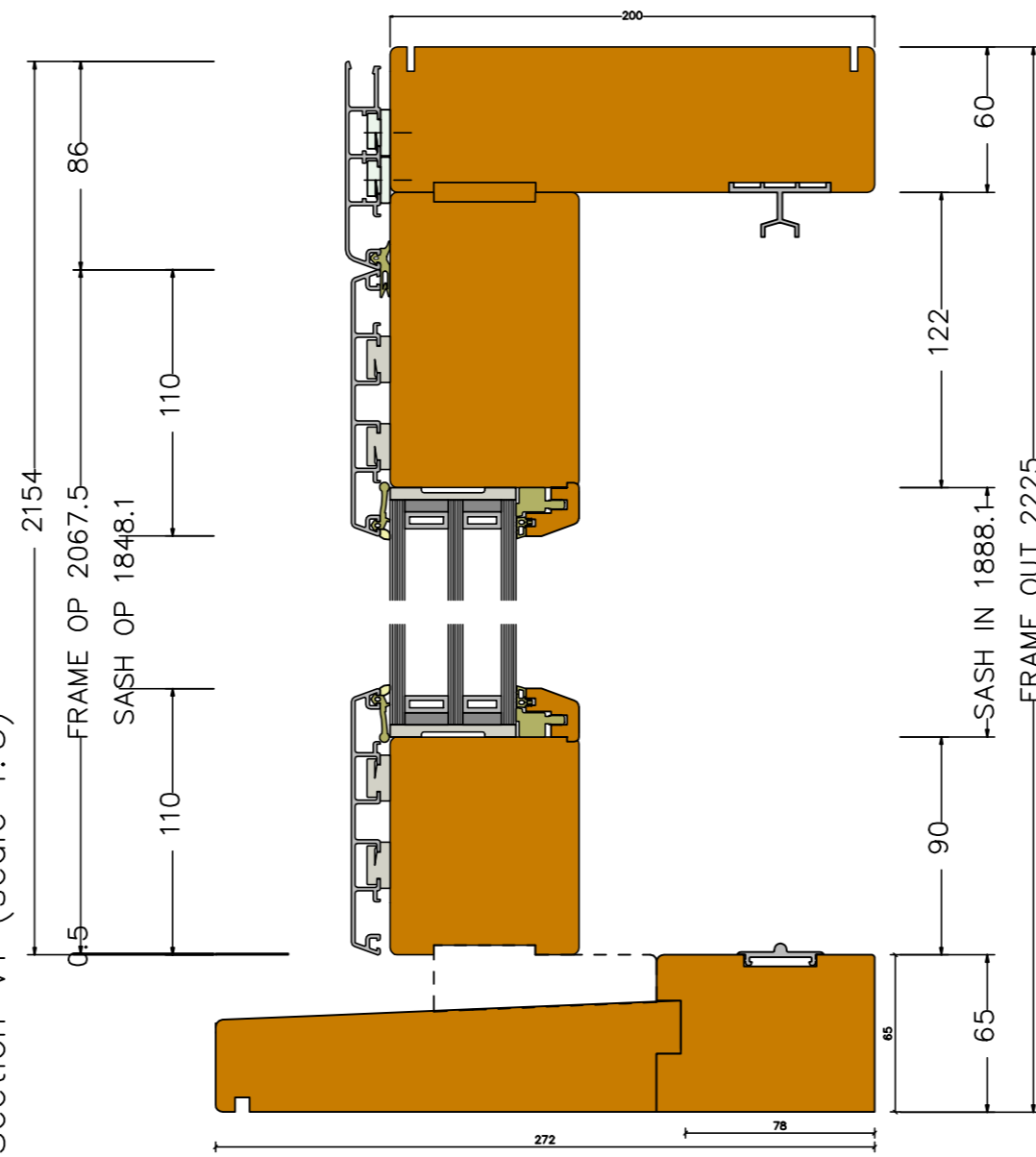


ThermaDura e-MOD Thermally Efficient Window/Door Modules	drawn	Date	Name
		30.05.2020	Rampe
Description: DesignLine e-MOD D-402 Timber-aluminium lift-slide door			
<b>ThermaDura</b>	These drawings are protected by copyright and only to be used in conjunction with the supply of ThermaDura products. This drawing is an instrument of service and is provided for informational use only. © 2019 ThermaDura Ltd		

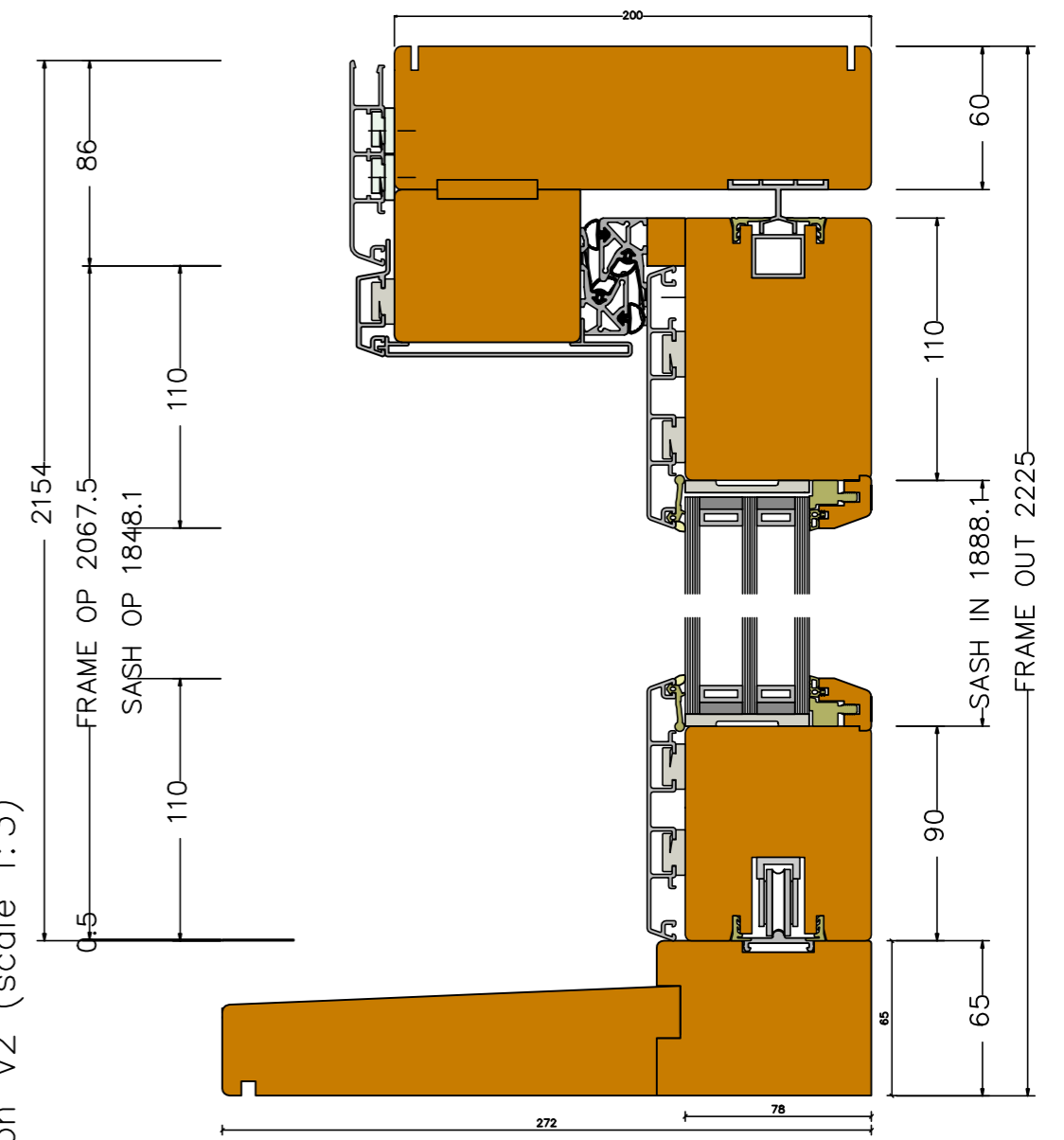
View from inside (scale 1:40)



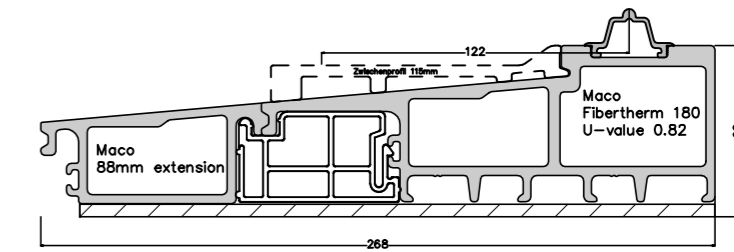
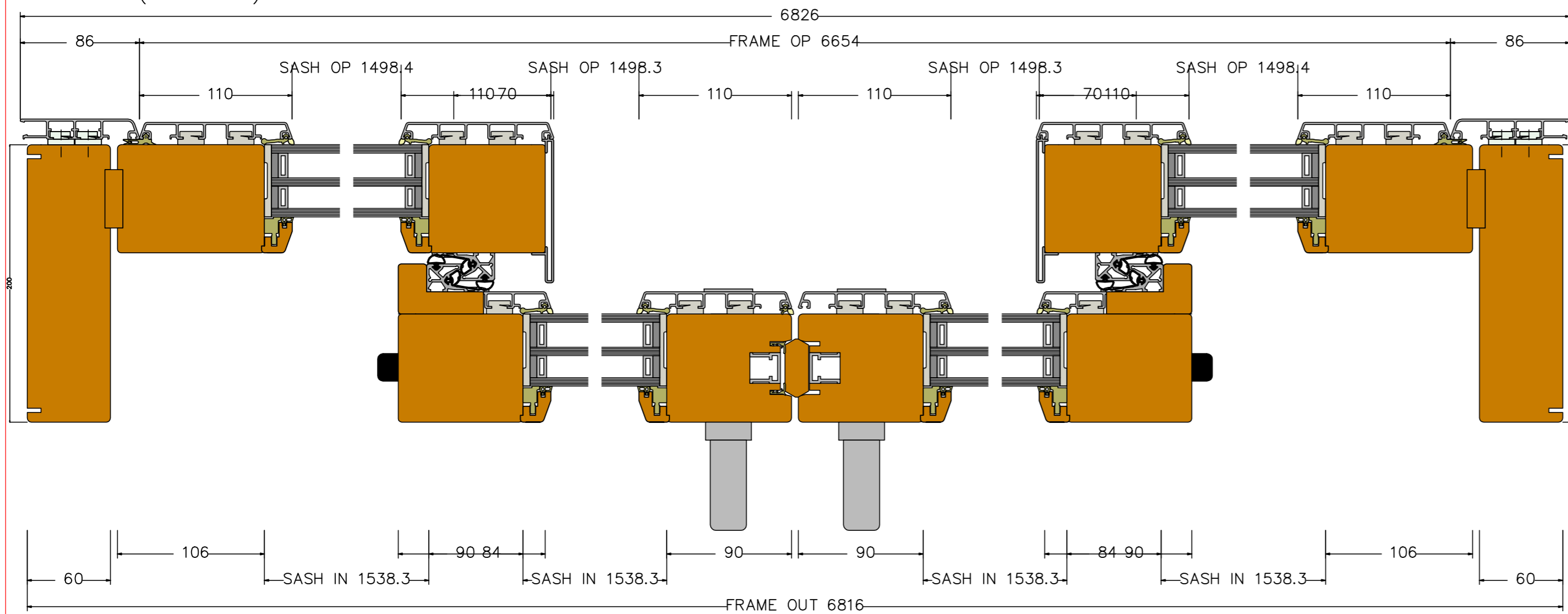
Section V1 (scale 1:3)



Section V2 (scale 1:3)



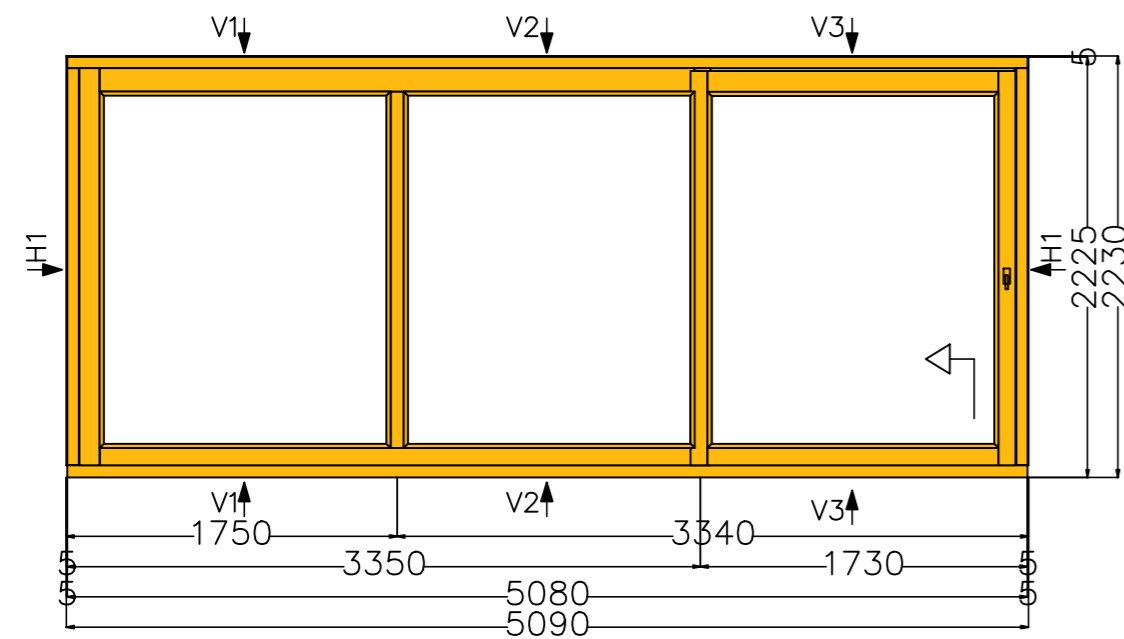
Section H1 (scale 1:3)



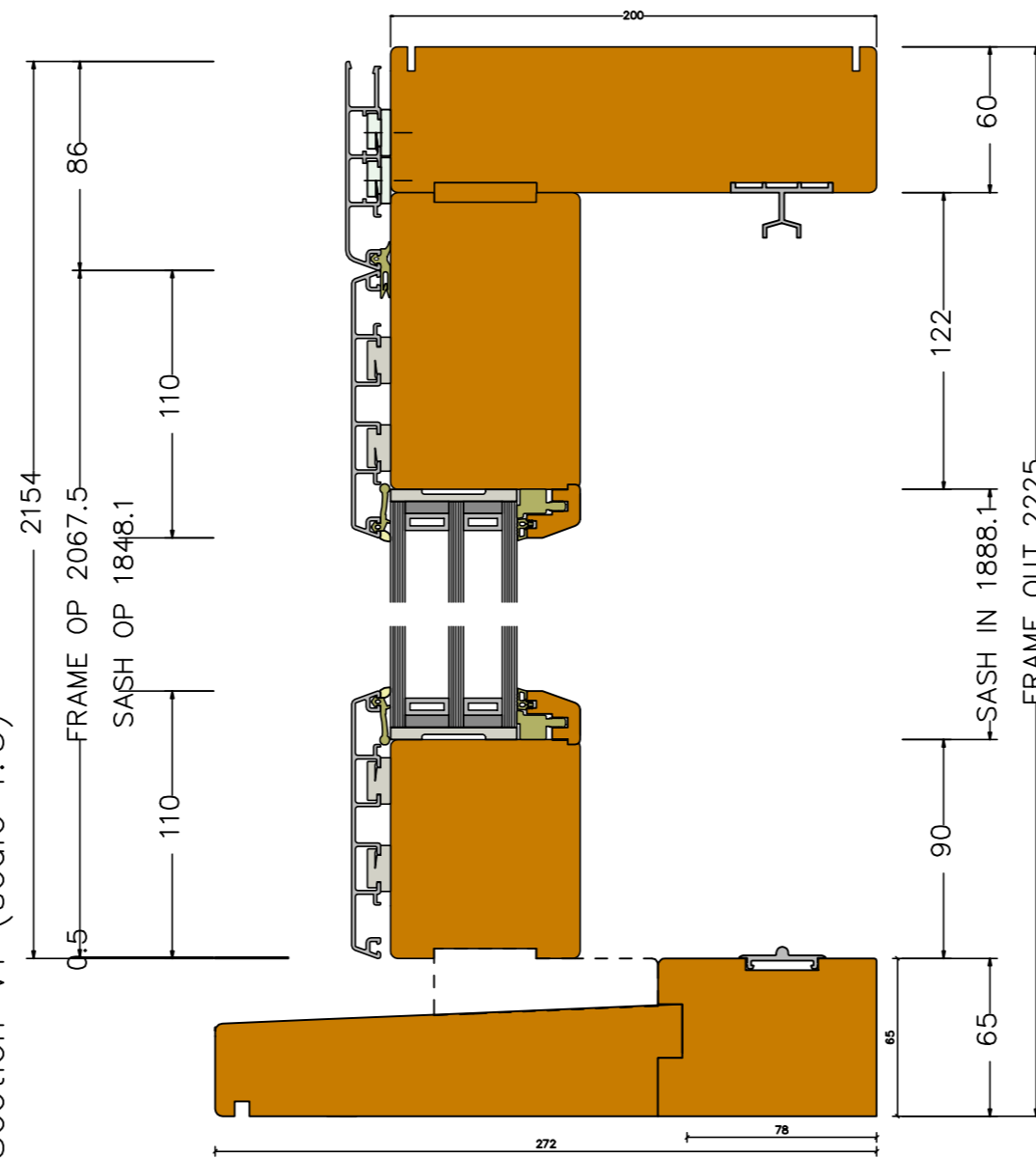
ThermaDura e-MOD Thermally Efficient Window/Door Modules	drawn	Date	Name
		30.05.2020	Rampe
Description: DesignLine e-MOD D-403 Timber-aluminium lift-slide door			
<b>ThermaDura</b>	These drawings are protected by copyright and only to be used in conjunction with the supply of ThermaDura products. This drawing is an instrument of service and is provided for informational use only. © 2019 ThermaDura Ltd		



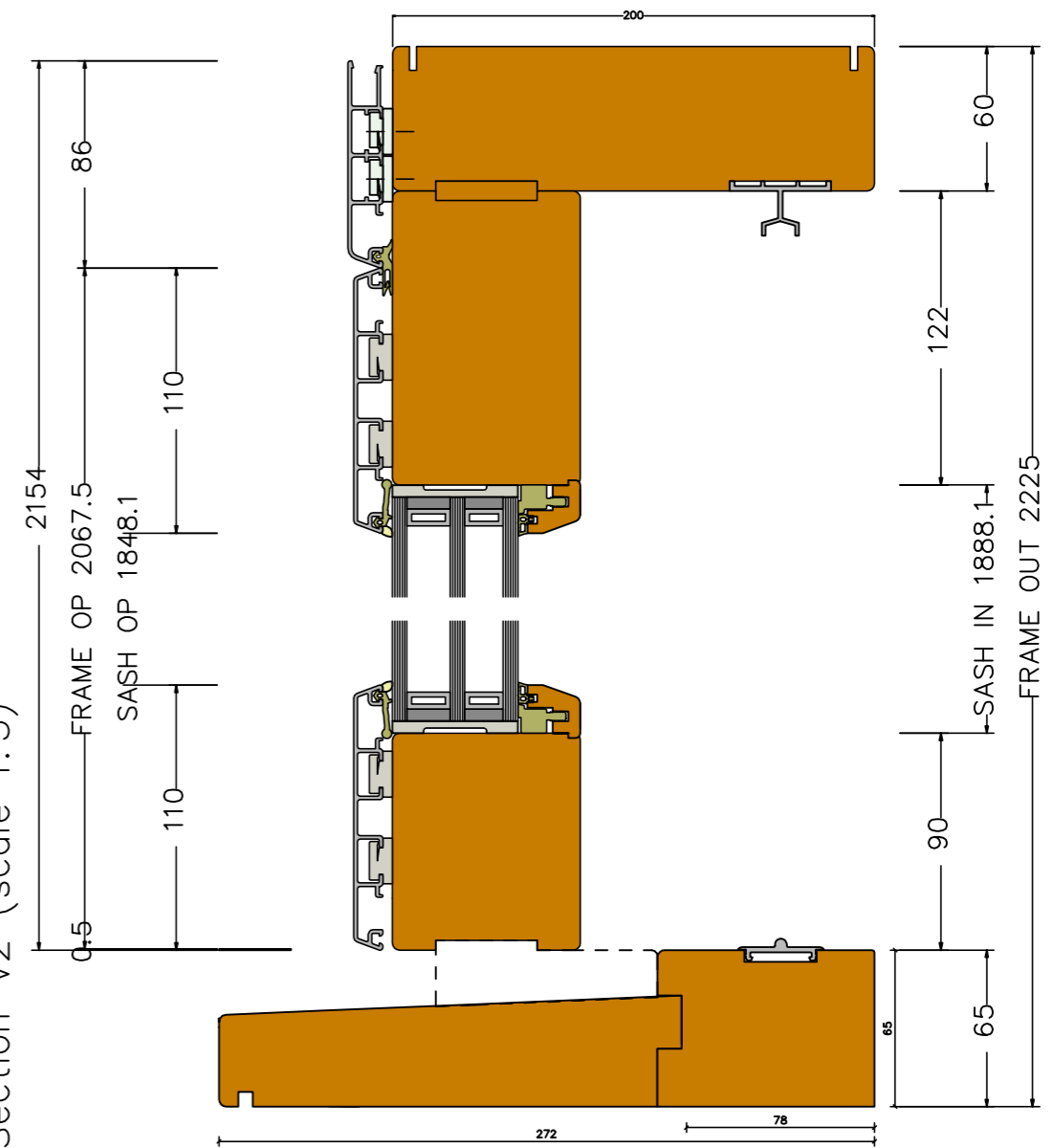
View from inside (scale 1:40)



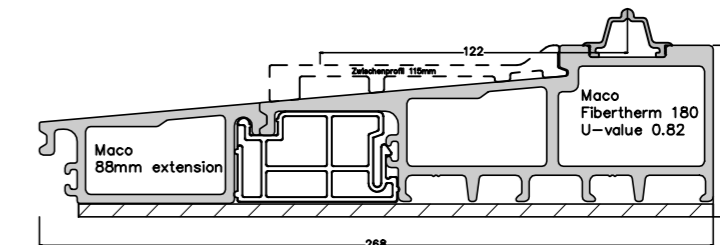
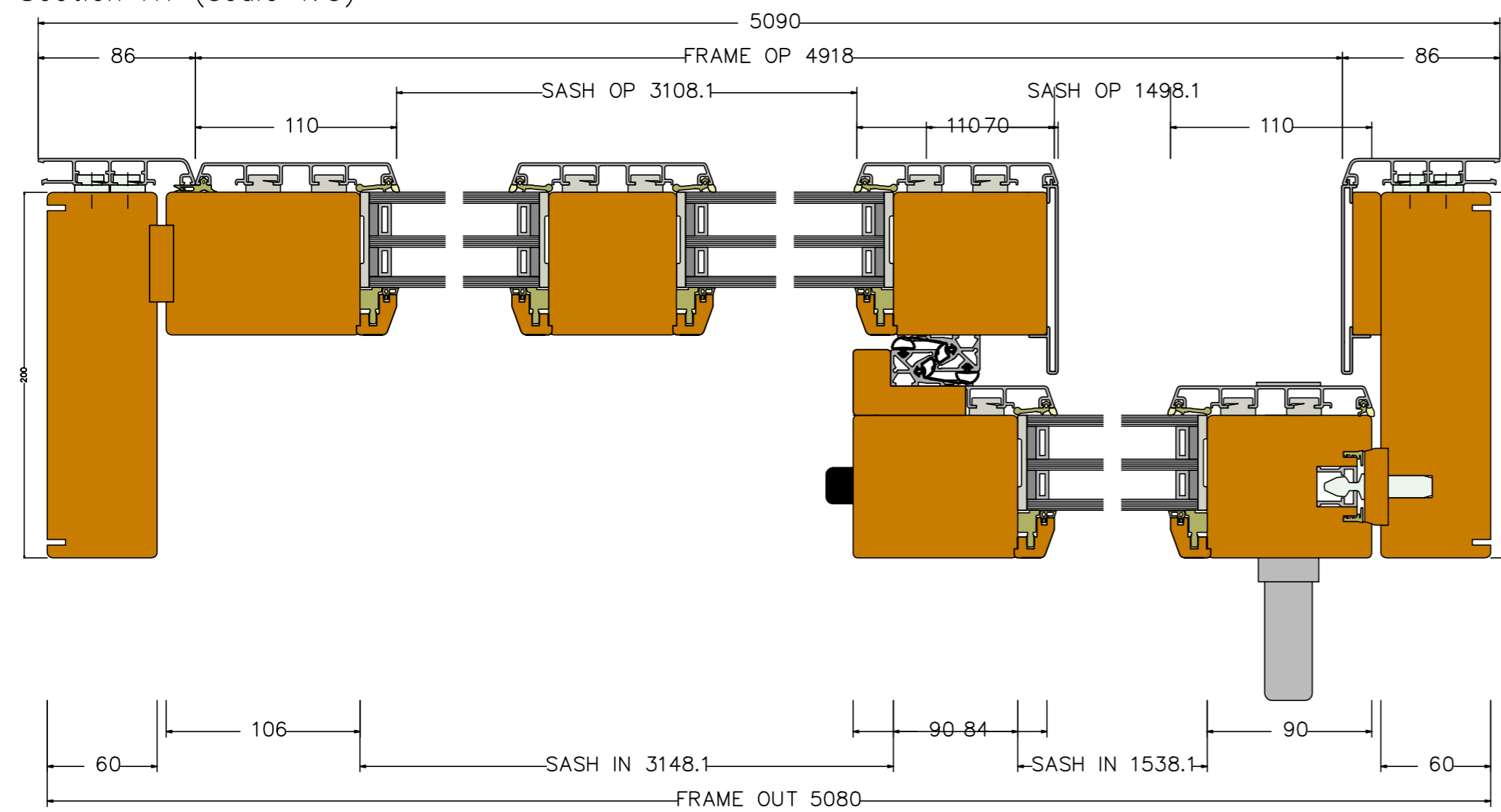
Section V1 (scale 1:3)



Section V2 (scale 1:3)

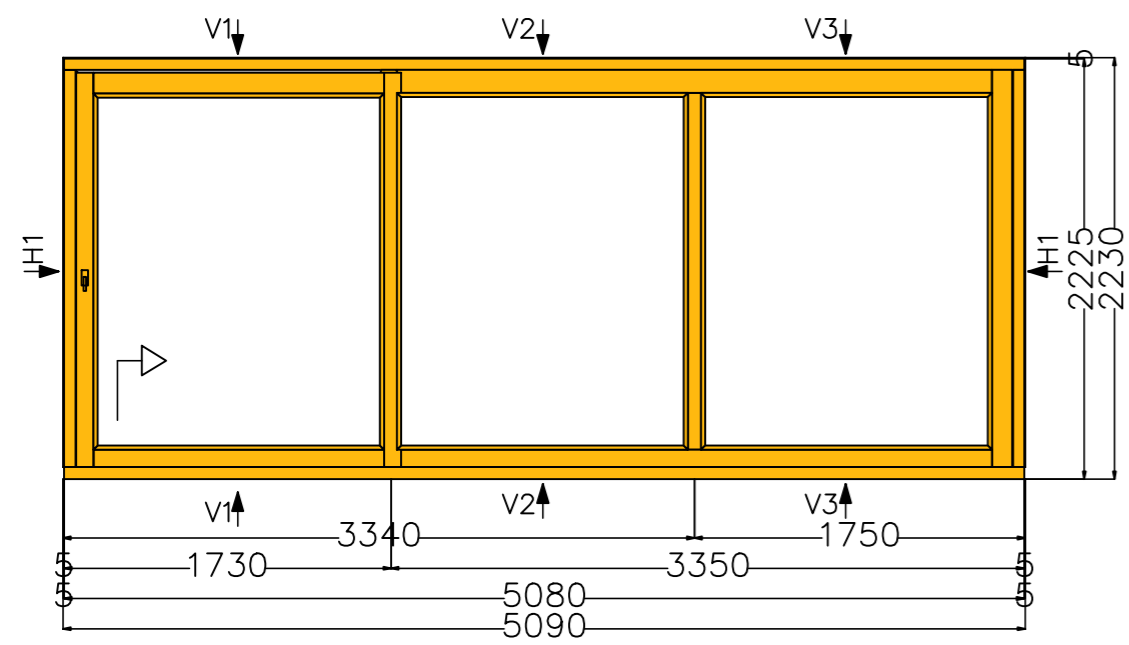


Section H1 (scale 1:3)

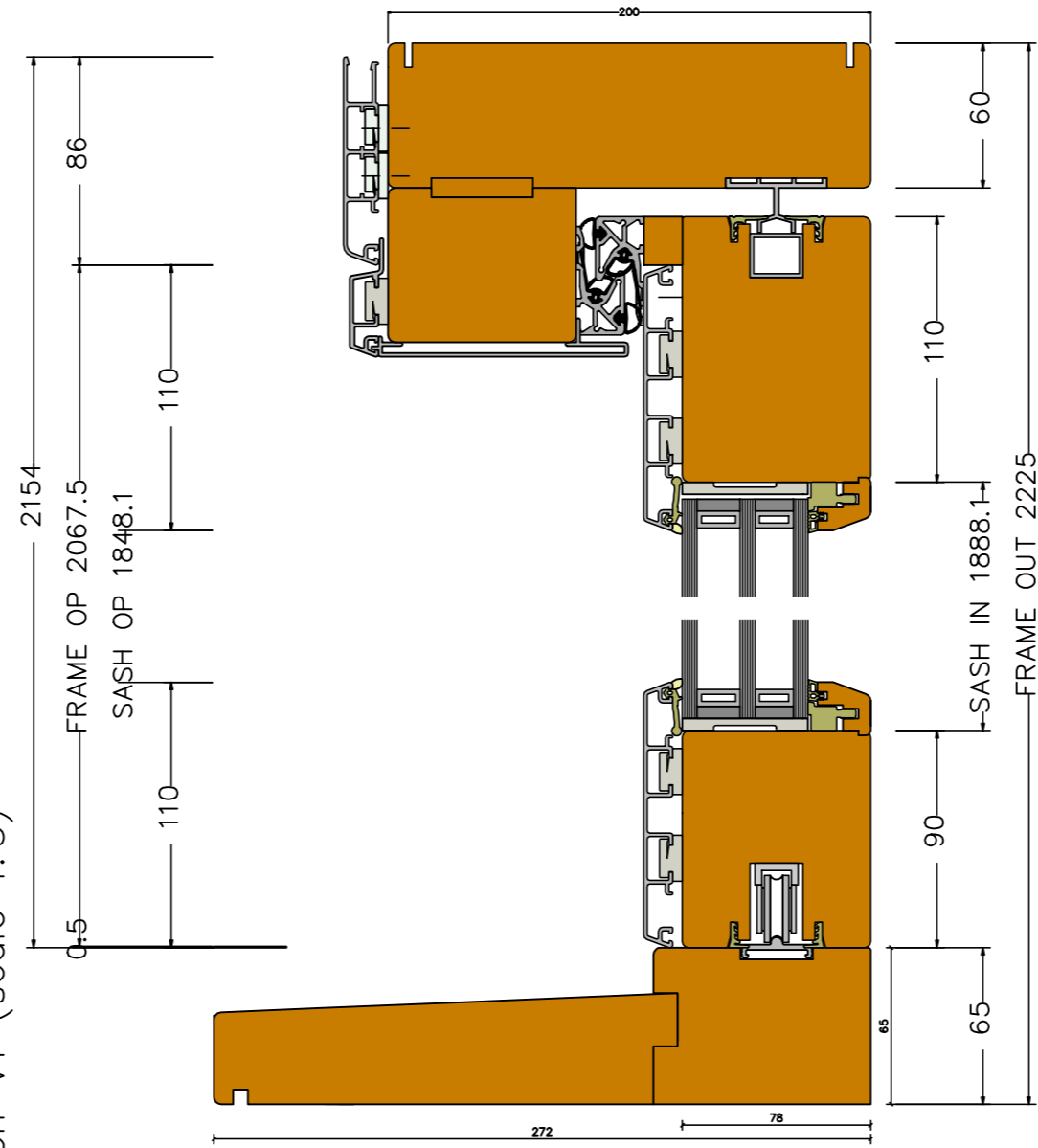


ThermaDura e-MOD Thermally Efficient Window/Door Modules	drawn	Date	Name
		30.05.2020	Rampe
Description: DesignLine e-MOD D-404 Timber-aluminium lift-slide door			
<b>ThermaDura</b>	These drawings are protected by copyright and only to be used in conjunction with the supply of Thermadura products. This drawing is an instrument of service and is provided for informational use only. © 2019 ThermaDura Ltd		

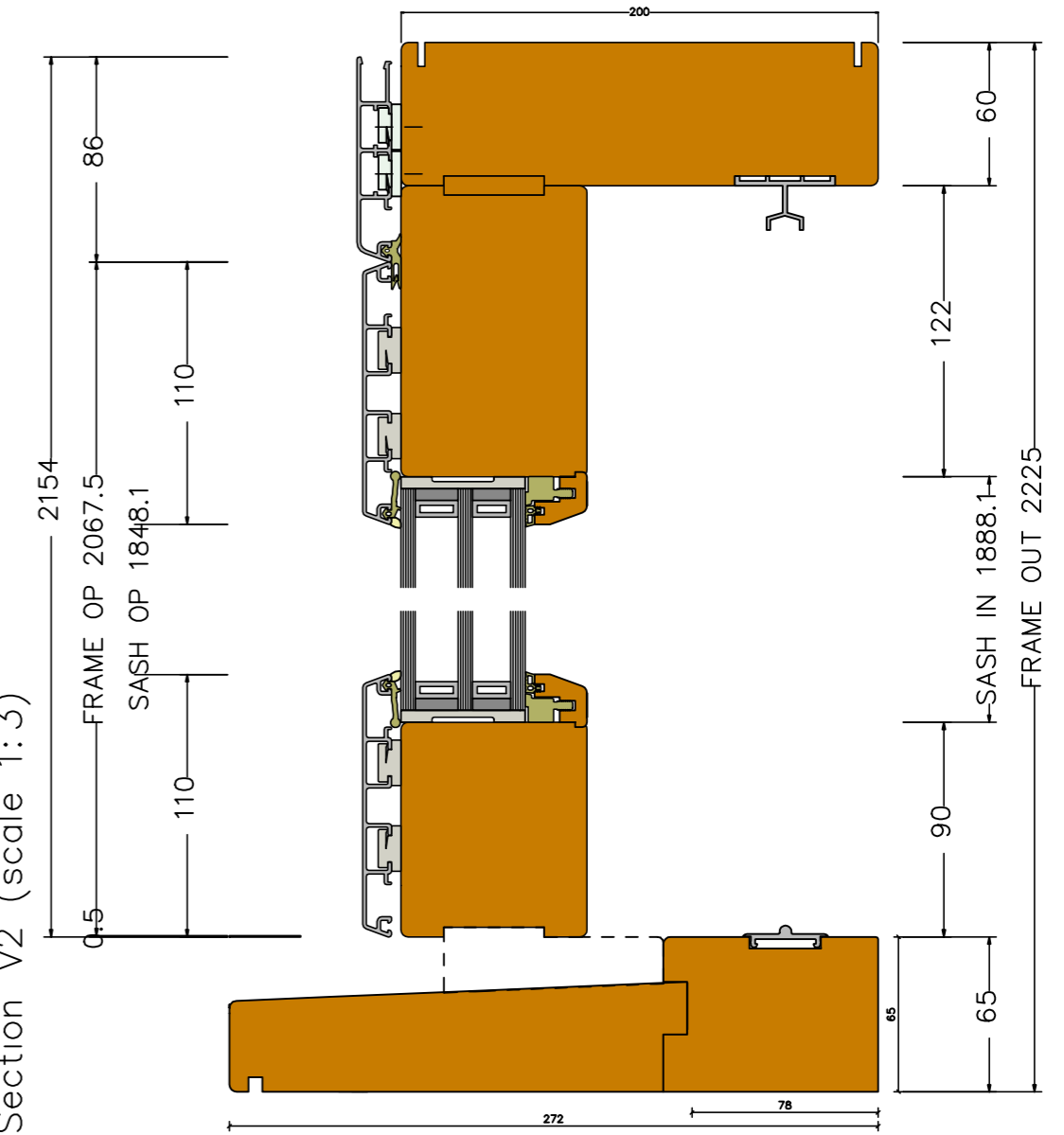
View from inside (scale 1:40)



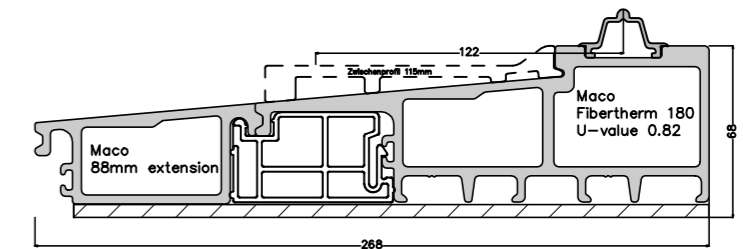
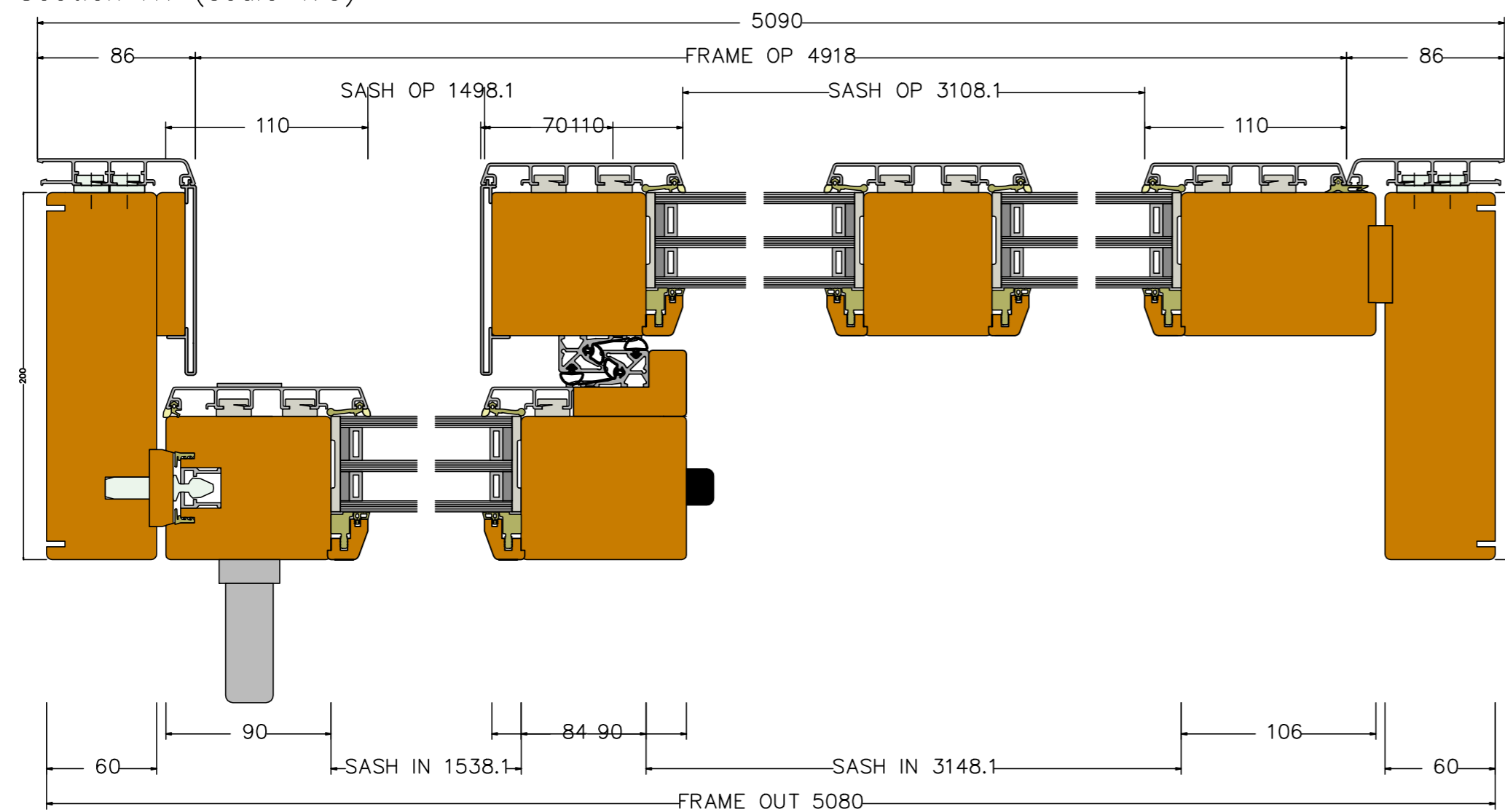
Section V1 (scale 1:3)



Section V2 (scale 1:3)

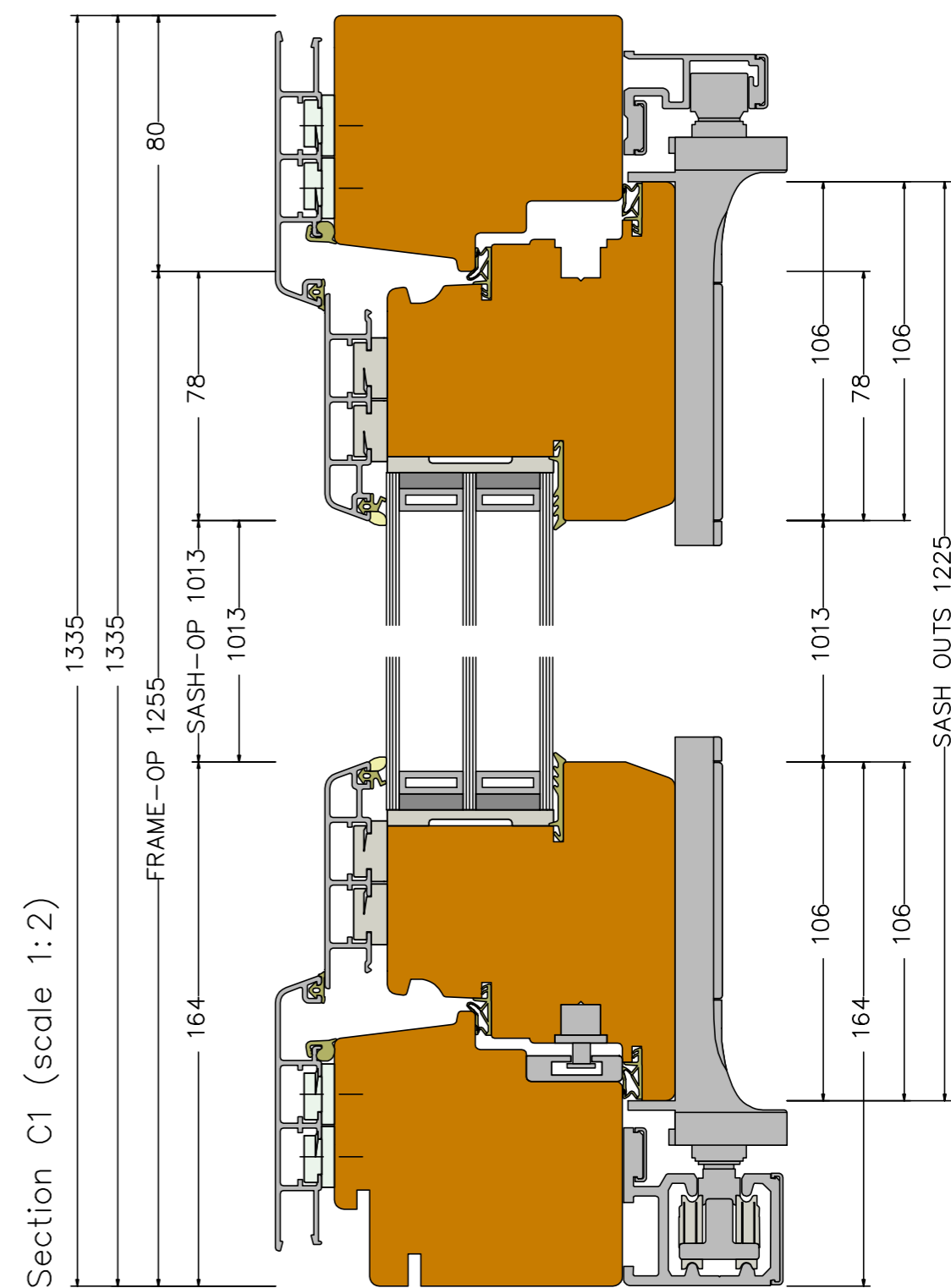
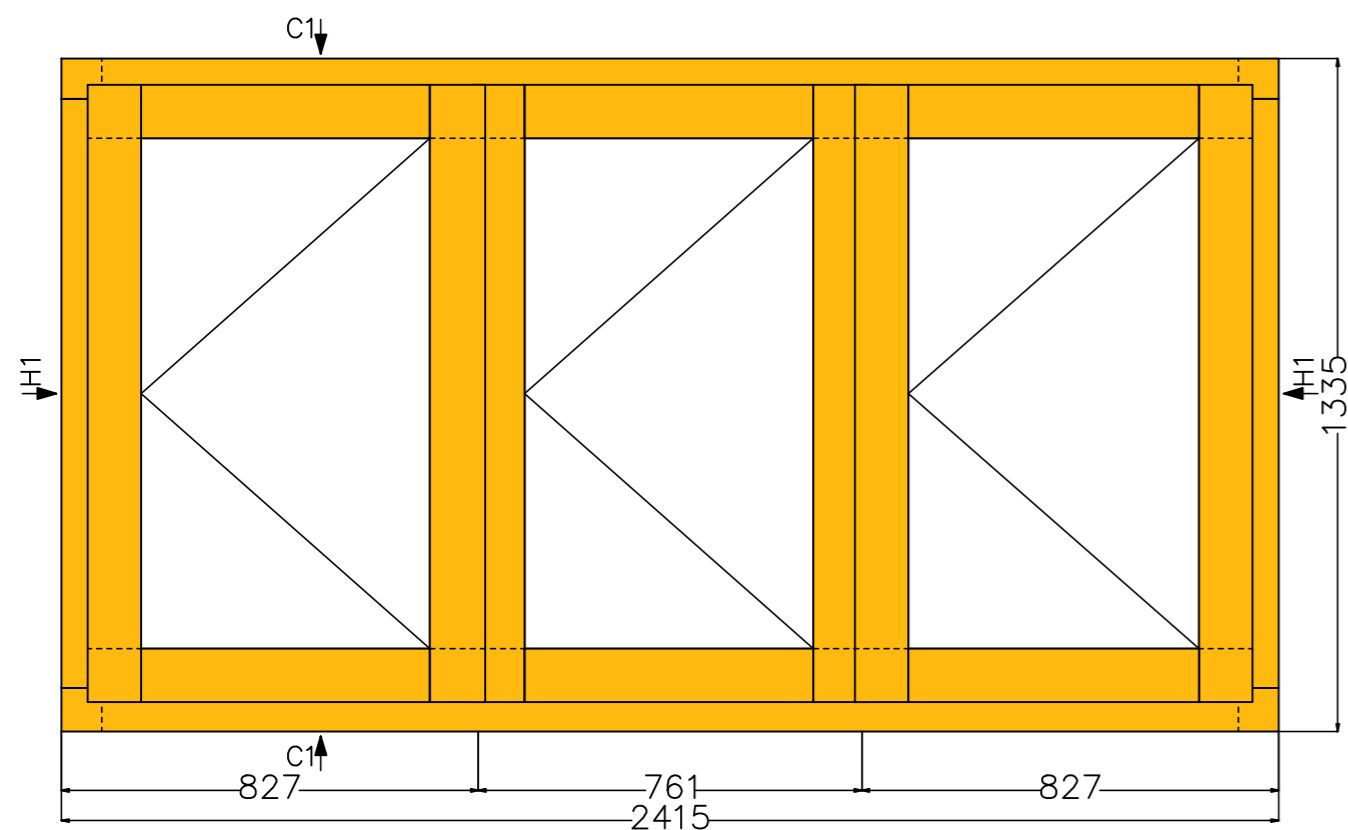


Section H1 (scale 1:3)



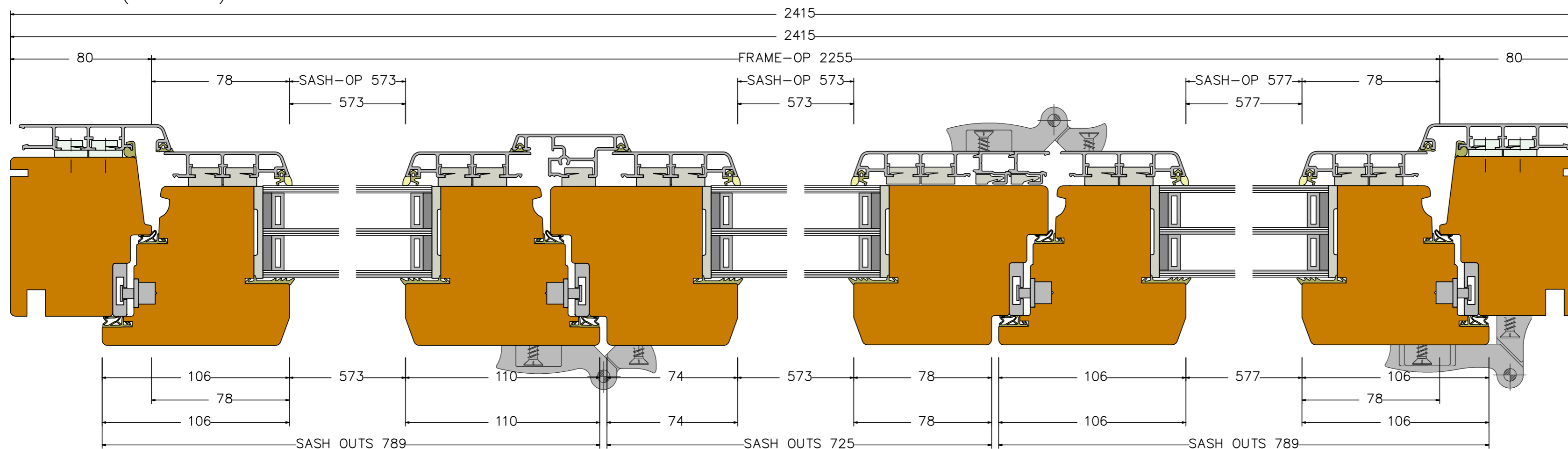
ThermaDura e-MOD Thermally Efficient Window/Door Modules	drawn	Date	Name
		30.05.2020	Rampe
Description: DesignLine e-MOD D-405 Timber-aluminium lift-slide door			
		These drawings are protected by copyright and only to be used in conjunction with the supply of ThermaDura products. This drawing is an instrument of service and is provided for informational use only. © 2019 ThermaDura Ltd	

View from inside (scale 1:15)



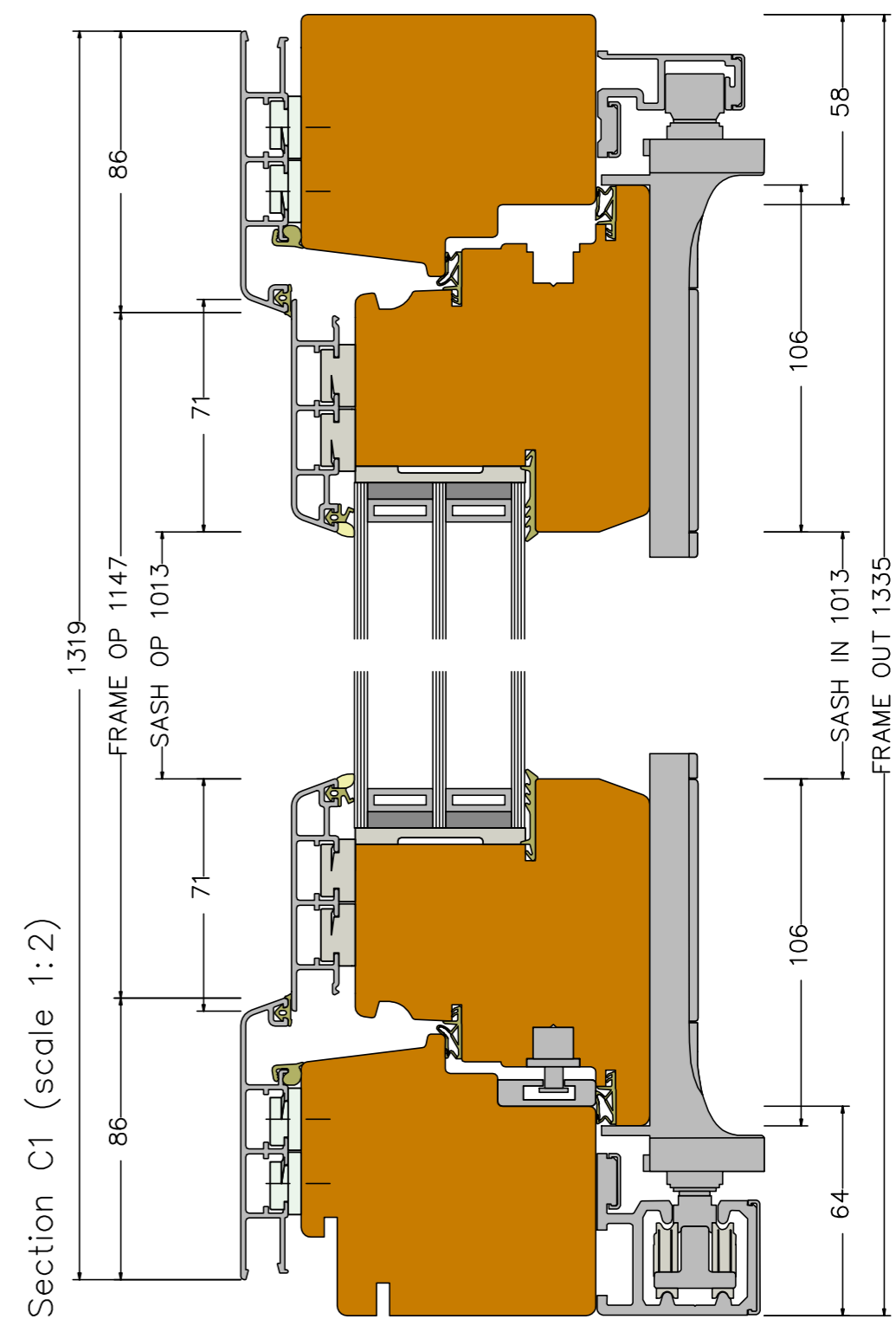
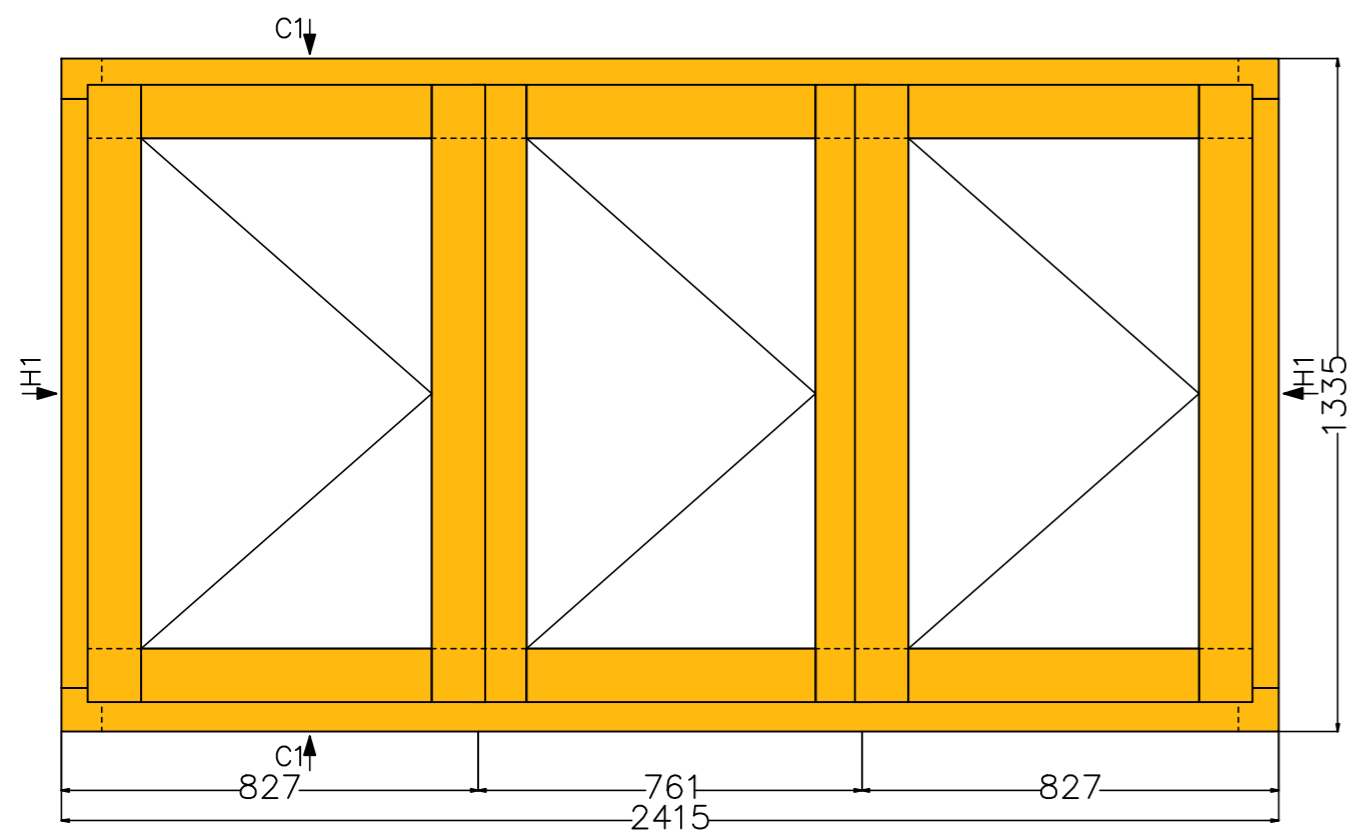
Section C1 (scale 1:2)

Section H1 (scale 1:2)

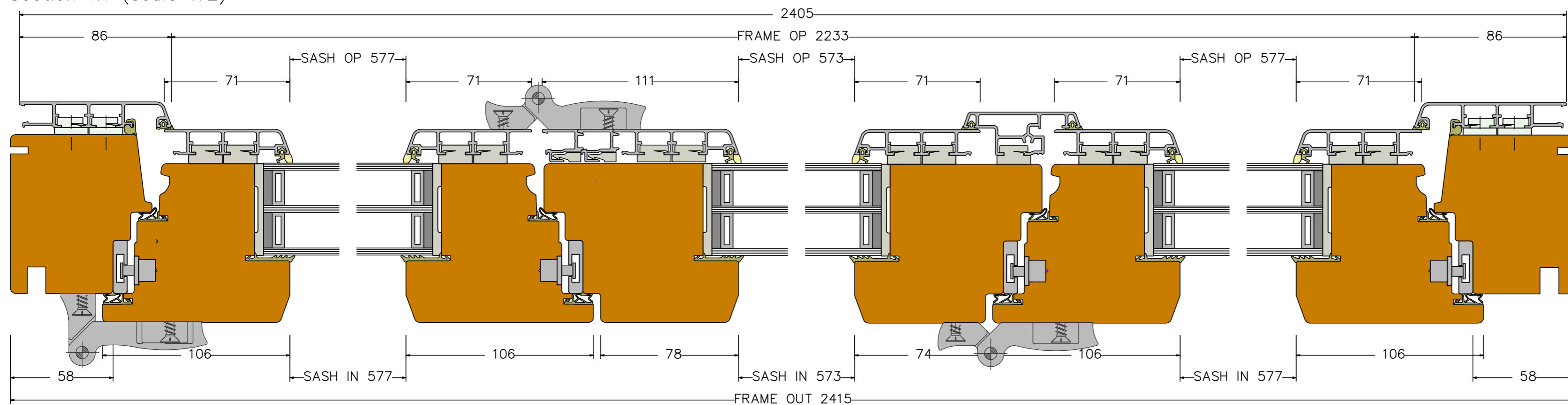


ThermaDura e-MOD Thermally Efficient Window/Door Modules	drawn	Date	Name
		31.05.2020	Rampe
Description: DesignLine e-MOD D501 Ti-Aluminium Bifold window 3-0-3			
<b>ThermaDura</b>	These drawings are protected by copyright and only to be used in conjunction with the supply of ThermaDura products. This drawing is an instrument of service and is provided for informational use only. © 2019 ThermaDura Ltd		

View from inside (scale 1:15)



Section H1 (scale 1:2)

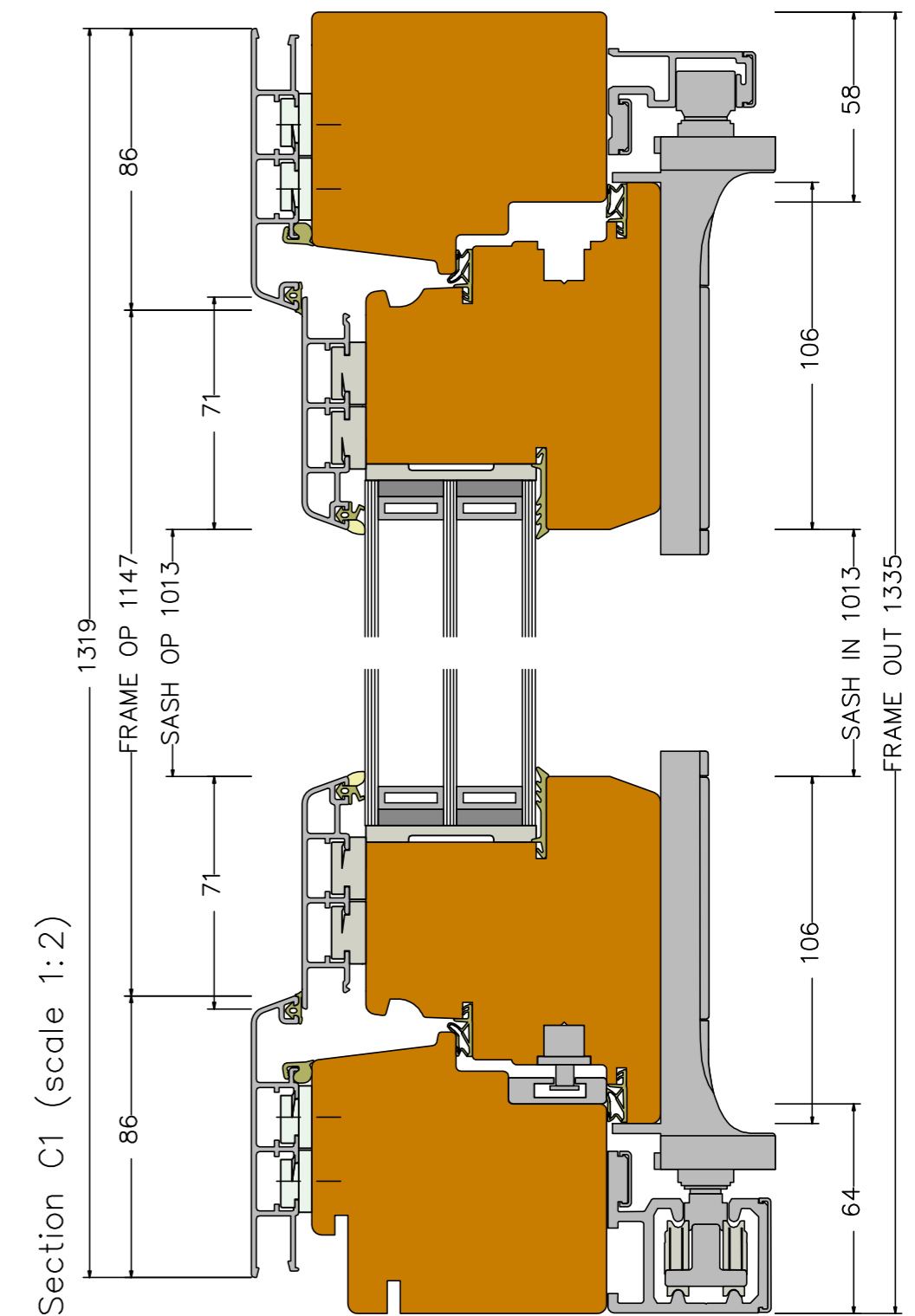
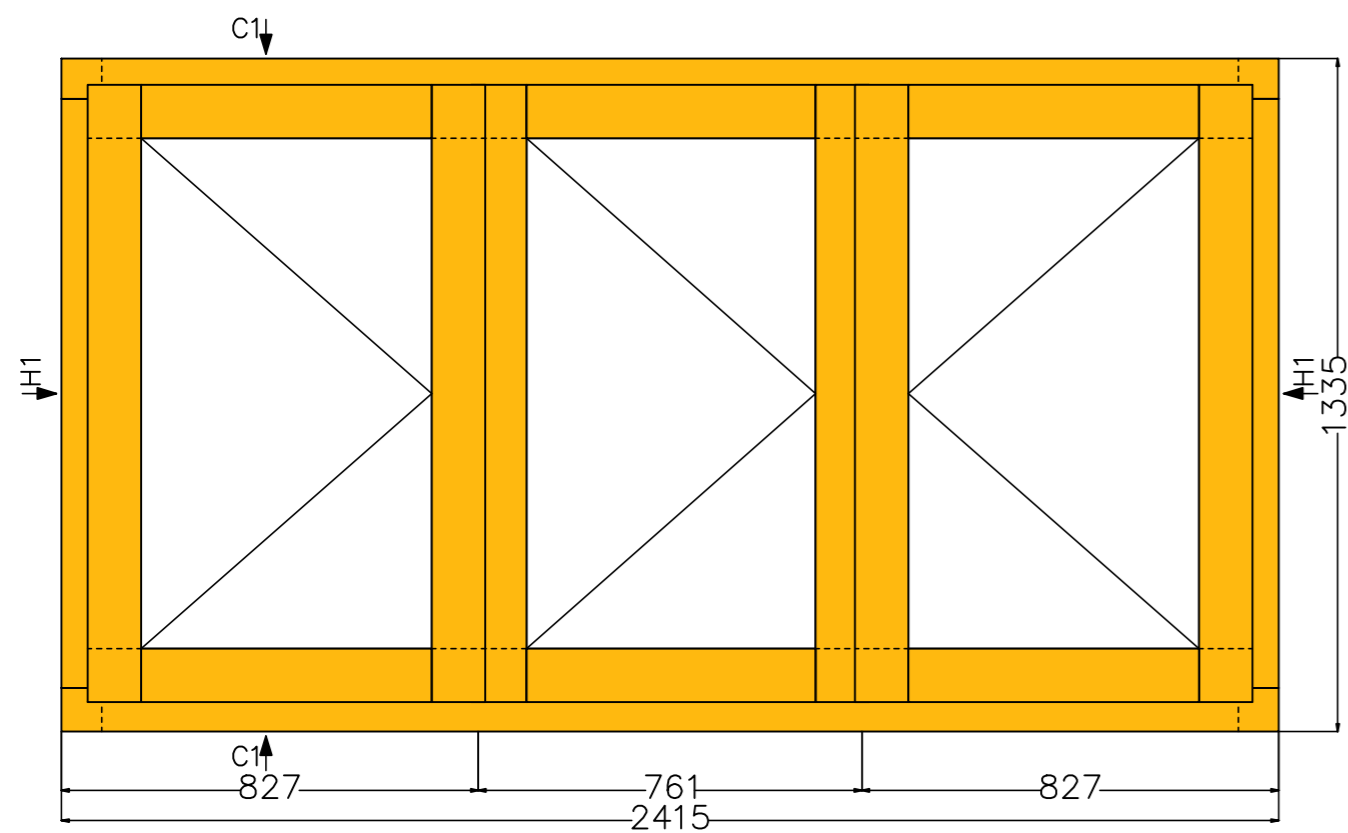


ThermaDura e-MOD Thermally Efficient Window/Door Modules	drawn	Date	Name
		31.05.2020	Rampe
Description: DesignLine e-MOD D502 Ti-Aluminium Bifold window 3-3-0			
<b>ThermaDura</b>	These drawings are protected by copyright and only to be used in conjunction with the supply of ThermaDura products. This drawing is an instrument of service and is provided for informational use only. © 2019 ThermaDura Ltd		

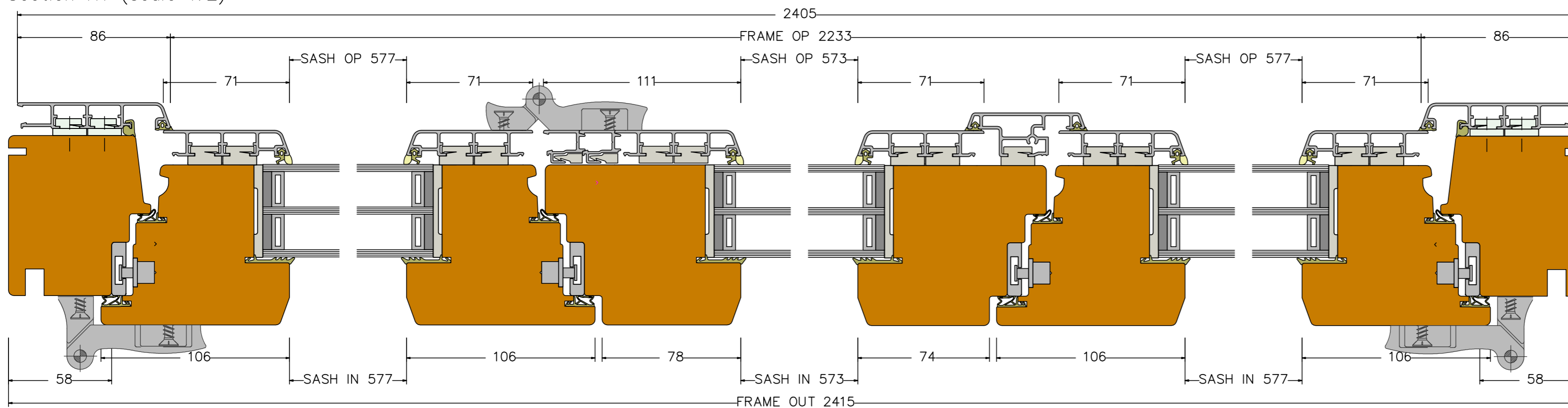




View from inside (scale 1:15)

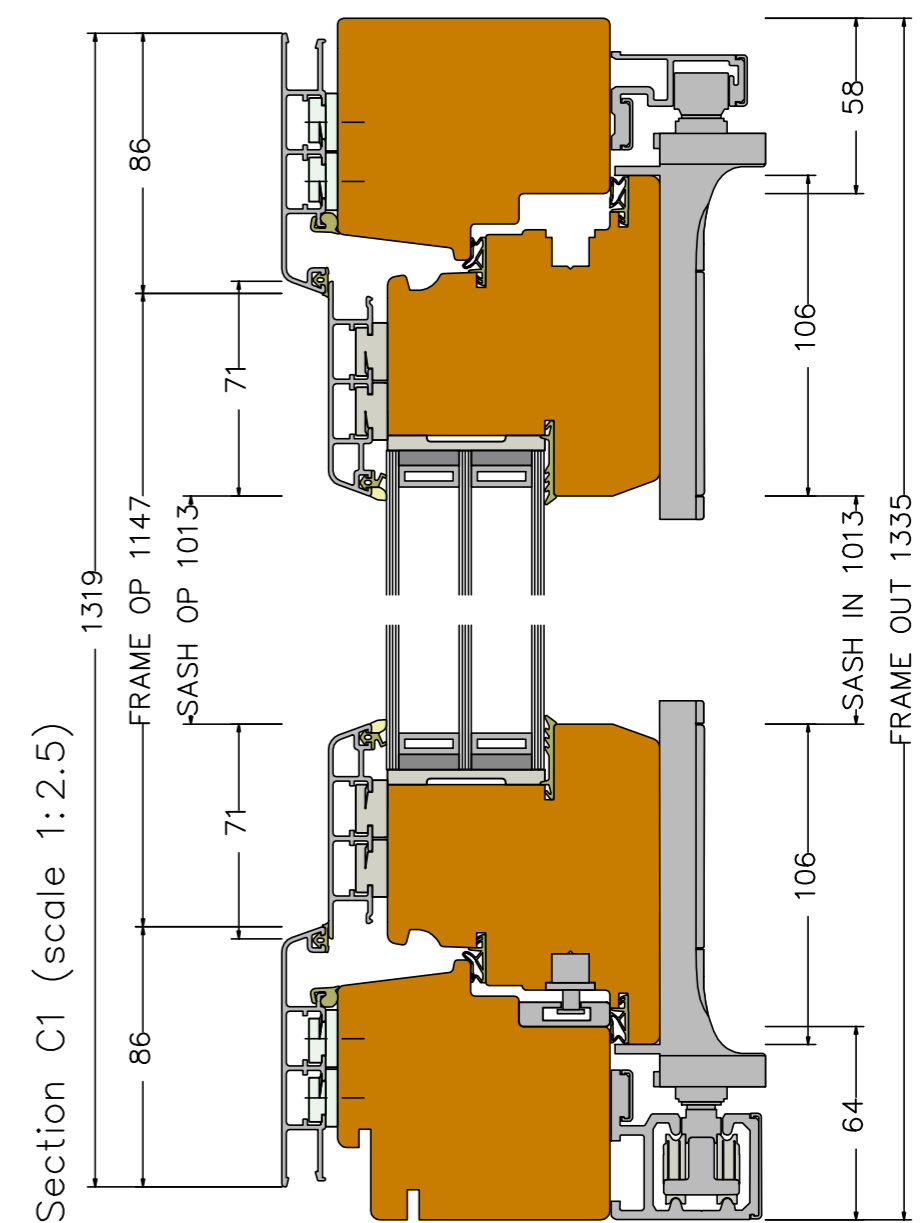
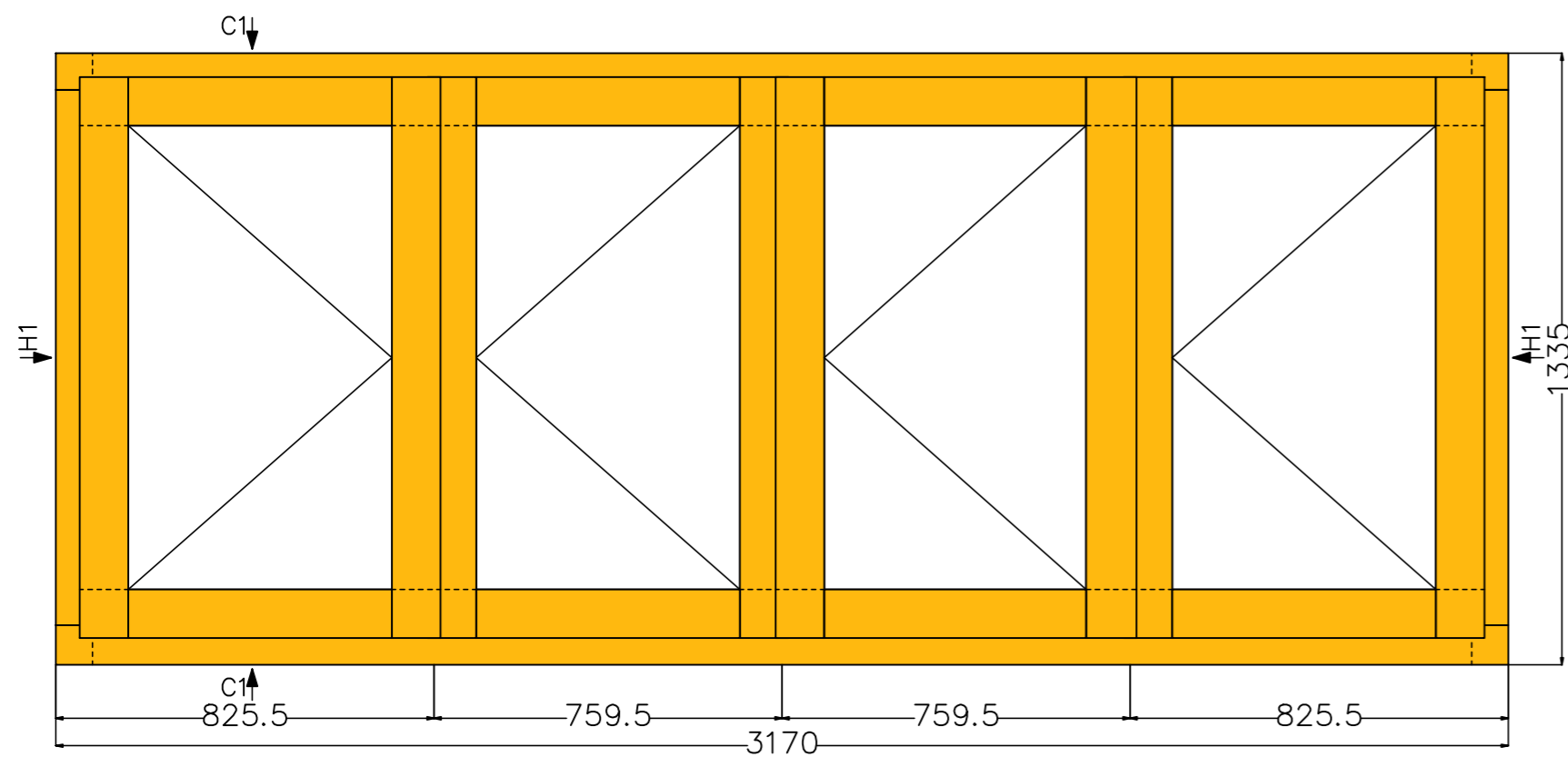


Section H1 (scale 1:2)

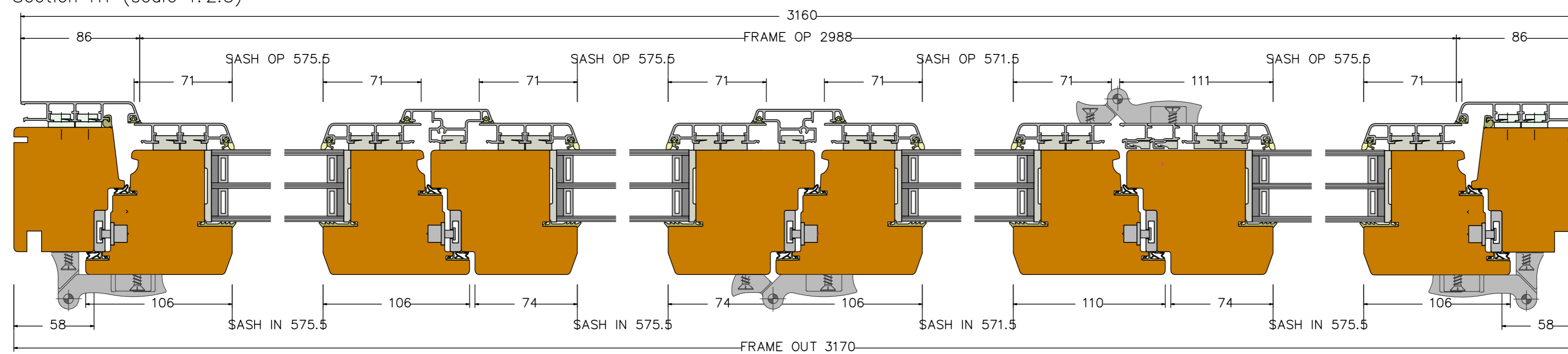


ThermaDura e-MOD Thermally Efficient Window/Door Modules	drawn	Date	Name
		31.05.2020	Rampe
Description: DesignLine e-MOD D504 Ti-Aluminium Bifold window 3-2-1			
<b>ThermaDura</b>	These drawings are protected by copyright and only to be used in conjunction with the supply of ThermaDura products. This drawing is an instrument of service and is provided for informational use only. © 2019 ThermaDura Ltd		

View from inside (scale 1:15)



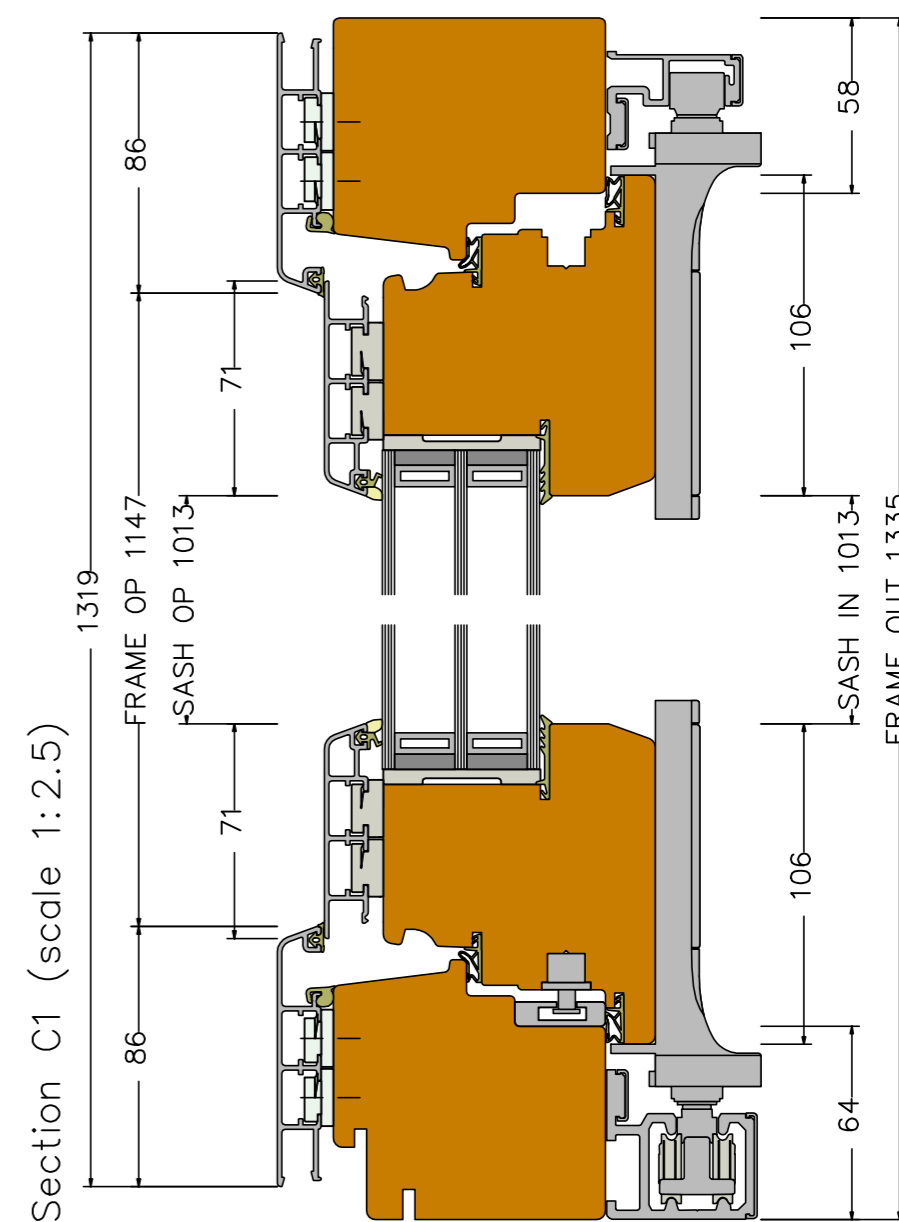
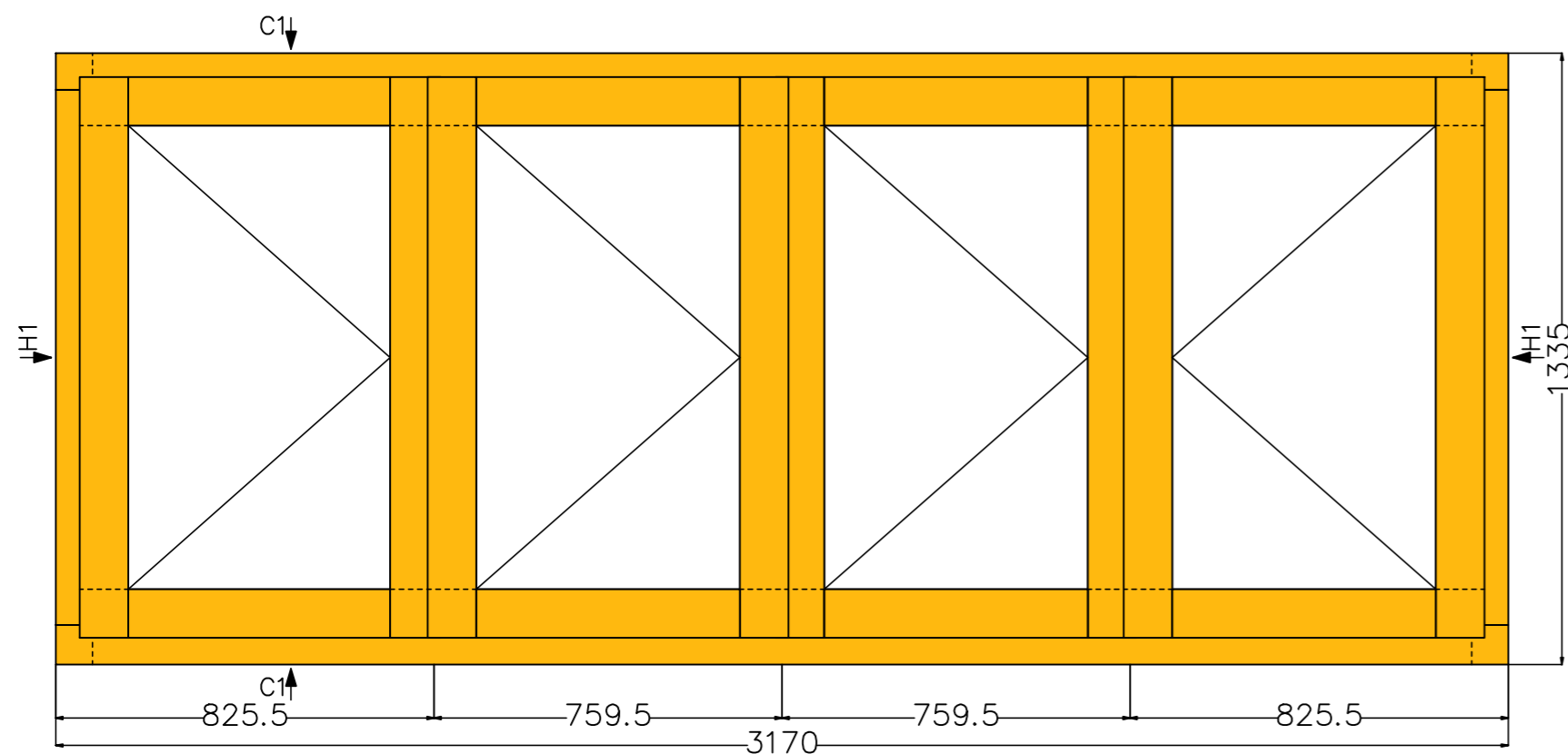
Section H1 (scale 1:2.5)



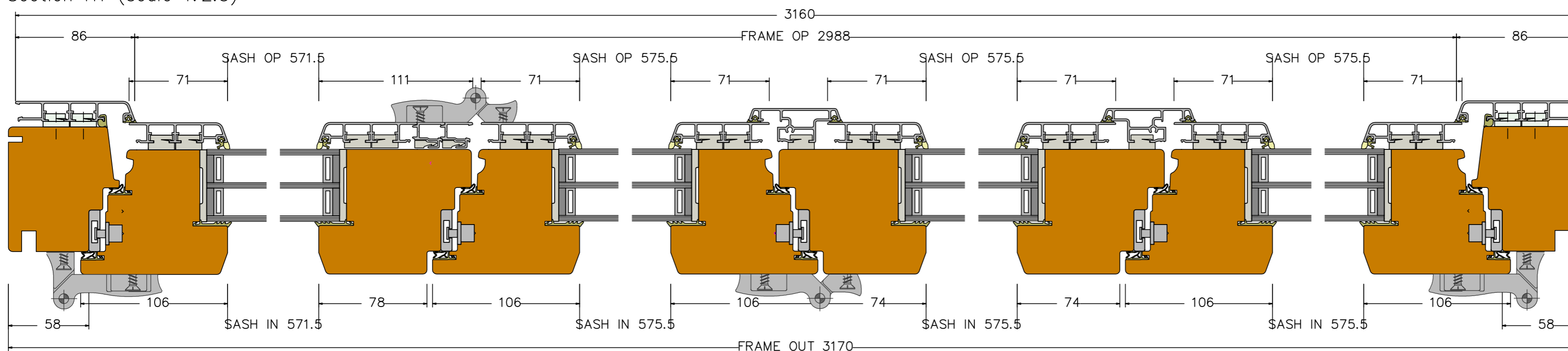
ThermaDura e-MOD Thermally Efficient Window/Door Modules	drawn	Date	Name
		31.05.2020	Rampe
Description: DesignLine e-MOD D505 Ti-Aluminium Bifold window 4-1-3			
<b>ThermaDura</b>	These drawings are protected by copyright and only to be used in conjunction with the supply of ThermaDura products. This drawing is an instrument of service and is provided for informational use only. © 2019 ThermaDura Ltd		



View from inside (scale 1:15)



Section H1 (scale 1:2.5)

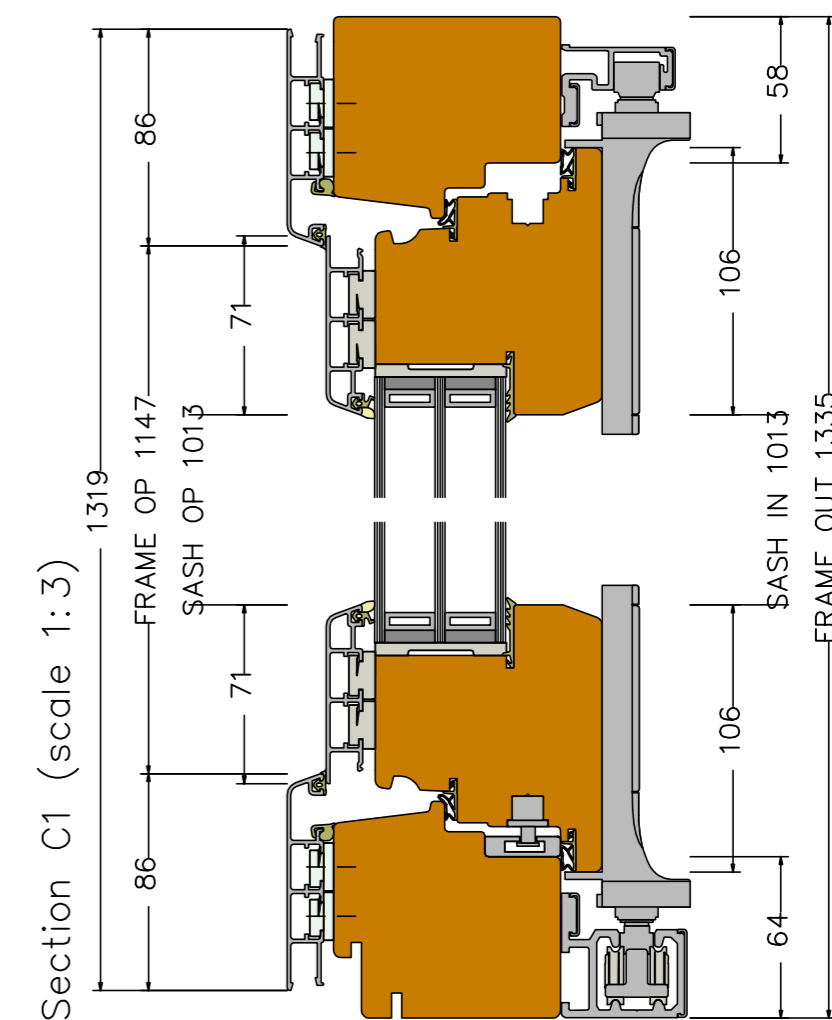
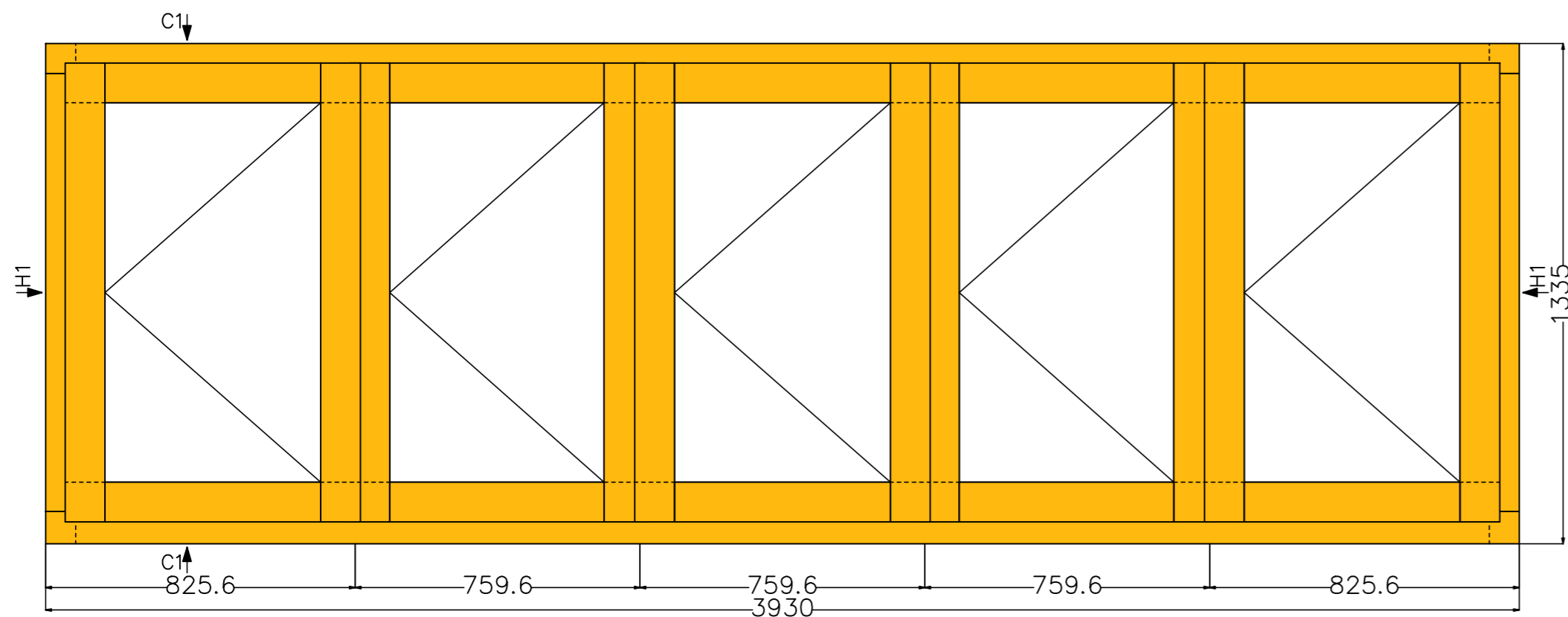


ThermaDura e-MOD Thermally Efficient Window/Door Modules	drawn	Date	Name
		31.05.2020	Rampe
Description: DesignLine e-MOD D506 Ti-Aluminium Bifold window 4-3-1			
<b>ThermaDura</b>	These drawings are protected by copyright and only to be used in conjunction with the supply of ThermaDura products. This drawing is an instrument of service and is provided for informational use only. © 2019 ThermaDura Ltd		

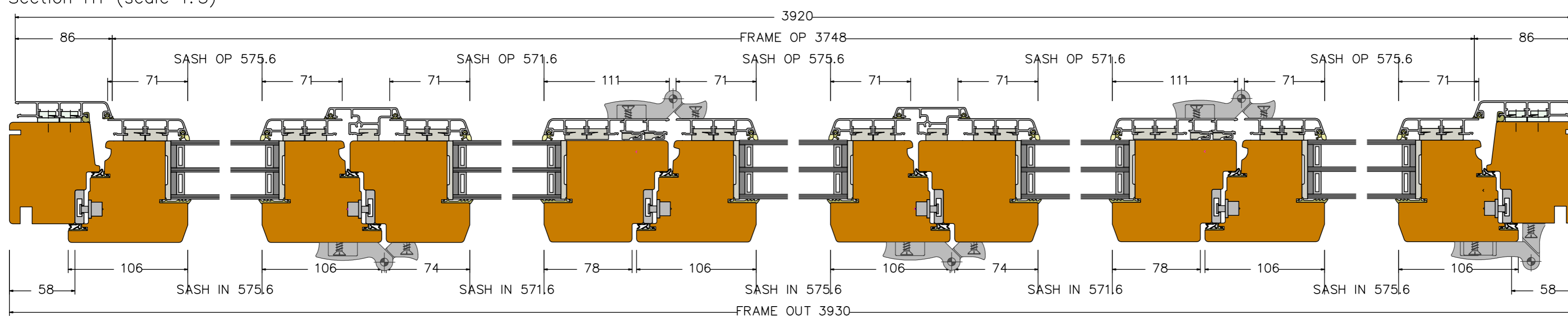




View from inside (scale 1:15)

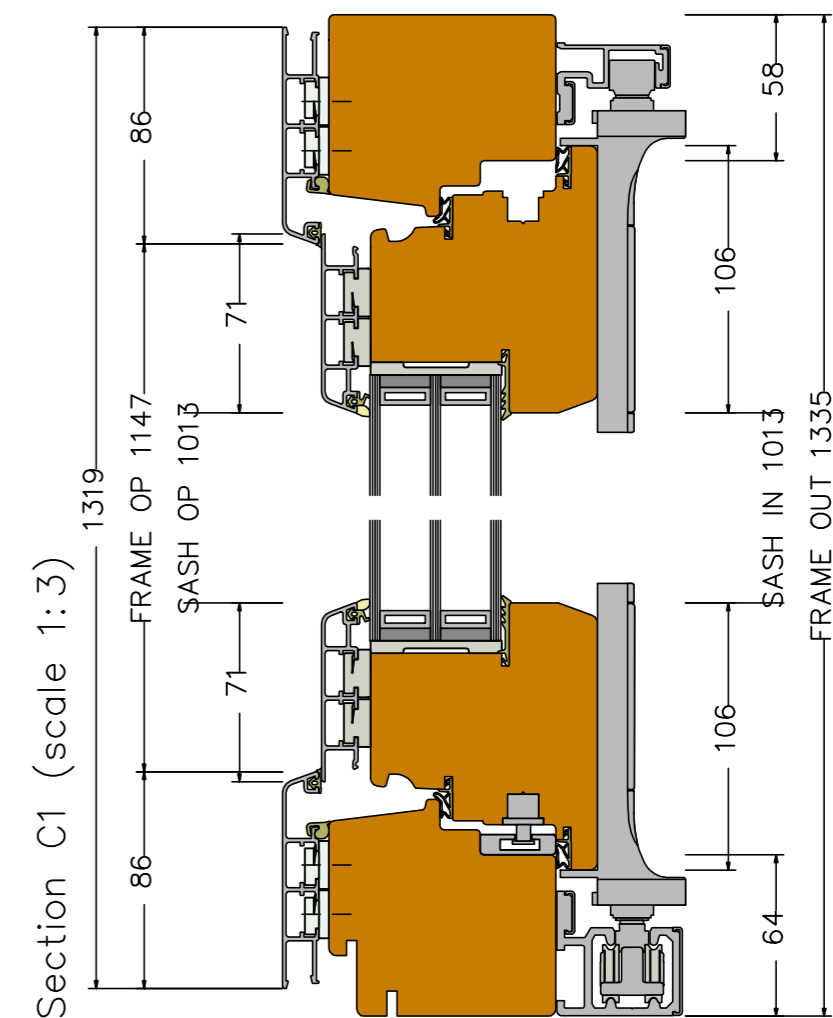
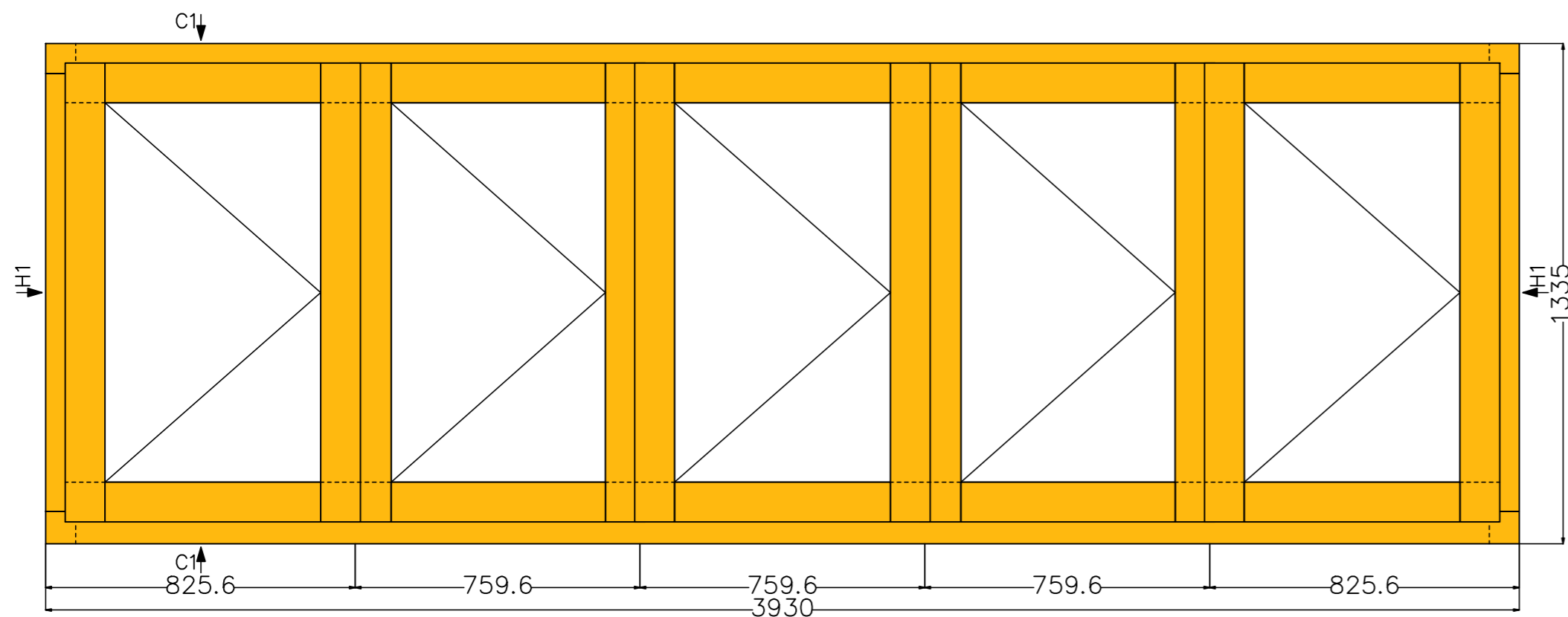


Section H1 (scale 1:3)

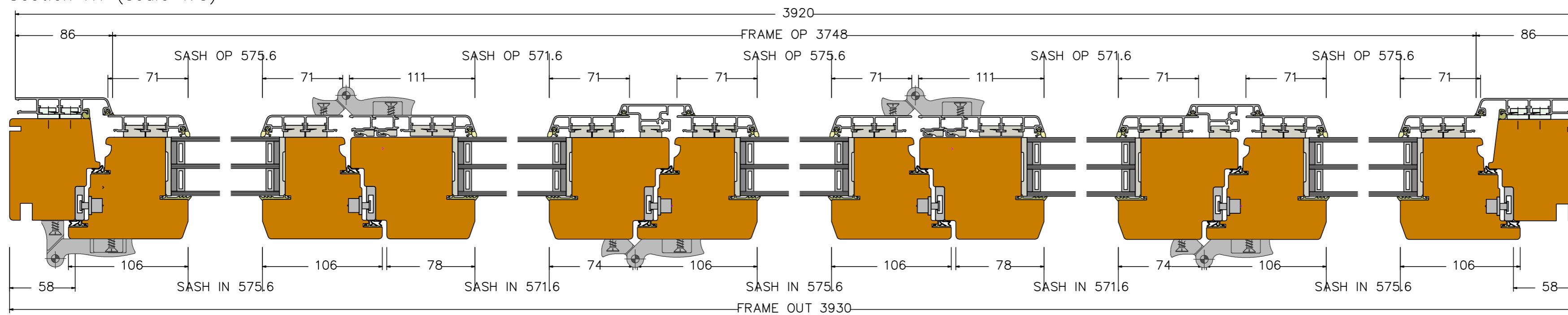


ThermaDura e-MOD Thermally Efficient Window/Door Modules	drawn	Date	Name
		31.05.2020	Rampe
Description: DesignLine e-MOD D507 Ti-Aluminium Bifold window 5-0-5			
<b>ThermaDura</b>	These drawings are protected by copyright and only to be used in conjunction with the supply of ThermaDura products. This drawing is an instrument of service and is provided for informational use only. © 2019 ThermaDura Ltd		

View from inside (scale 1:15)

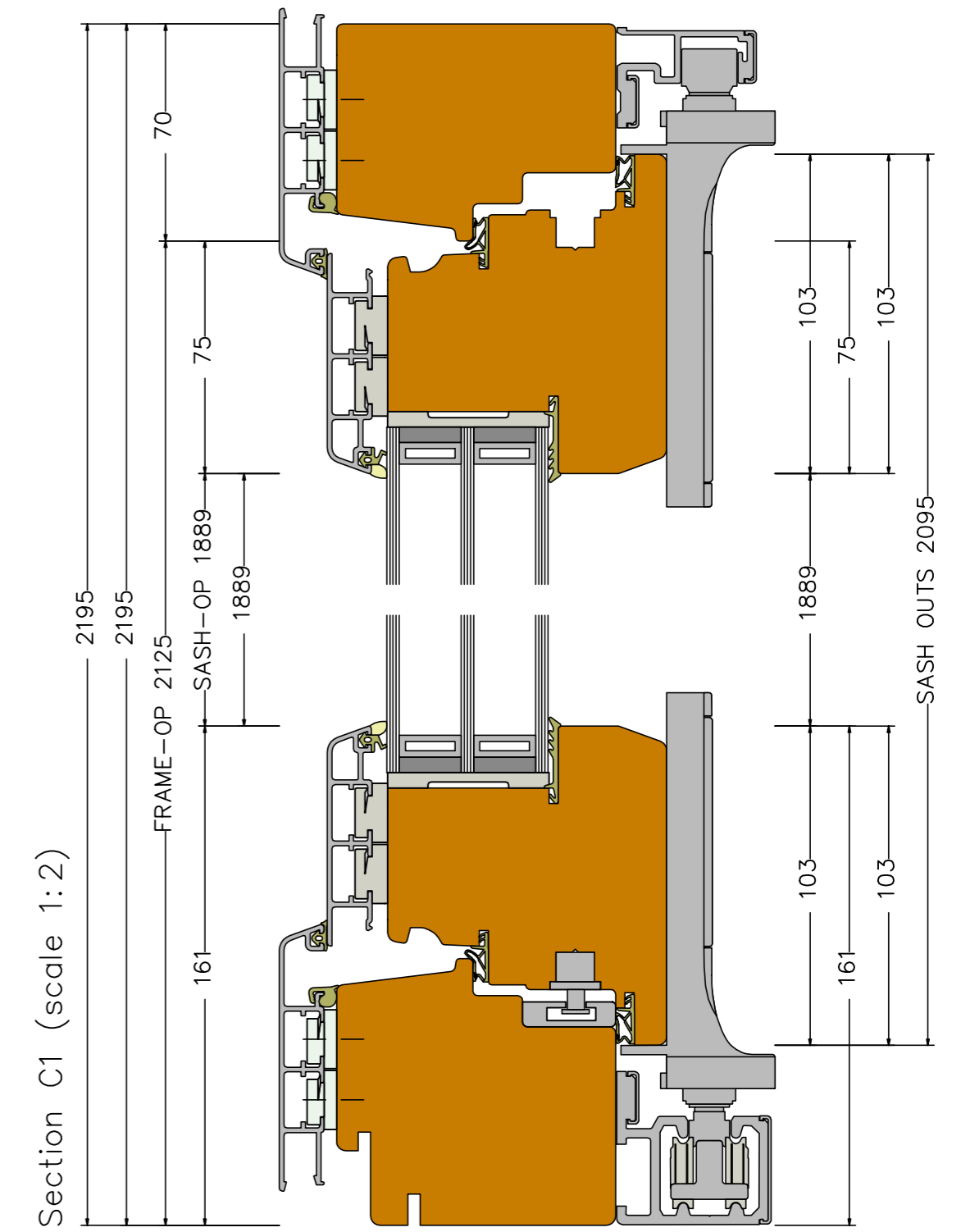
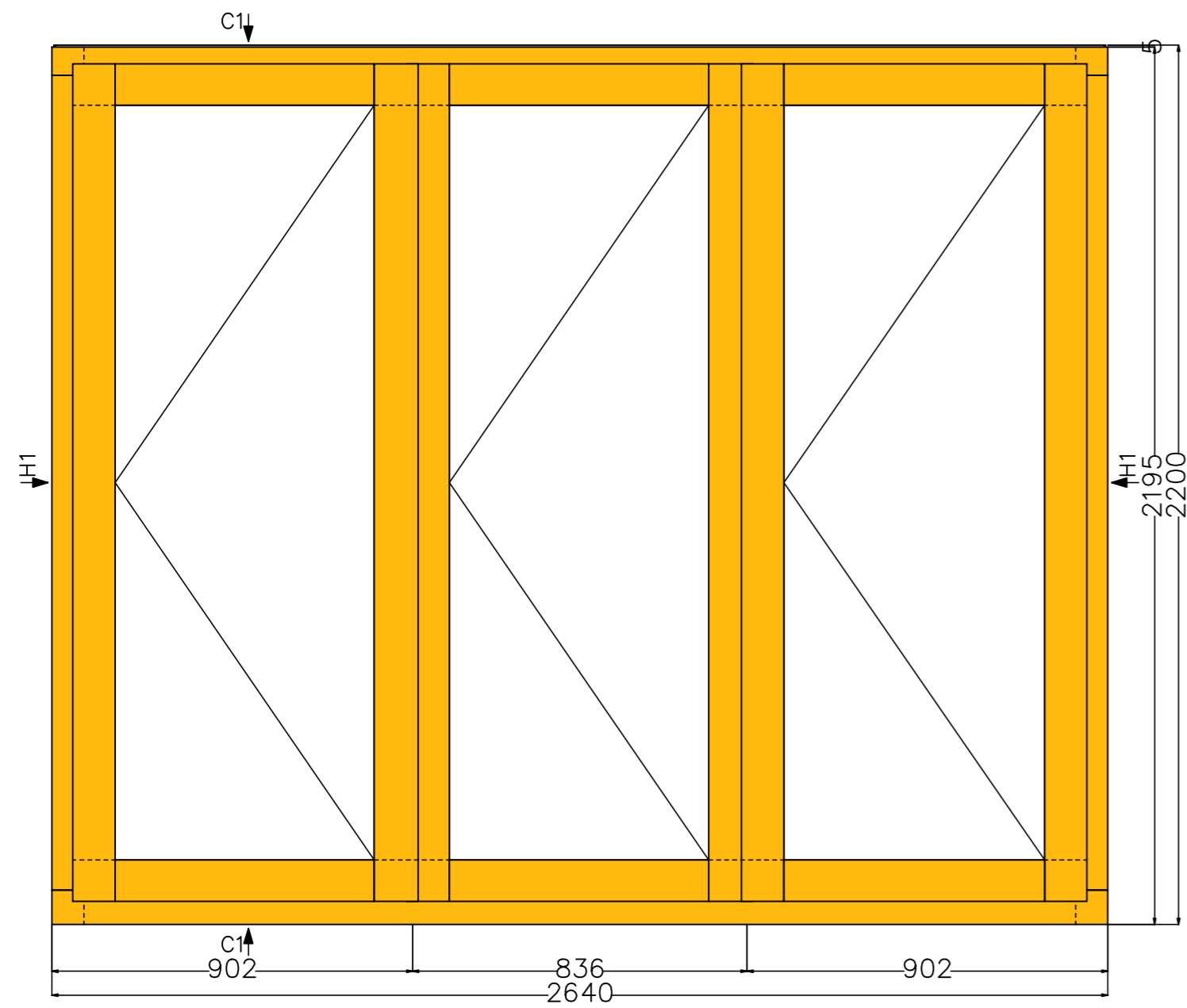


Section H1 (scale 1:3)

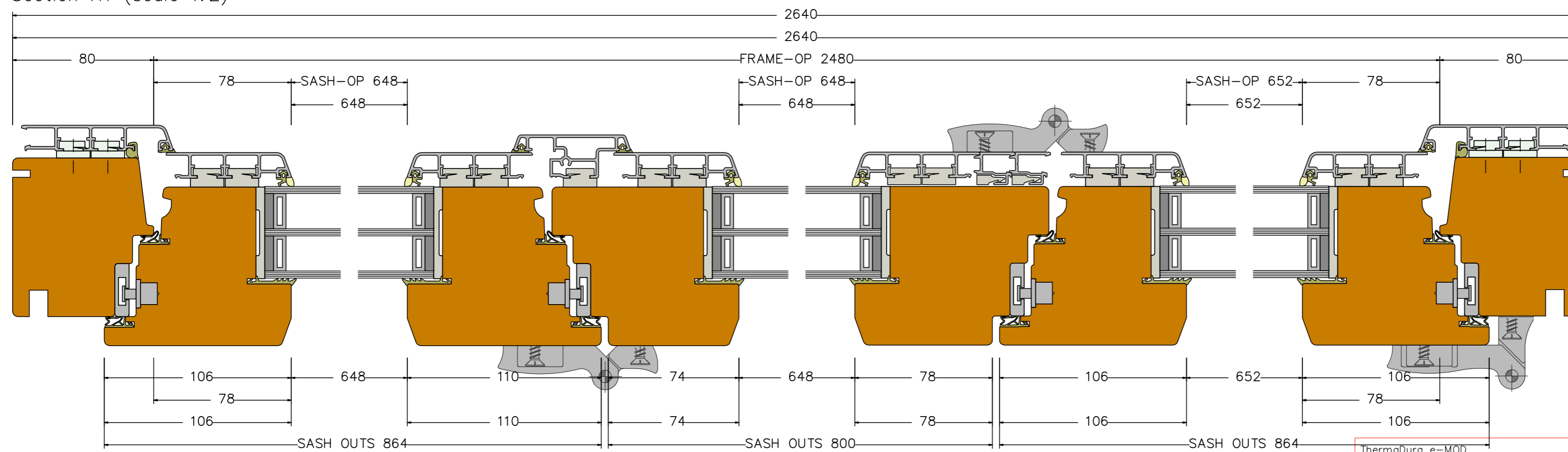


ThermaDura e-MOD Thermally Efficient Window/Door Modules	drawn	Date	Name
		31.05.2020	Rampe
Description: DesignLine e-MOD D508 TI-Aluminium Bifold window 5-5-0			
<b>ThermaDura</b>	These drawings are protected by copyright and only to be used in conjunction with the supply of ThermaDura products. This drawing is an instrument of service and is provided for informational use only. © 2019 ThermaDura Ltd		

View from inside (scale 1:15)

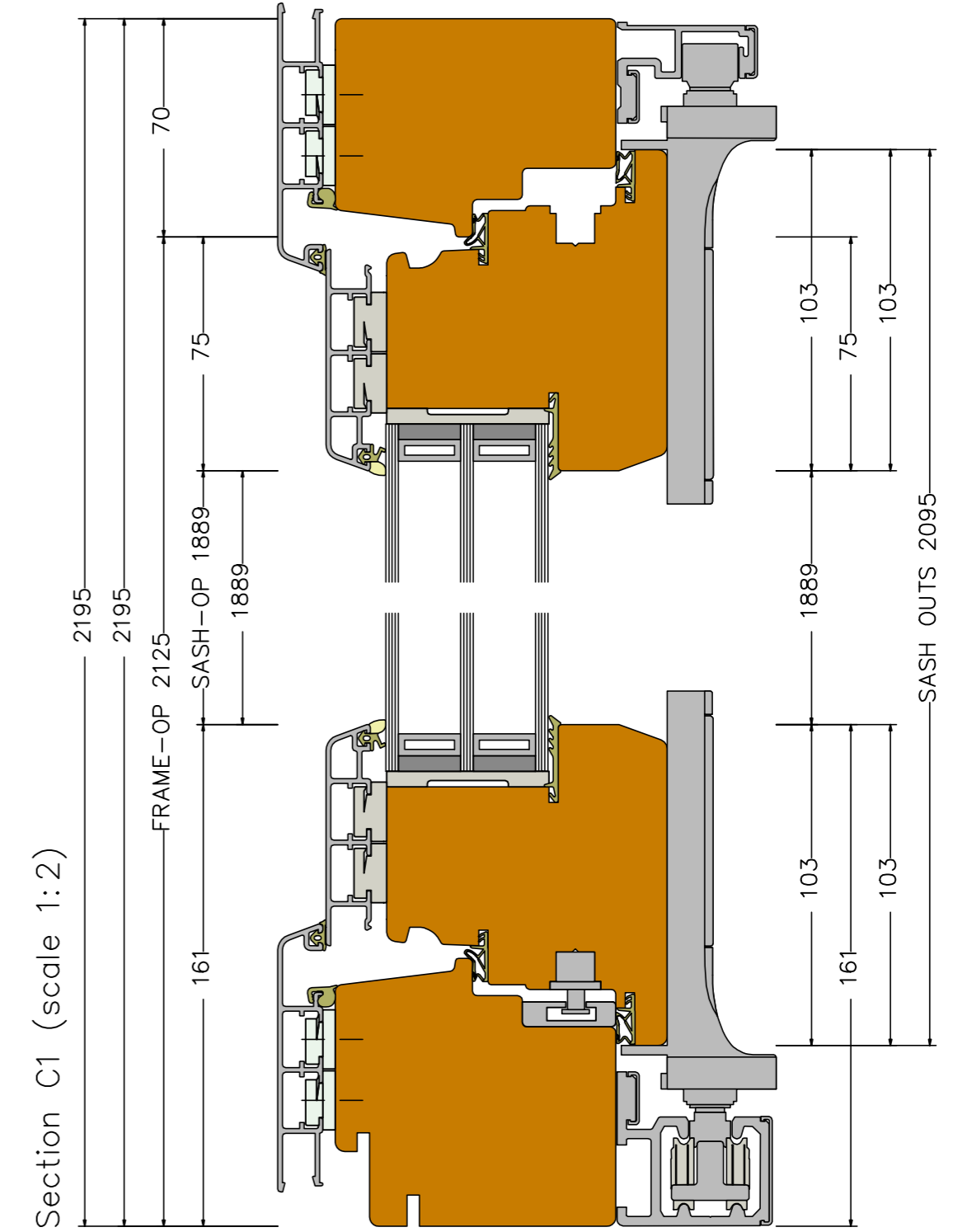
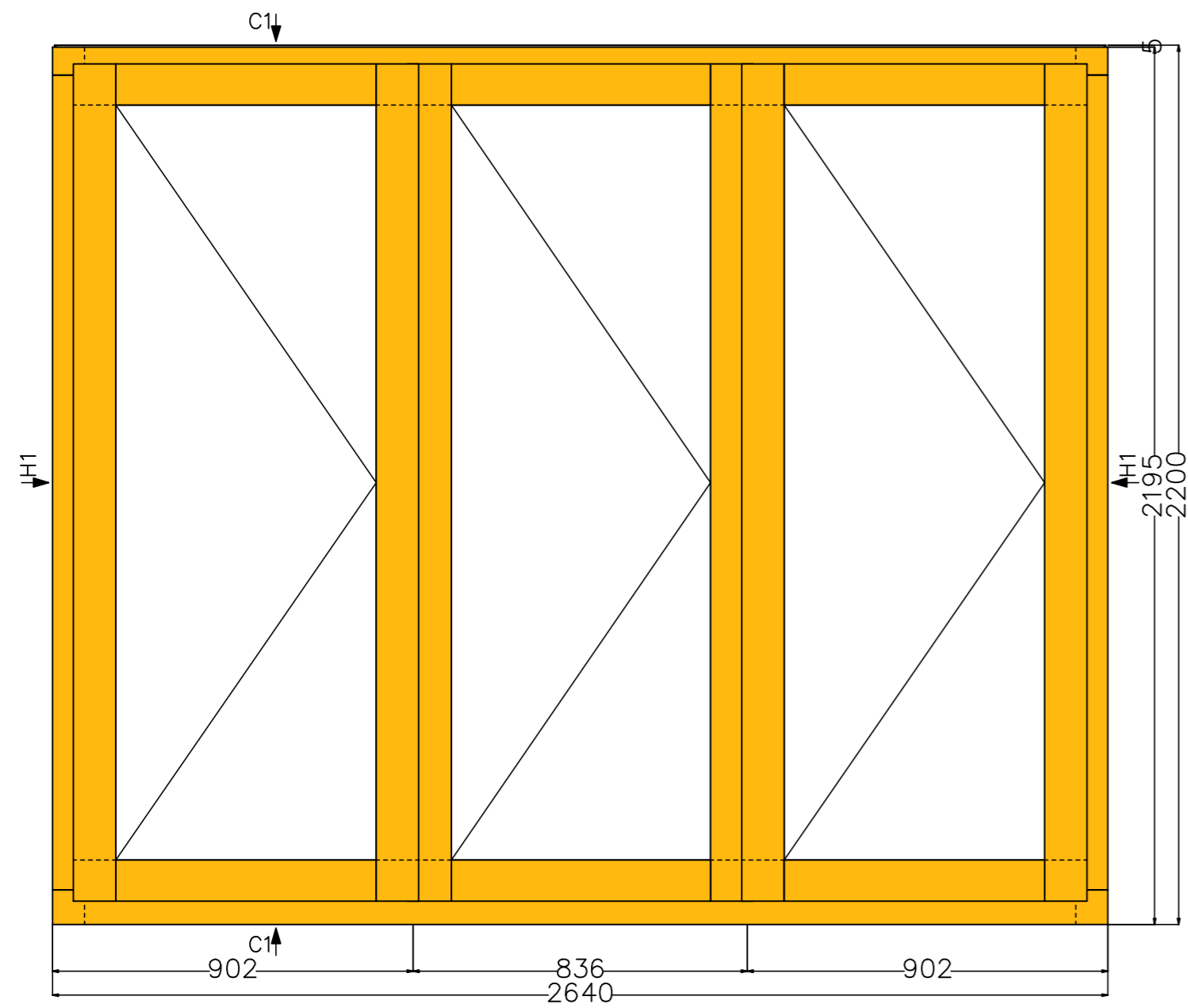


Section H1 (scale 1:2)

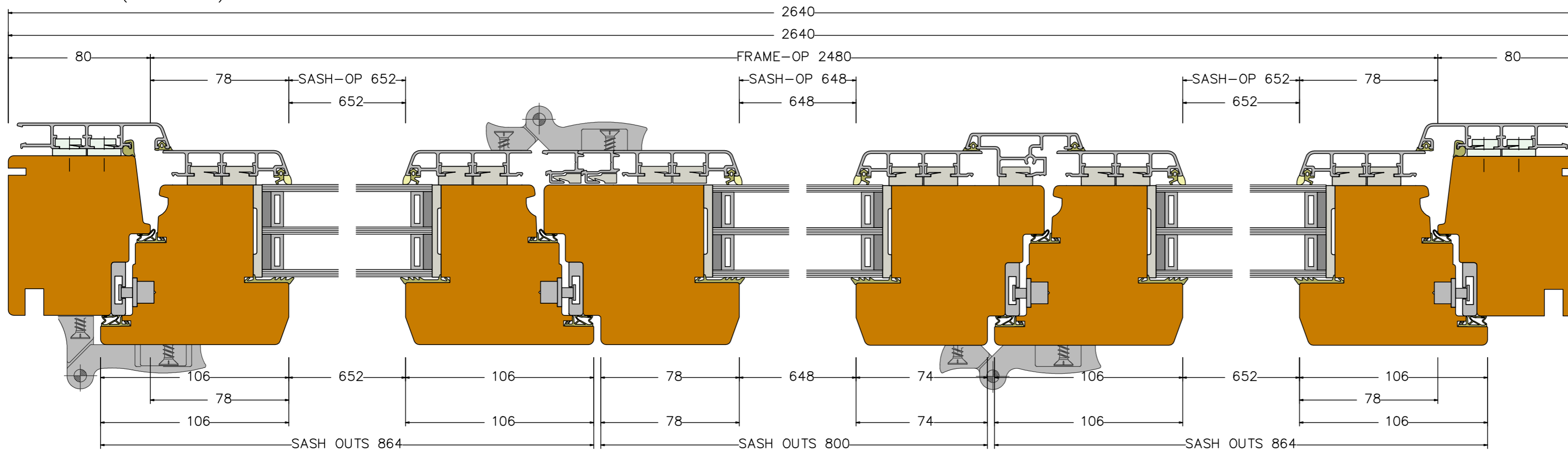


ThermaDura e-MOD Thermally Efficient Window/Door Modules	drawn	Date	Name
Description: DesignLine e-MOD D551 Ti-Aluminium Bifold door 3-0-3		31.05.2020	Rampe
<b>ThermaDura</b>	These drawings are protected by copyright and only to be used in conjunction with the supply of Thermadura products. This drawing is an instrument of service and is provided for informational use only. © 2019 Thermadura Ltd		

View from inside (scale 1:15)

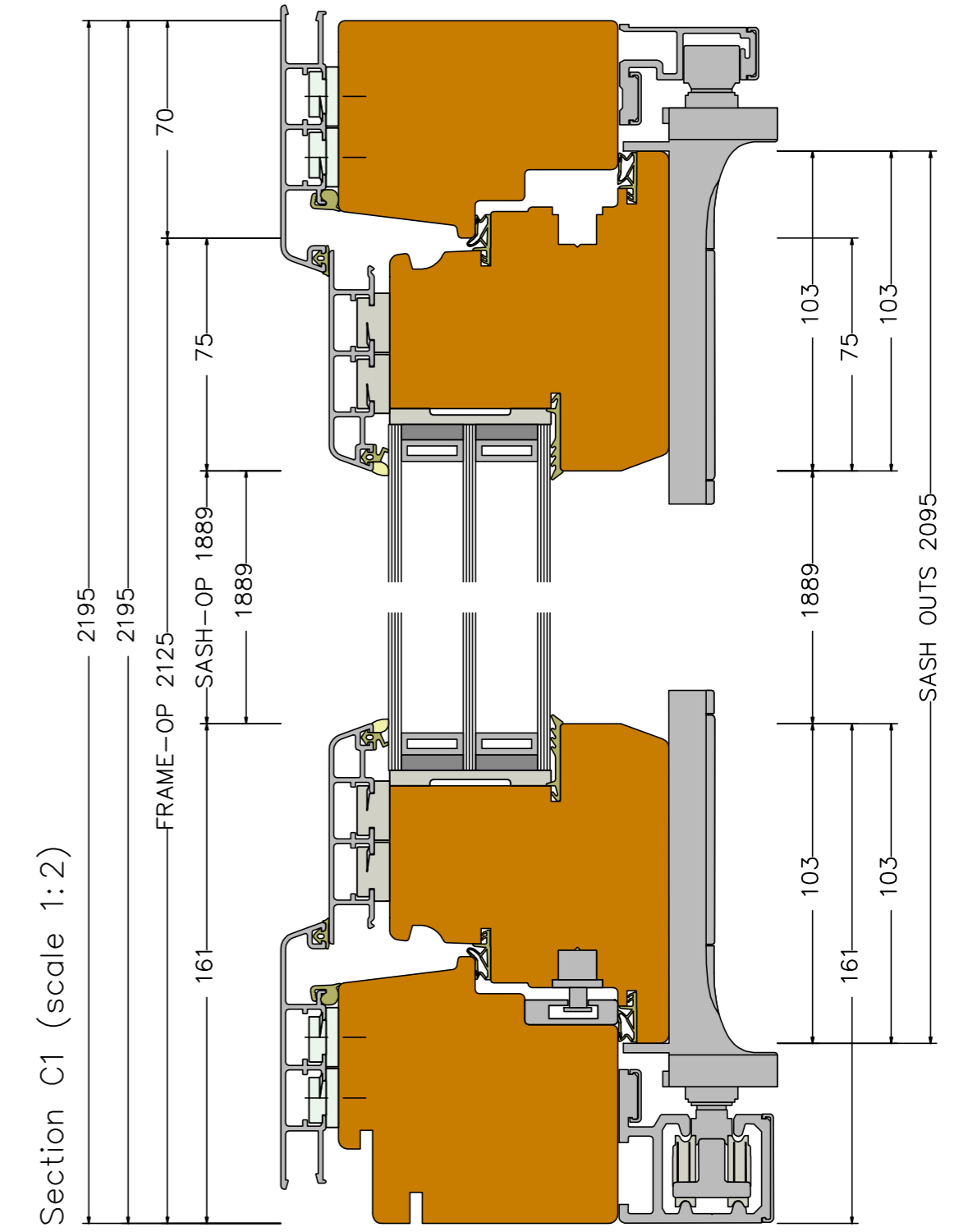
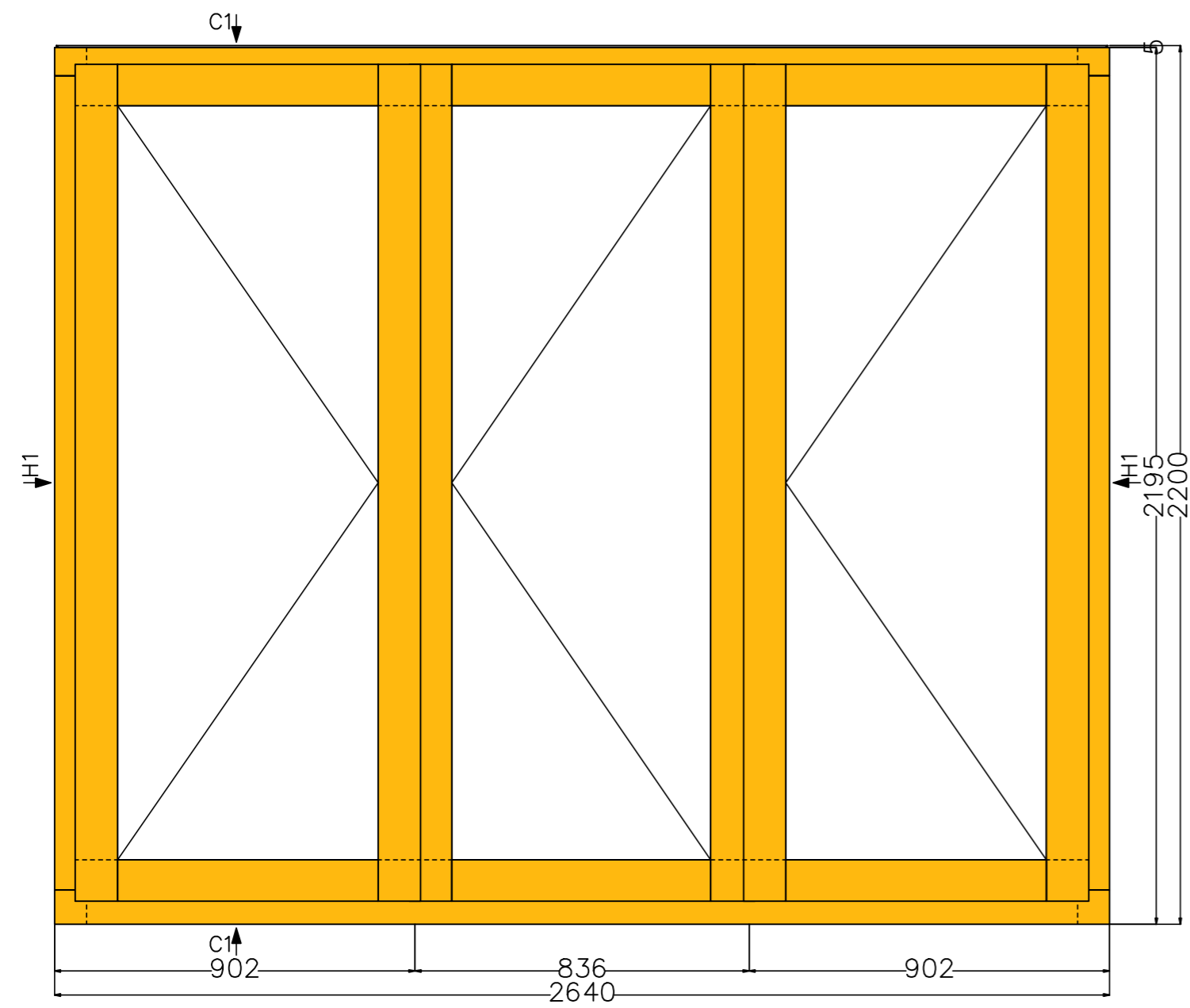


Section H1 (scale 1:2)

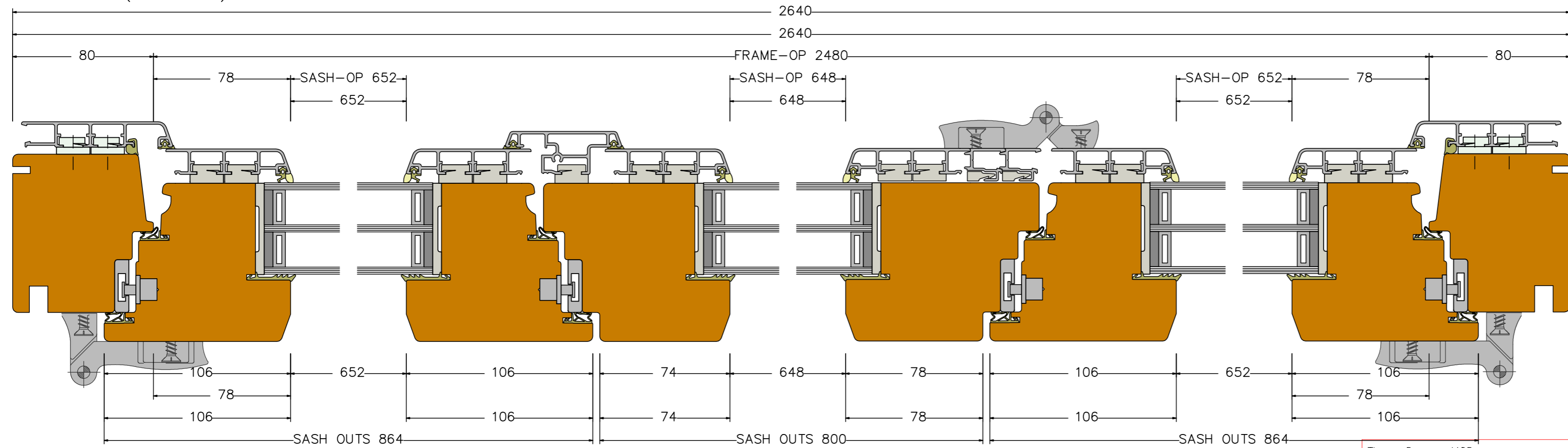


ThermaDura e-MOD Thermally Efficient Window/Door Modules	drawn	Date	Name
		31.05.2020	Rampe
Description: DesignLine e-MOD D552 TI-Aluminium Bifold door 3-3-0			
<b>ThermaDura</b>	These drawings are protected by copyright and only to be used in conjunction with the supply of Thermadura products. This drawing is an instrument of service and is provided for informational use only. © 2019 Thermadura Ltd		

View from inside (scale 1:15)

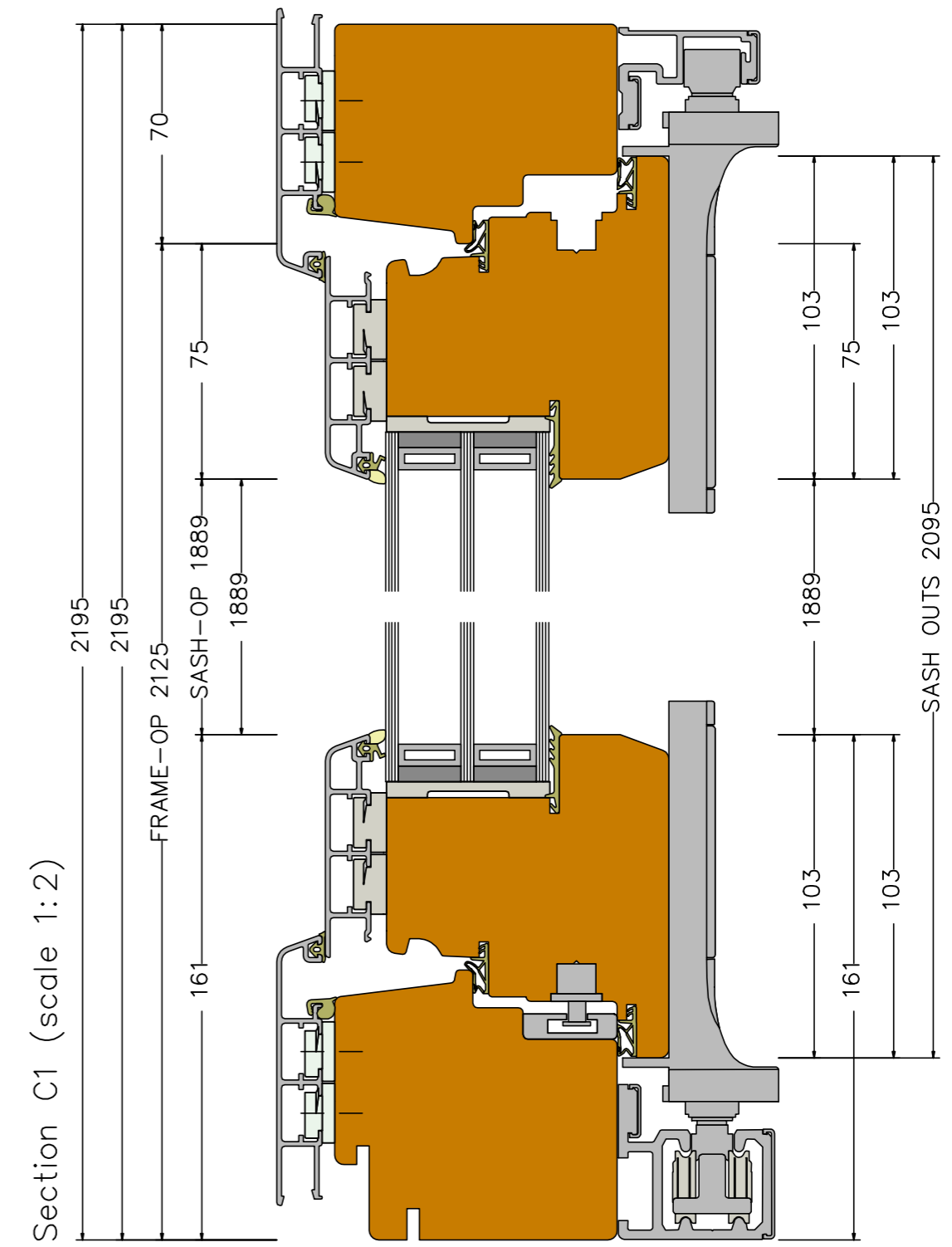
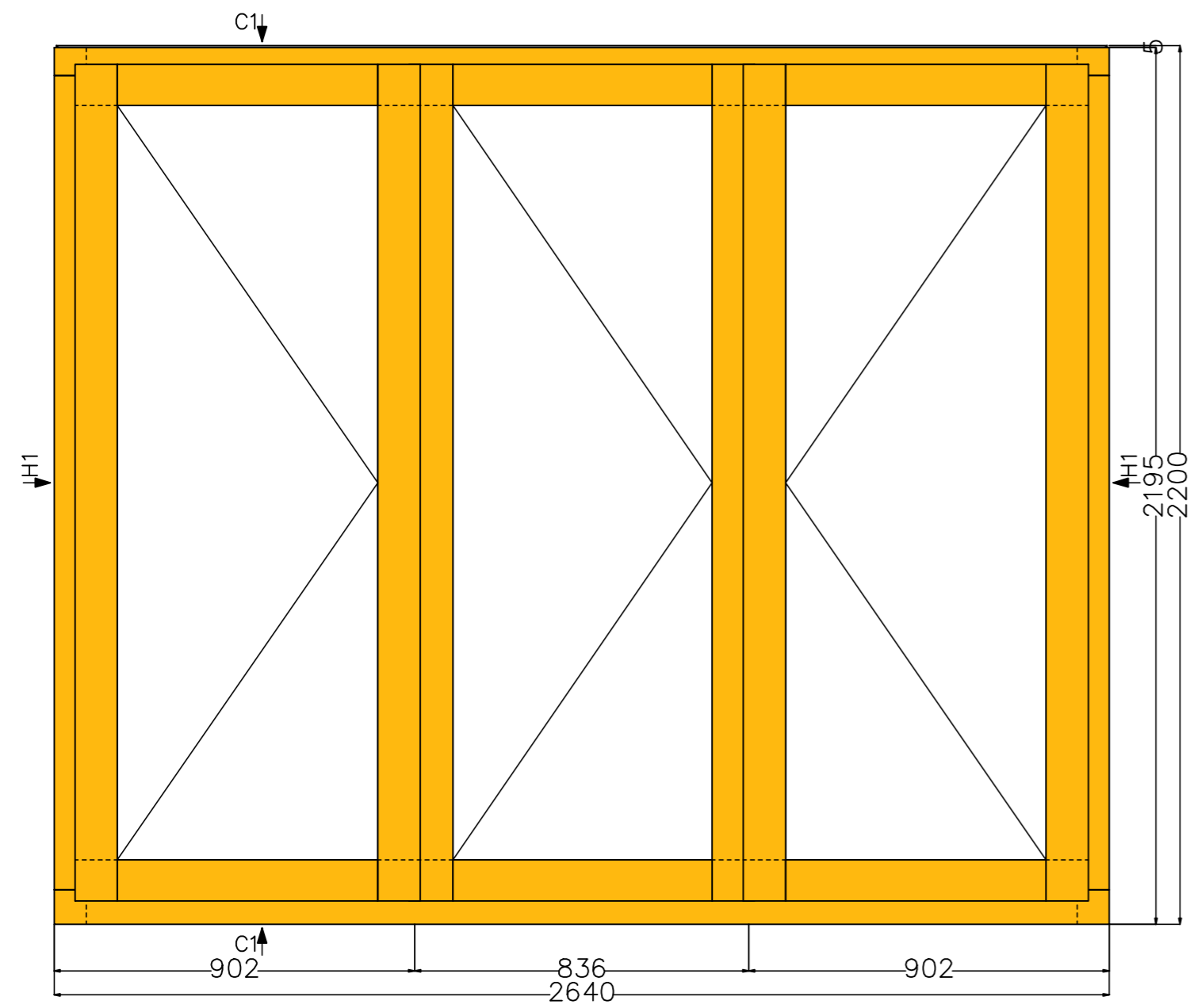


Section H1 (scale 1:2)

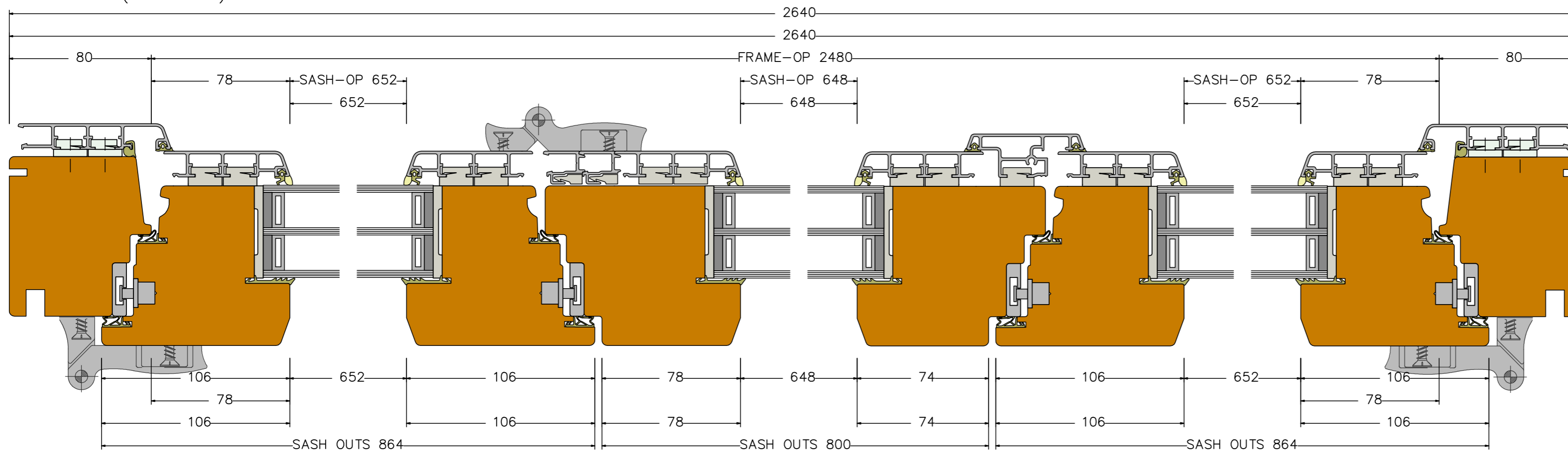


ThermaDura e-MOD Thermally Efficient Window/Door Modules	drawn	Date	Name
Description: DesignLine e-MOD D553 Ti-Aluminium Bifold door 3-1-2		31.05.2020	Rampe
<b>ThermaDura</b>	These drawings are protected by copyright and only to be used in conjunction with the supply of Thermadura products. This drawing is an instrument of service and is provided for informational use only. © 2019 ThermaDura Ltd		

View from inside (scale 1:15)

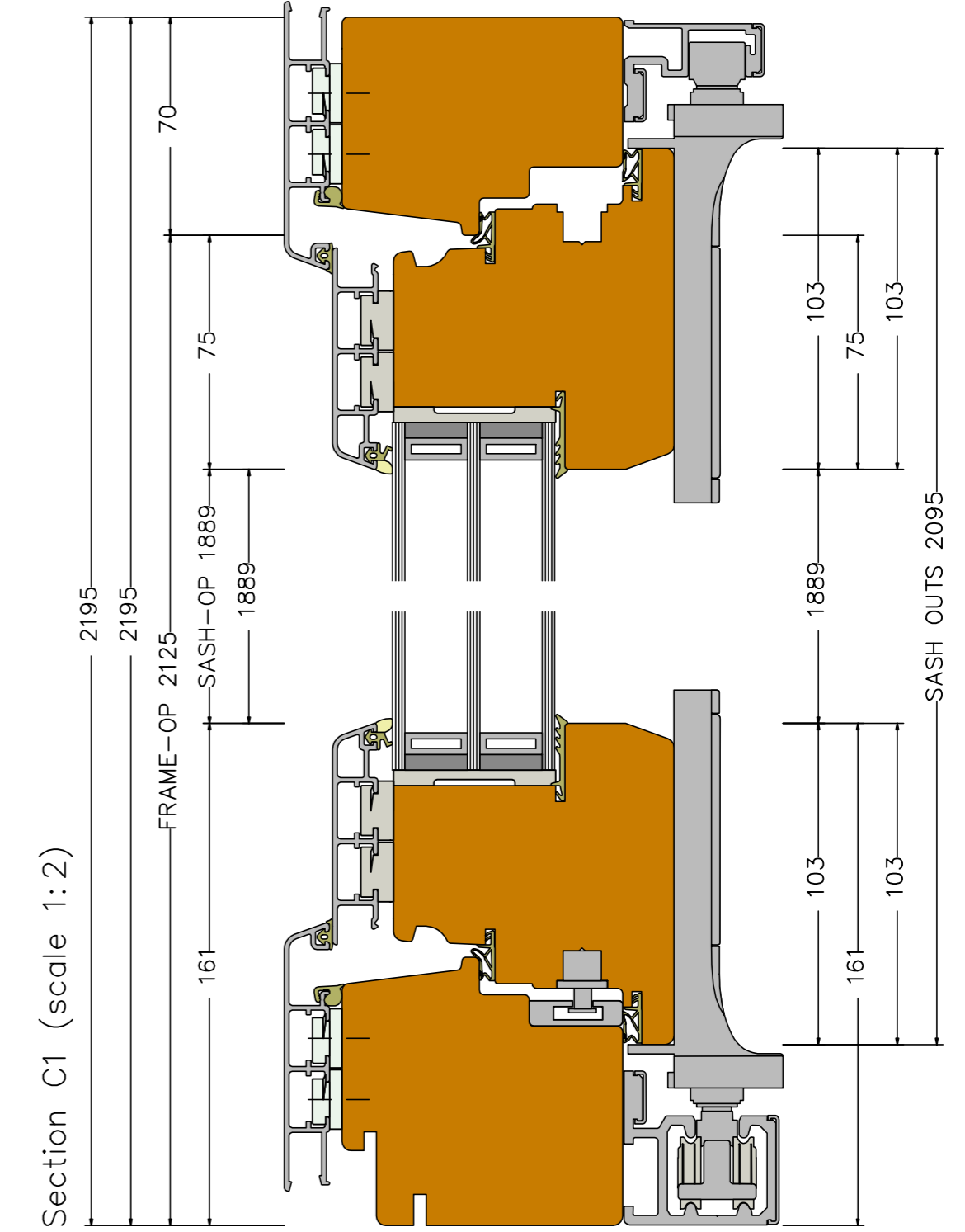
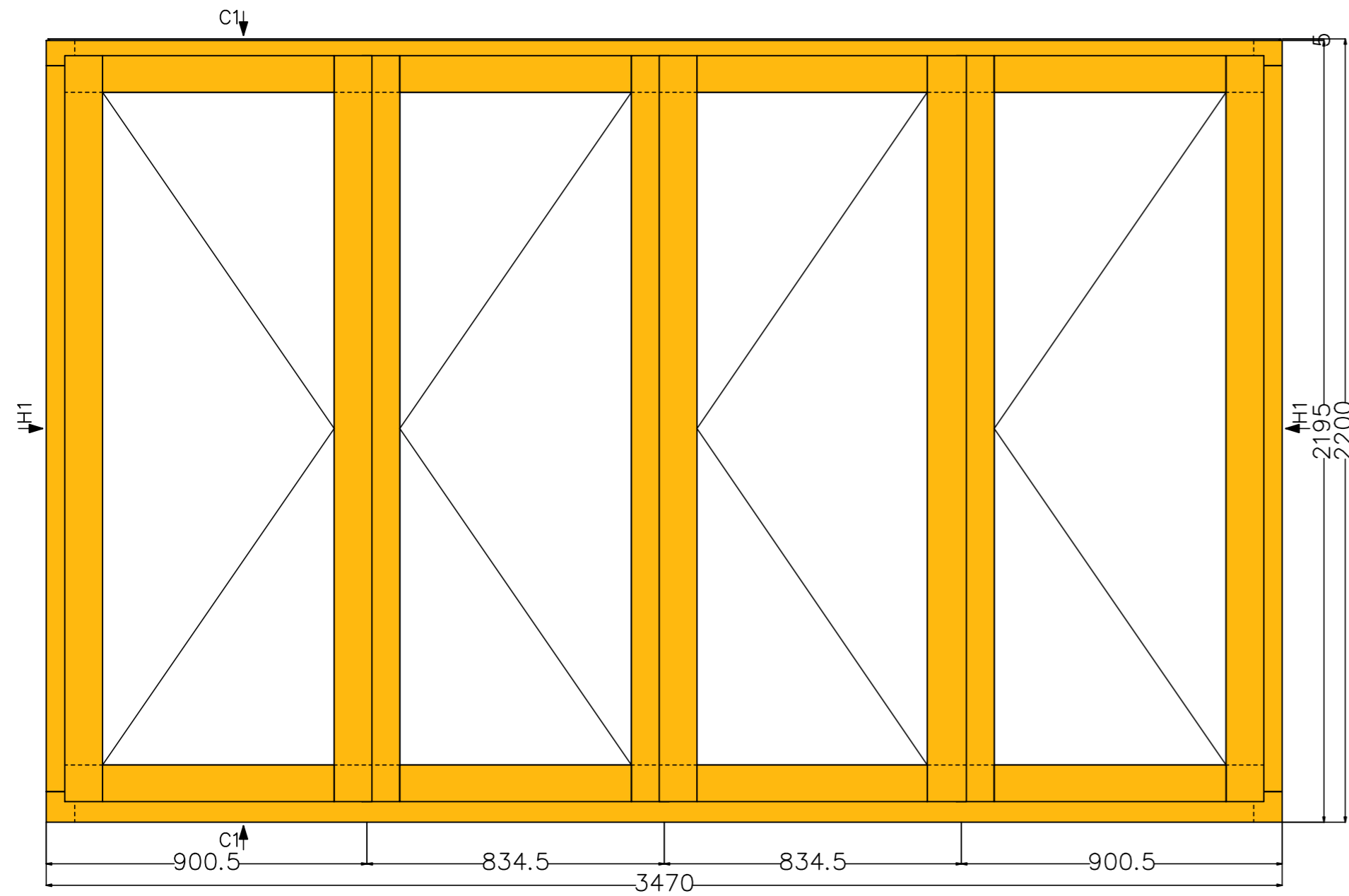


Section H1 (scale 1:2)

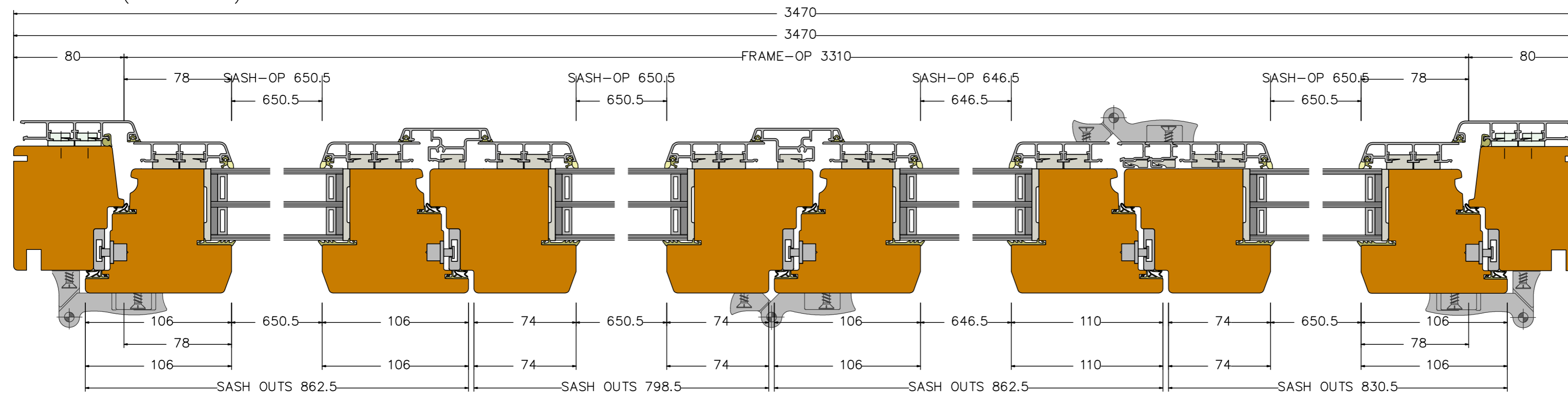


ThermaDura e-MOD Thermally Efficient Window/Door Modules	drawn	Date	Name
		31.05.2020	Rampe
Description: DesignLine e-MOD D554 TI-Aluminium Bifold door 3-2-1			
<b>ThermaDura</b>	These drawings are protected by copyright and only to be used in conjunction with the supply of ThermaDura products. This drawing is an instrument of service and is provided for informational use only. © 2019 ThermaDura Ltd		

View from inside (scale 1:15)

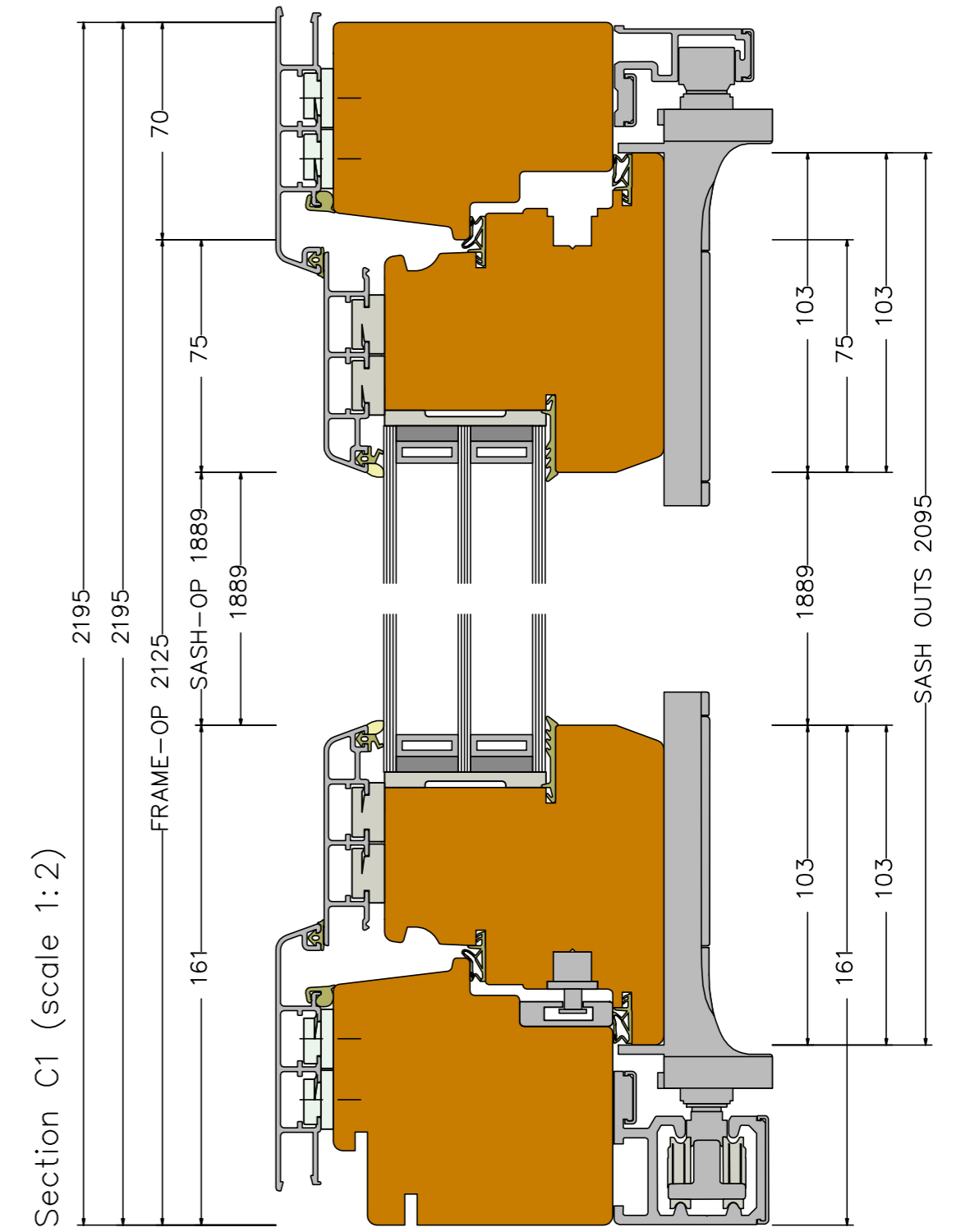
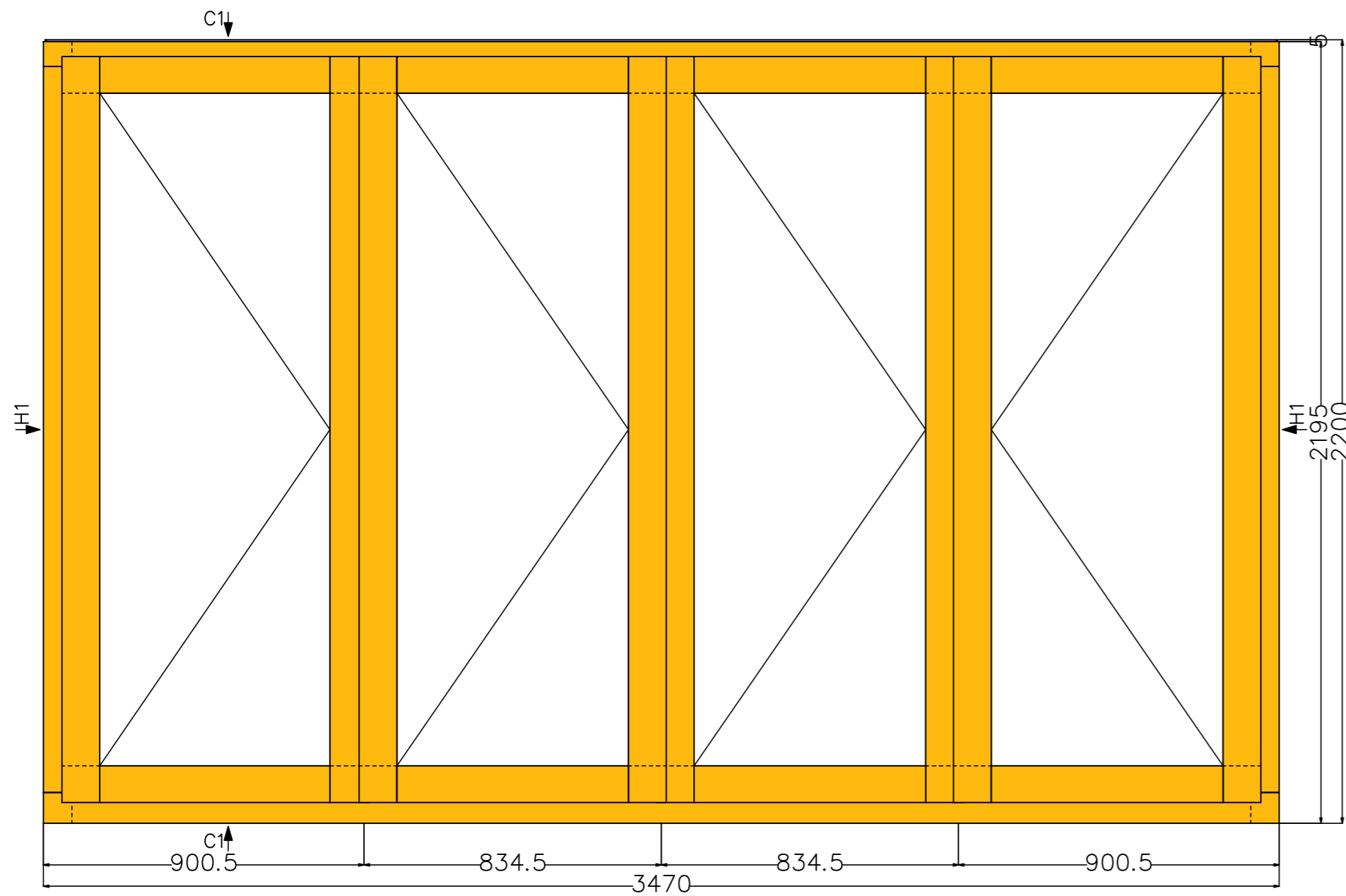


Section H1 (scale 1:2.5)

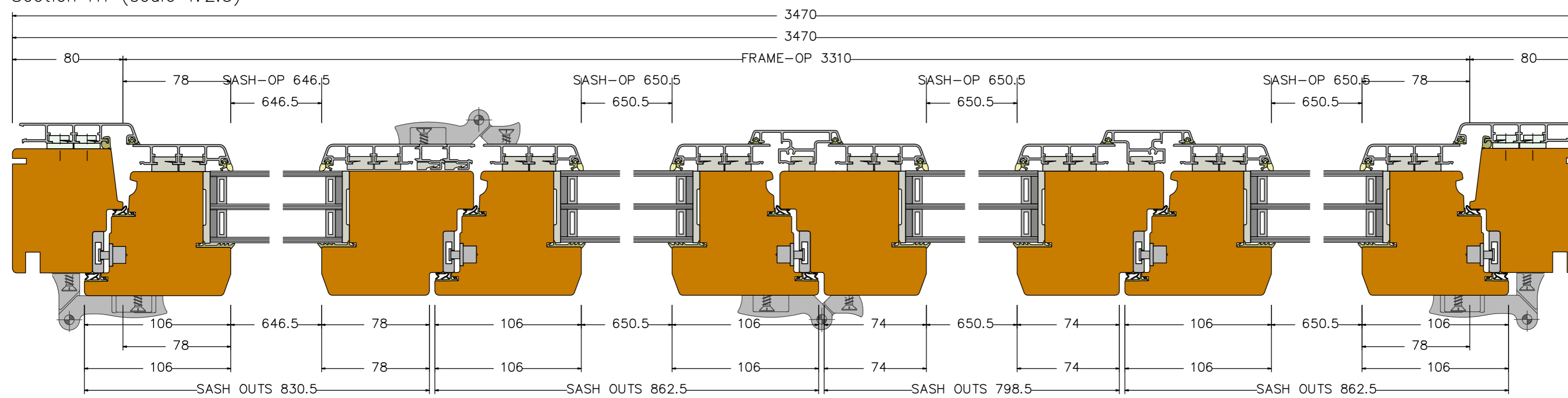


ThermaDura e-MOD Thermally Efficient Window/Door Modules	drawn	Date	Name
		31.05.2020	Rampe
Description: DesignLine e-MOD D555 TI-Aluminium Bifold door 4-1-3			
<b>ThermaDura</b>	These drawings are protected by copyright and only to be used in conjunction with the supply of Thermadura products. This drawing is an instrument of service and is provided for informational use only. © 2019 Thermadura Ltd		

View from inside (scale 1:15)



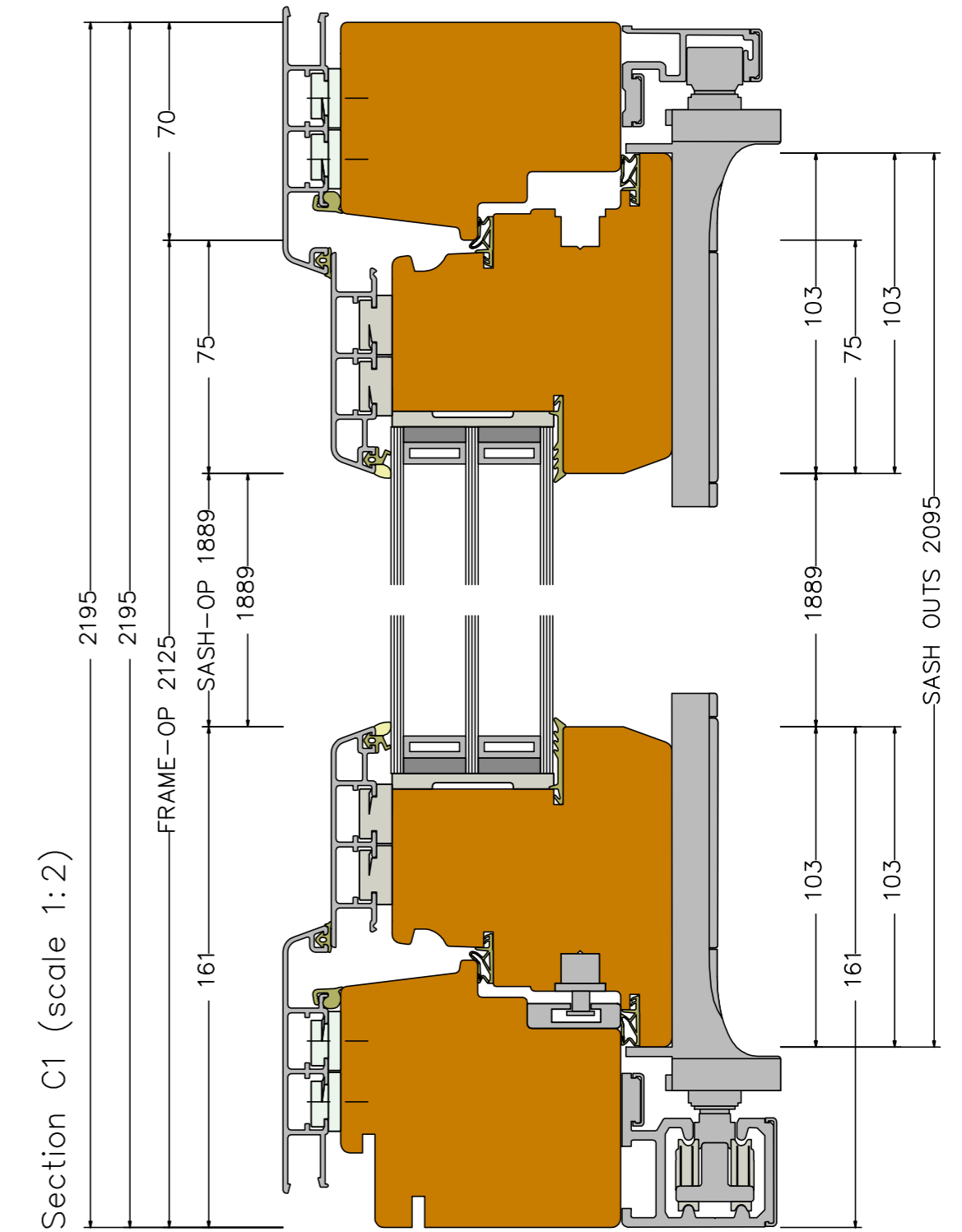
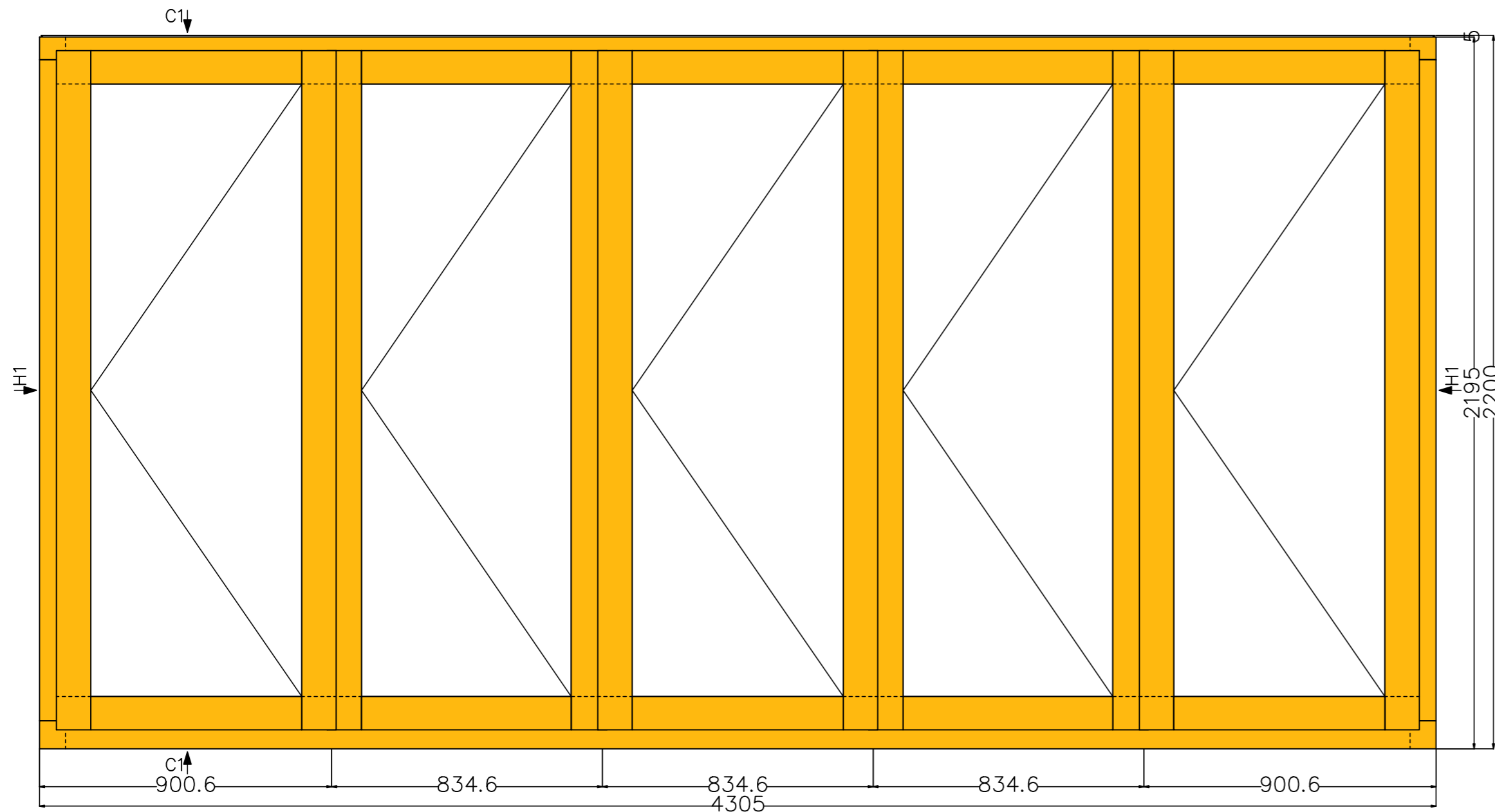
Section H1 (scale 1:2.5)



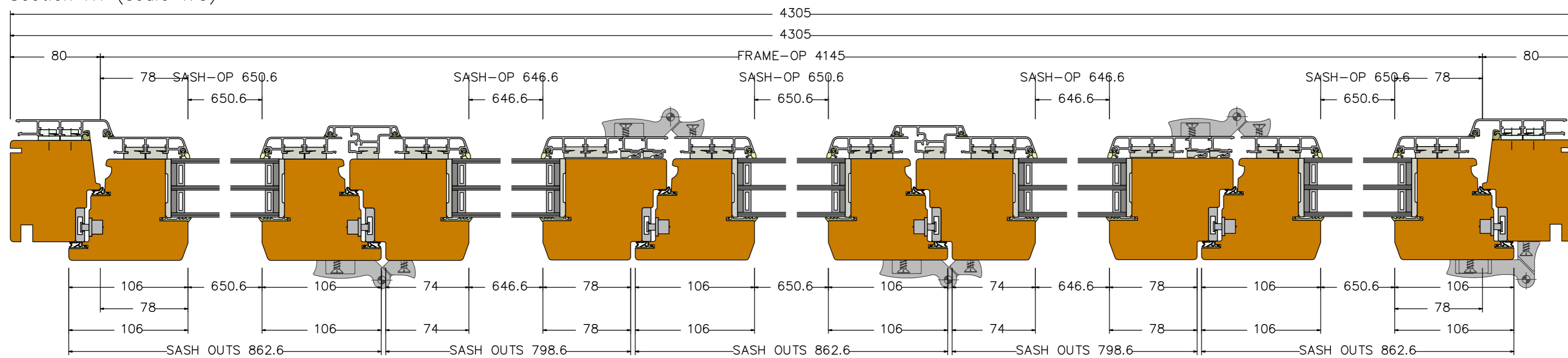
ThermaDura e-MOD Thermally Efficient Window/Door Modules	drawn	Date	Name
		31.05.2020	Rampe
Description: DesignLine e-MOD D556 TI-Aluminium Bifold door 4-3-1			
<b>ThermaDura</b>	These drawings are protected by copyright and only to be used in conjunction with the supply of ThermaDura products. This drawing is an instrument of service and is provided for informational use only. © 2019 ThermaDura Ltd		



View from inside (scale 1:15)

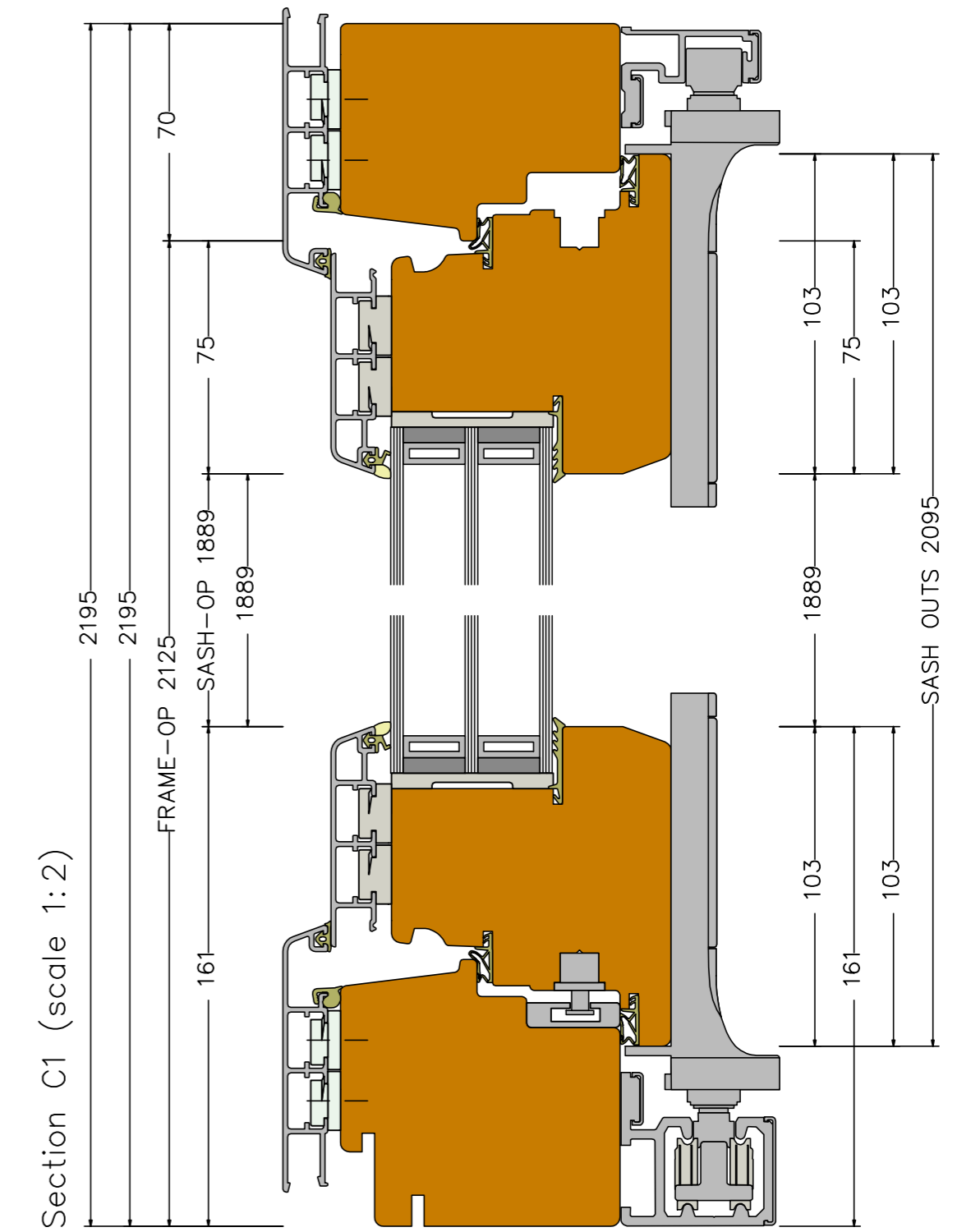
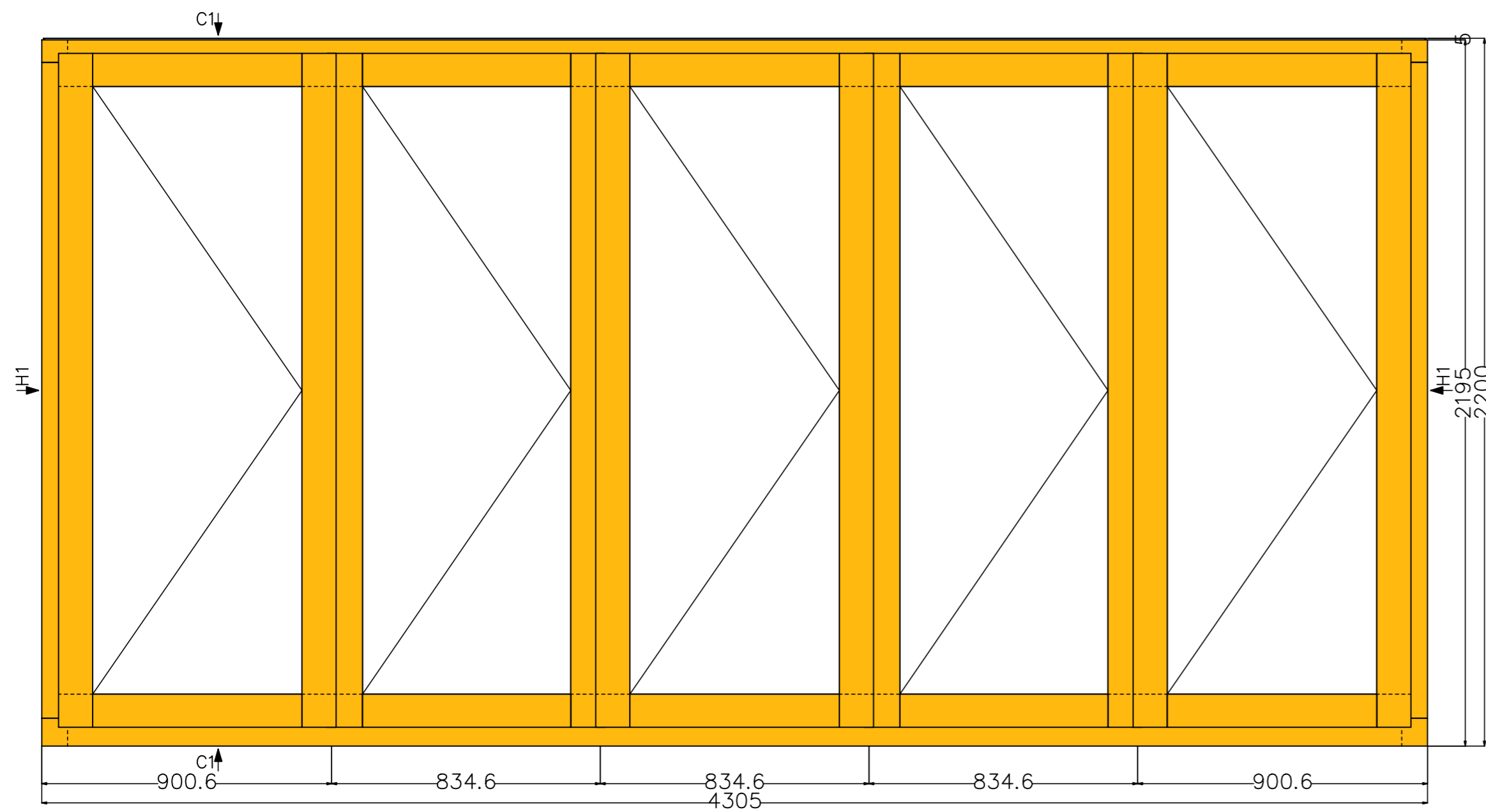


Section H1 (scale 1:3)

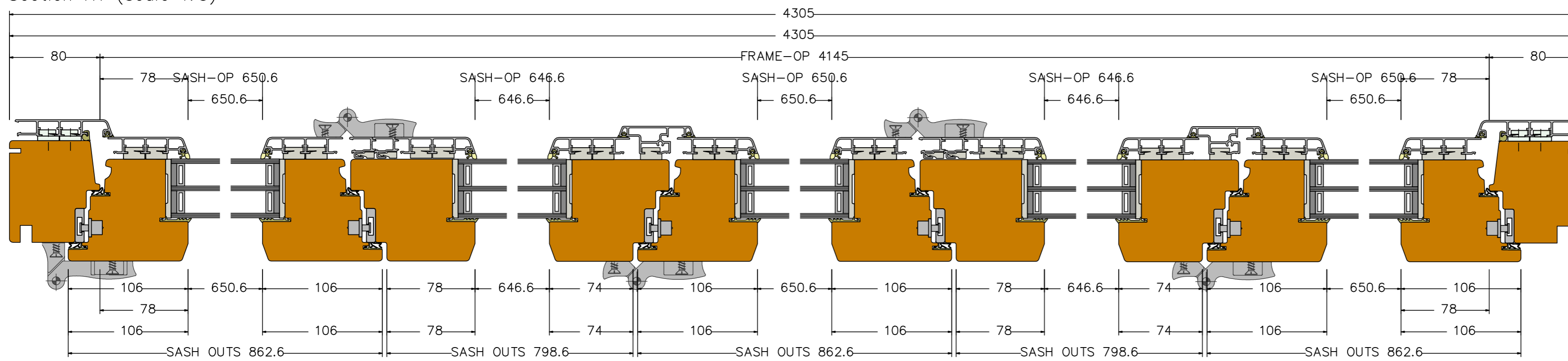


ThermaDura e-MOD Thermally Efficient Window/Door Modules	drawn	Date	Name
		31.05.2020	Rampe
Description: DesignLine e-MOD D557 Ti-Aluminium Bifold door 5-0-5			
<b>ThermaDura</b>	These drawings are protected by copyright and only to be used in conjunction with the supply of ThermaDura products. This drawing is an instrument of service and is provided for informational use only. © 2019 ThermaDura Ltd		

View from inside (scale 1:15)

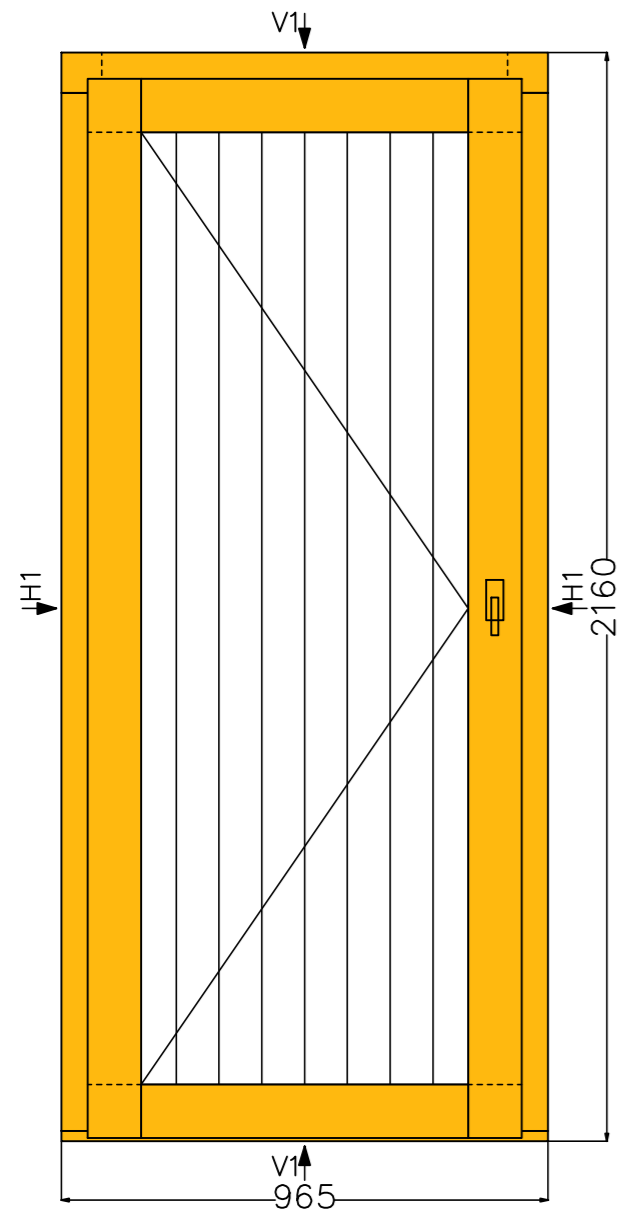


Section H1 (scale 1:3)

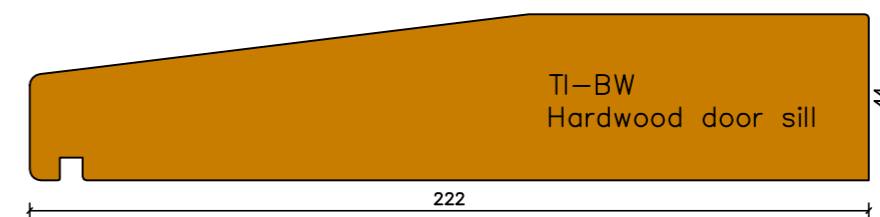
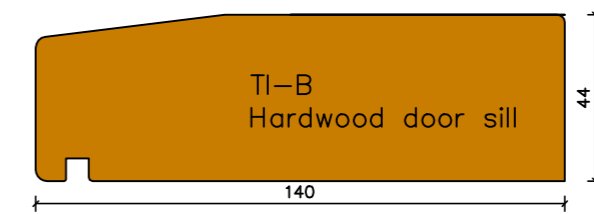
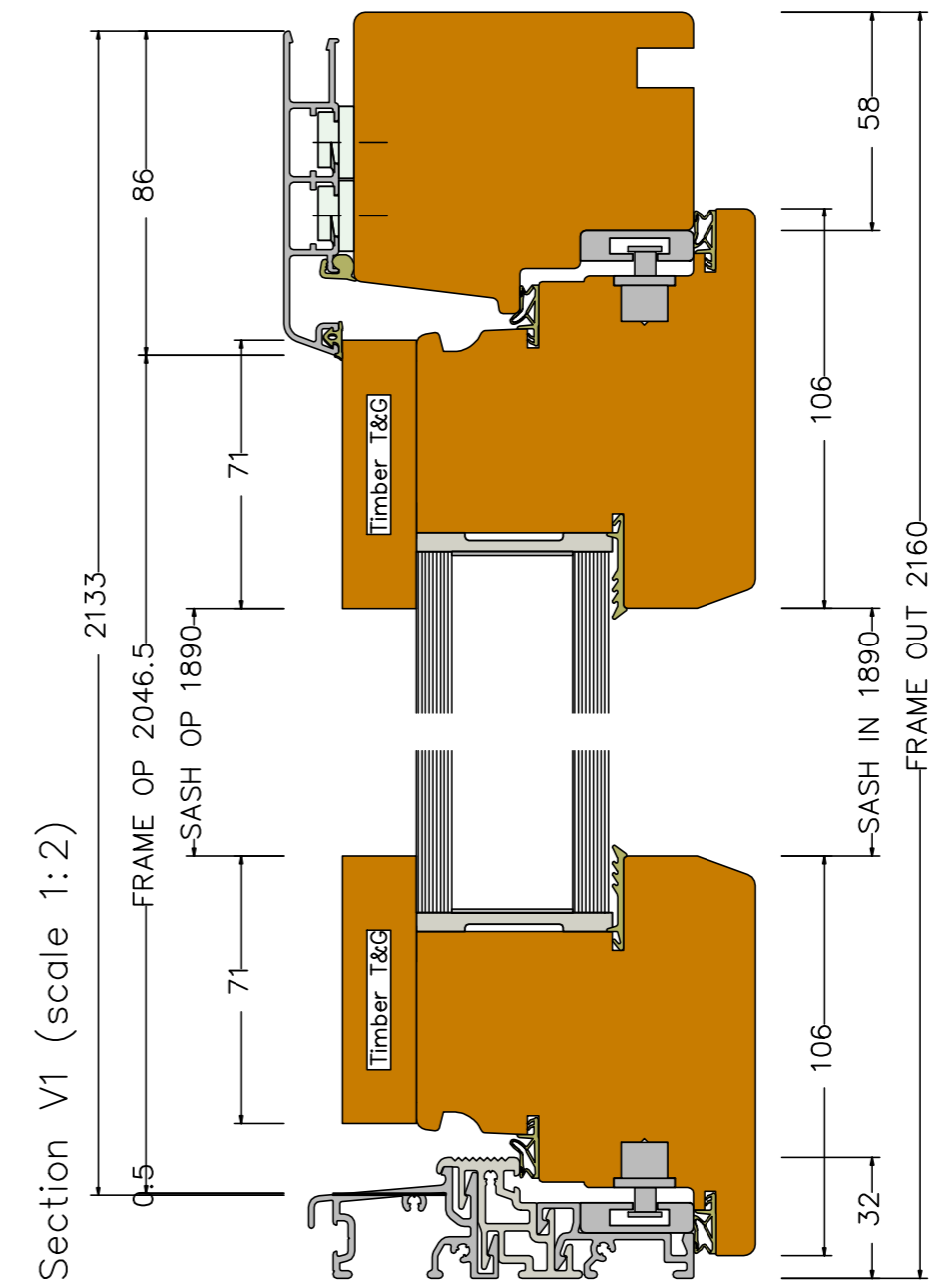
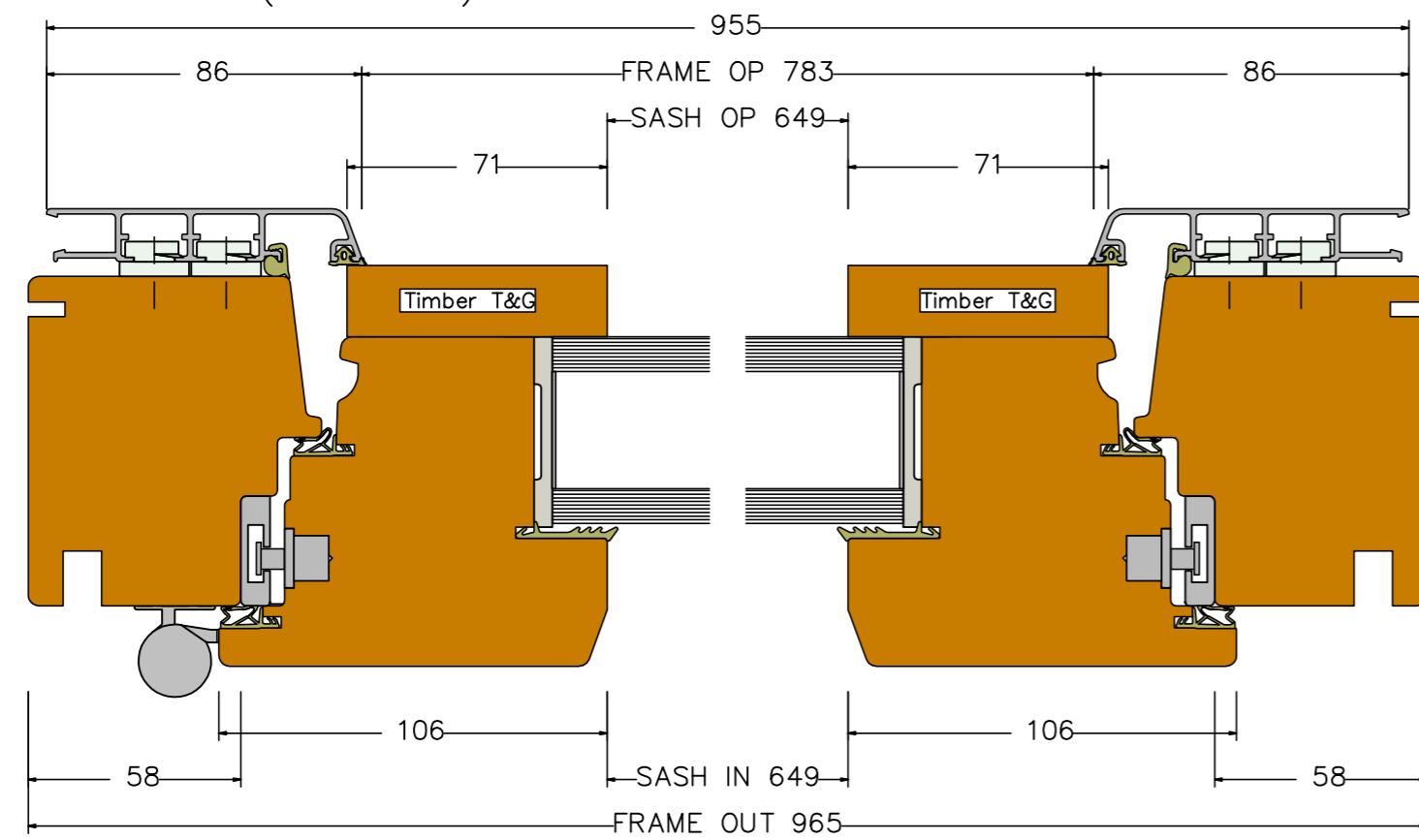


ThermaDura e-MOD Thermally Efficient Window/Door Modules	drawn	Date	Name
		31.05.2020	Rampe
Description: DesignLine e-MOD D558 TI-Aluminium Bifold door 5-5-0			
<b>ThermaDura</b>	These drawings are protected by copyright and only to be used in conjunction with the supply of Thermadura products. This drawing is an instrument of service and is provided for informational use only. © 2019 Thermadura Ltd		

View from inside (scale 1:15)

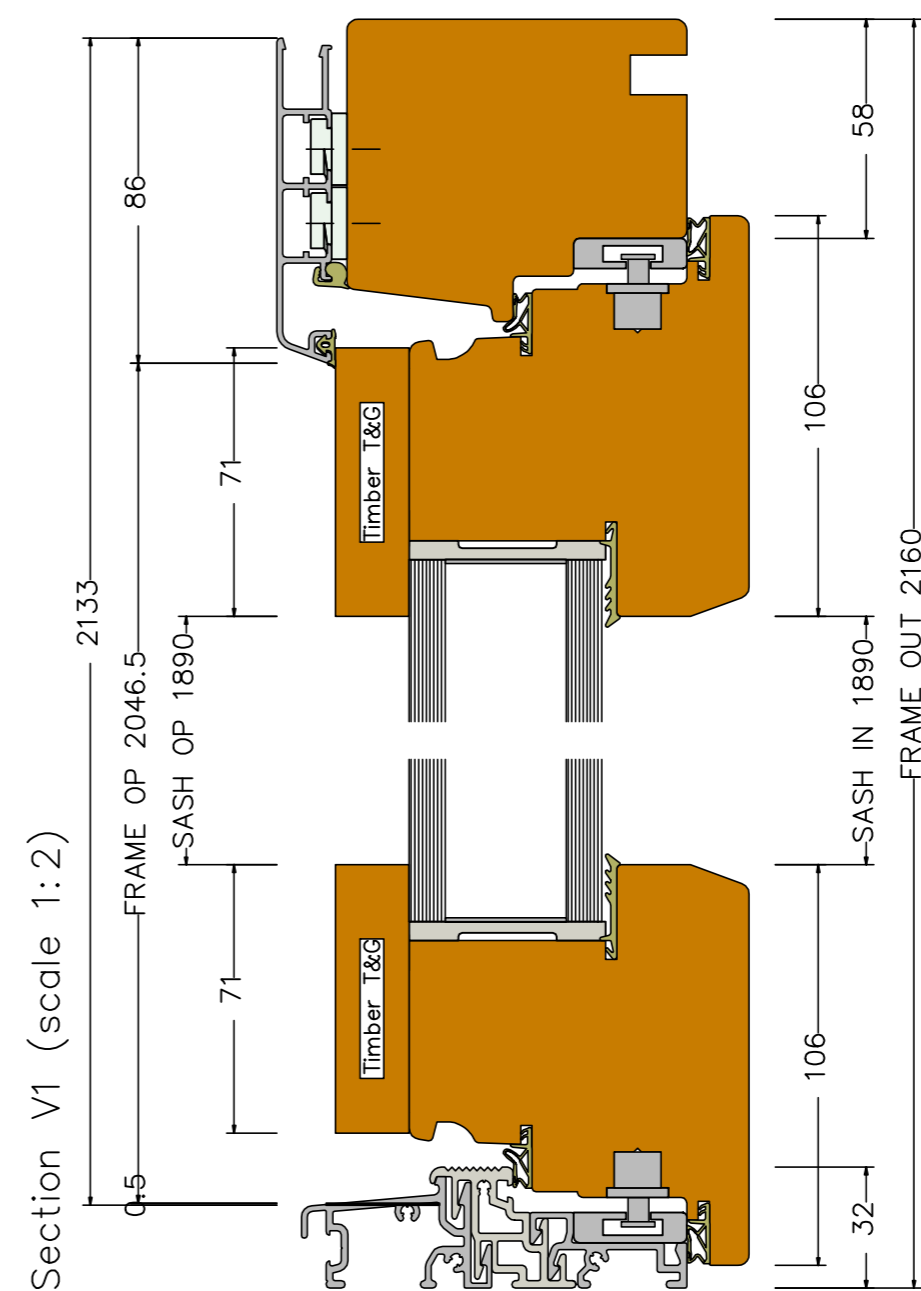
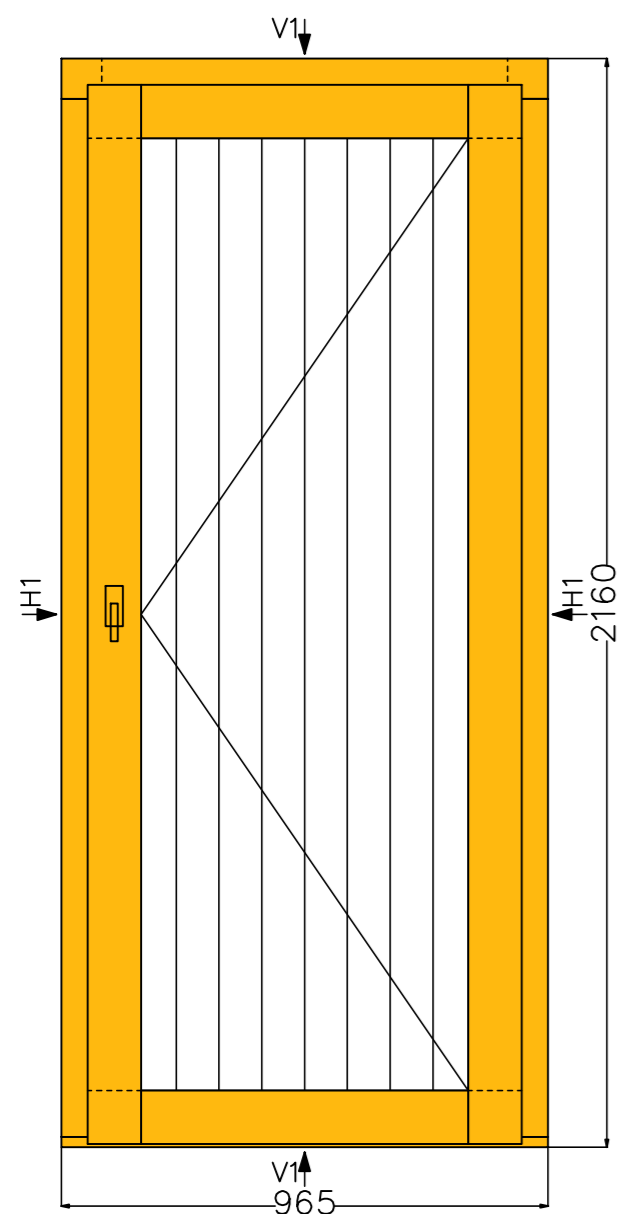


Section H1 (scale 1:2)

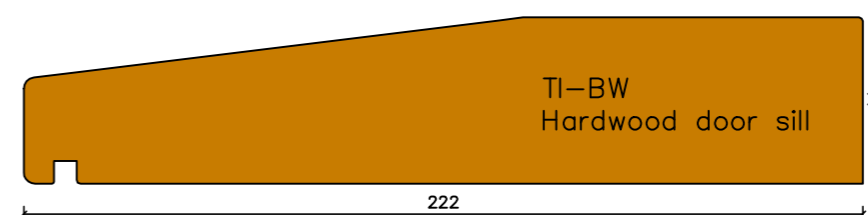
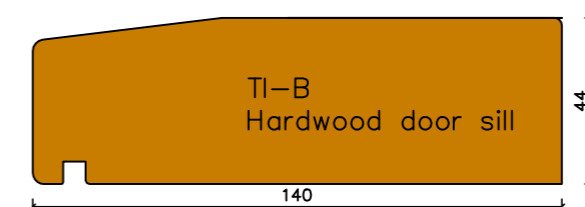
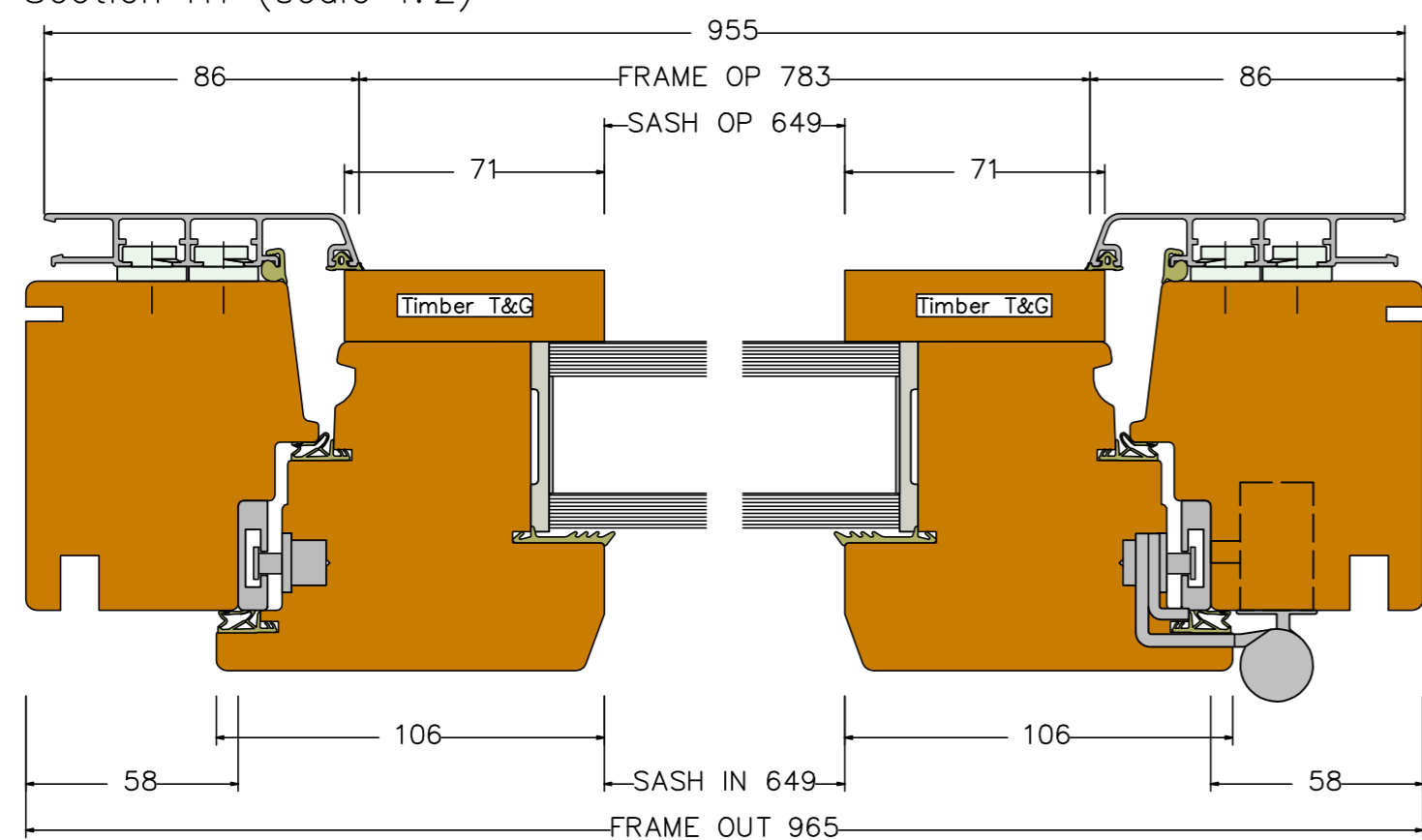


ThermaDura e-MOD Thermally Efficient Window/Door Modules	drawn	Date	Name
		31.05.2020	Rampe
Description: DesignLine e-MOD D-601 DesignLine 90 Front door LH			
<b>ThermaDura</b>	These drawings are protected by copyright and only to be used in conjunction with the supply of ThermaDura products. This drawing is an instrument of service and is provided for informational use only. © 2019 ThermaDura Ltd		

View from inside (scale 1:15)

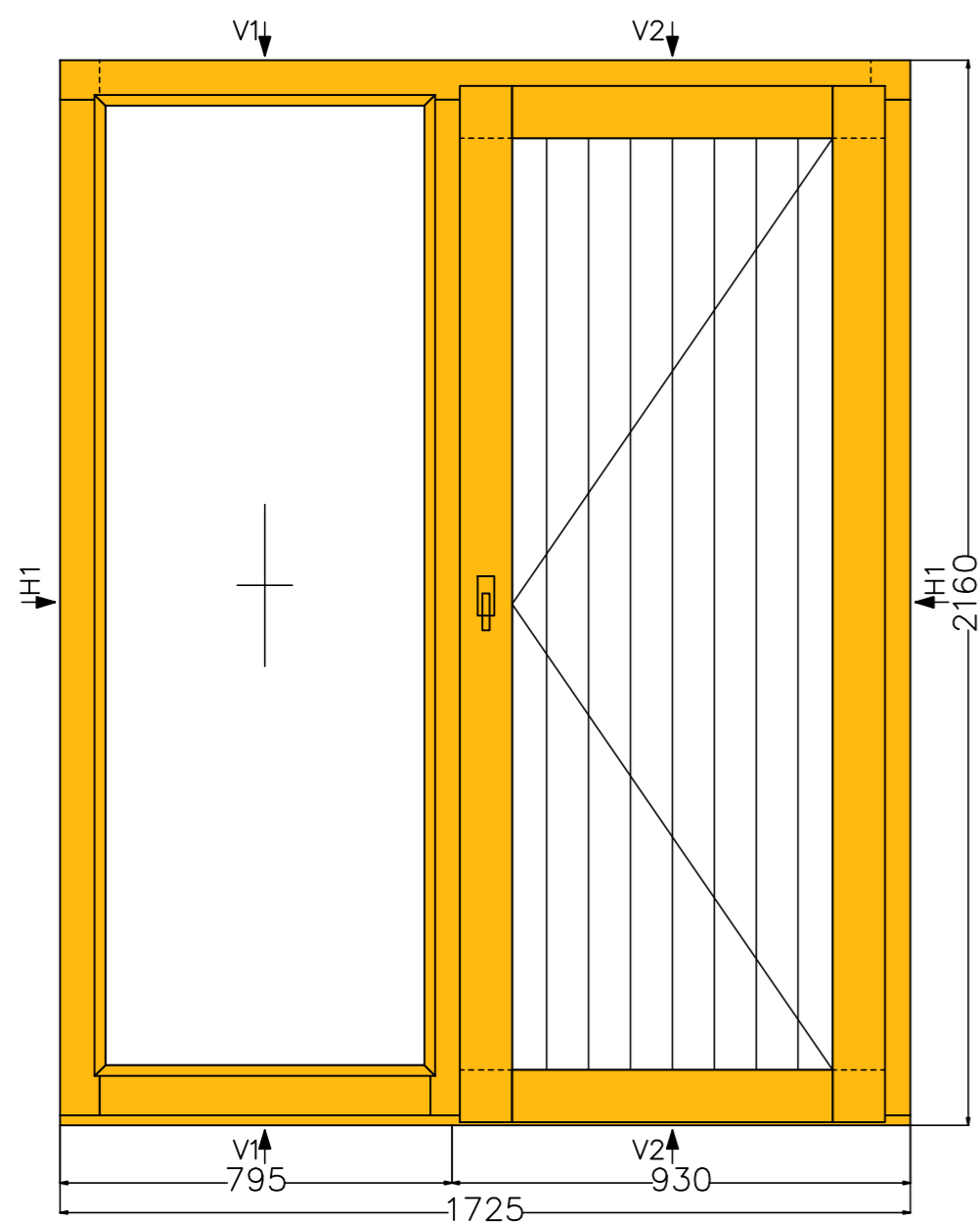


Section H1 (scale 1:2)

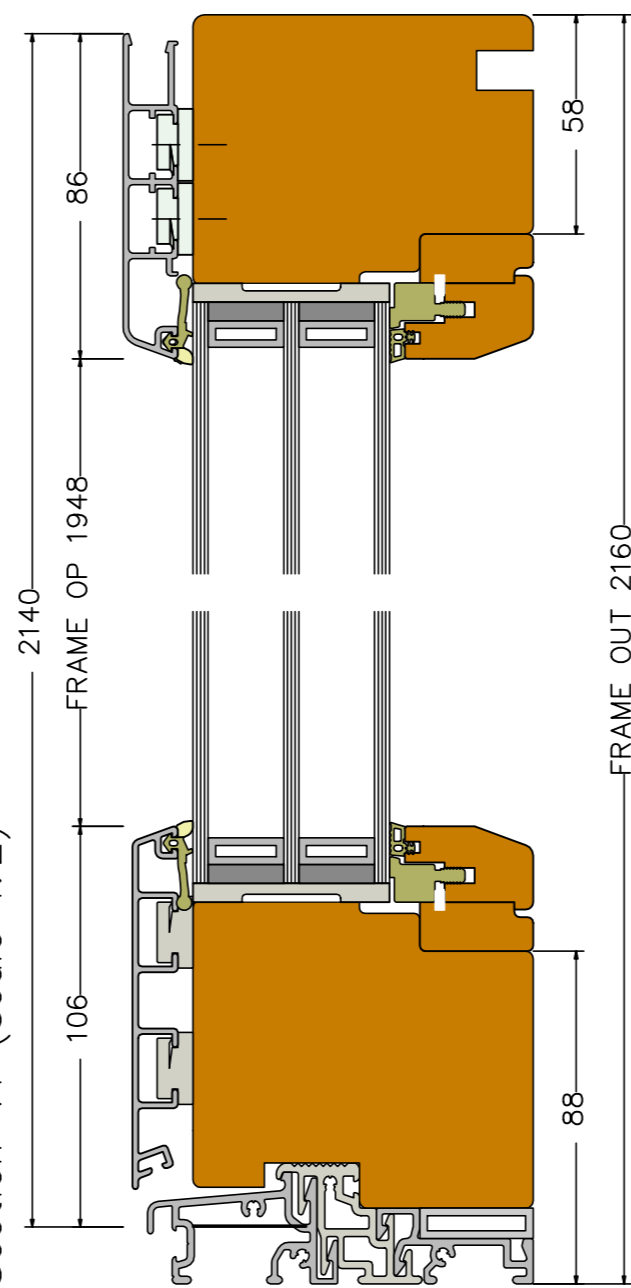


ThermaDura e-MOD Thermally Efficient Window/Door Modules	drawn	Date	Name
		31.05.2020	Rampe
Description: DesignLine e-MOD D-602 DesignLine 90 Front door RH			
<b>ThermaDura</b>	These drawings are protected by copyright and only to be used in conjunction with the supply of Thermadura products. This drawing is an instrument of service and is provided for informational use only. © 2019 ThermaDura Ltd		

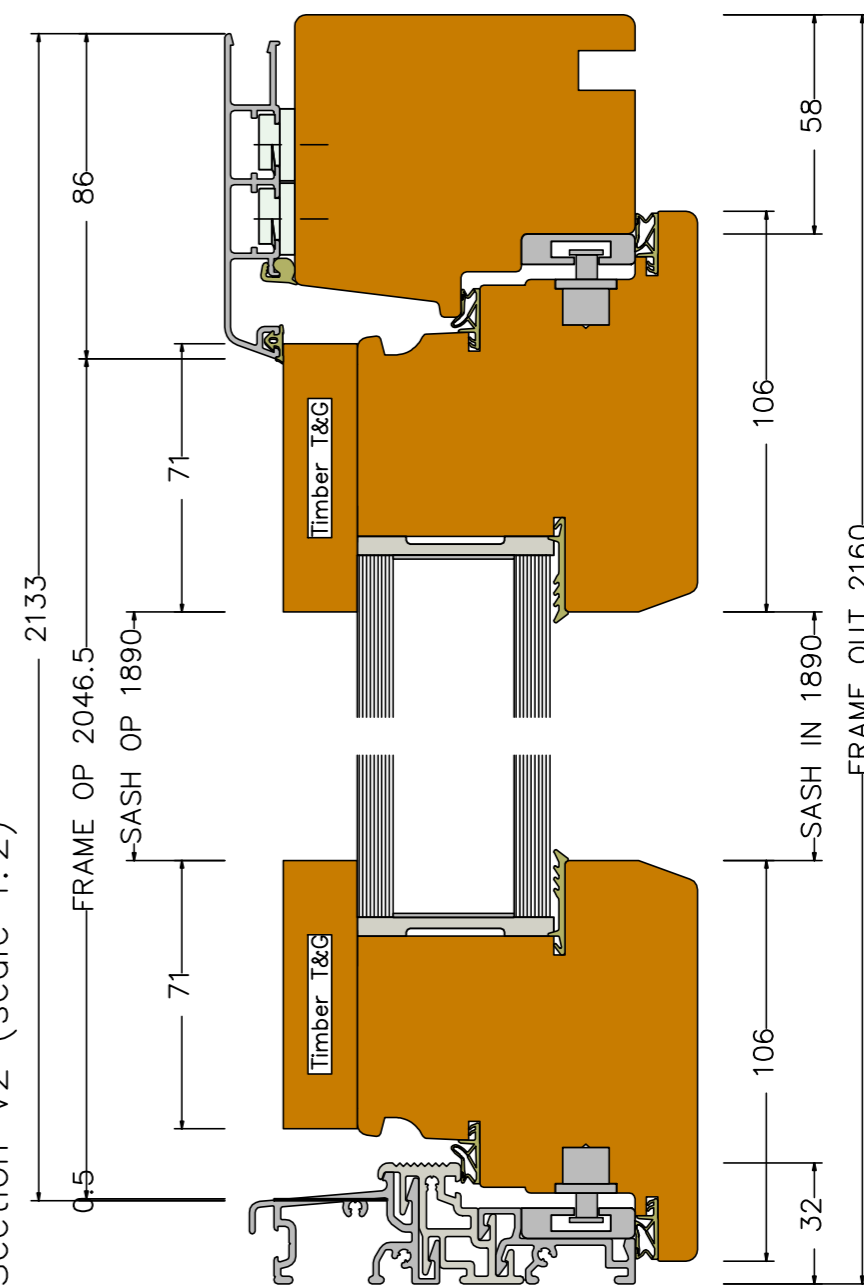
View from inside (scale 1:15)



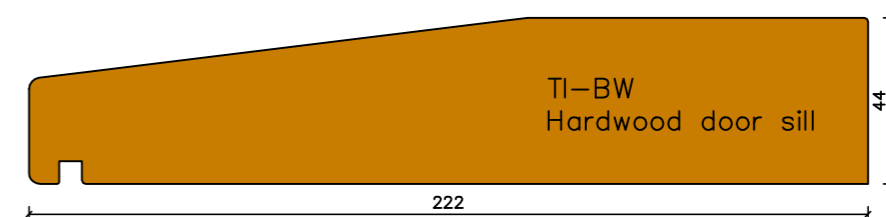
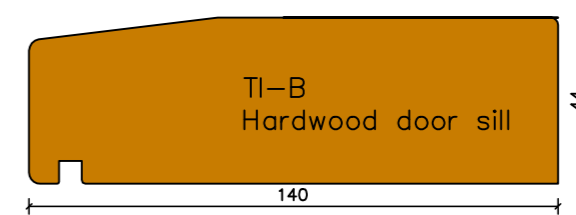
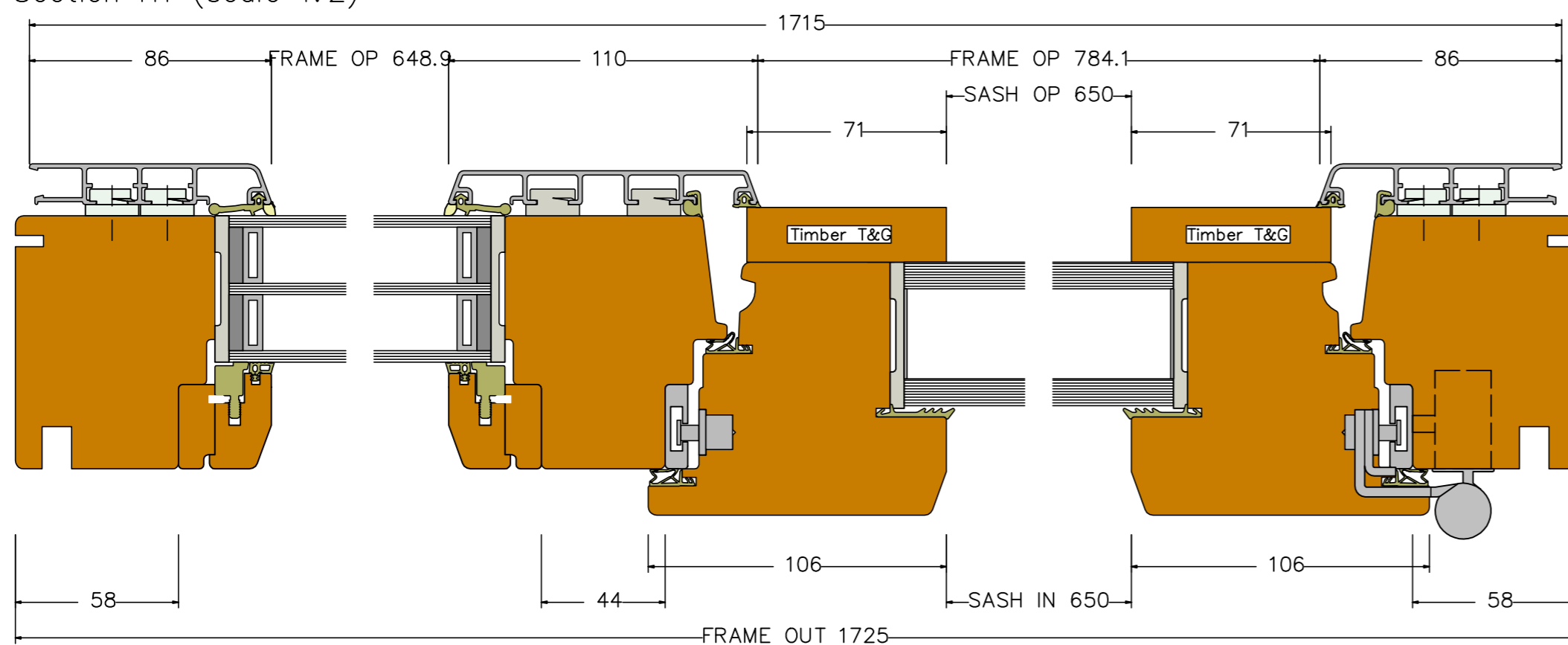
Section V1 (scale 1:2)



Section V2 (scale 1:2)

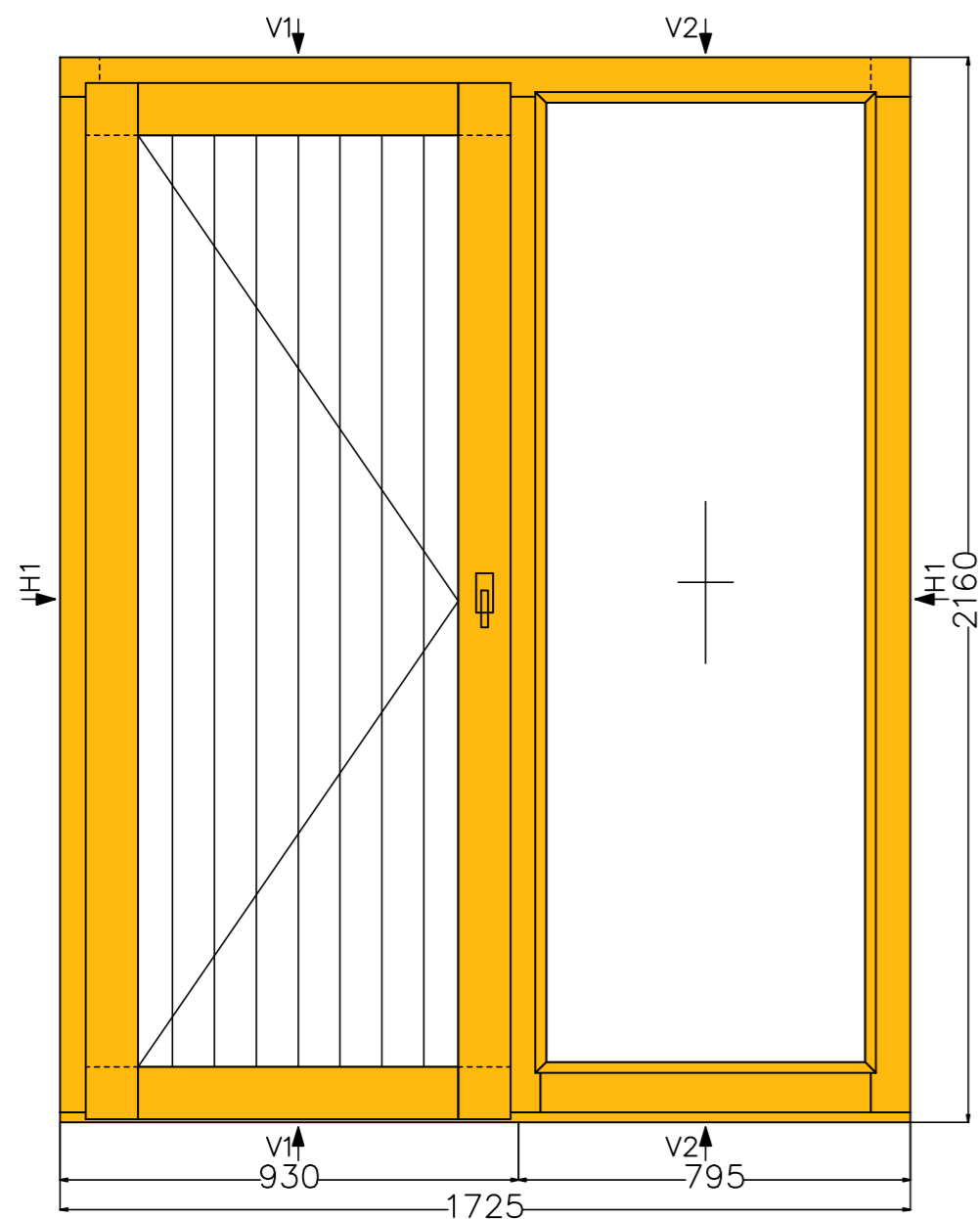


Section H1 (scale 1:2)

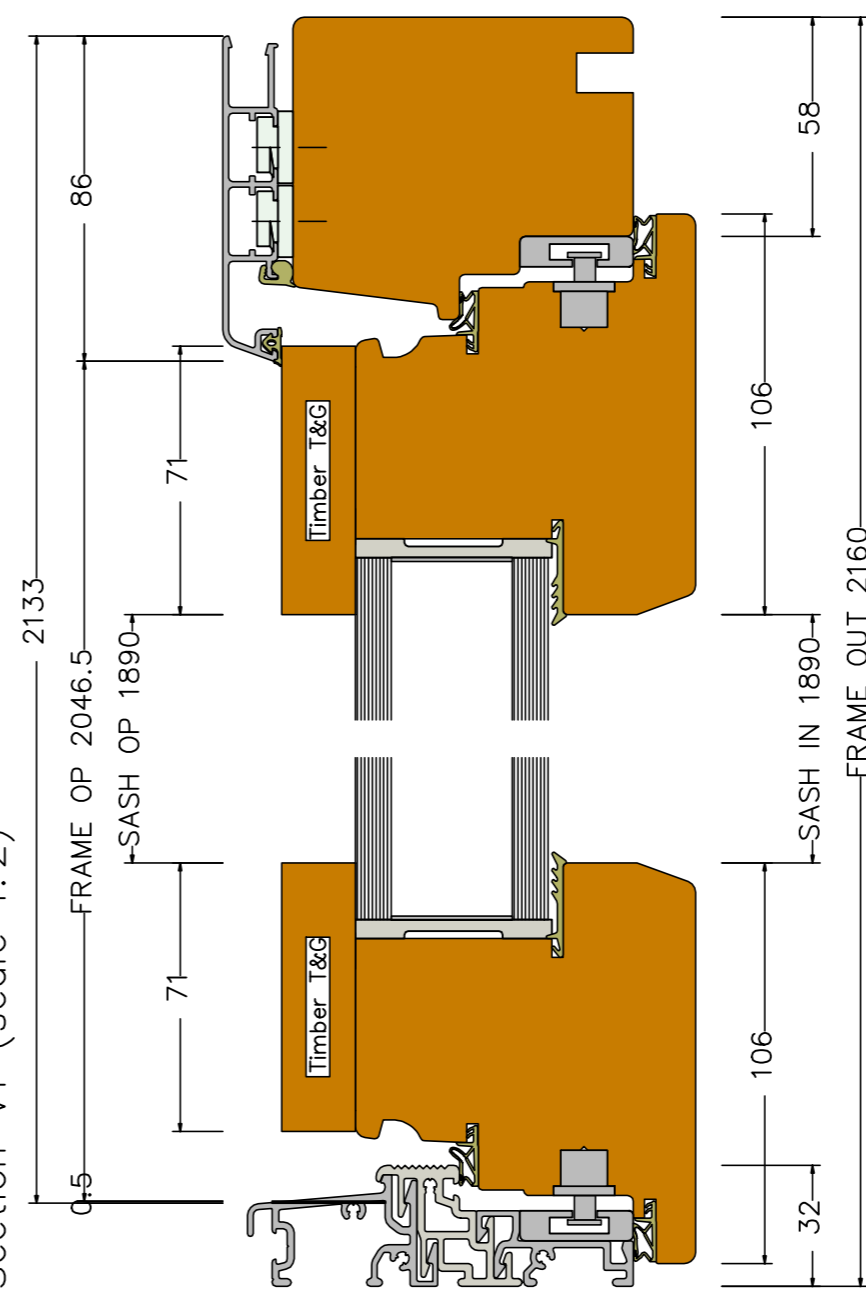


ThermaDura e-MOD Thermally Efficient Window/Door Modules	drawn	Date	Name
		31.05.2020	Rampe
Description: DesignLine e-MOD D-603 DesignLine 90 Front door RH			
<b>ThermaDura</b>	These drawings are protected by copyright and only to be used in conjunction with the supply of ThermaDura products. This drawing is an instrument of service and is provided for informational use only. © 2019 ThermaDura Ltd		

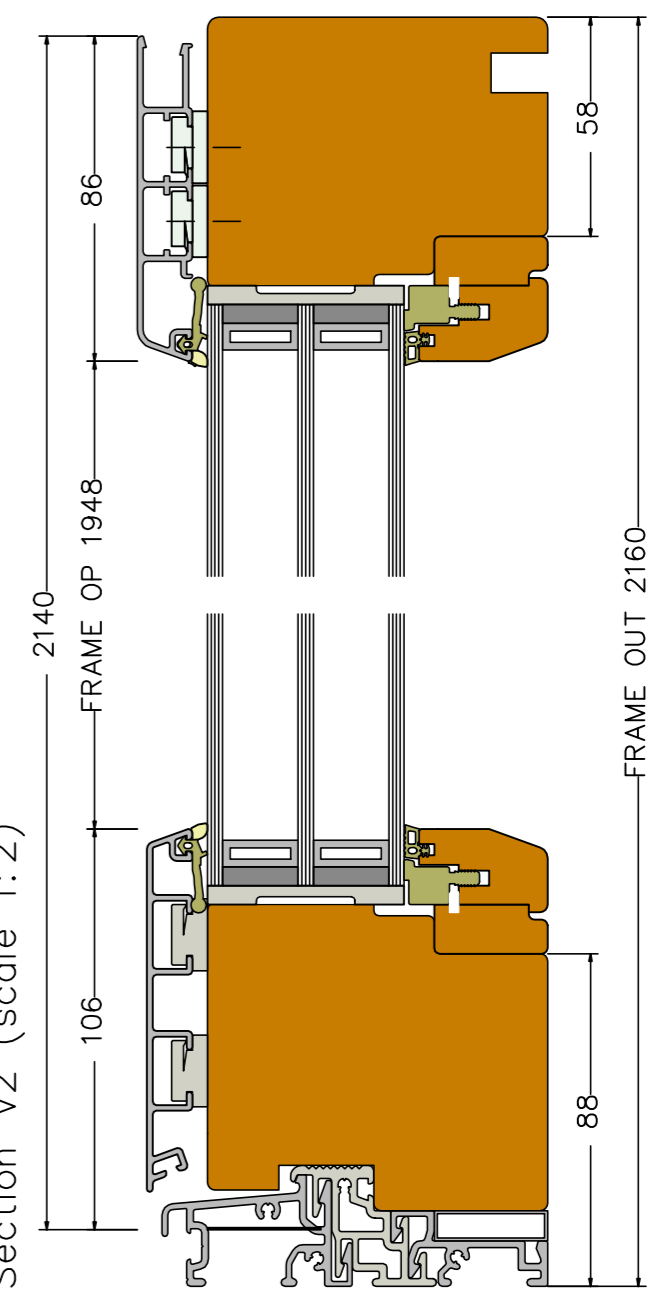
View from inside (scale 1:15)



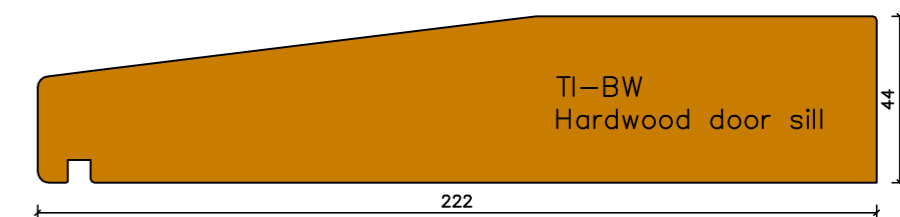
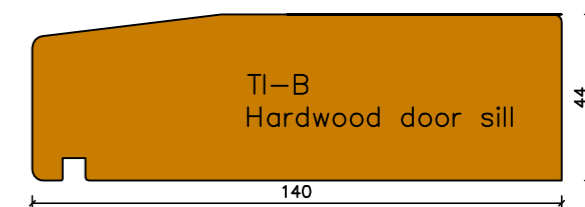
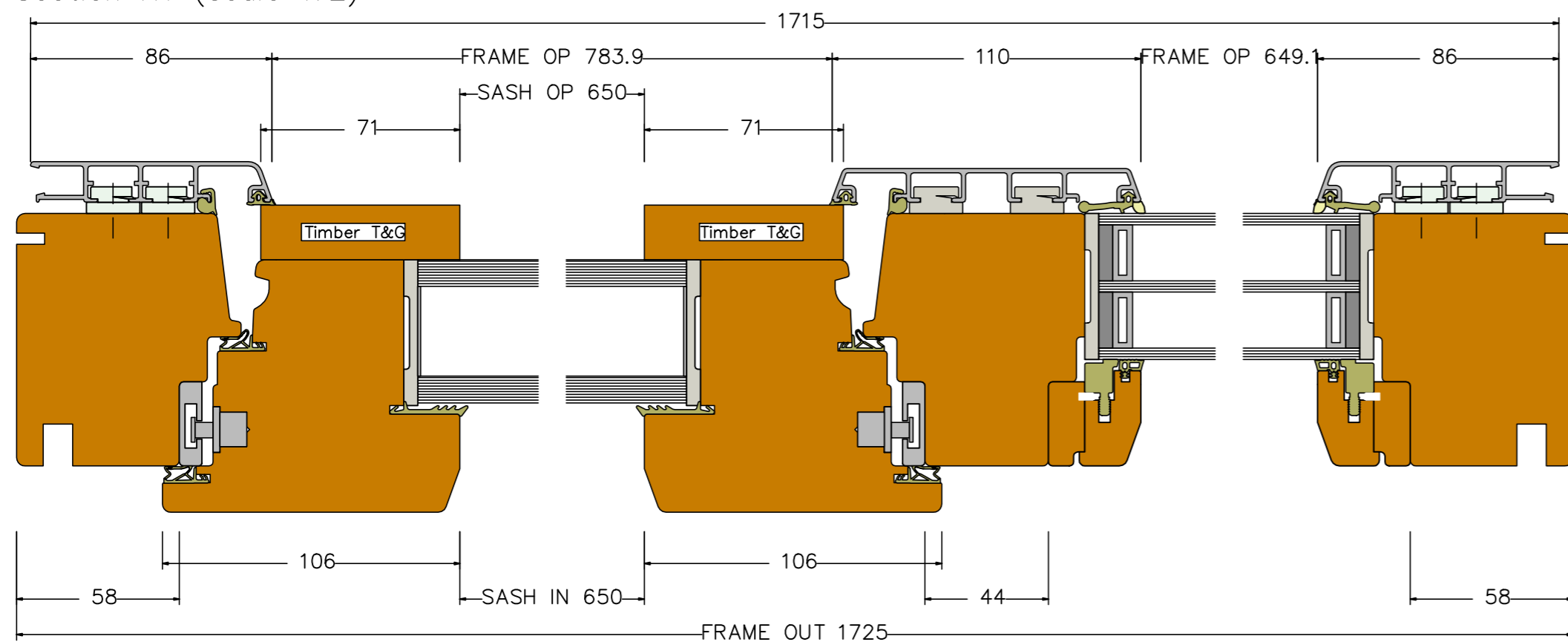
Section V1 (scale 1:2)



Section V2 (scale 1:2)

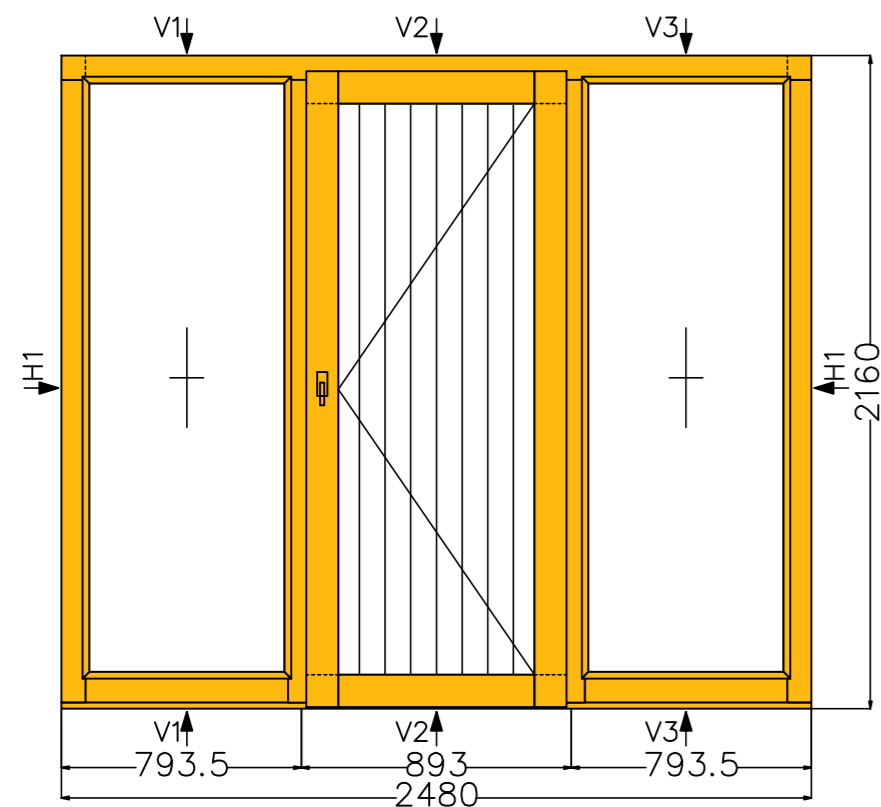


Section H1 (scale 1:2)

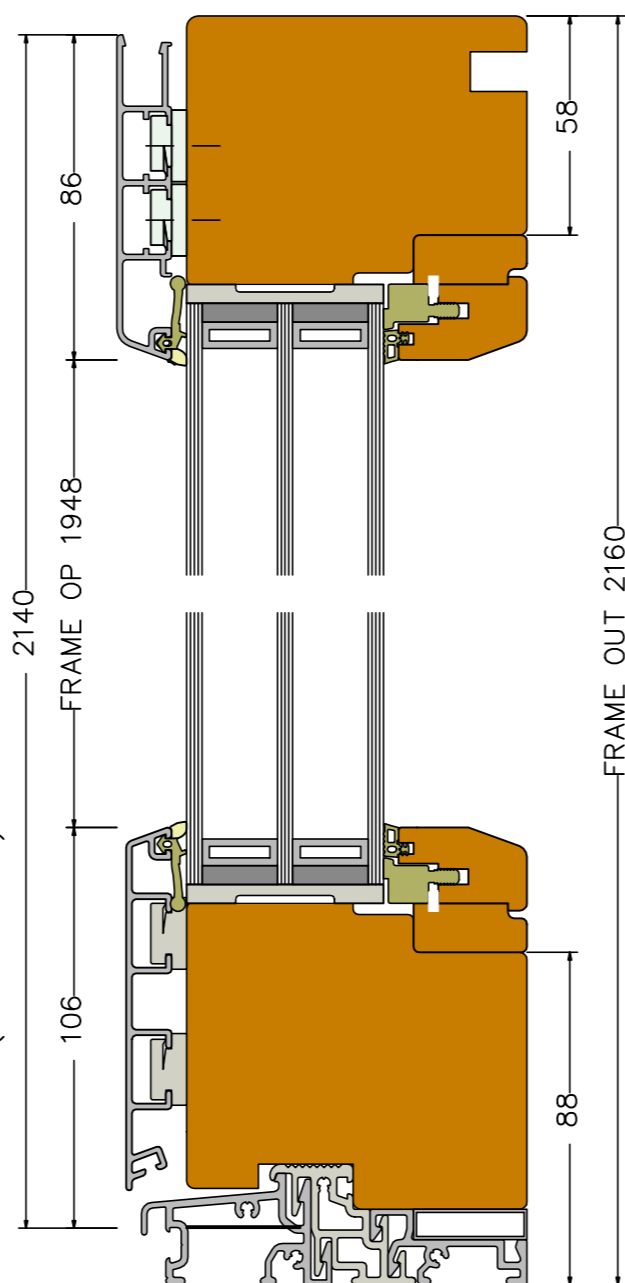


ThermaDura e-MOD Thermally Efficient Window/Door Modules	drawn	Date	Name
		31.05.2020	Rampe
Description: DesignLine e-MOD D-604 DesignLine 90 Front door LH			
<b>ThermaDura</b>	These drawings are protected by copyright and only to be used in conjunction with the supply of ThermaDura products. This drawing is an instrument of service and is provided for informational use only. © 2019 ThermaDura Ltd		

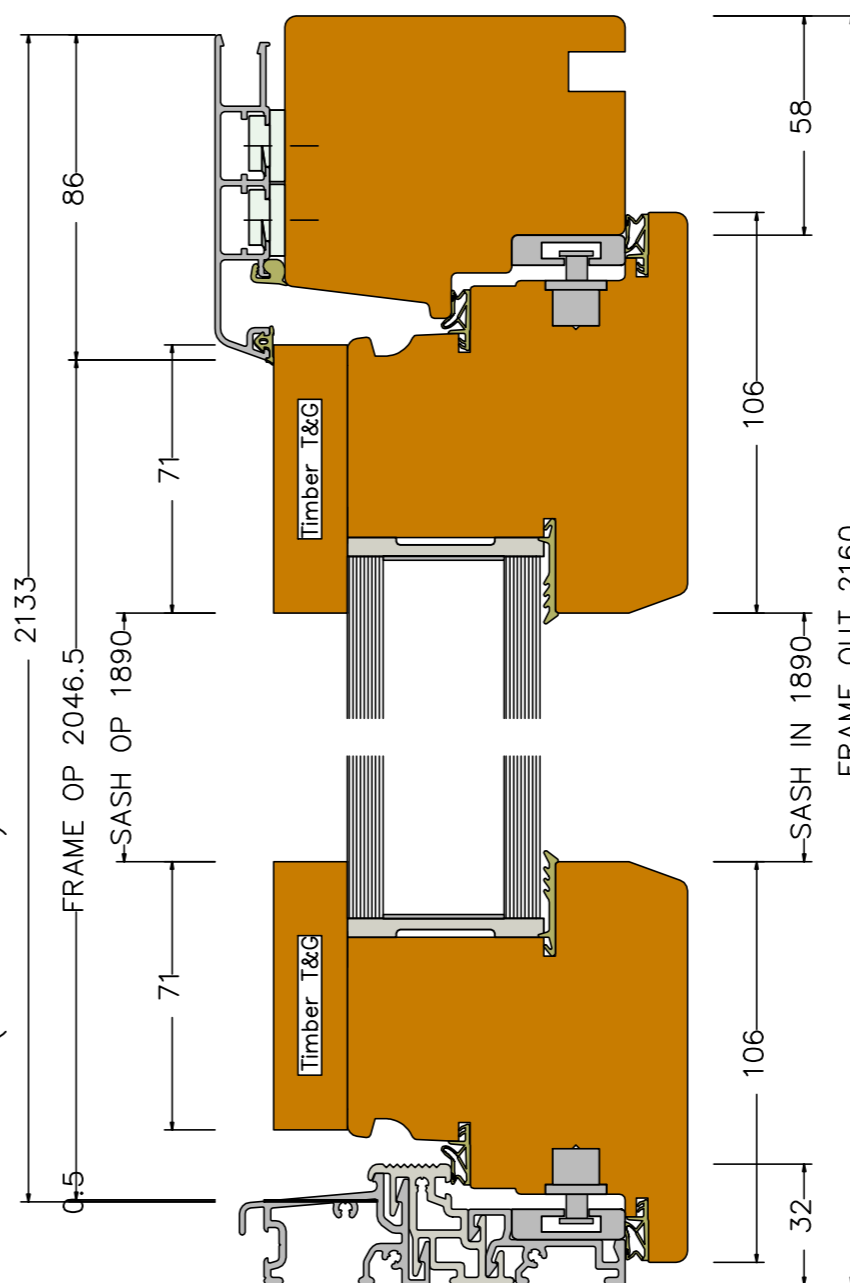
View from inside (scale 1:25)



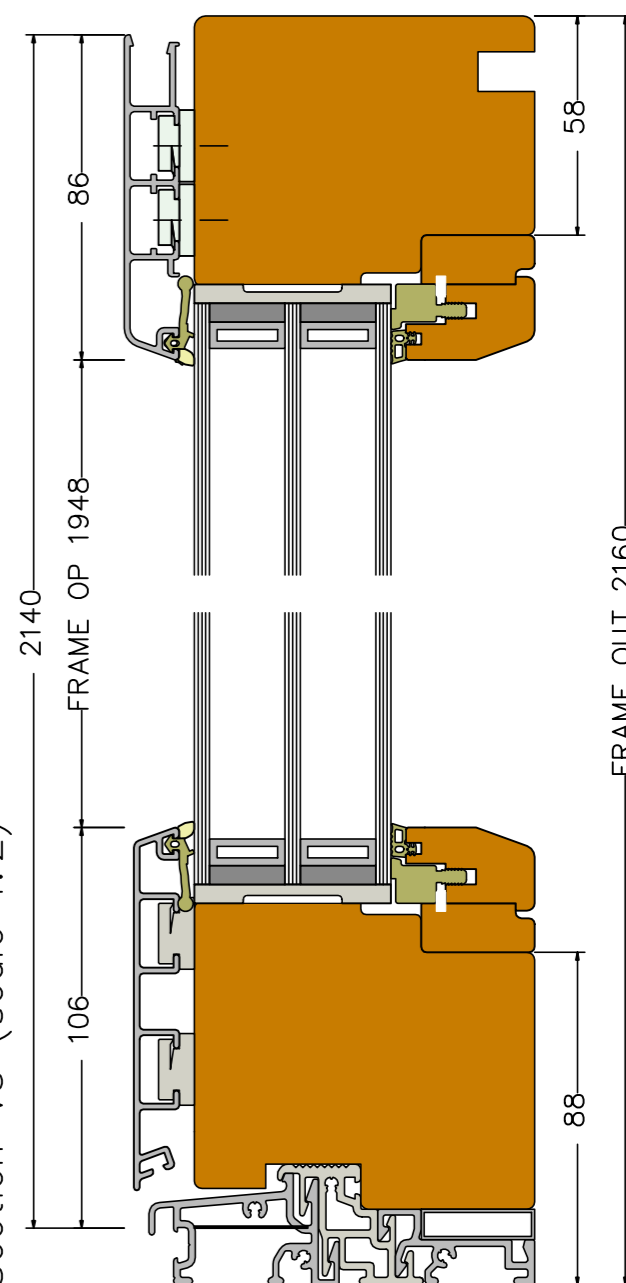
Section V1 (scale 1:2)



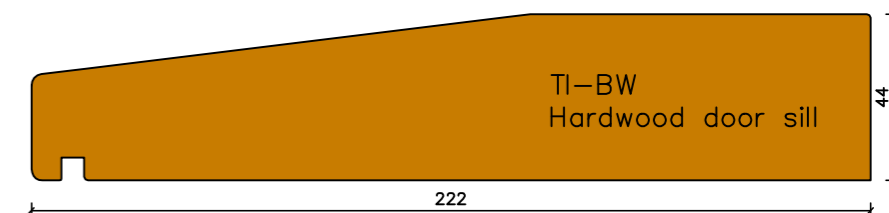
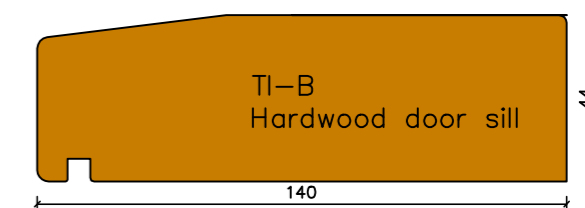
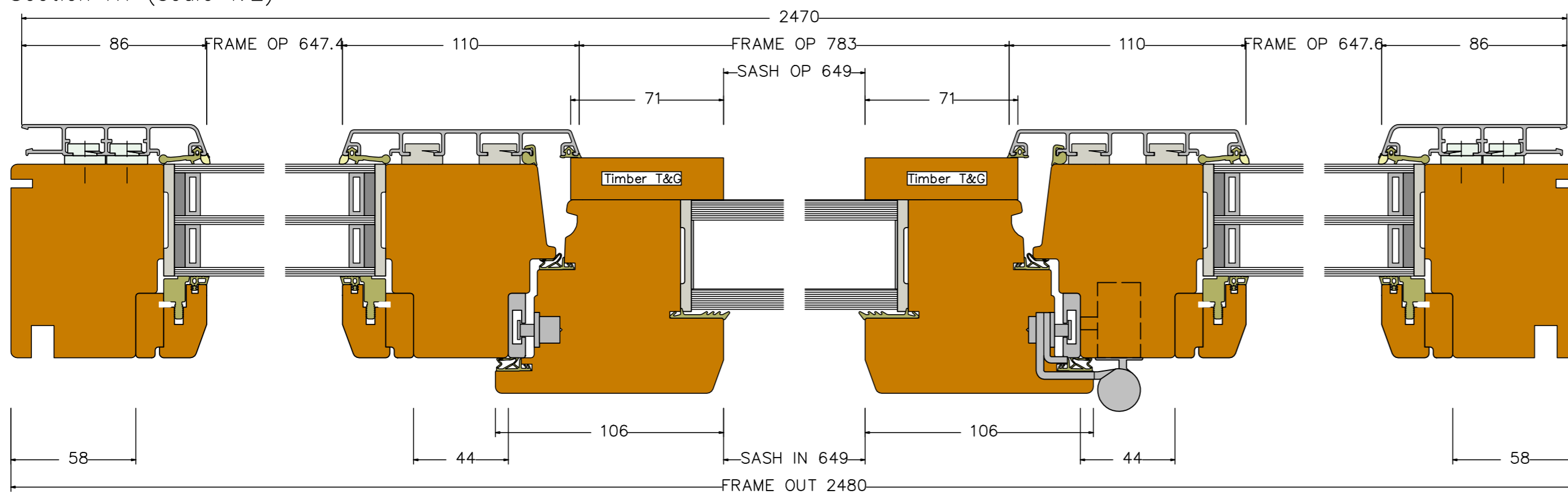
Section V2 (scale 1:2)



Section V3 (scale 1:2)

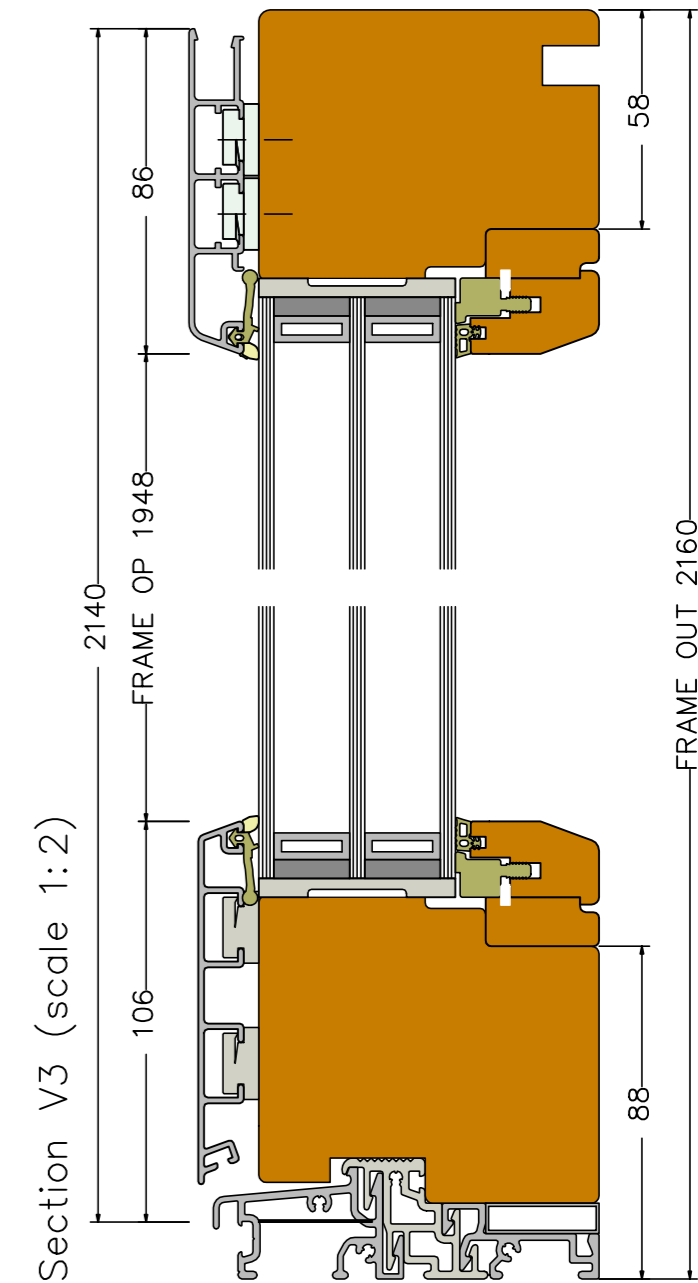
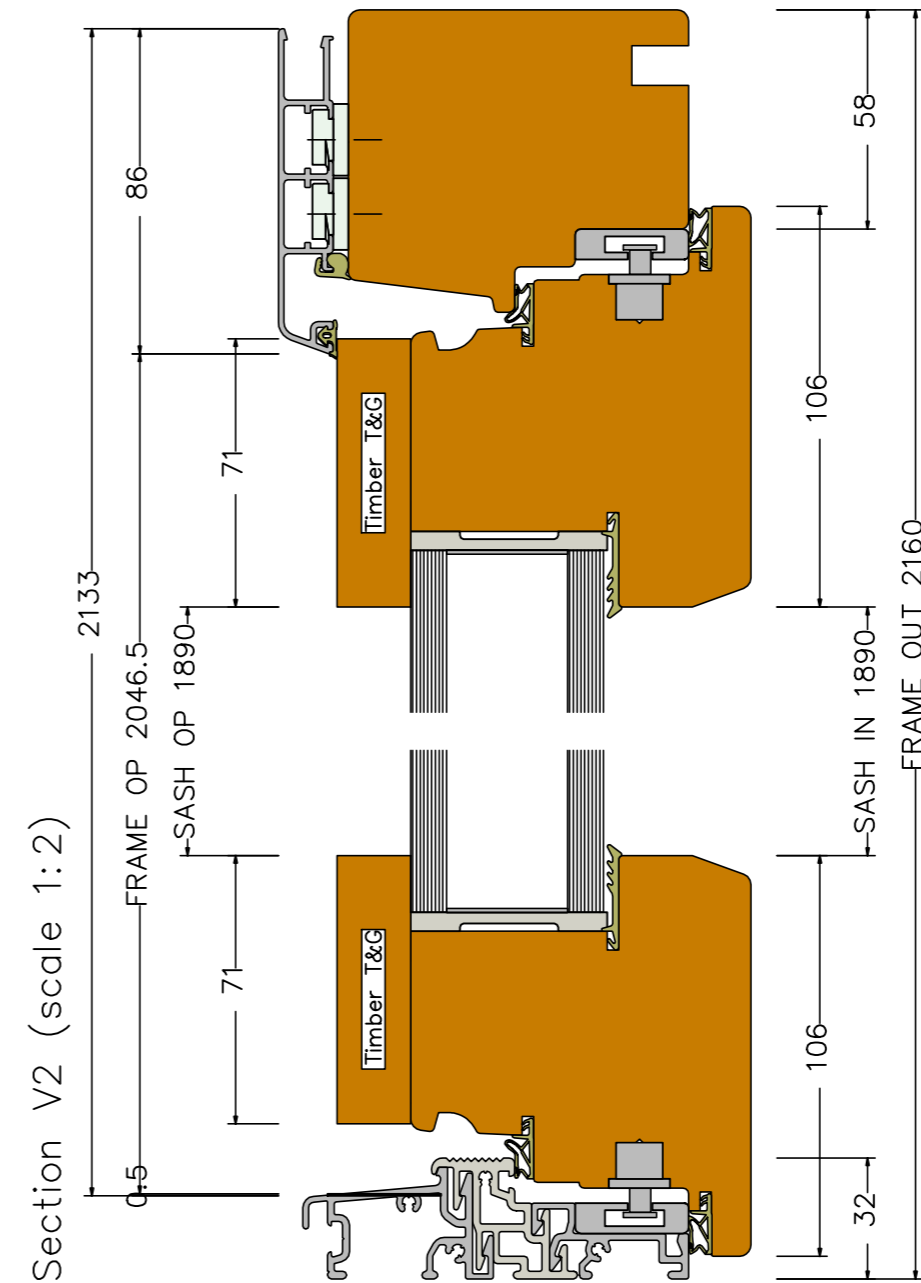
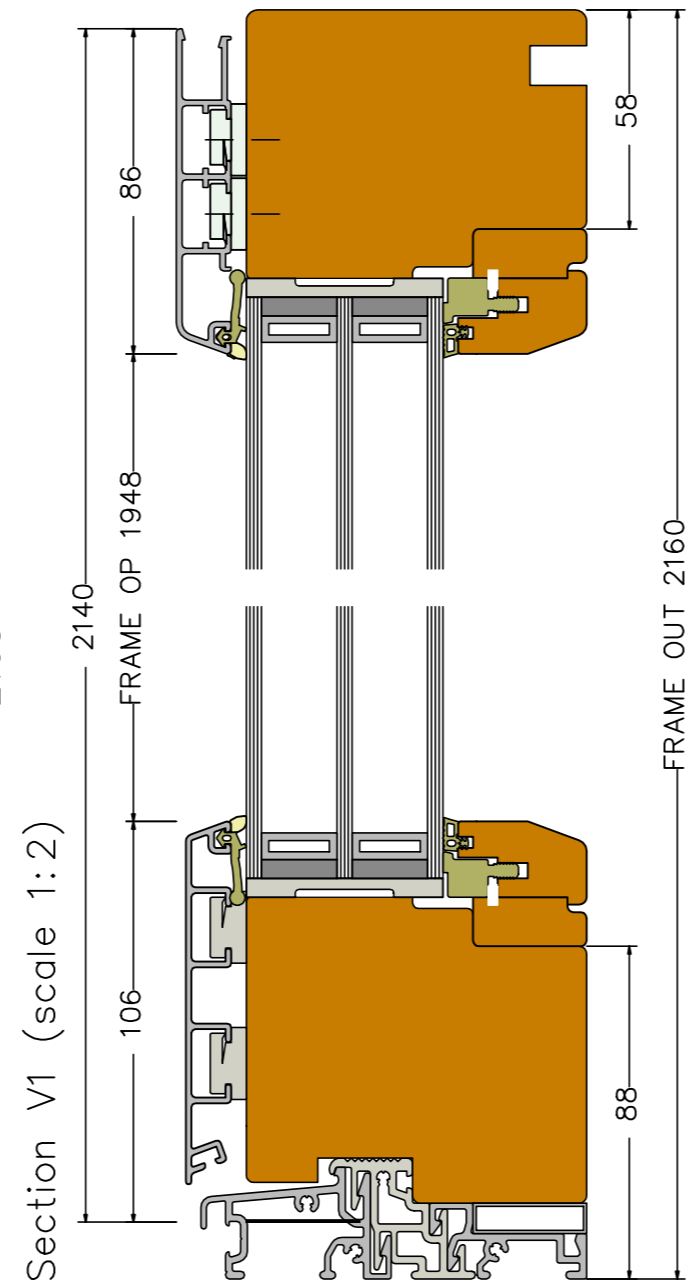
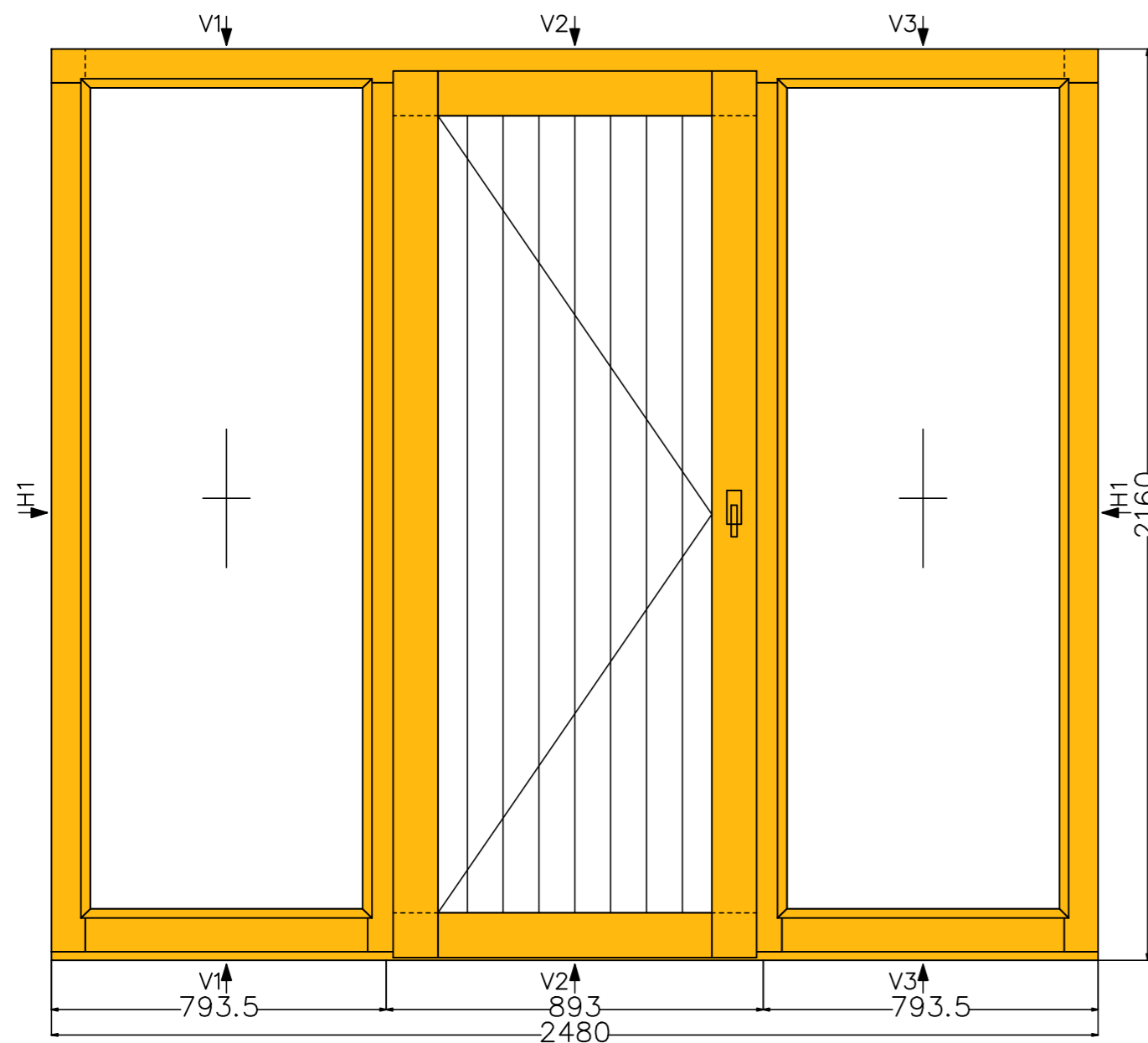


Section H1 (scale 1:2)

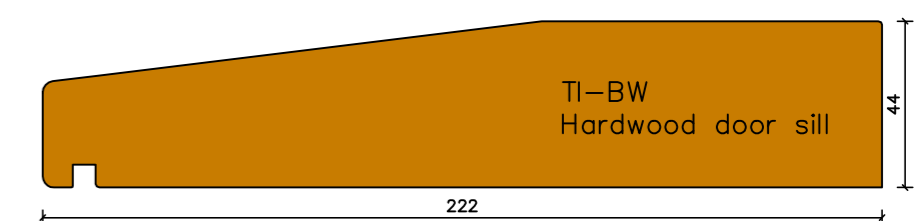
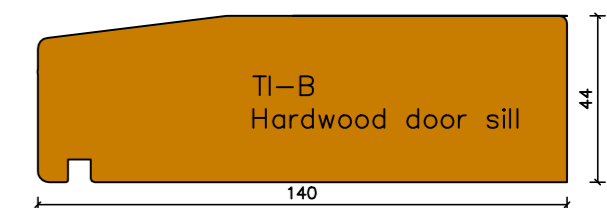
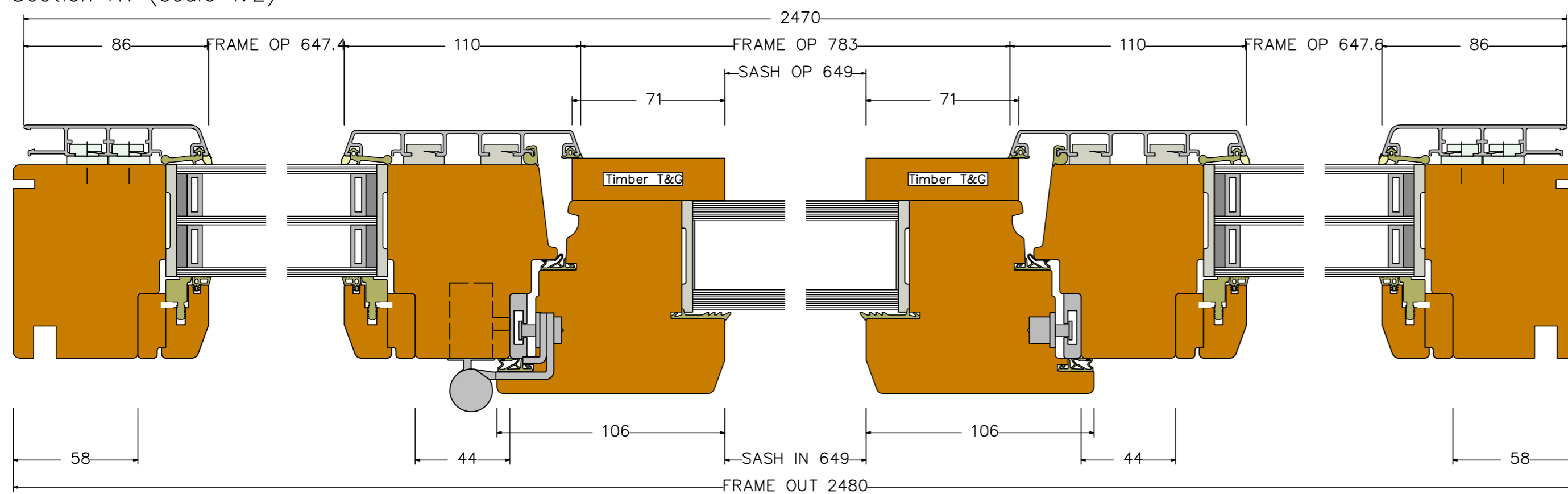


ThermaDura e-MOD Thermally Efficient Window/Door Modules	drawn	Date	Name
		31.05.2020	Rampe
Description: DesignLine e-MOD D-605 DesignLine 90 Front door RH			
<b>ThermaDura</b>	These drawings are protected by copyright and only to be used in conjunction with the supply of ThermaDura products. This drawing is an instrument of service and is provided for informational use only. © 2019 ThermaDura Ltd		

View from inside (scale 1:15)



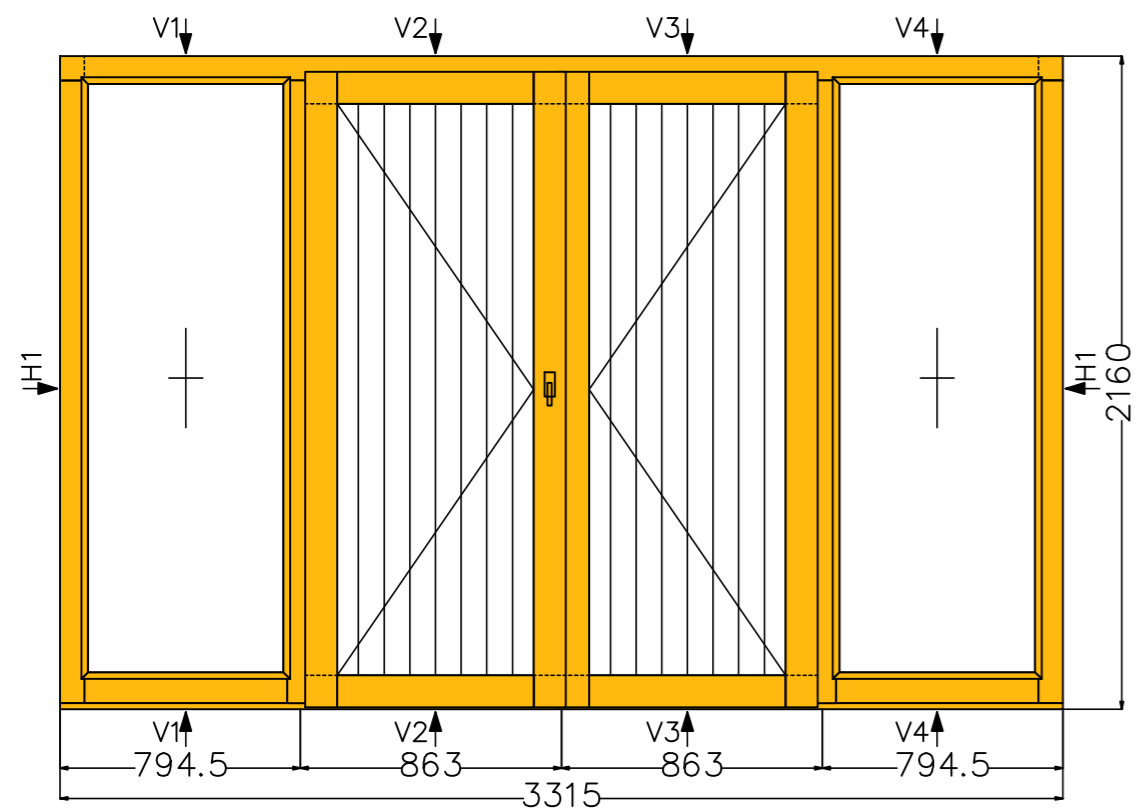
Section H1 (scale 1:2)



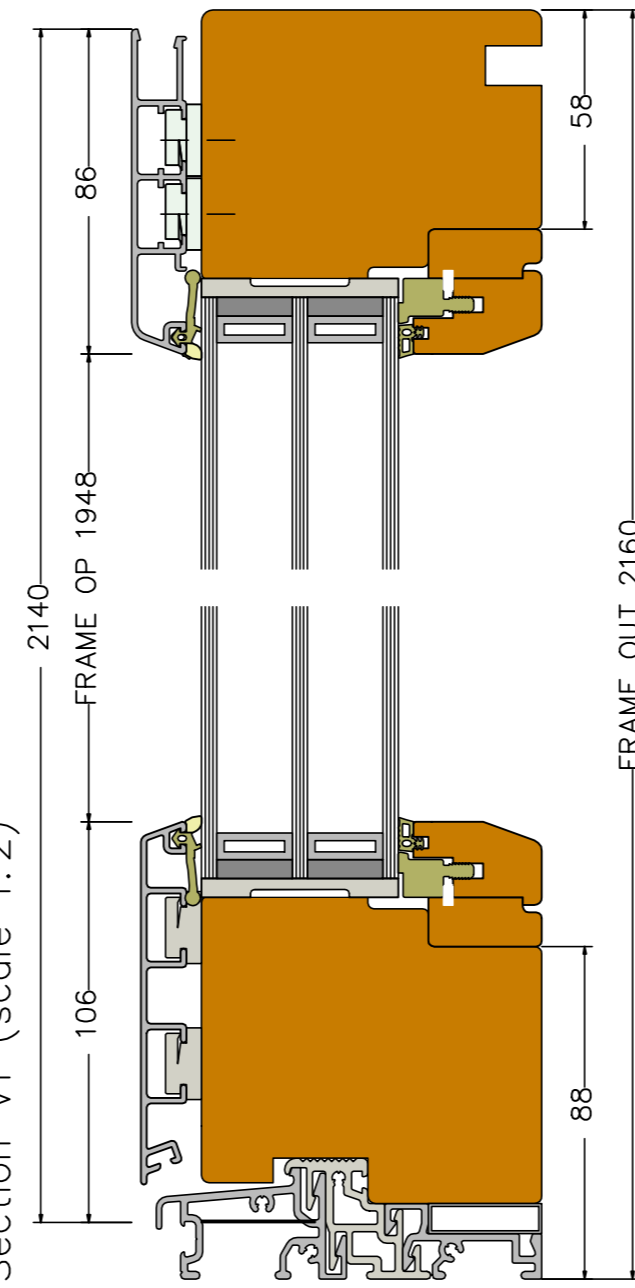
ThermaDura e-MOD Thermally Efficient Window/Door Modules	drawn	Date	Name
		31.05.2020	Rampe
Description: DesignLine e-MOD D-606 DesignLine 90 Front door LH			
		These drawings are protected by copyright and only to be used in conjunction with the supply of ThermaDura products. This drawing is an instrument of service and is provided for informational use only. © 2019 ThermaDura Ltd	



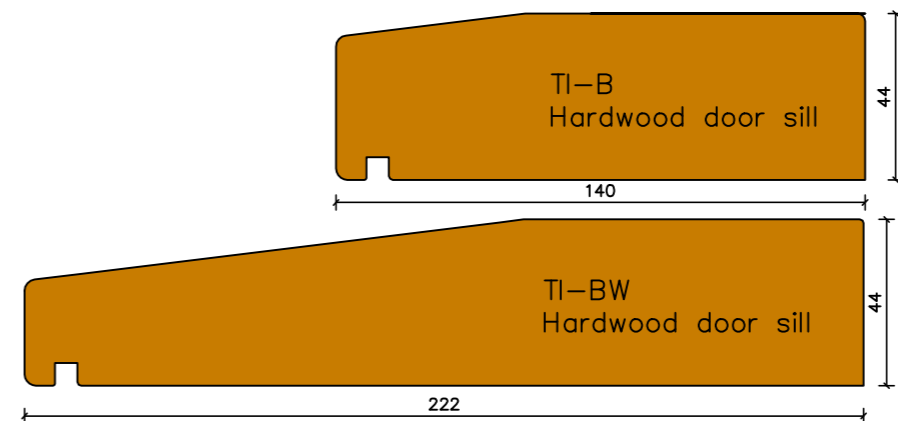
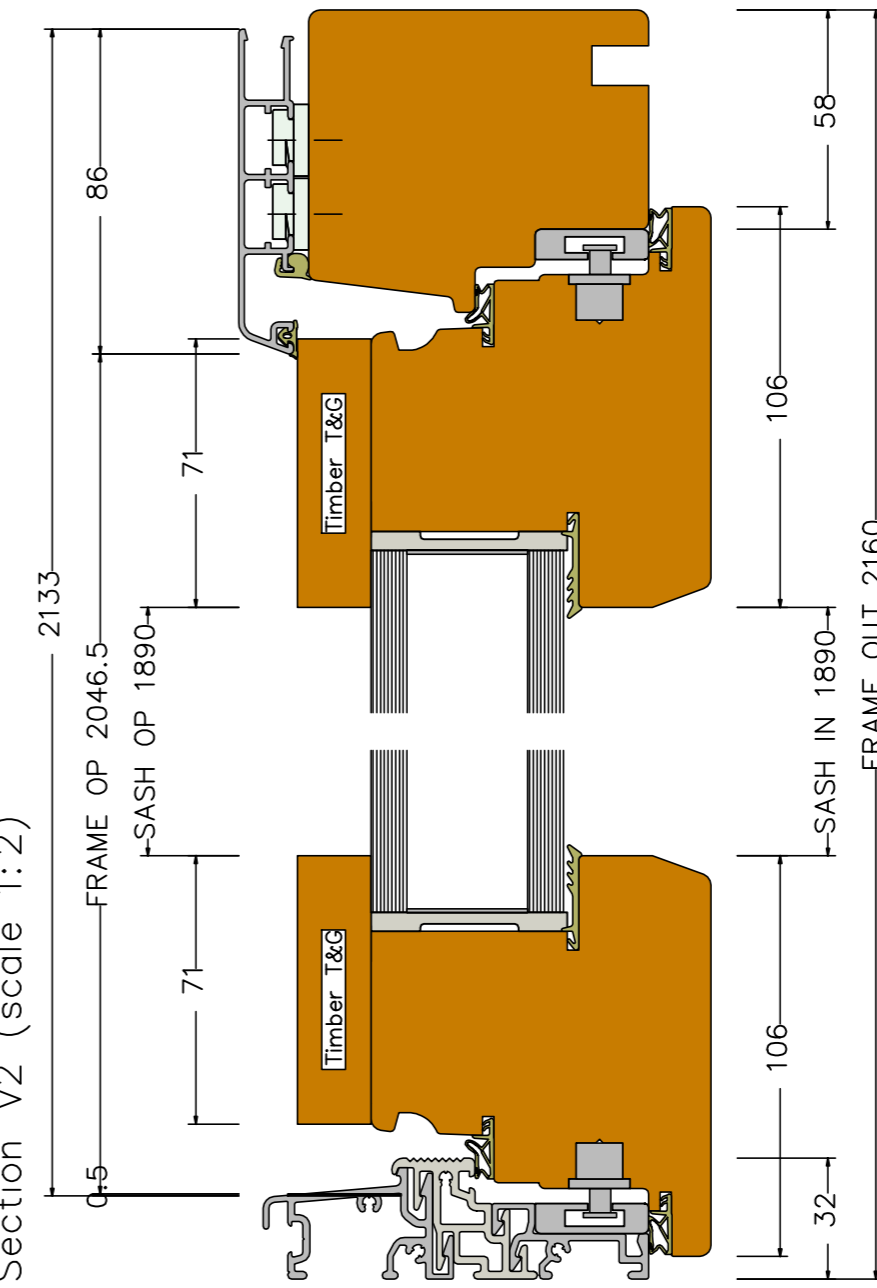
View from inside (scale 1:25)



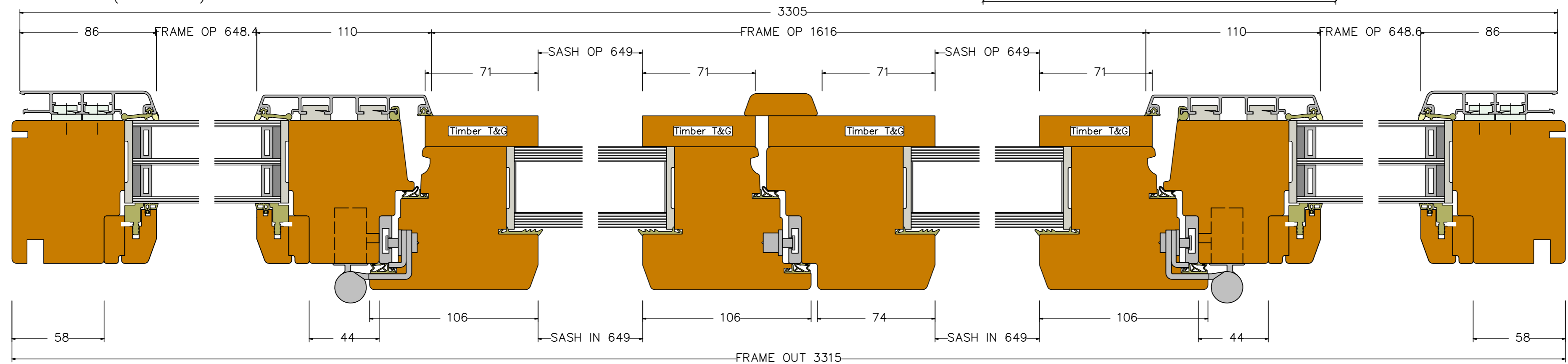
Section V1 (scale 1:2)



Section V2 (scale 1:2)



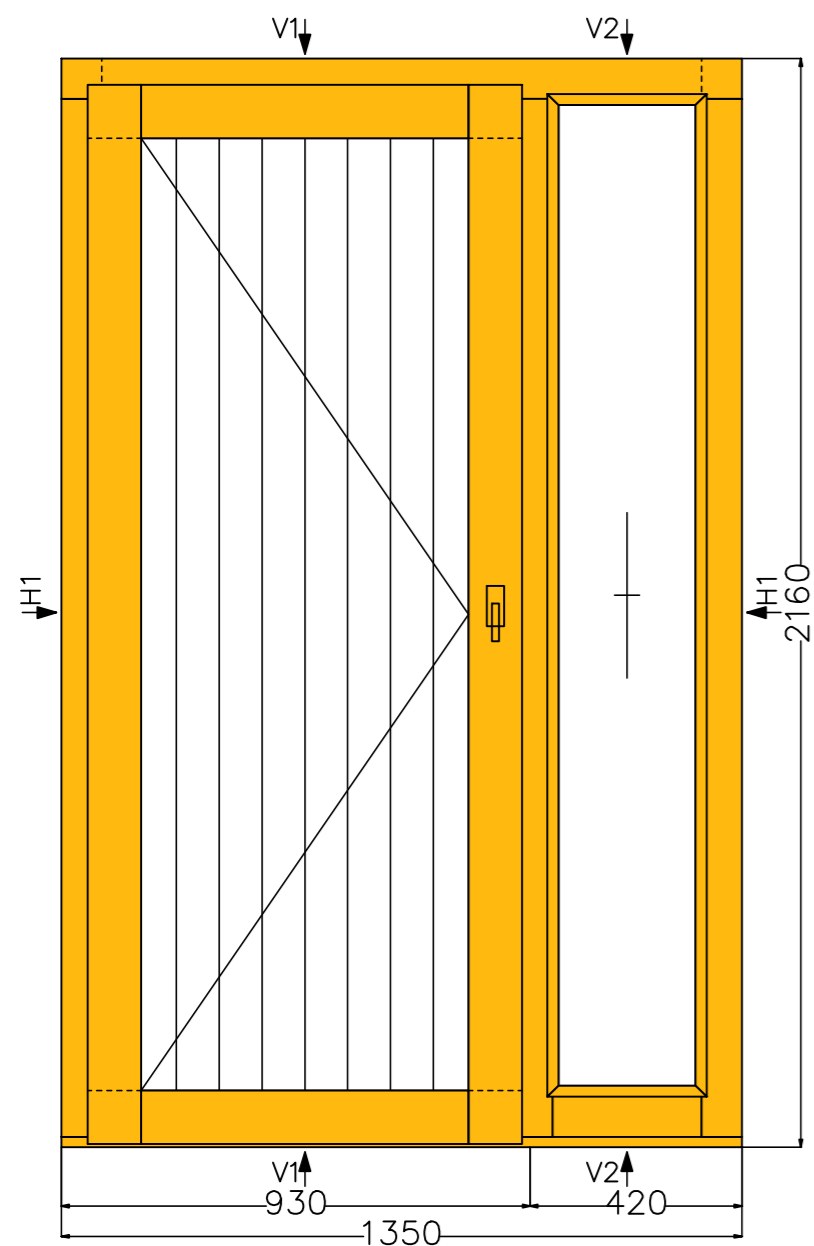
Section H1 (scale 1:2)



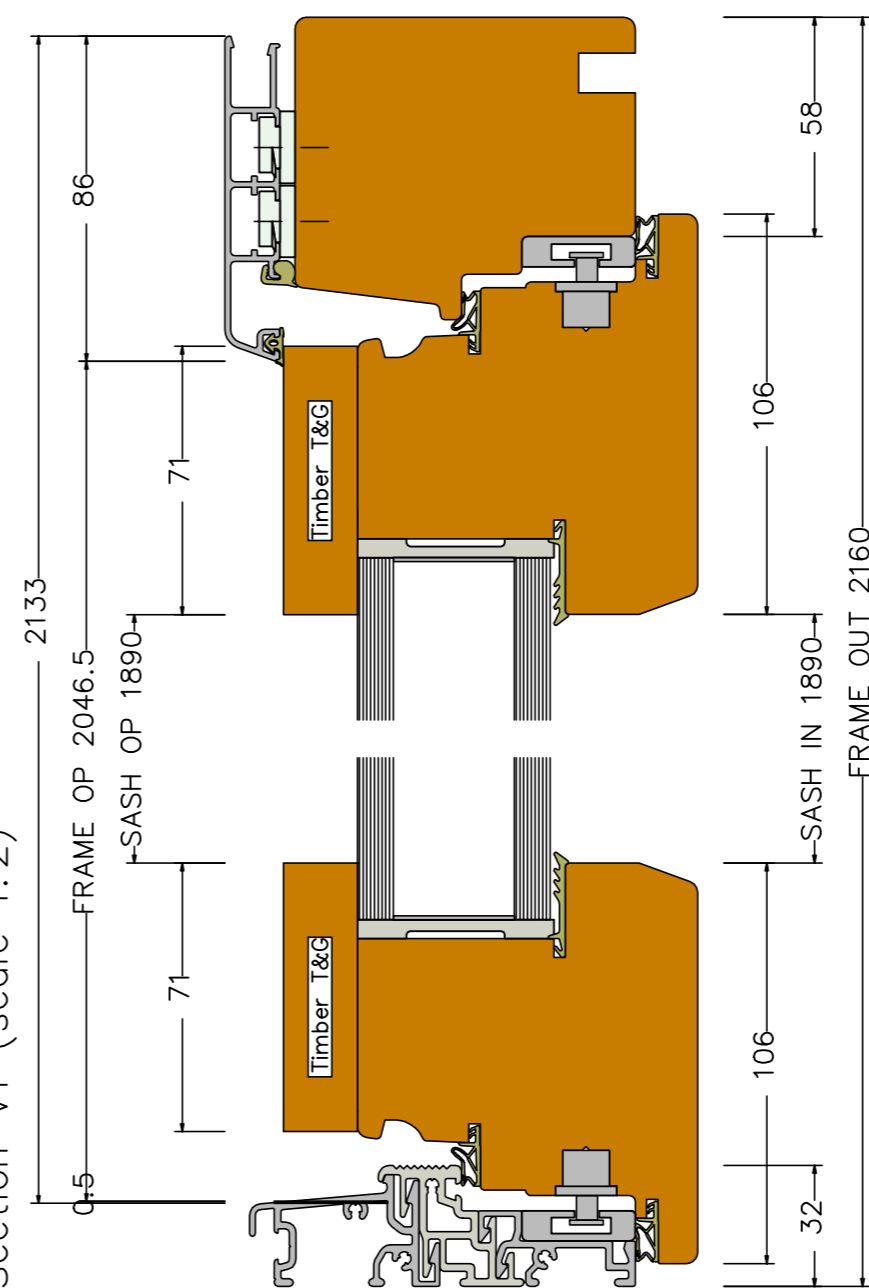
ThermaDura e-MOD Thermally Efficient Window/Door Modules	drawn 31.05.2020	Date 31.05.2020	Name Rampe
Description: DesignLine e-MOD D-607 DesignLine 90 Front door			
		These drawings are protected by copyright and only to be used in conjunction with the supply of ThermaDura products. This drawing is an instrument of service and is provided for informational use only. © 2019 ThermaDura Ltd	



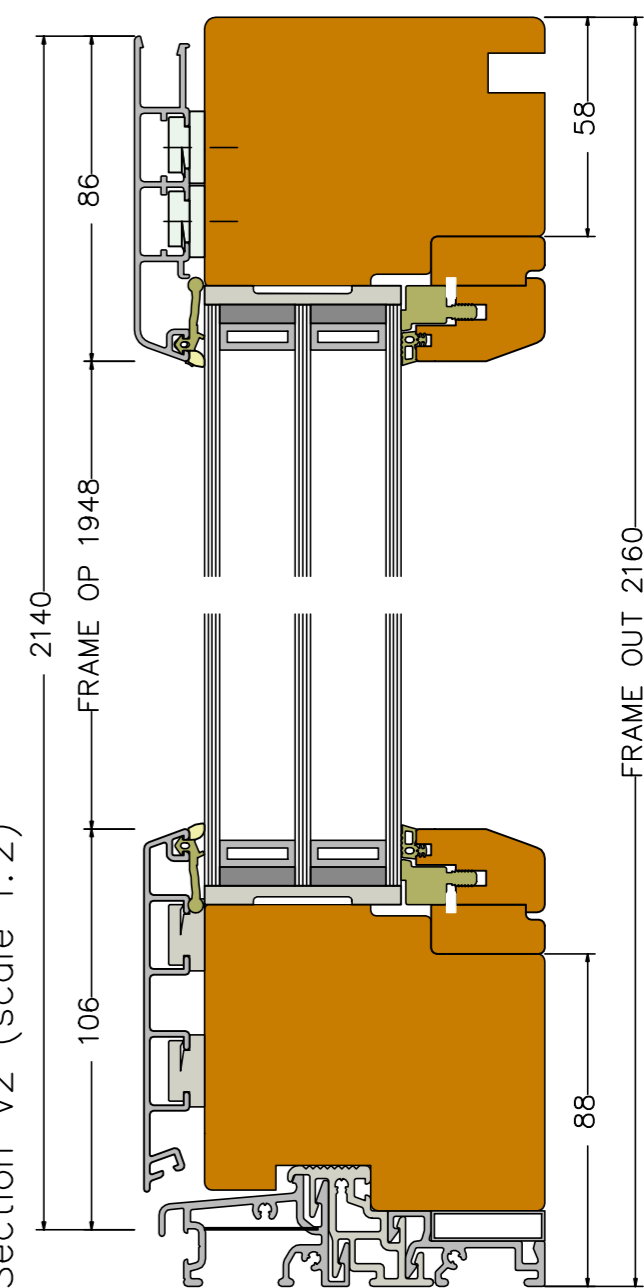
View from inside (scale 1:15)



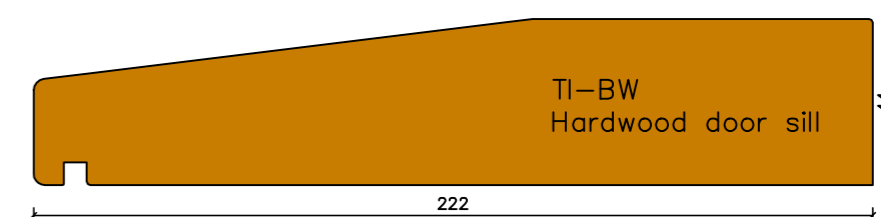
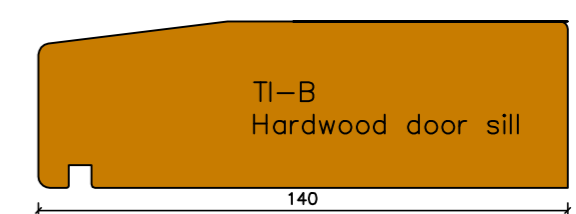
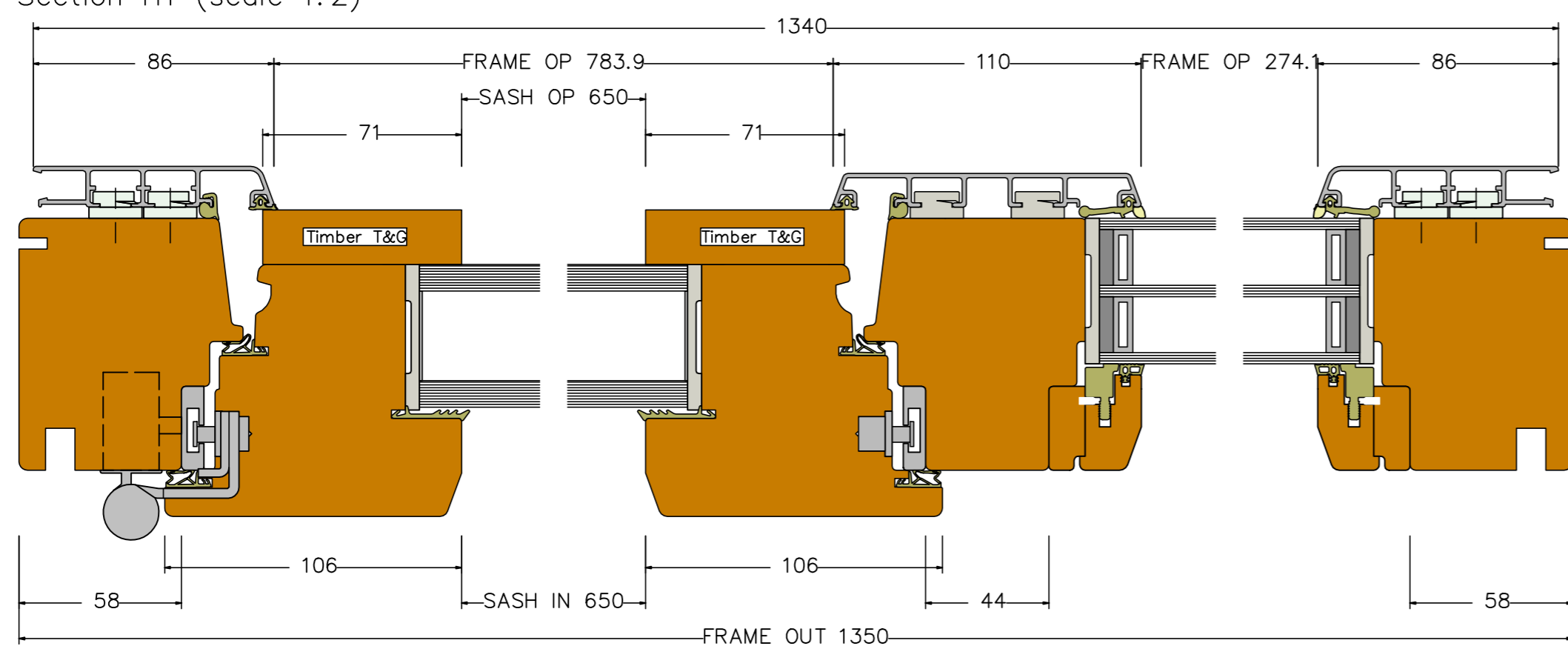
Section V1 (scale 1:2)



Section V2 (scale 1:2)

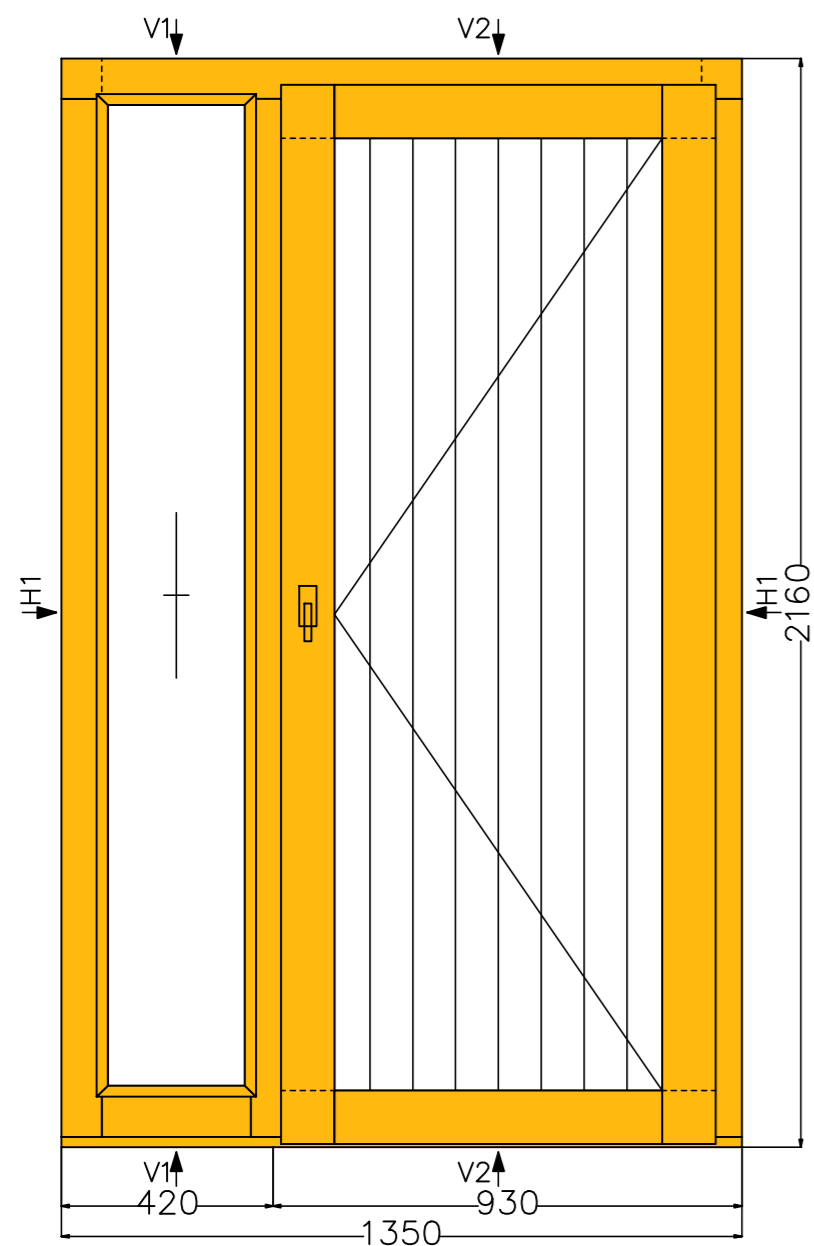


Section H1 (scale 1:2)

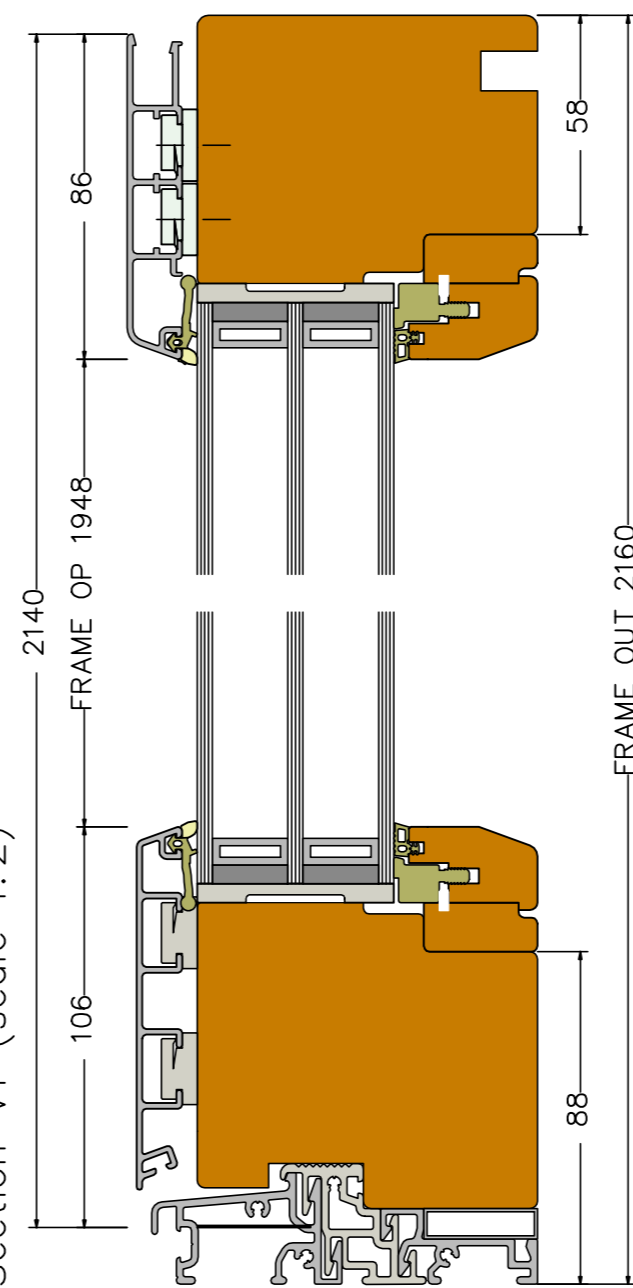


ThermaDura e-MOD Thermally Efficient Window/Door Modules	drawn	Date	Name
		31.05.2020	Rampe
Description: DesignLine e-MOD D-608 DesignLine 90 Front door LH			
<b>ThermaDura</b>	These drawings are protected by copyright and only to be used in conjunction with the supply of Thermadura products. This drawing is an instrument of service and is provided for informational use only. © 2019 ThermaDura Ltd		

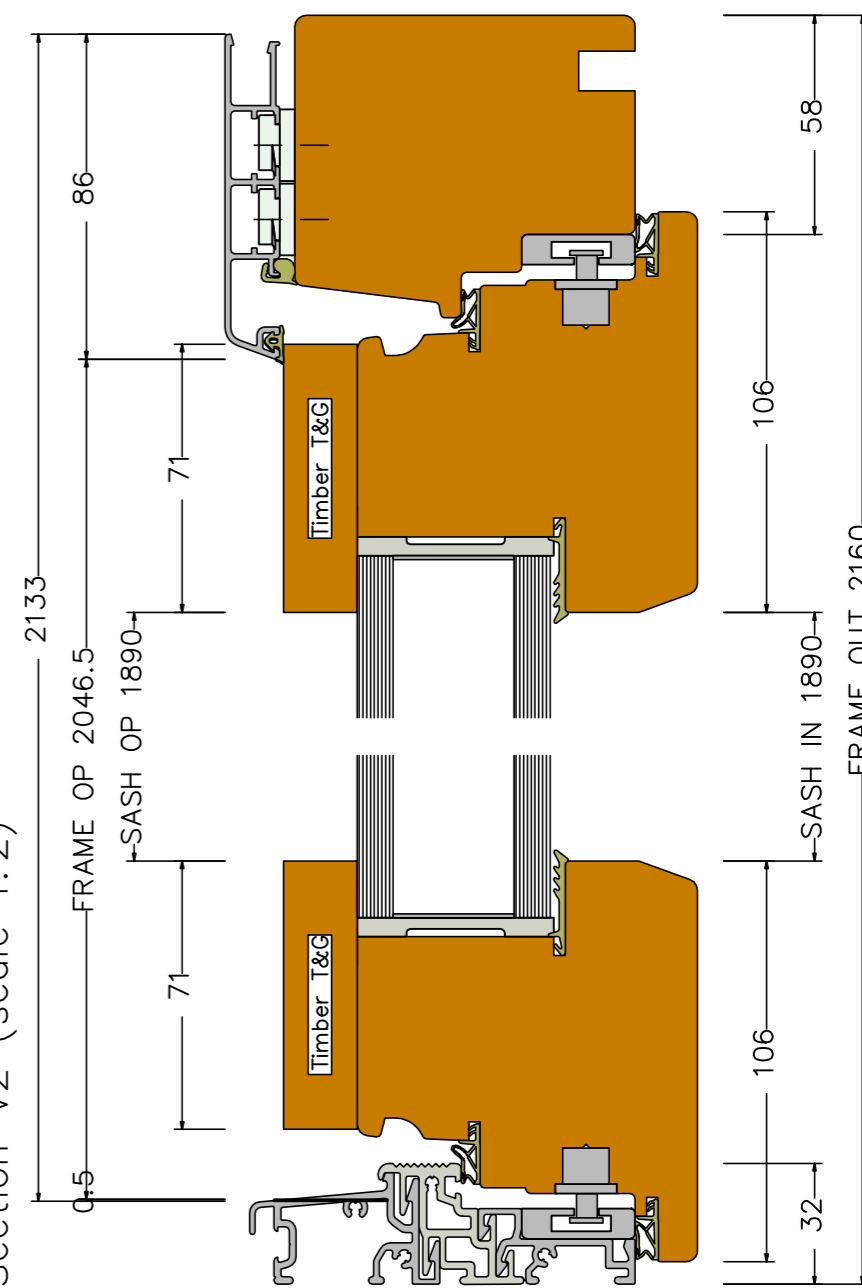
View from inside (scale 1:15)



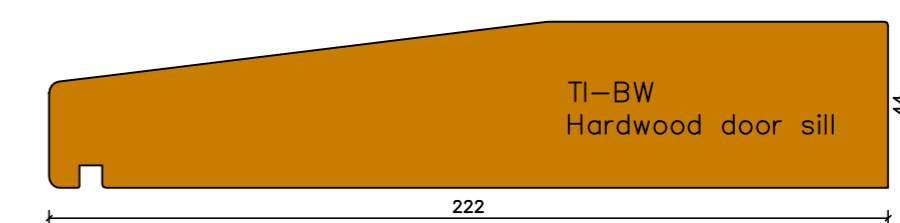
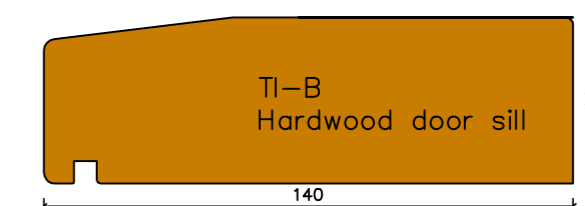
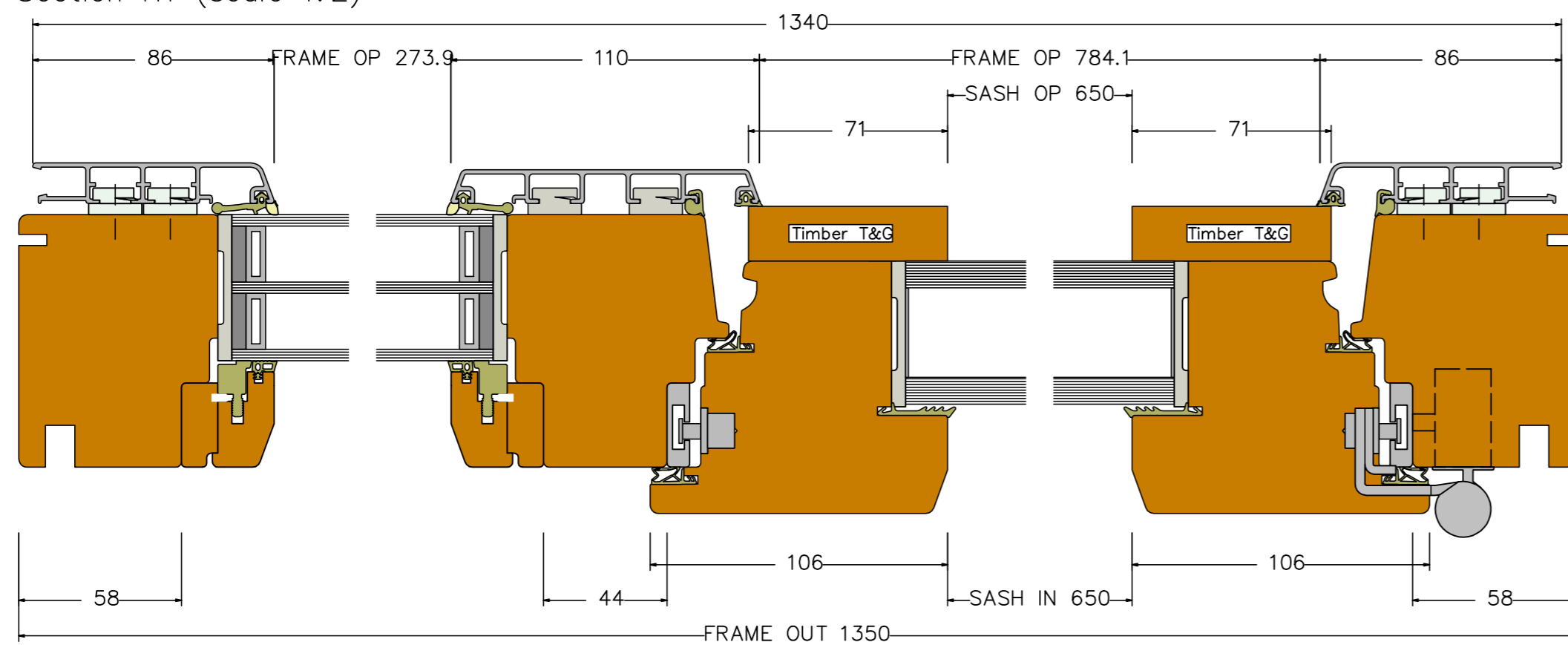
Section V1 (scale 1:2)



Section V2 (scale 1:2)

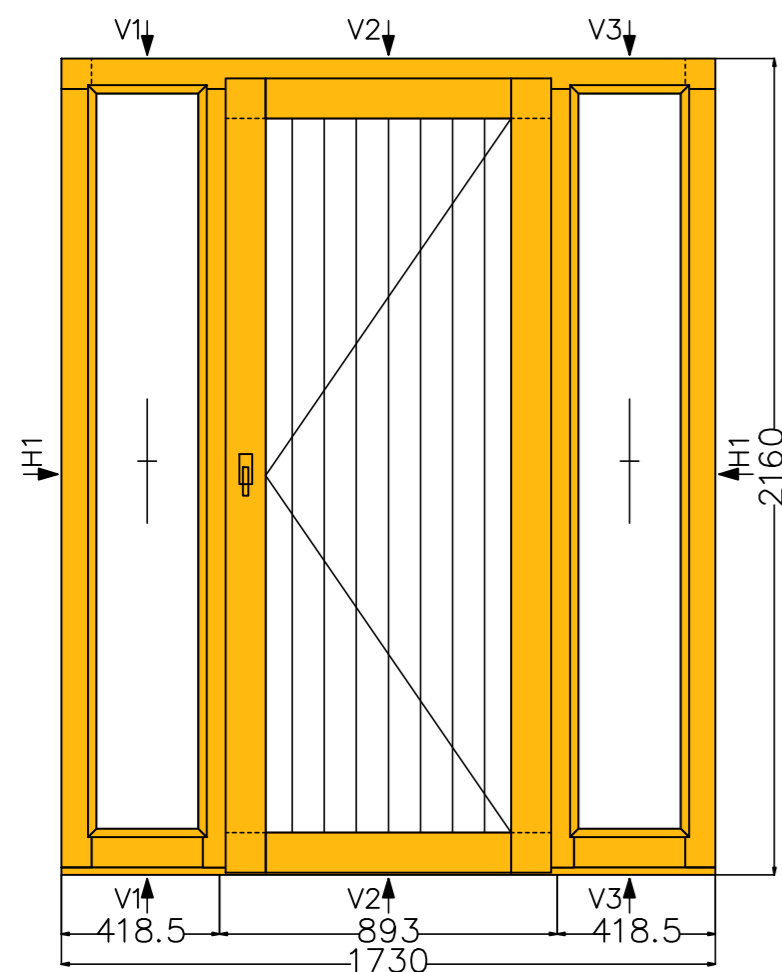


Section H1 (scale 1:2)

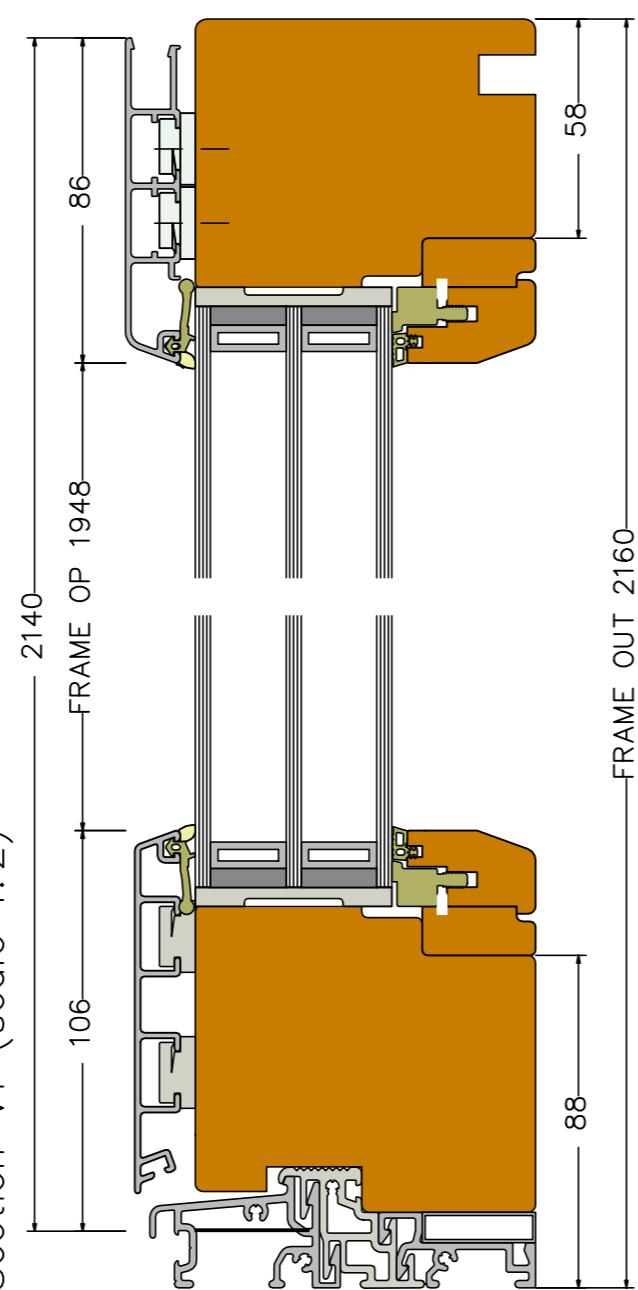


ThermaDura e-MOD Thermally Efficient Window/Door Modules	drawn	Date	Name
		31.05.2020	Rampe
Description: DesignLine e-MOD D-609 DesignLine 90 Front door RH			
<b>ThermaDura</b>	These drawings are protected by copyright and only to be used in conjunction with the supply of ThermaDura products. This drawing is an instrument of service and is provided for informational use only. © 2019 ThermaDura Ltd		

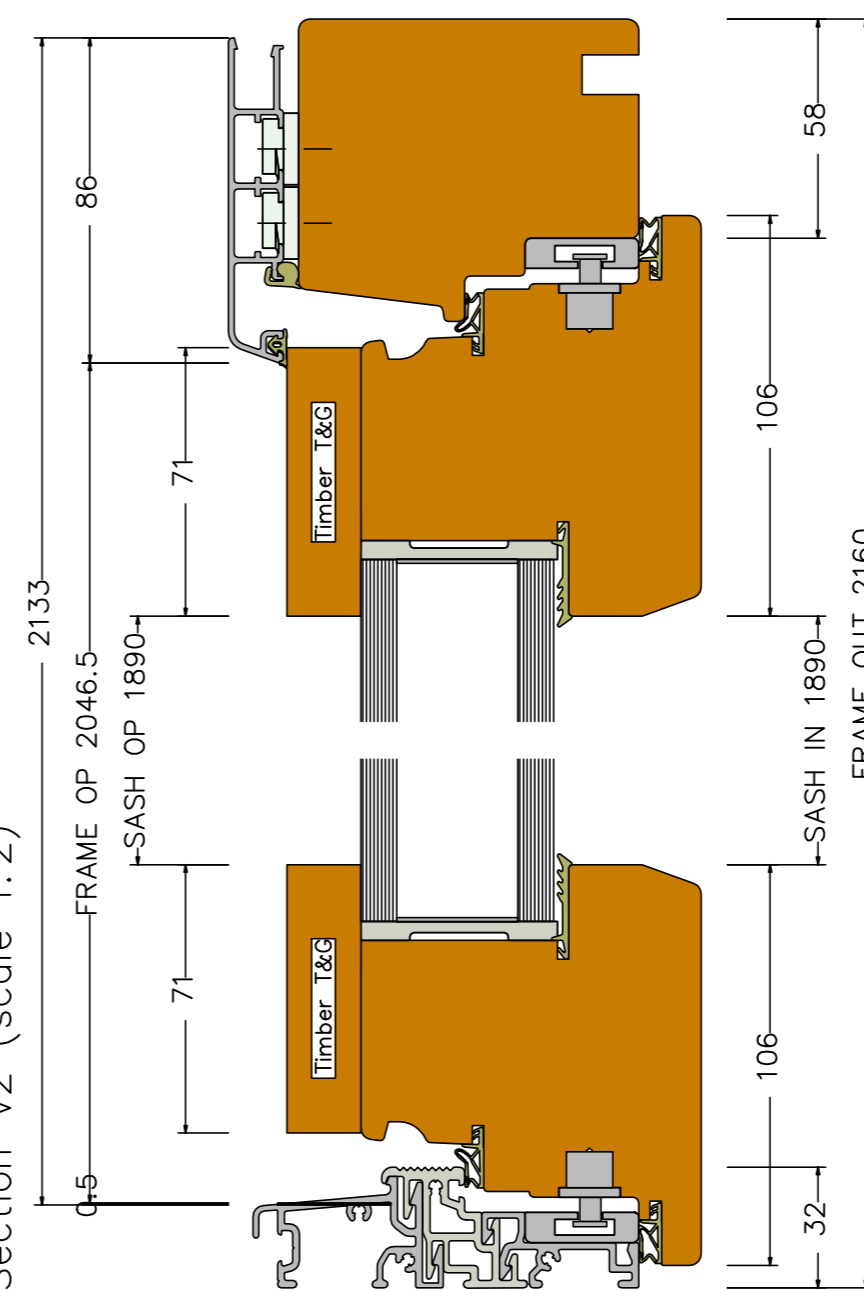
View from inside (scale 1:20)



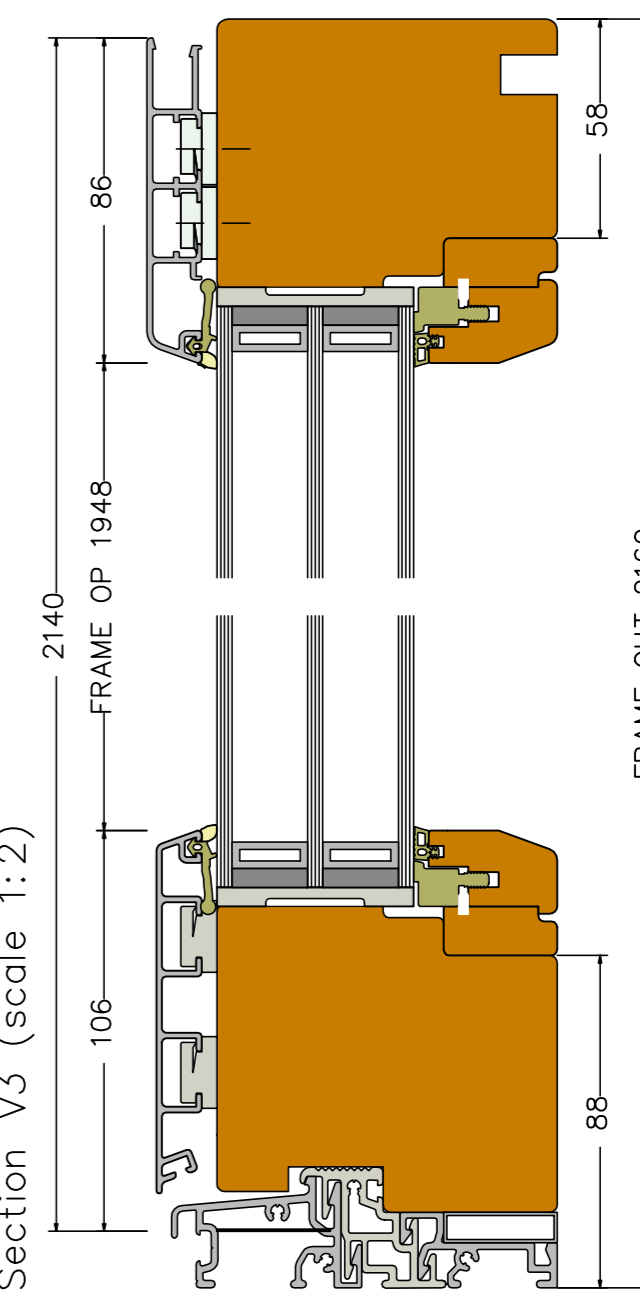
Section V1 (scale 1:2)



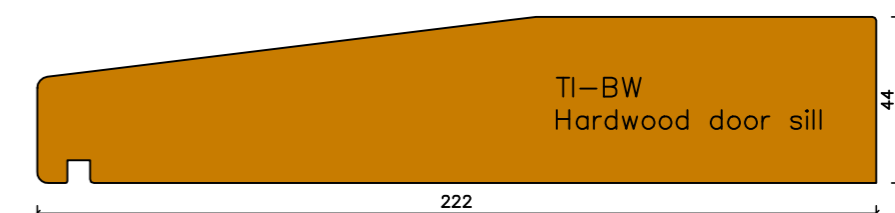
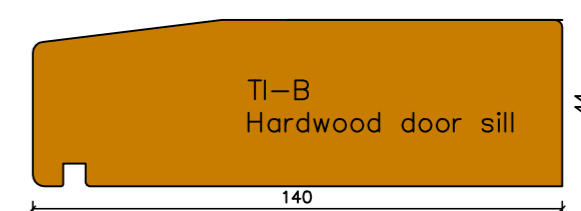
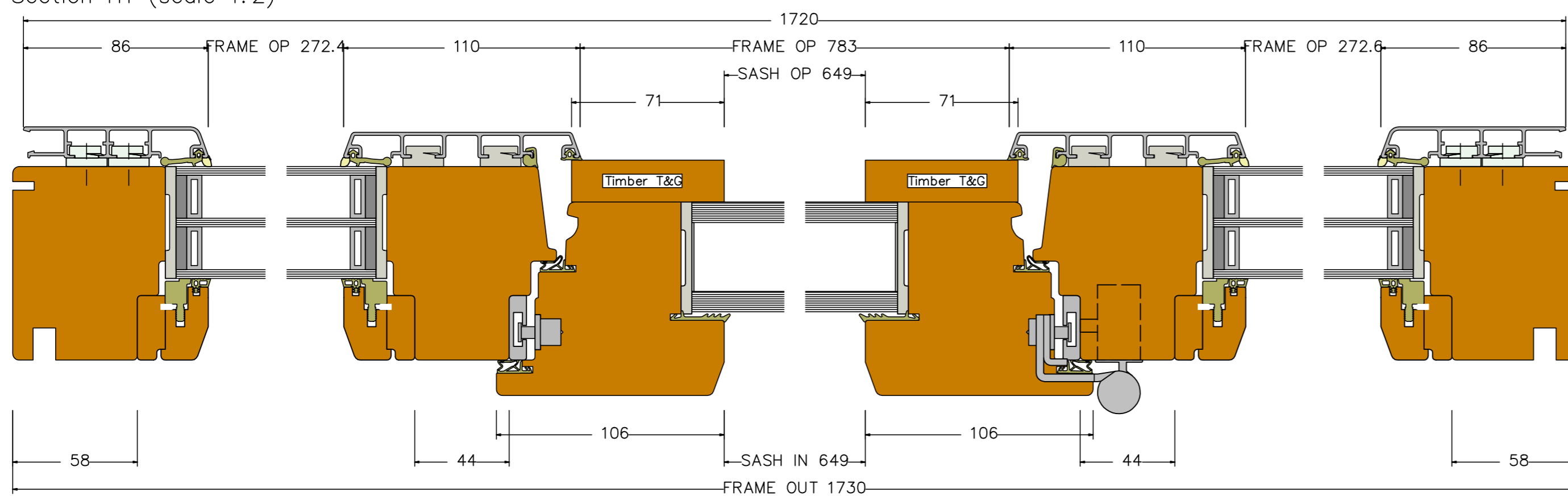
Section V2 (scale 1:2)



Section V3 (scale 1:2)



Section H1 (scale 1:2)



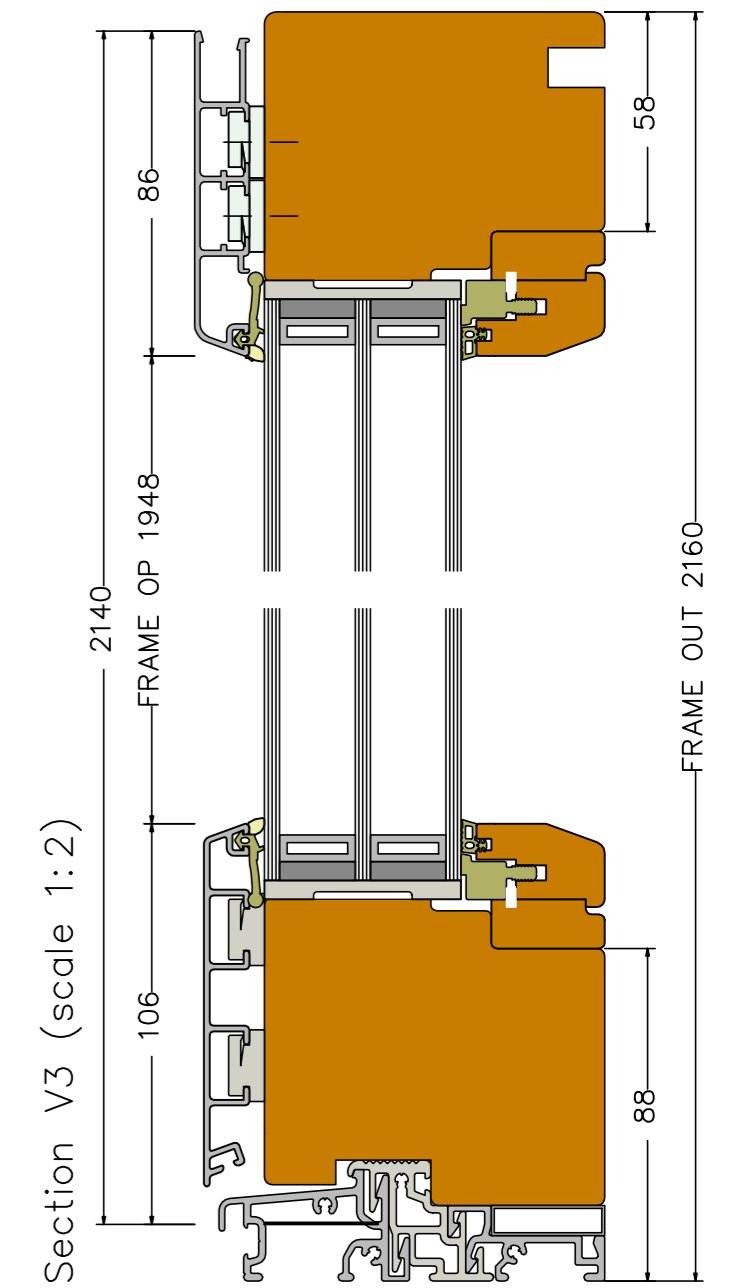
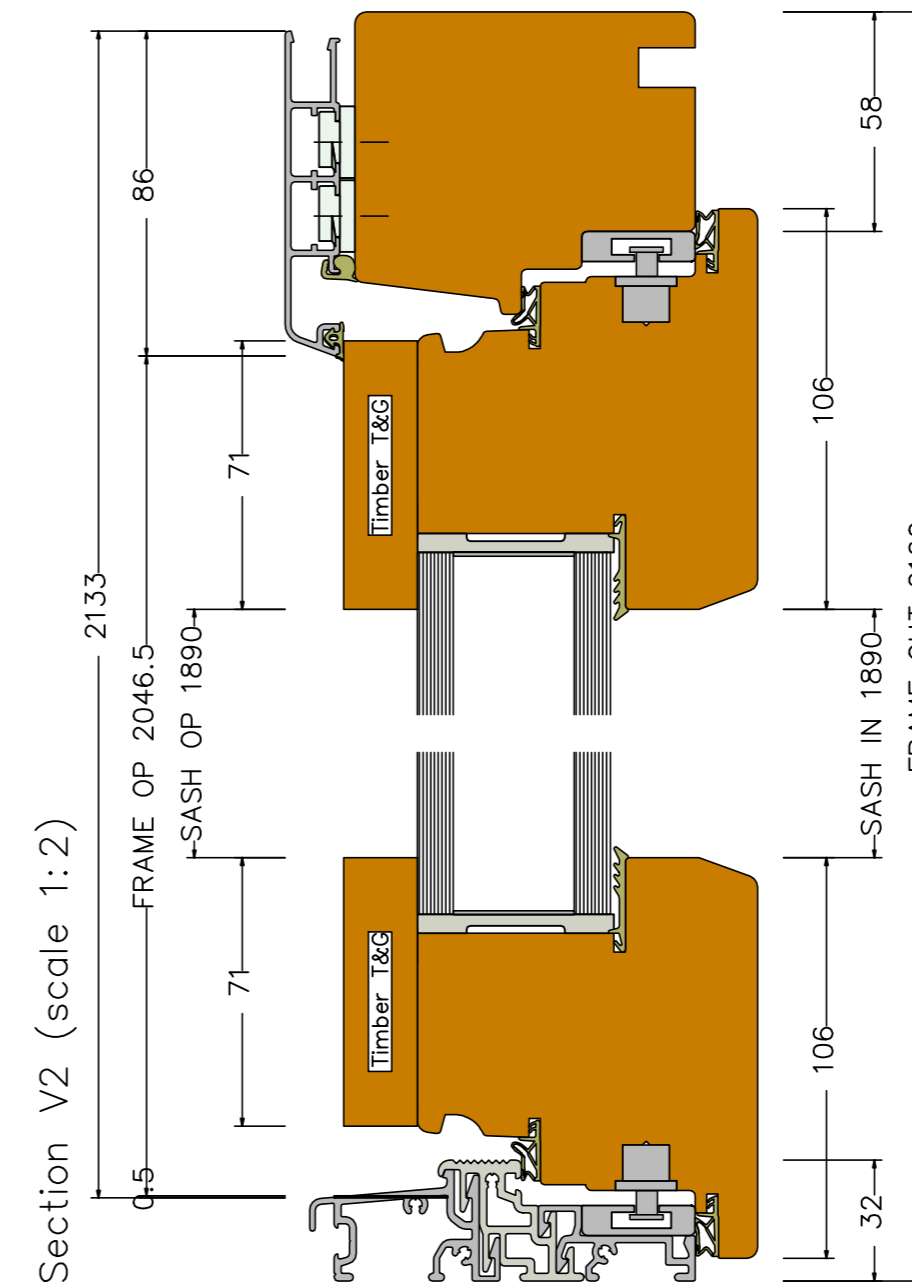
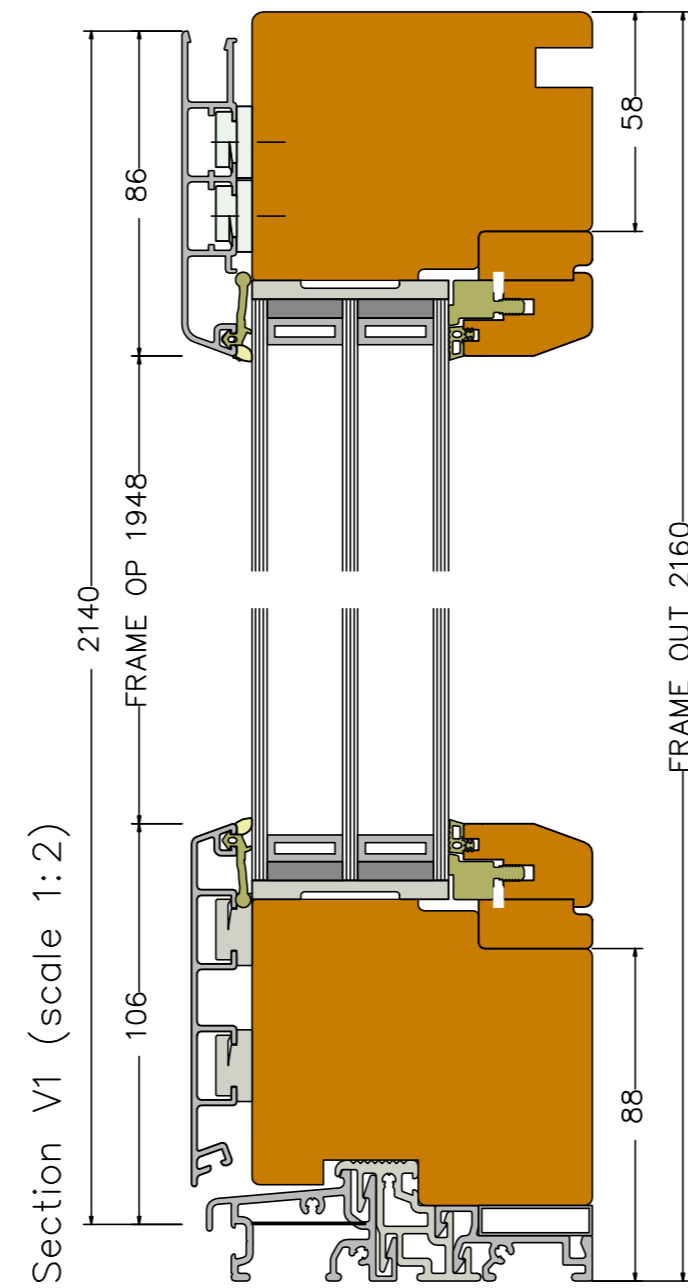
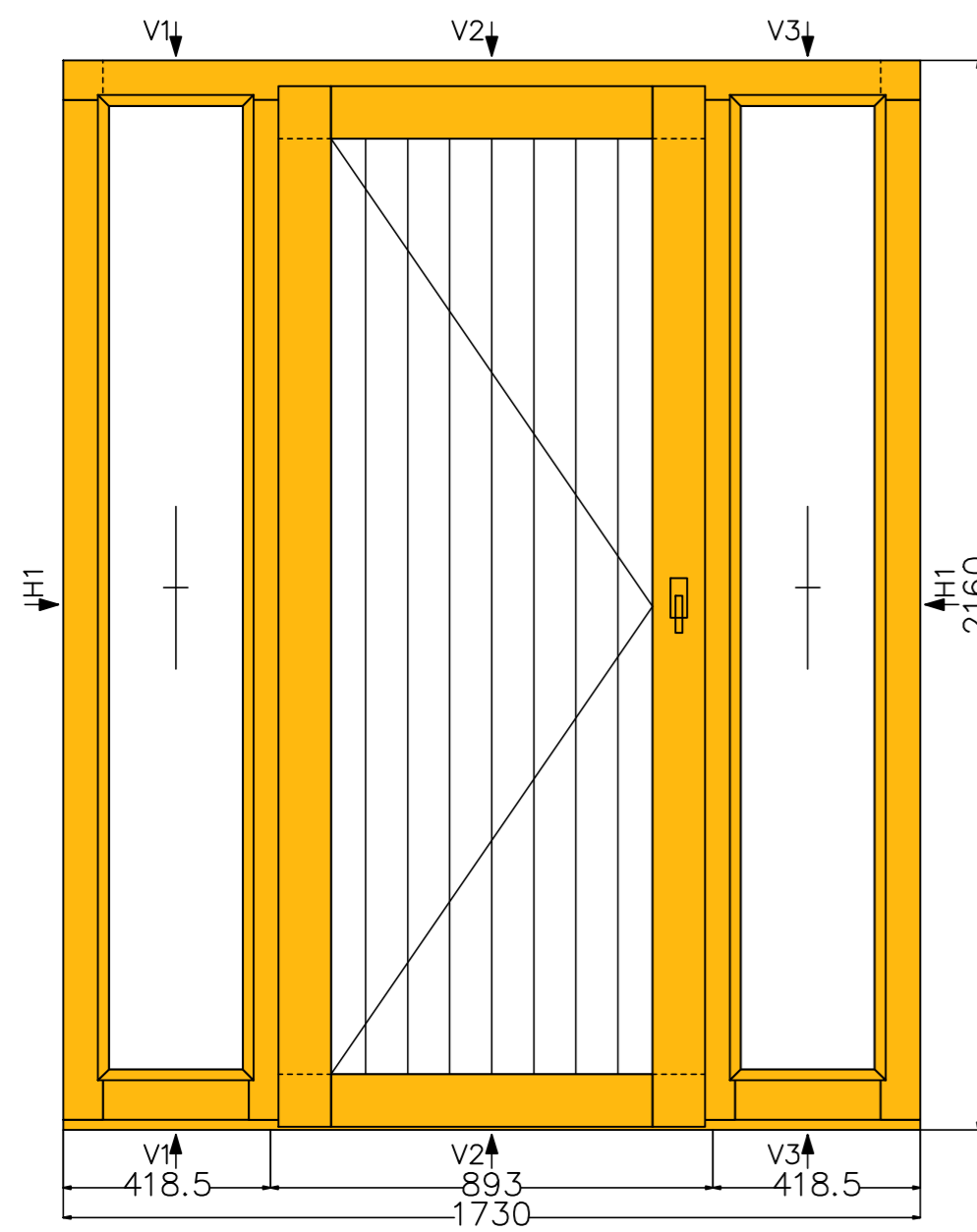
ThermaDura e-MOD Thermally Efficient Window/Door Modules	drawn	Date	Name
		31.05.2020	Rampe

Description:  
DesignLine e-MOD D-610 DesignLine 90 Front door RH

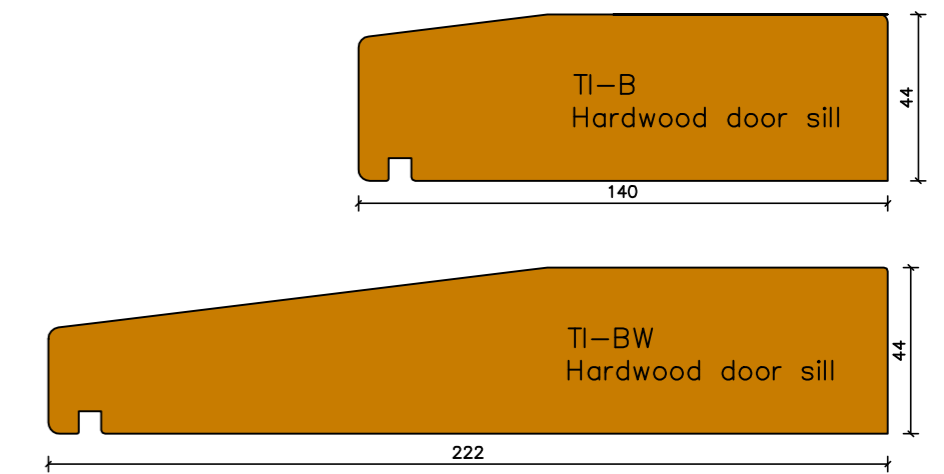
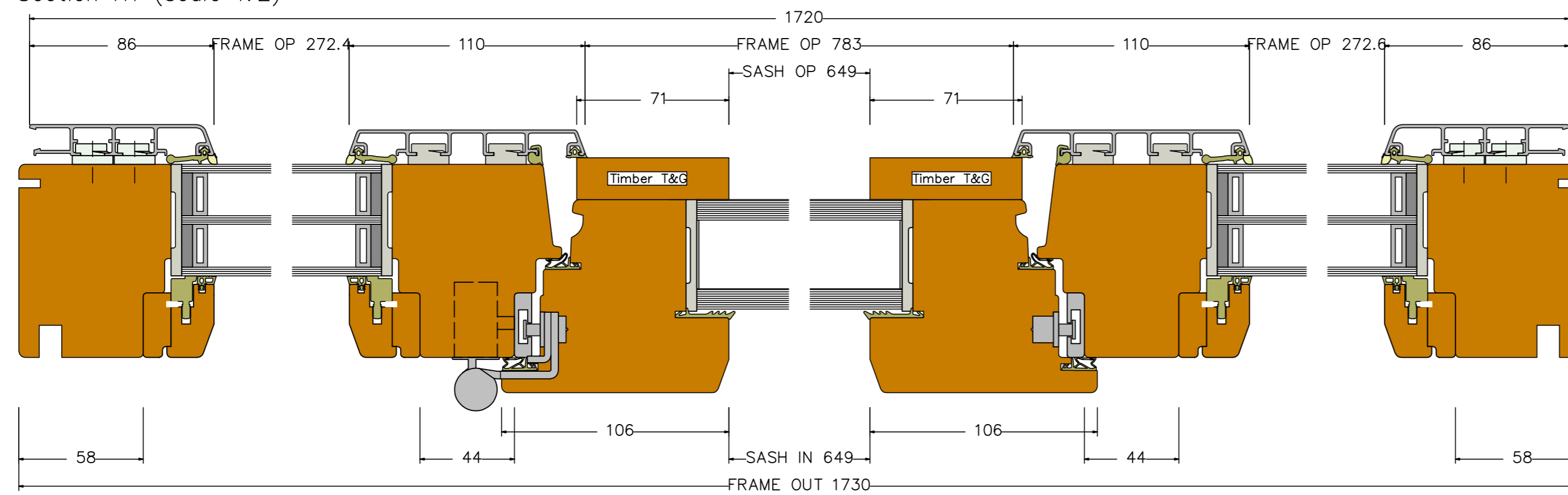


These drawings are protected by copyright and only to be used in conjunction with the supply of ThermaDura products. This drawing is an instrument of service and is provided for informational use only.  
© 2019 ThermaDura Ltd

View from inside (scale 1:15)

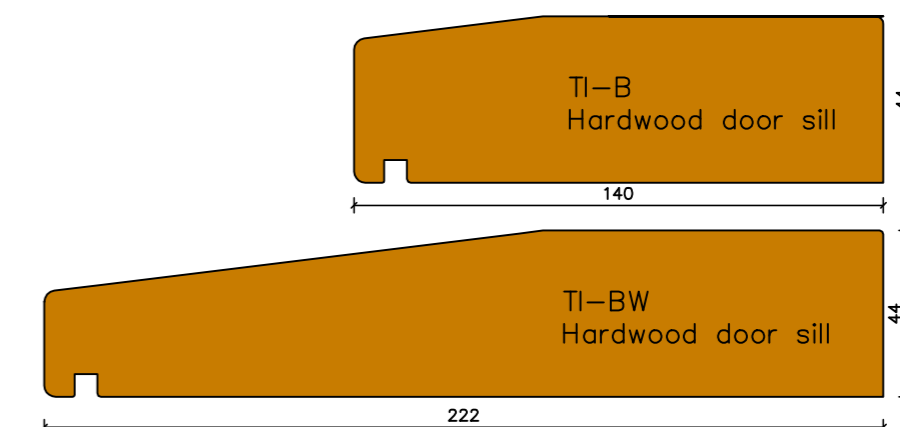
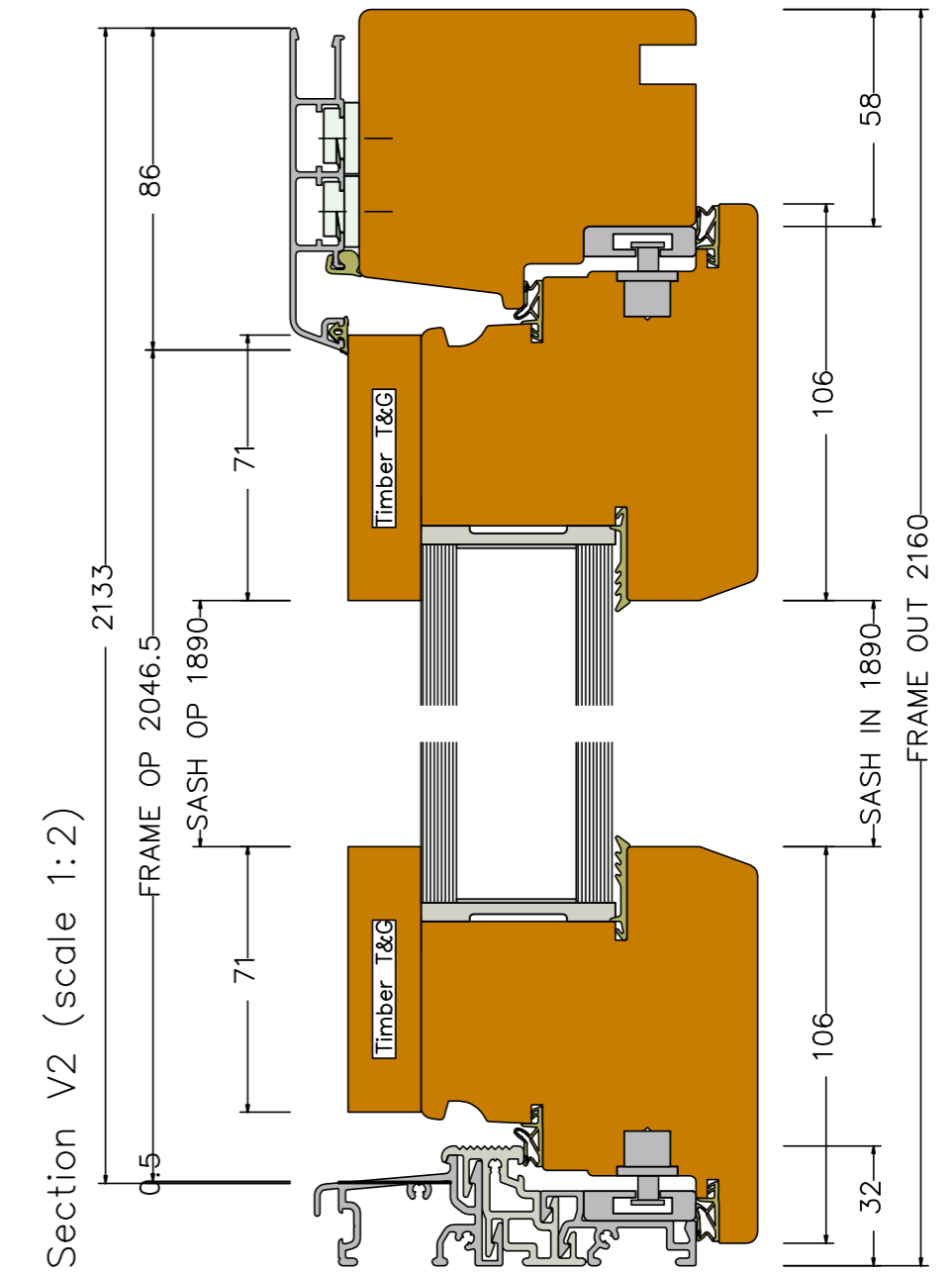
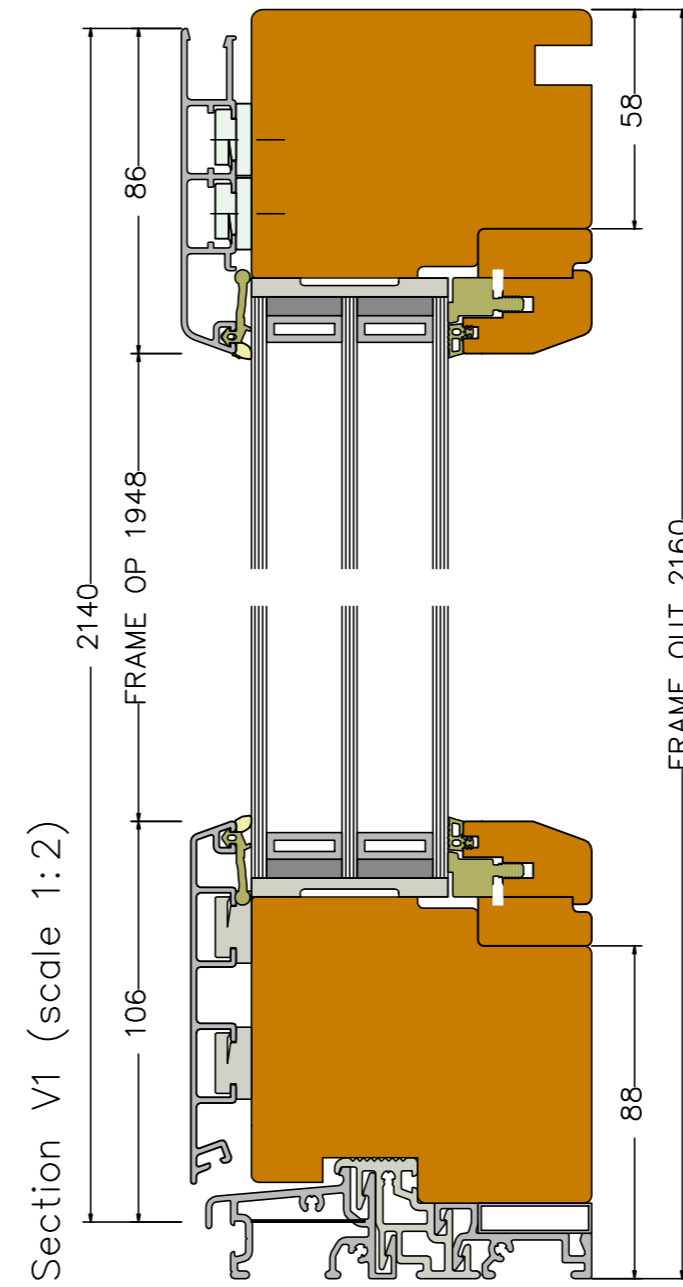
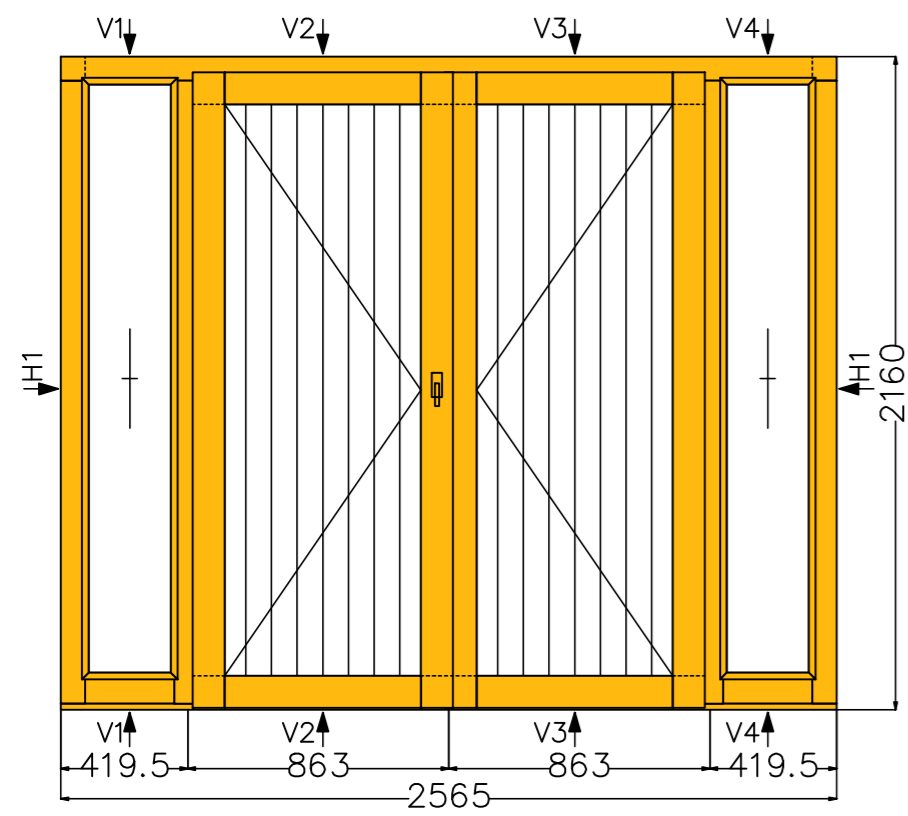


Section H1 (scale 1:2)

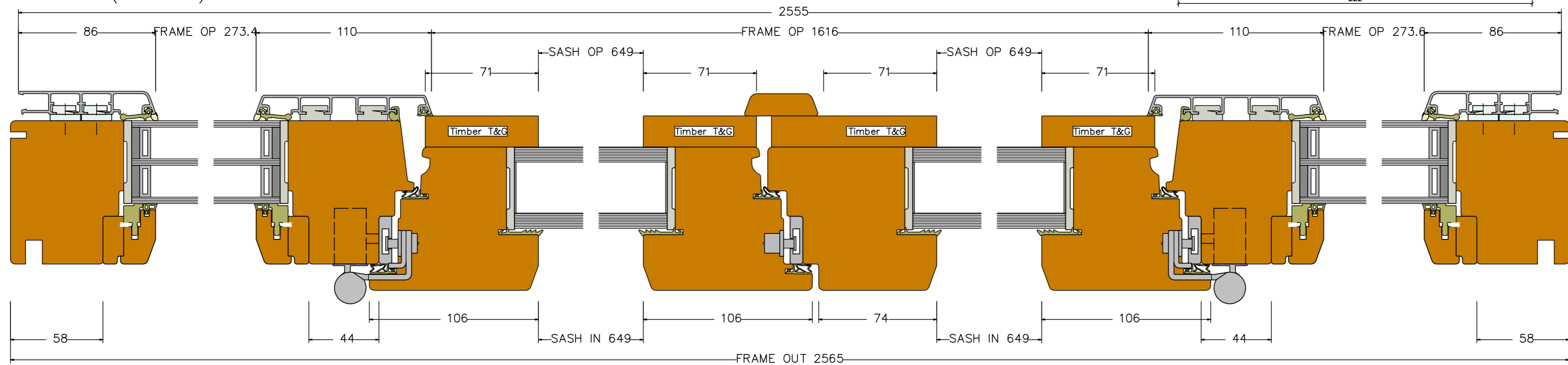


ThermaDura e-MOD Thermally Efficient Window/Door Modules	drawn	Date	Name
		31.05.2020	Rampe
Description: DesignLine e-MOD D-611 DesignLine 90 Front door LH			
		These drawings are protected by copyright and only to be used in conjunction with the supply of ThermaDura products. This drawing is an instrument of service and is provided for informational use only. © 2019 ThermaDura Ltd	

View from inside (scale 1:25)



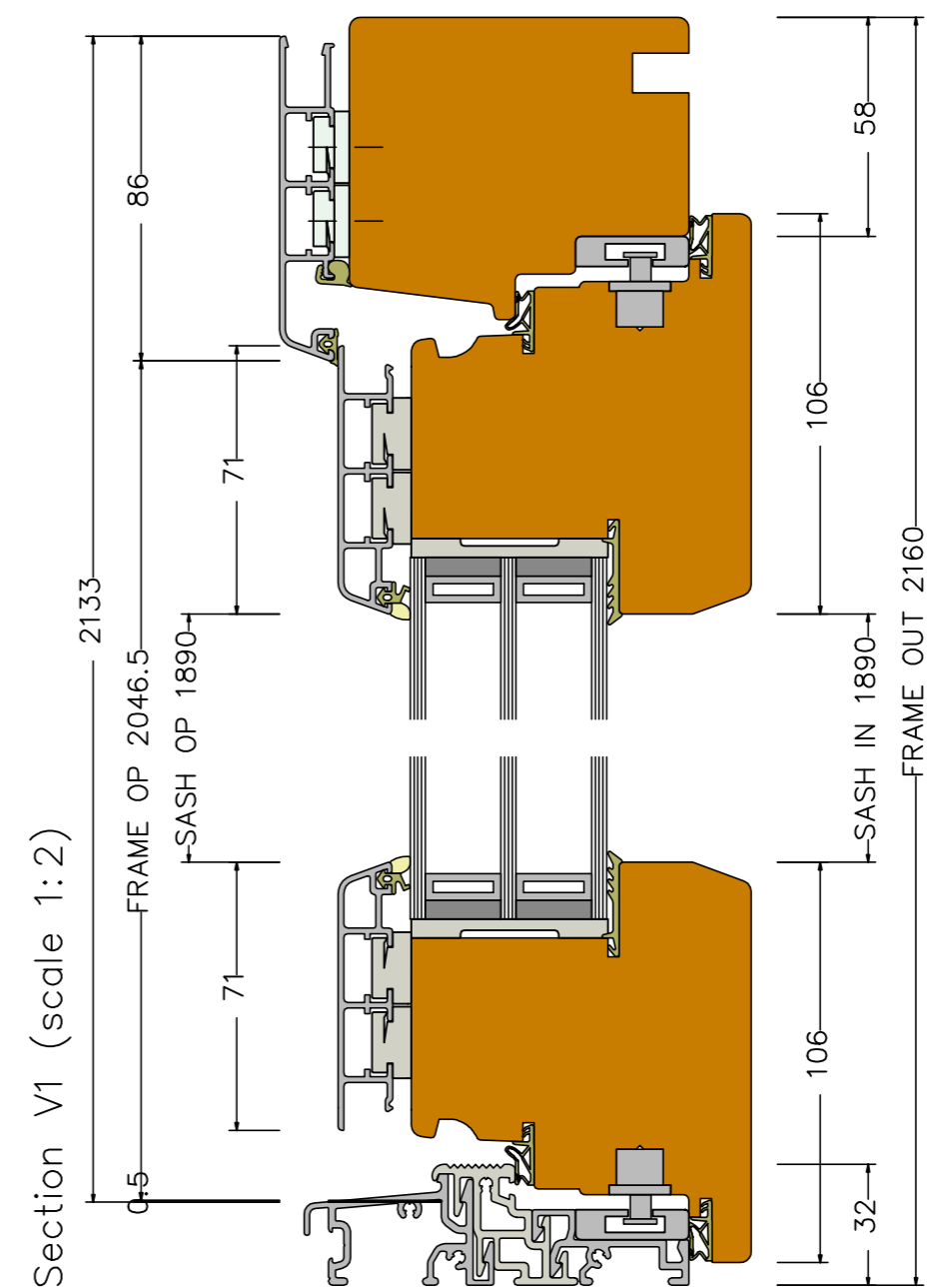
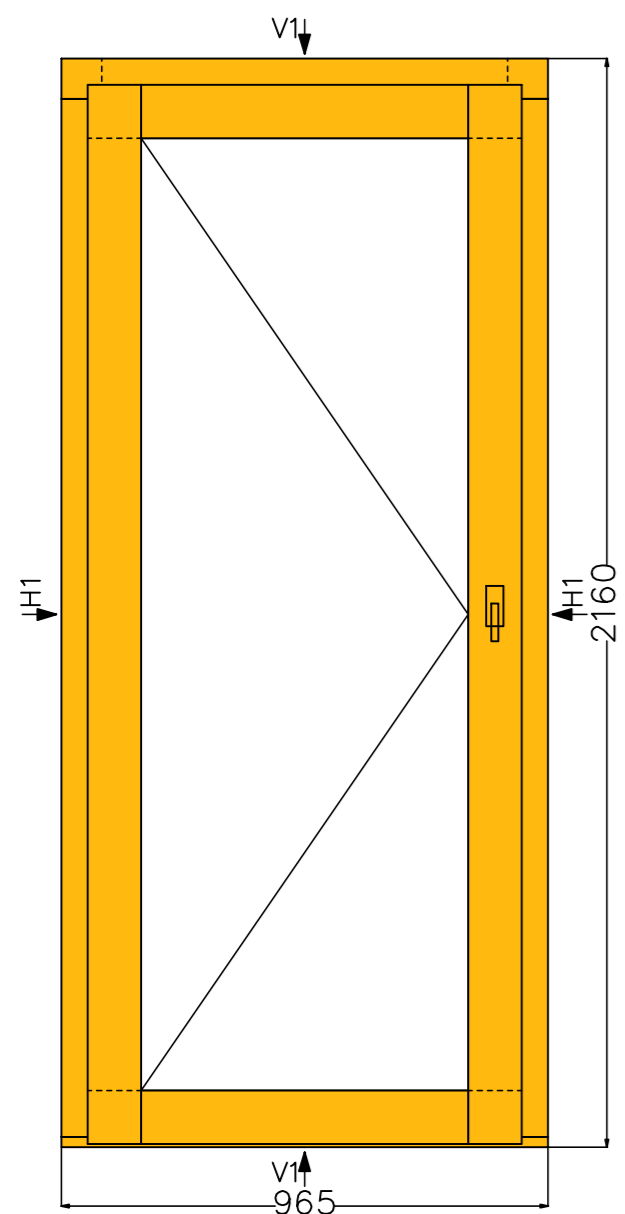
Section H1 (scale 1:2)



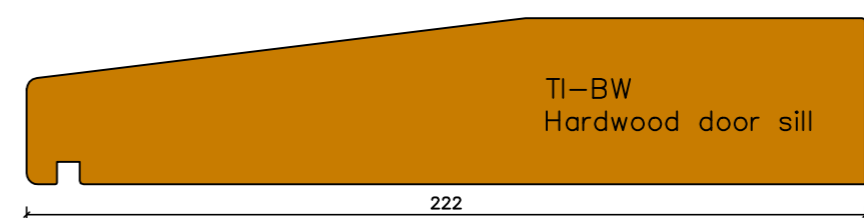
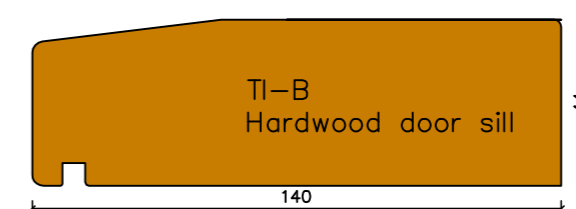
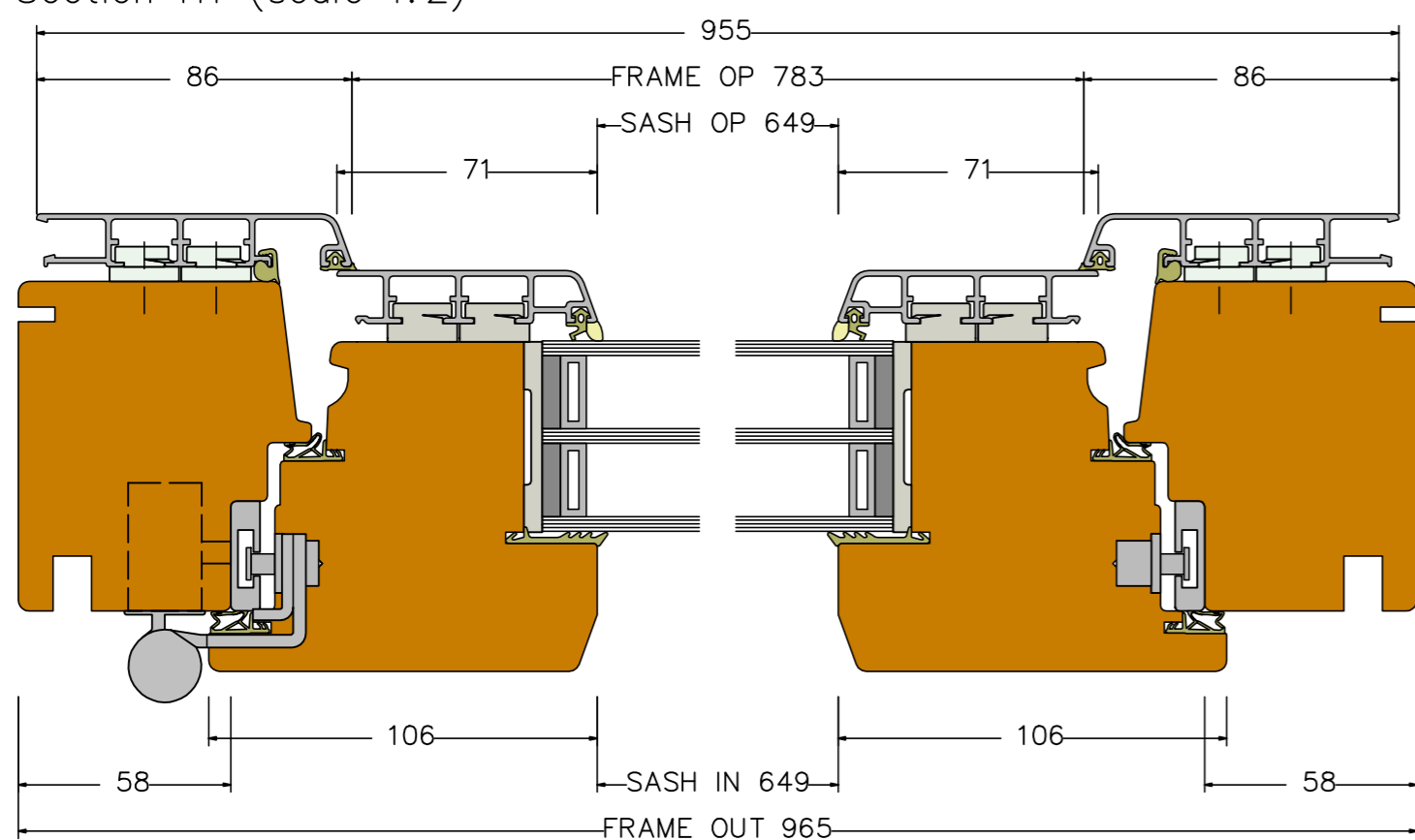
ThermaDura e-MOD Thermally Efficient Window/Door Modules	drawn	Date	Name
		31.05.2020	Rampe
Description: DesignLine e-MOD D-612 DesignLine 90 Front door			
	These drawings are protected by copyright and only to be used in conjunction with the supply of Thermadura products. This drawing is an instrument of service and is provided for informational use only.		
	© 2019 ThermaDura Ltd		



View from inside (scale 1:15)

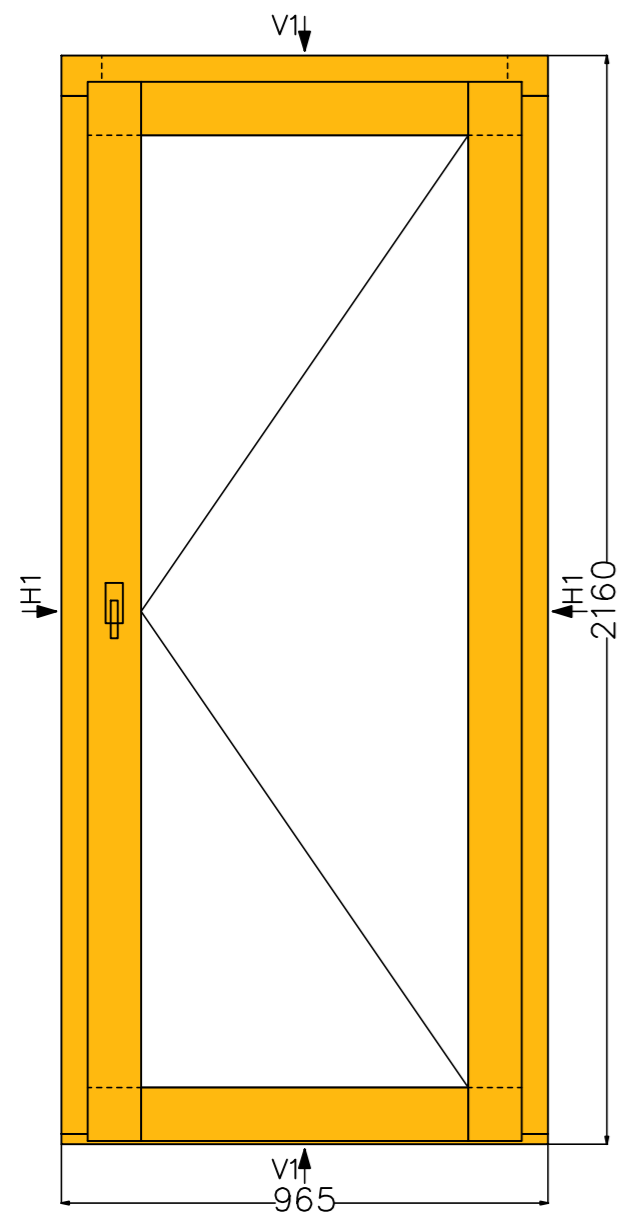


Section H1 (scale 1:2)

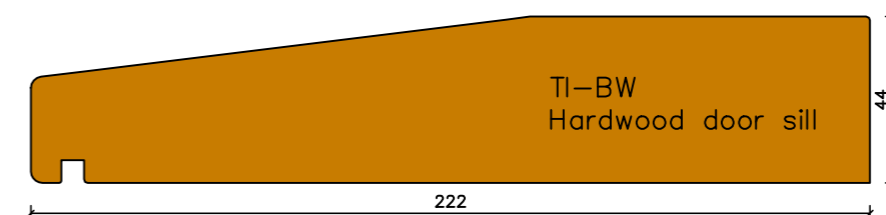
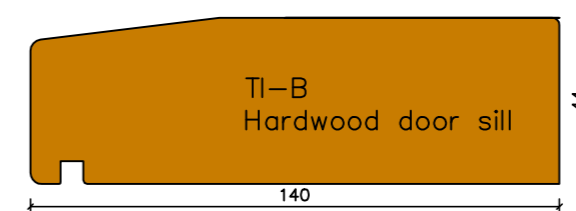
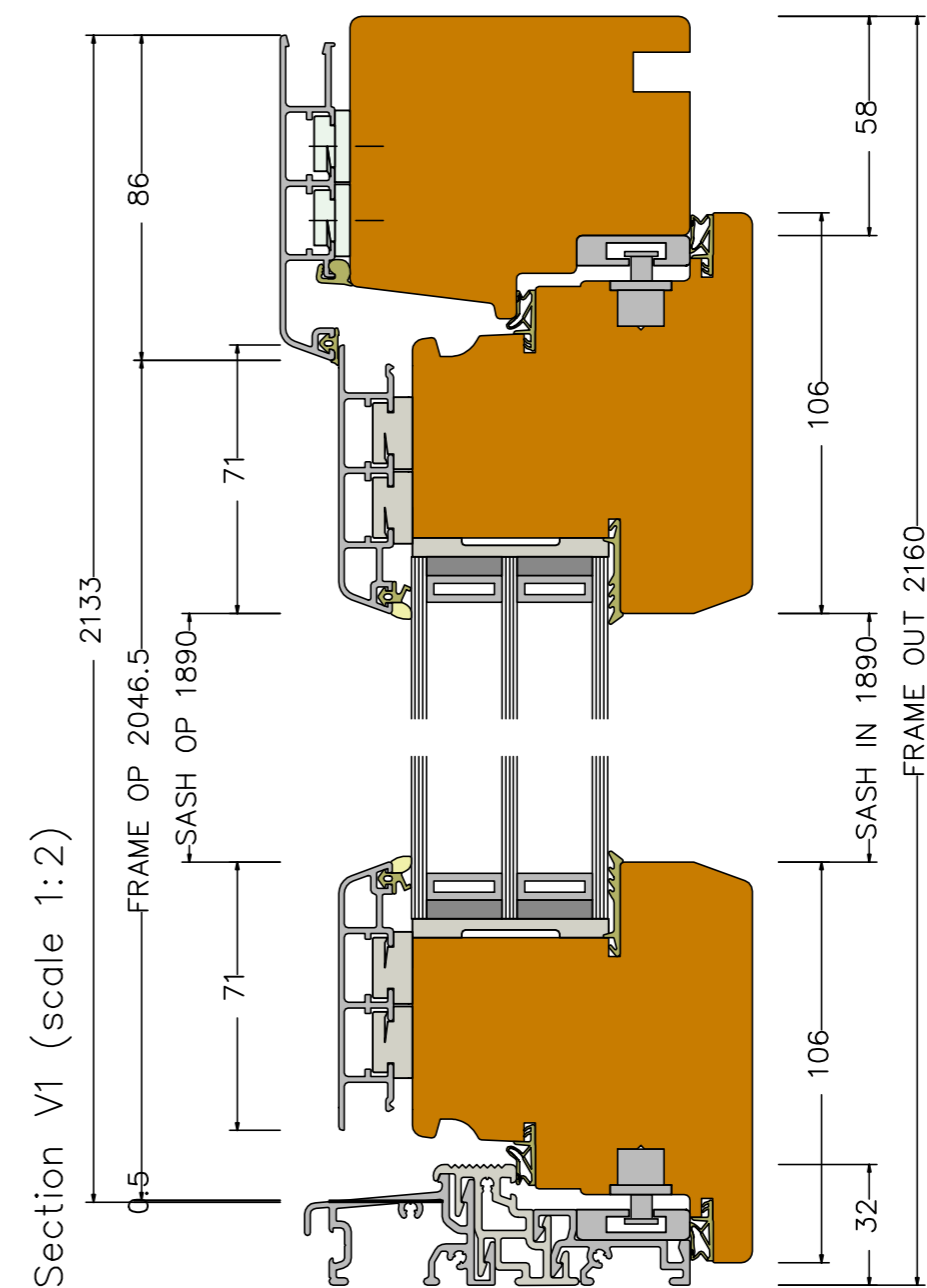
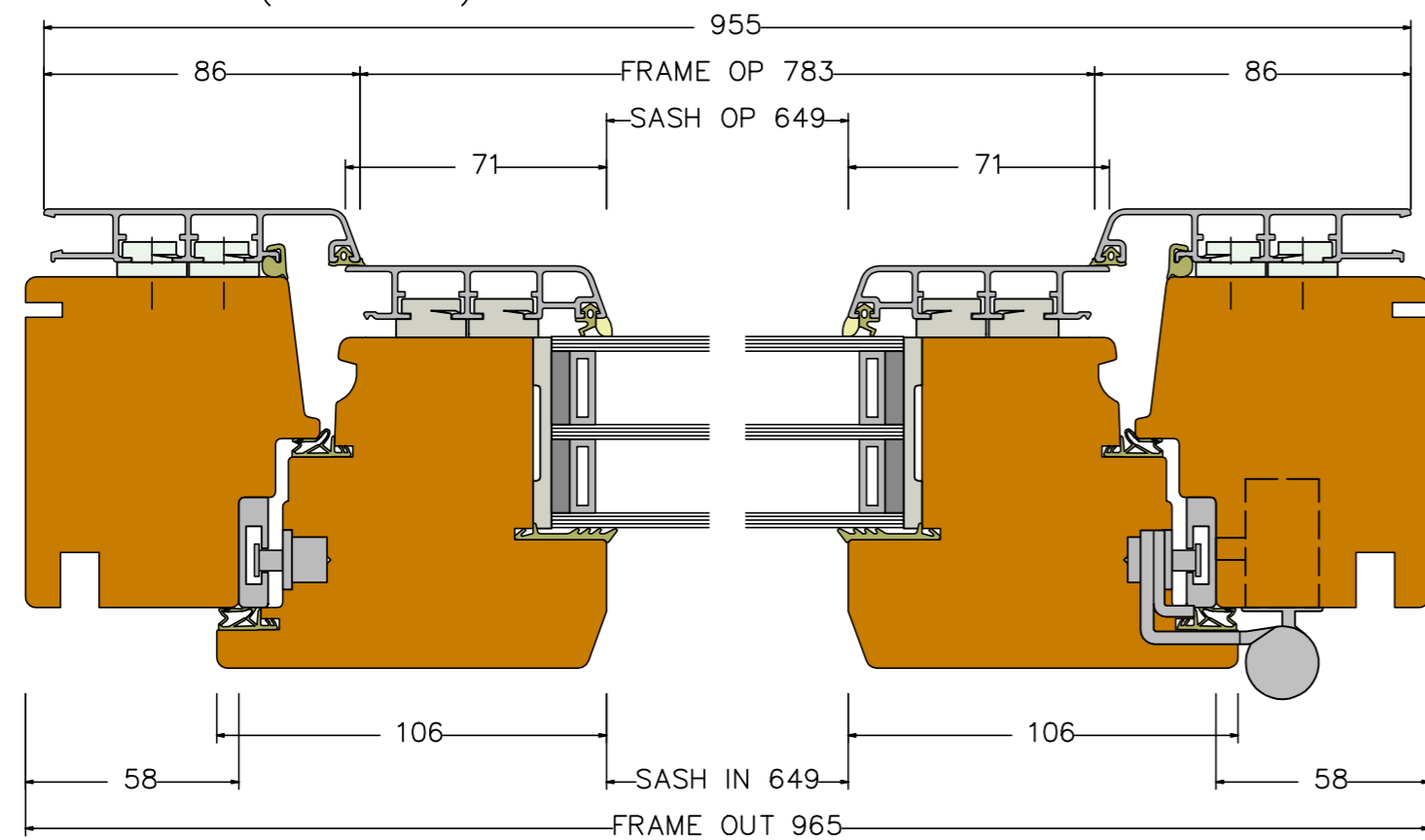


ThermaDura e-MOD Thermally Efficient Window/Door Modules	drawn	Date	Name
		31.05.2020	Rampe
Description: DesignLine e-MOD D-651 DesignLine 90 door LH (inwards op.)			
<b>ThermaDura</b>	These drawings are protected by copyright and only to be used in conjunction with the supply of Thermadura products. This drawing is an instrument of service and is provided for informational use only. © 2019 ThermaDura Ltd		

View from inside (scale 1:15)



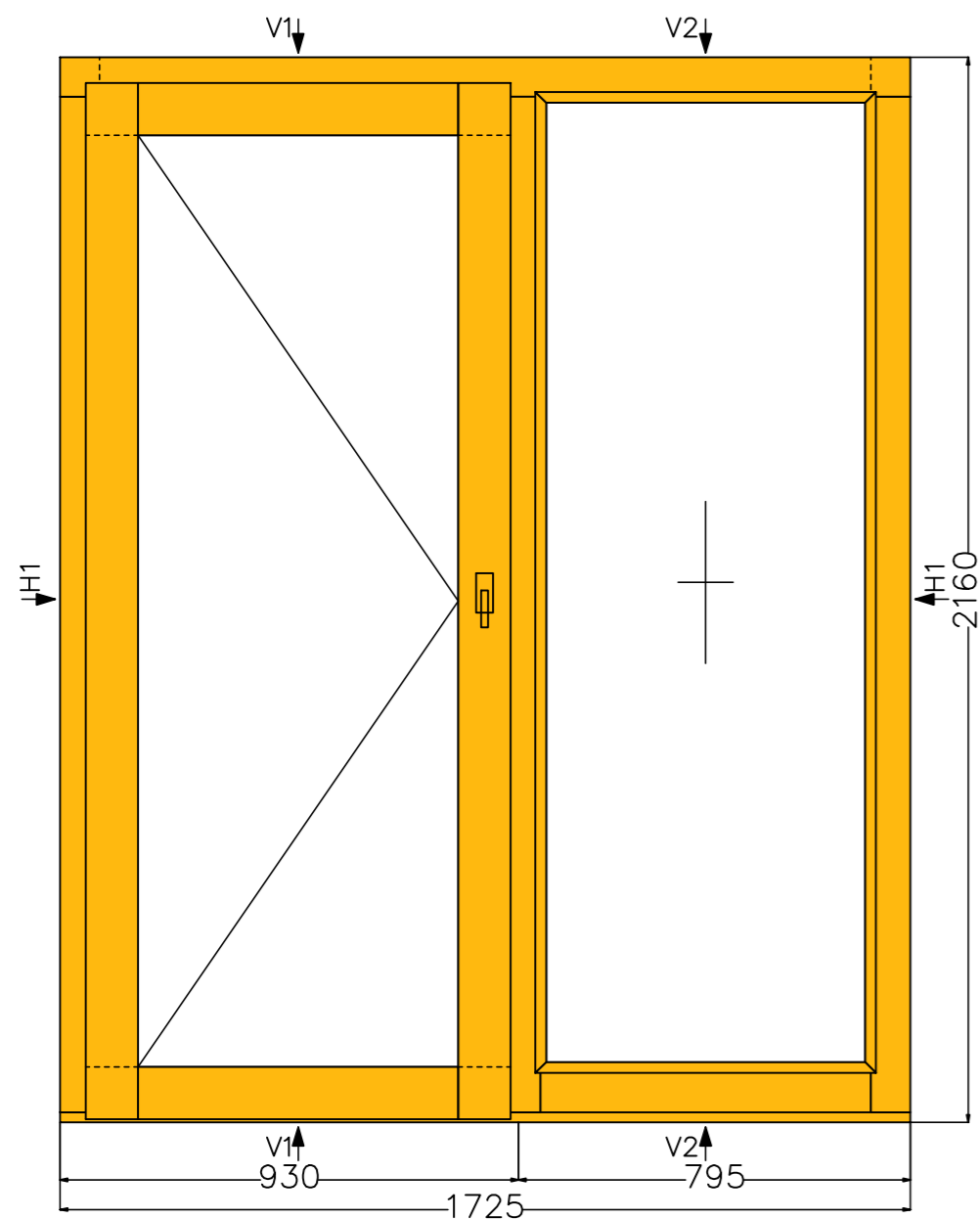
Section H1 (scale 1:2)



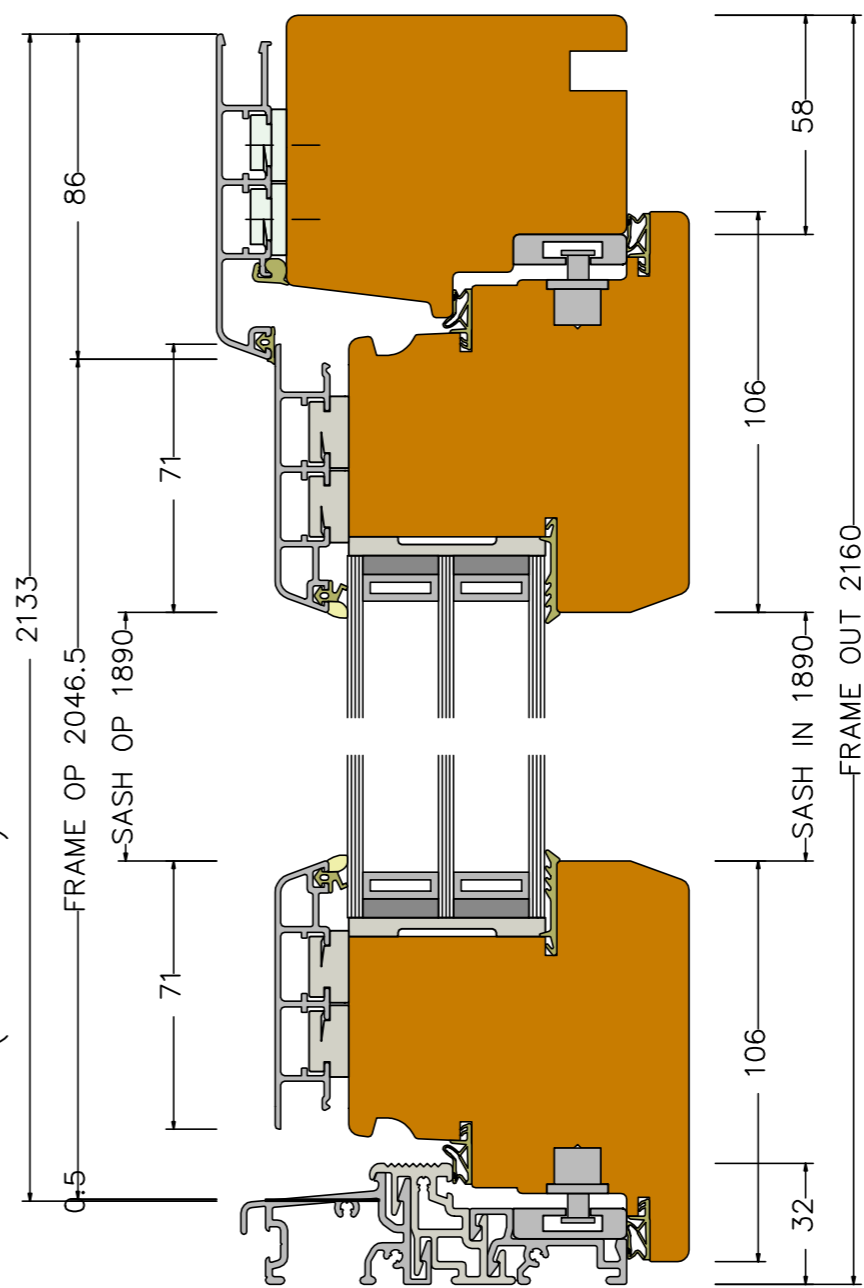
ThermaDura e-MOD Thermally Efficient Window/Door Modules	drawn	Date	Name
		31.05.2020	Rampe
Description: DesignLine e-MOD D-652 DesignLine 90 door RH (inwards op.)			
<b>ThermaDura</b>	These drawings are protected by copyright and only to be used in conjunction with the supply of ThermaDura products. This drawing is an instrument of service and is provided for informational use only. © 2019 ThermaDura Ltd		



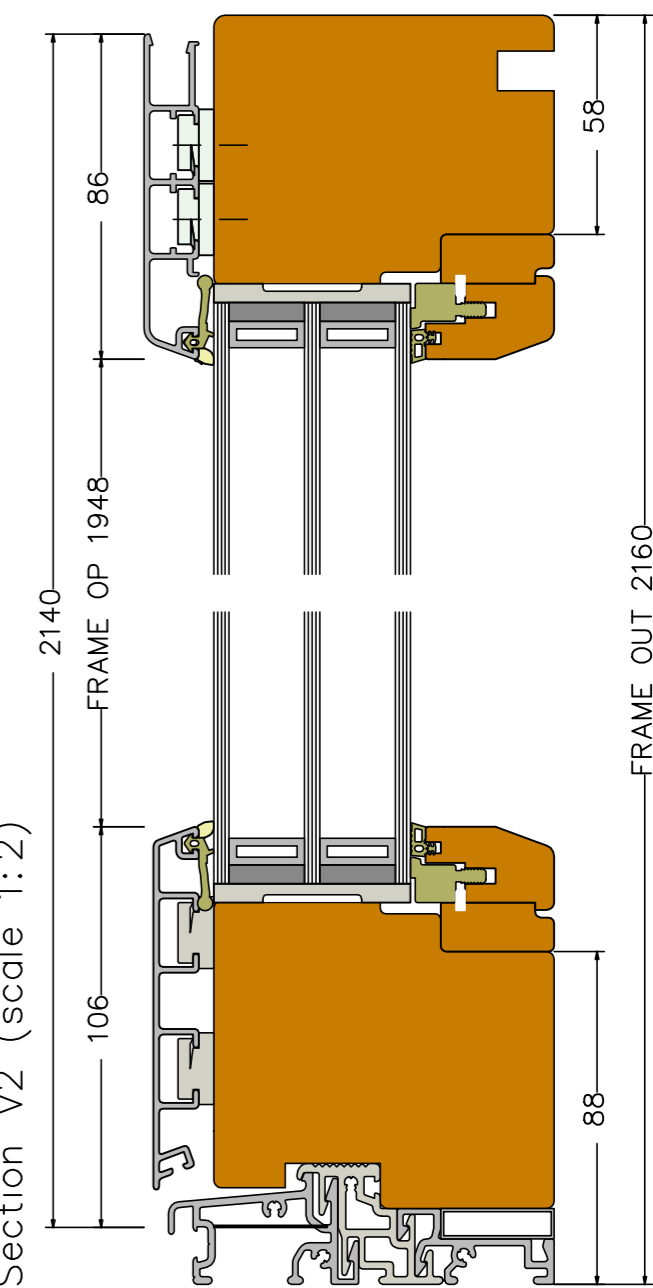
View from inside (scale 1:15)



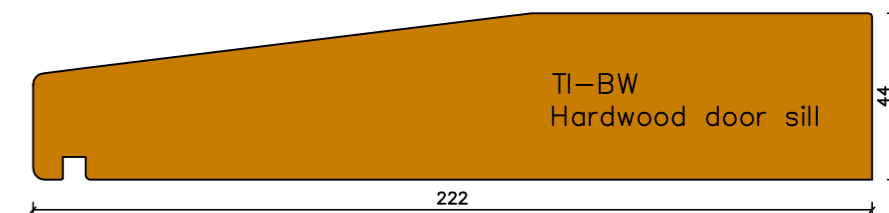
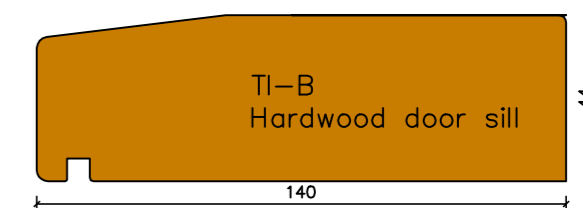
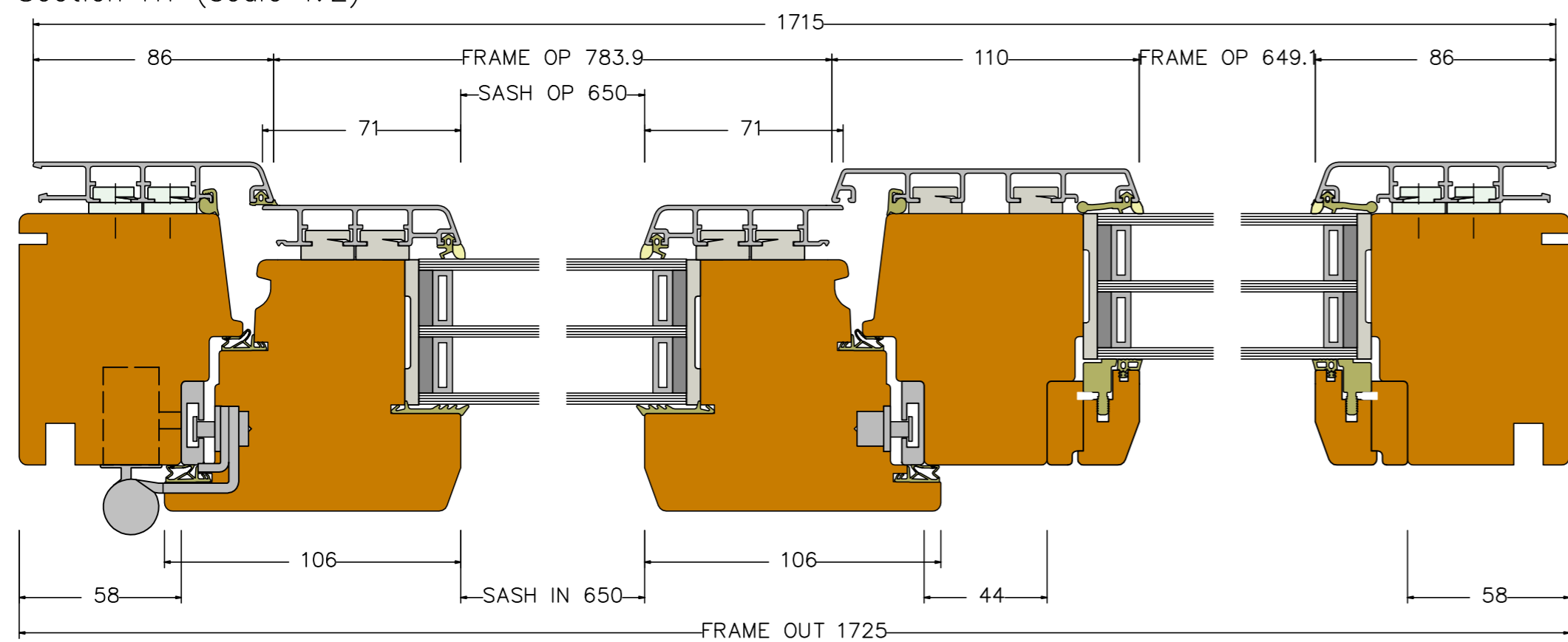
Section V1 (scale 1:2)



Section V2 (scale 1:2)

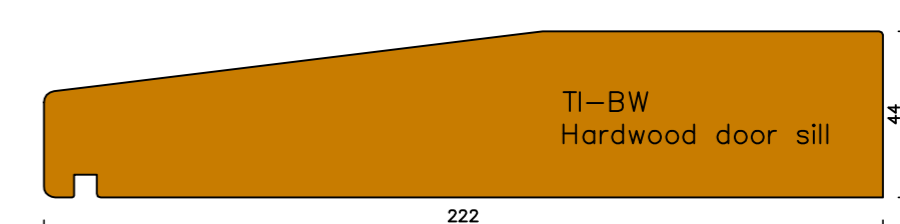
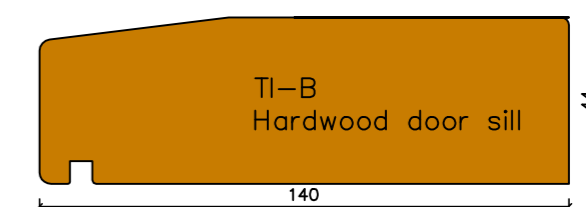
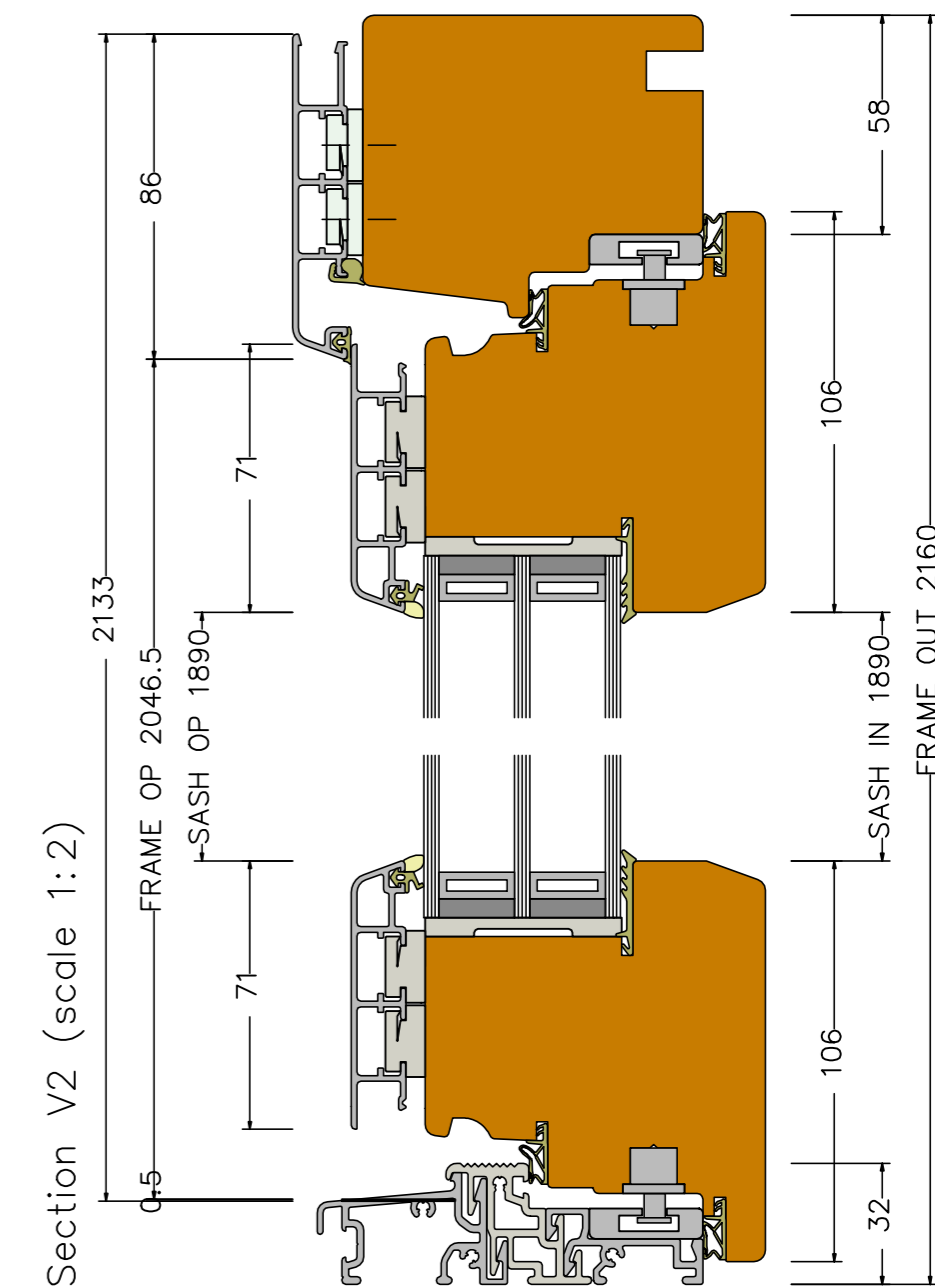
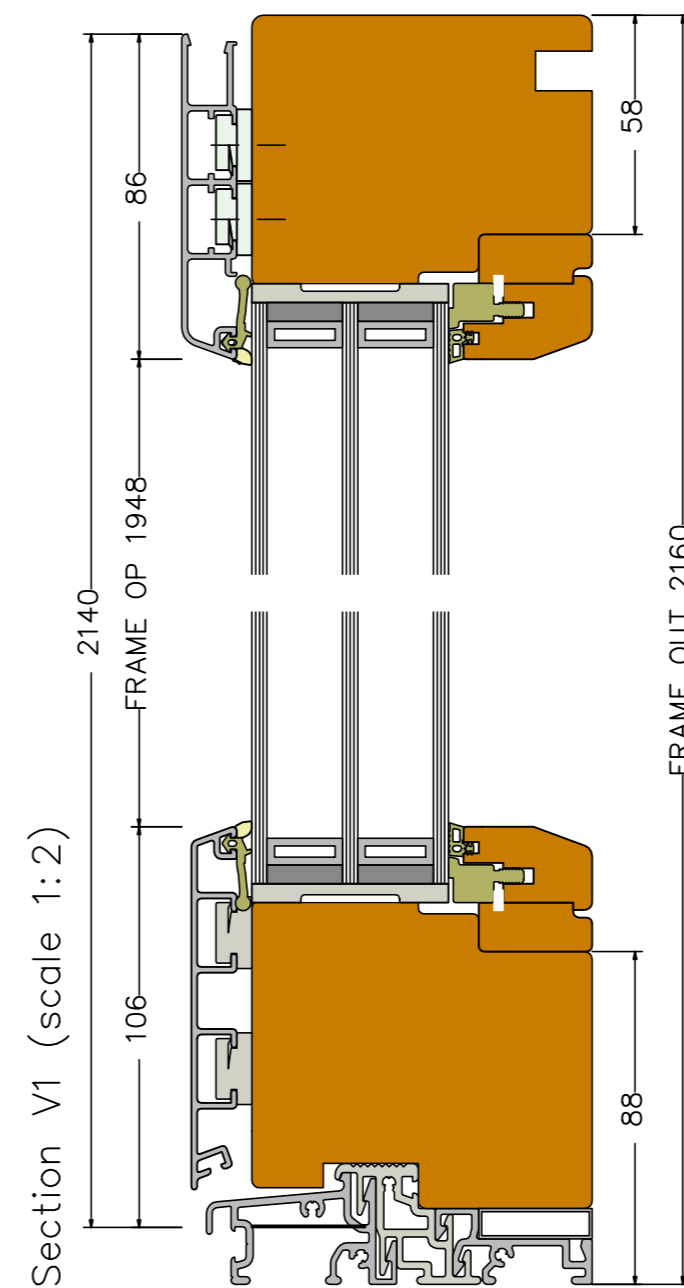
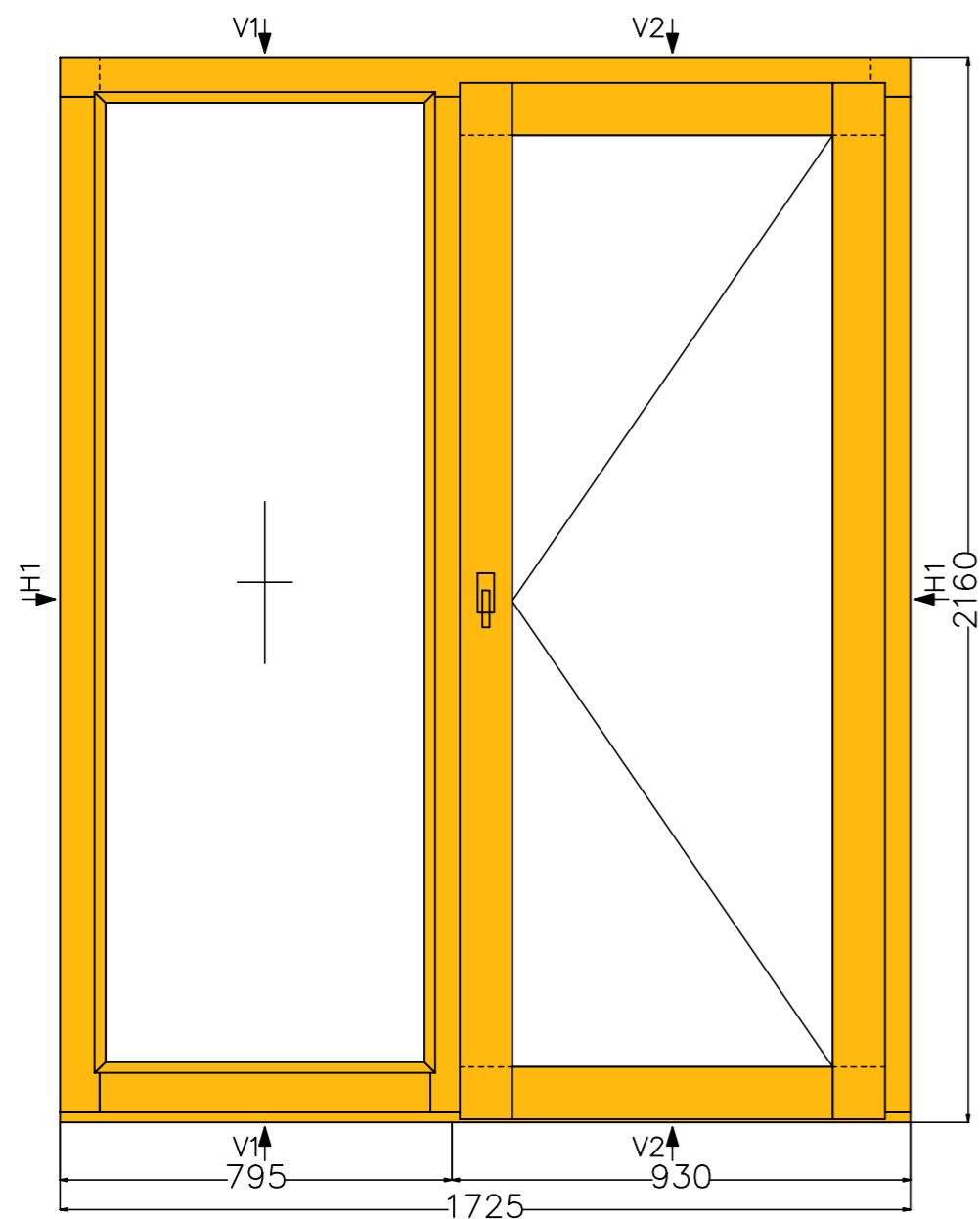


Section H1 (scale 1:2)

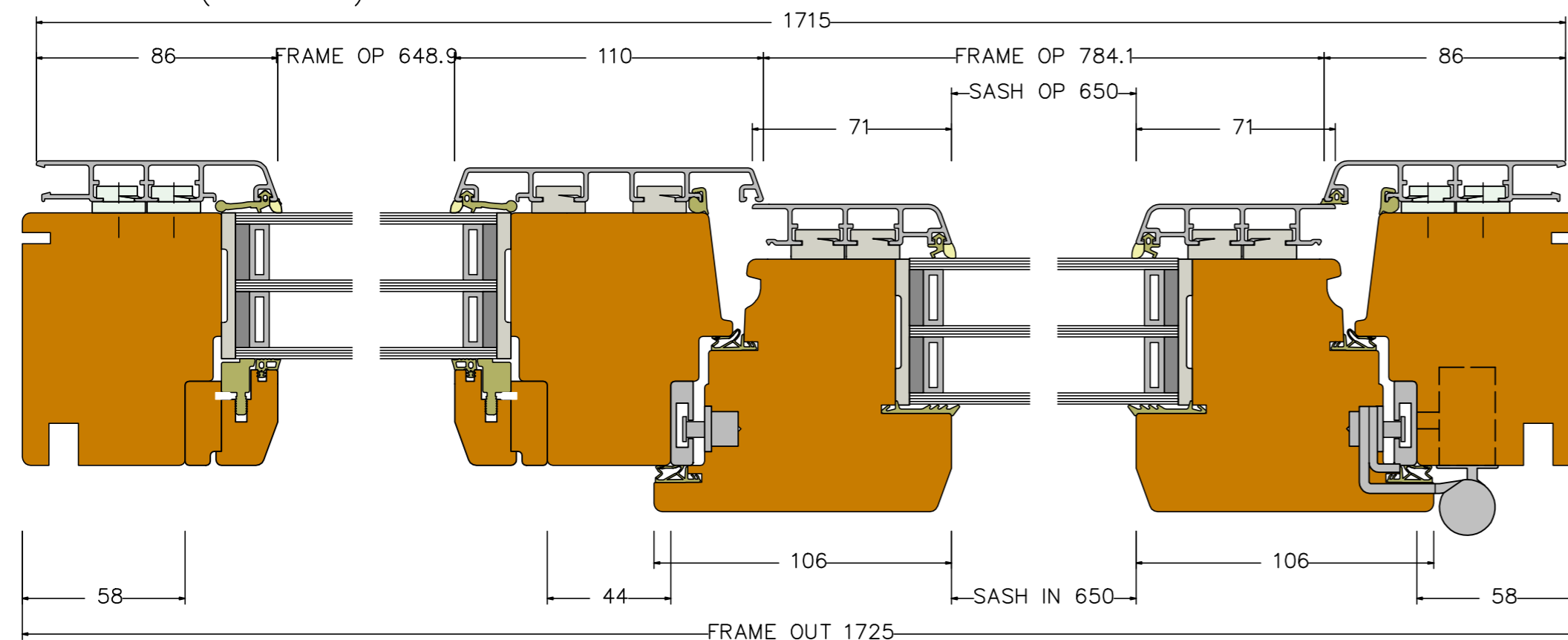


ThermaDura e-MOD Thermally Efficient Window/Door Modules	drawn	Date	Name
		31.05.2020	Rampe
Description: DesignLine e-MOD D-653 DesignLine 90 door LH (inwards op.)			
<b>ThermaDura</b>	These drawings are protected by copyright and only to be used in conjunction with the supply of Thermadura products. This drawing is an instrument of service and is provided for informational use only. © 2019 Thermadura Ltd		

View from inside (scale 1:15)

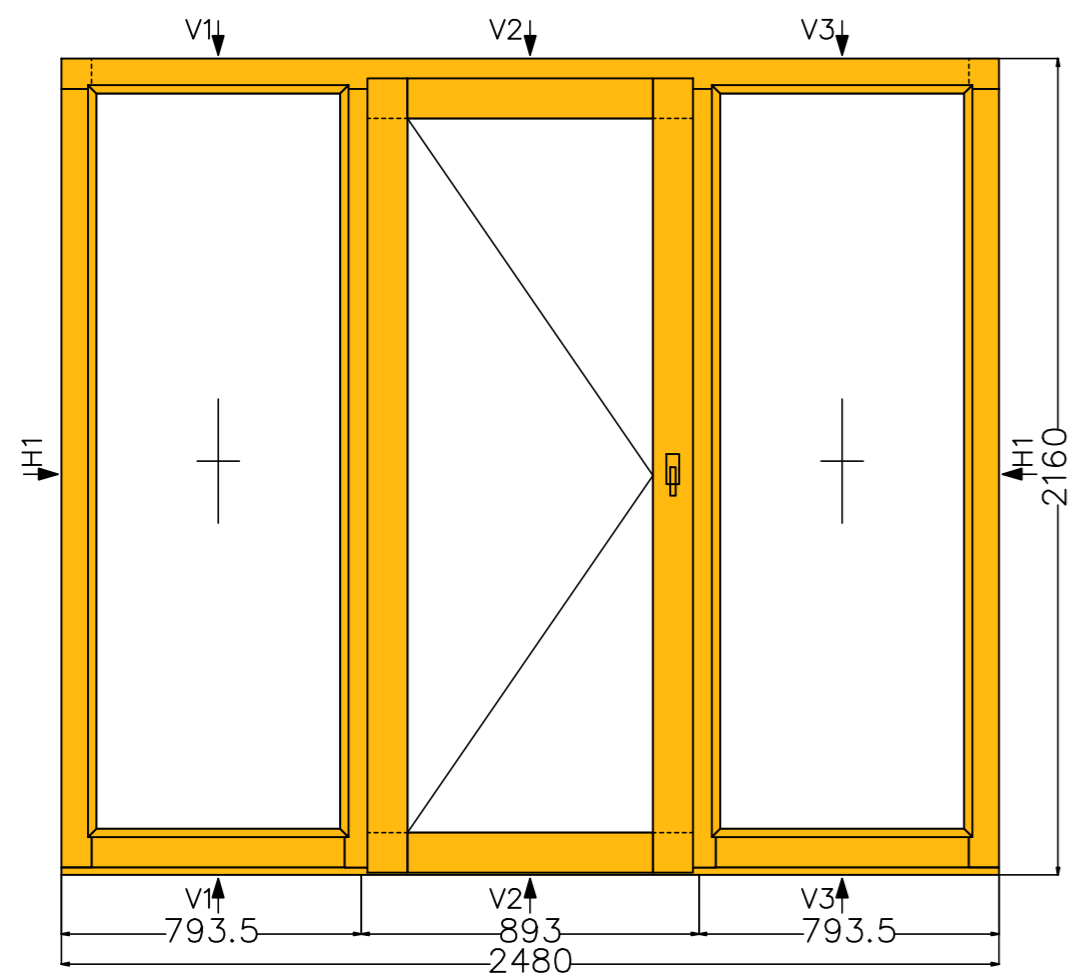


Section H1 (scale 1:2)

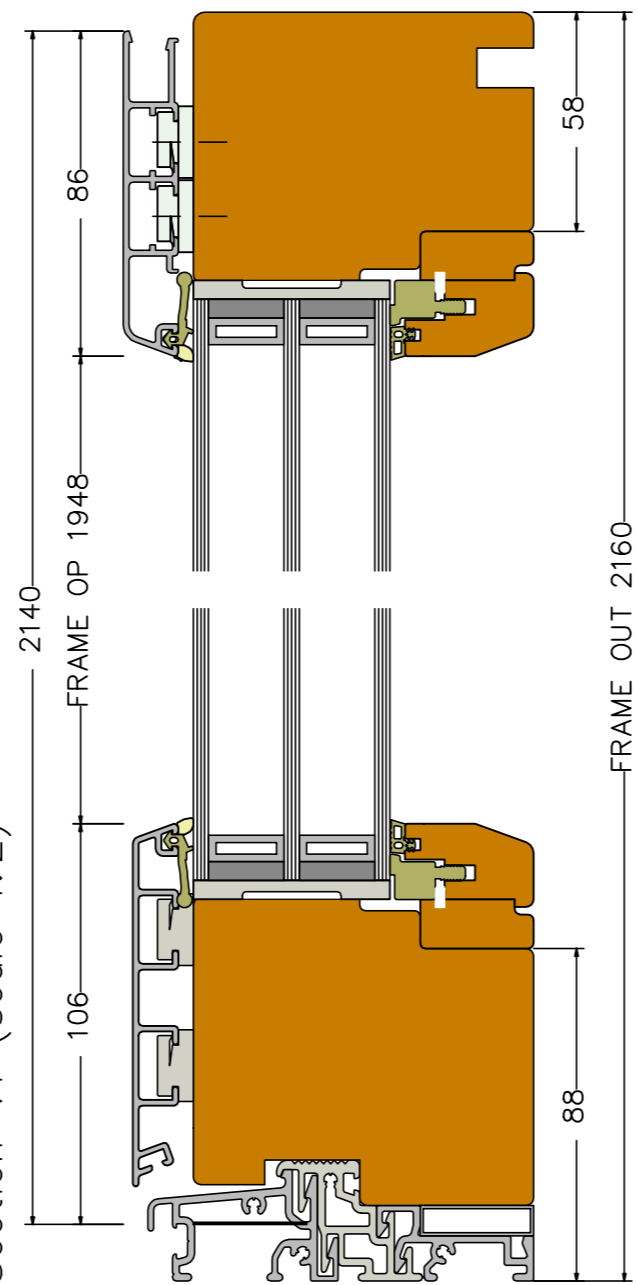


ThermaDura e-MOD Thermally Efficient Window/Door Modules	drawn	Date	Name
		31.05.2020	Rampe
Description: DesignLine e-MOD D-654 DesignLine 90 door RH (inwards op.)			
<b>ThermaDura</b>	These drawings are protected by copyright and only to be used in conjunction with the supply of ThermaDura products. This drawing is an instrument of service and is provided for informational use only. © 2019 ThermaDura Ltd		

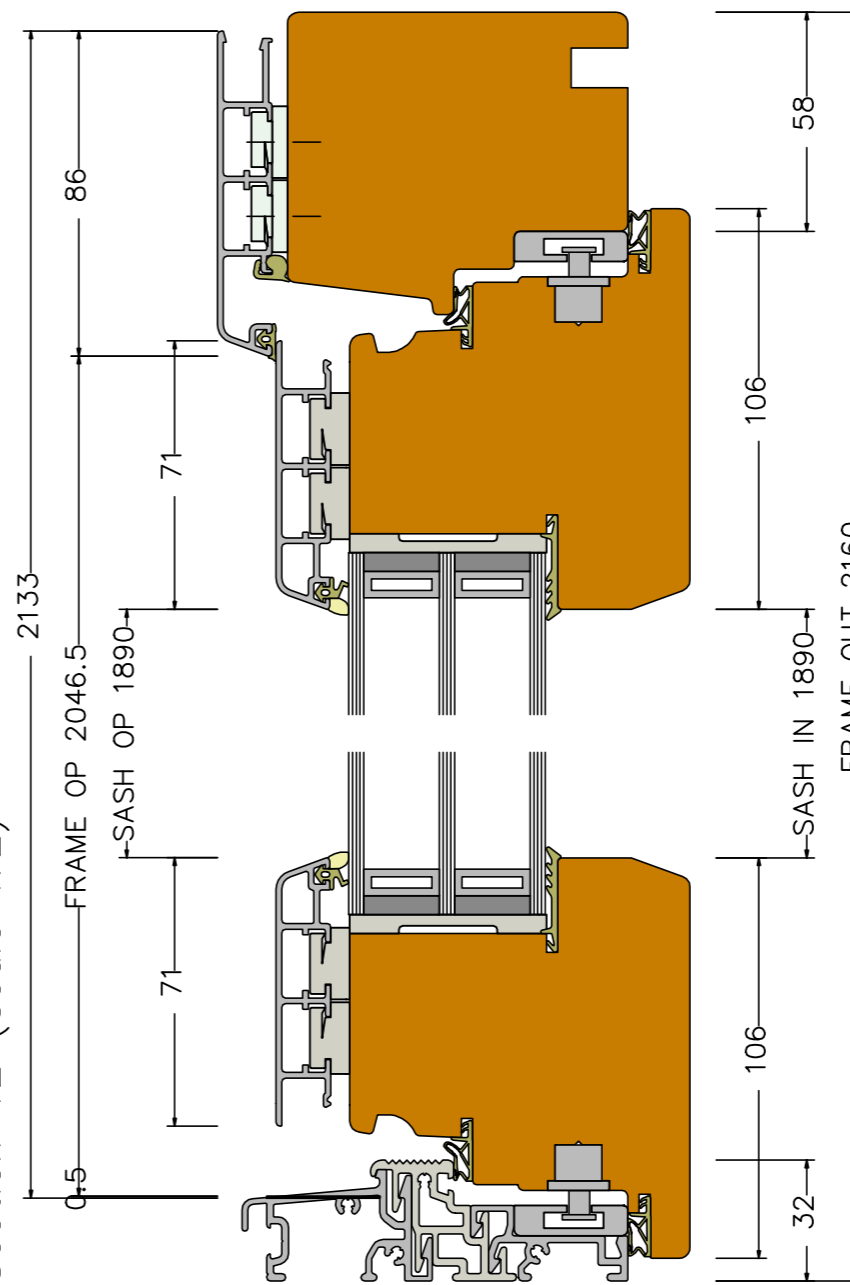
View from inside (scale 1:20)



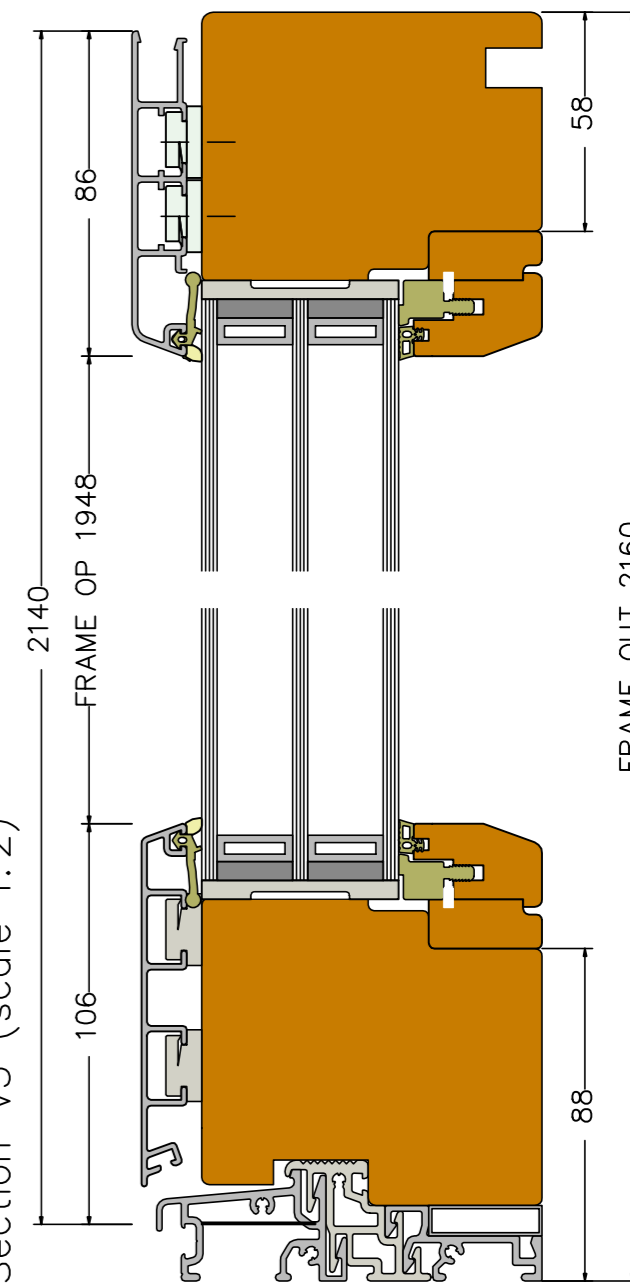
Section V1 (scale 1:2)



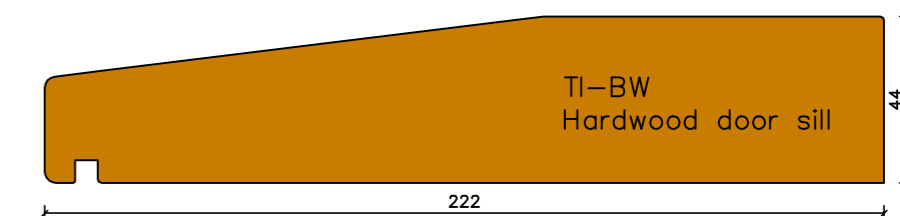
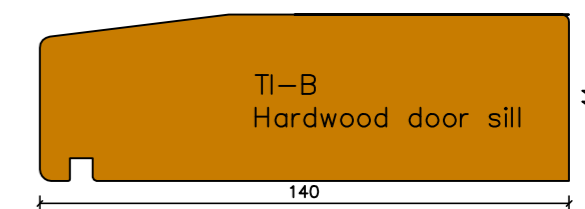
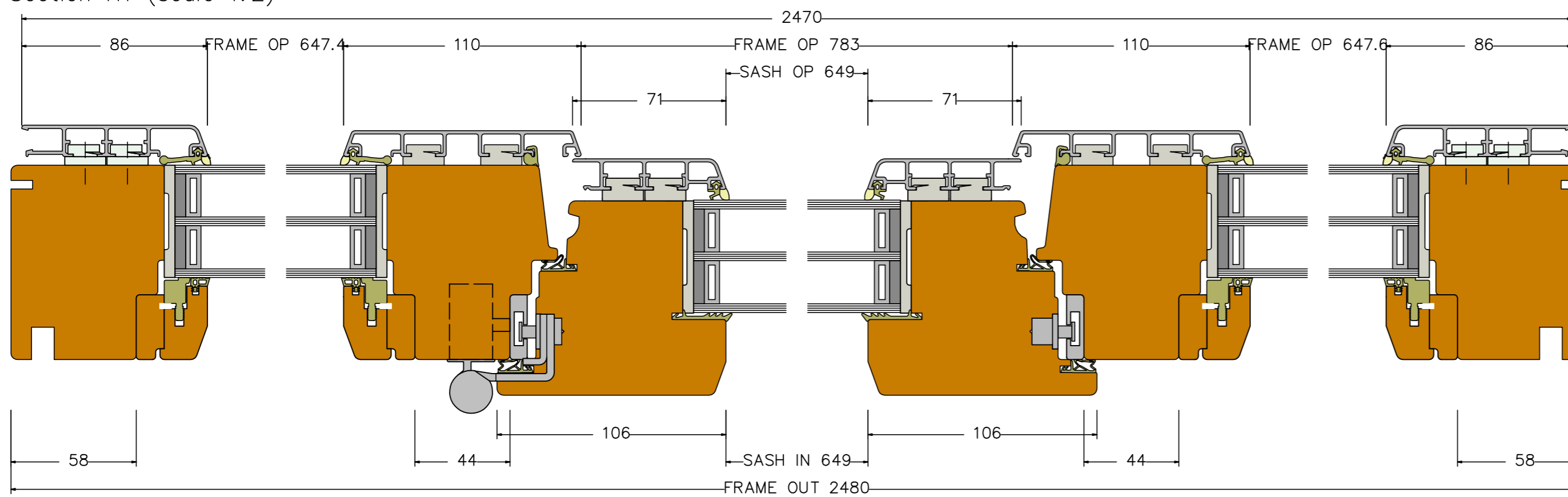
Section V2 (scale 1:2)



Section V3 (scale 1:2)

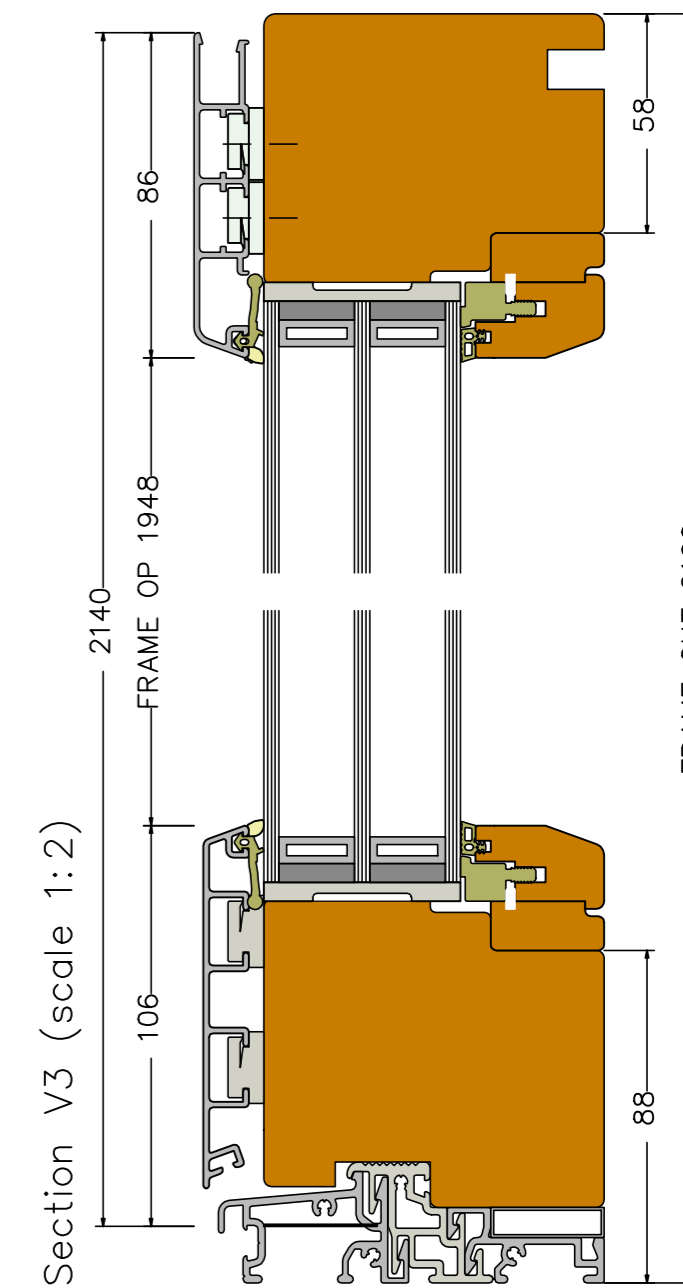
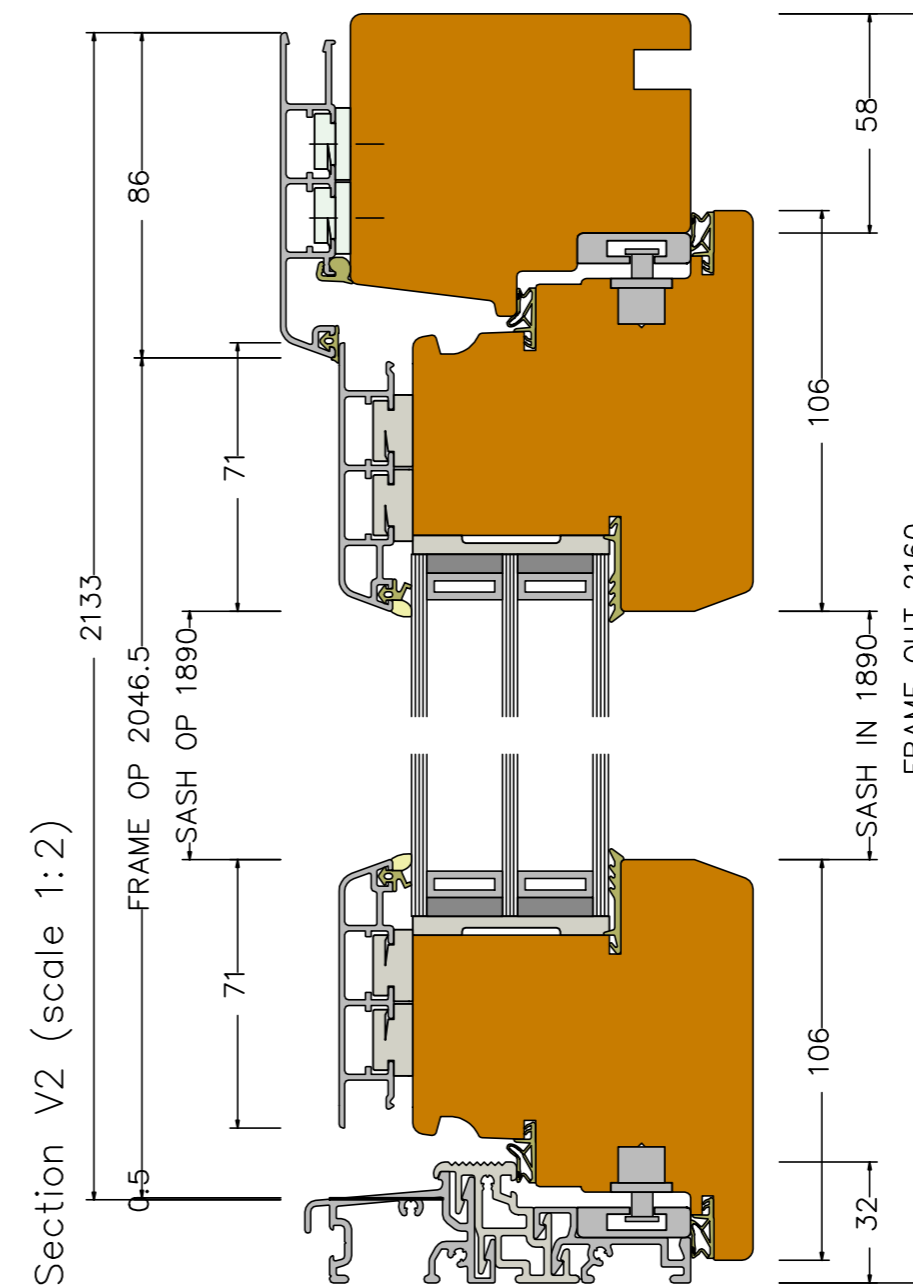
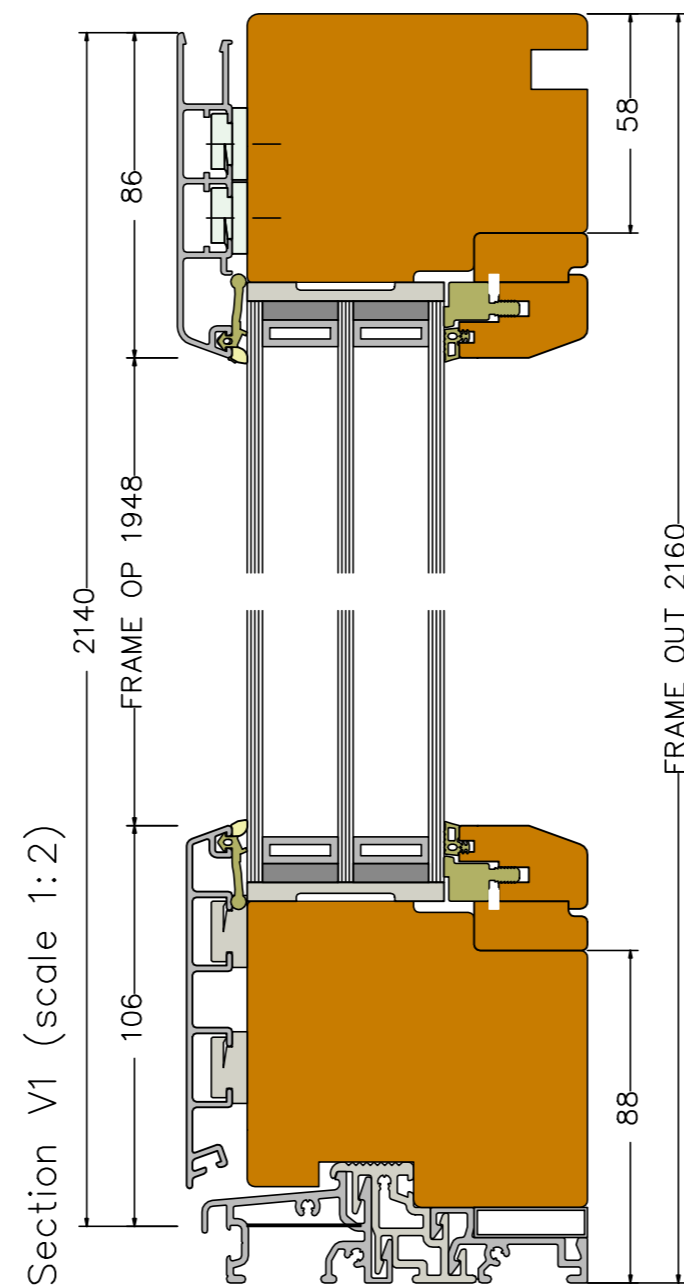
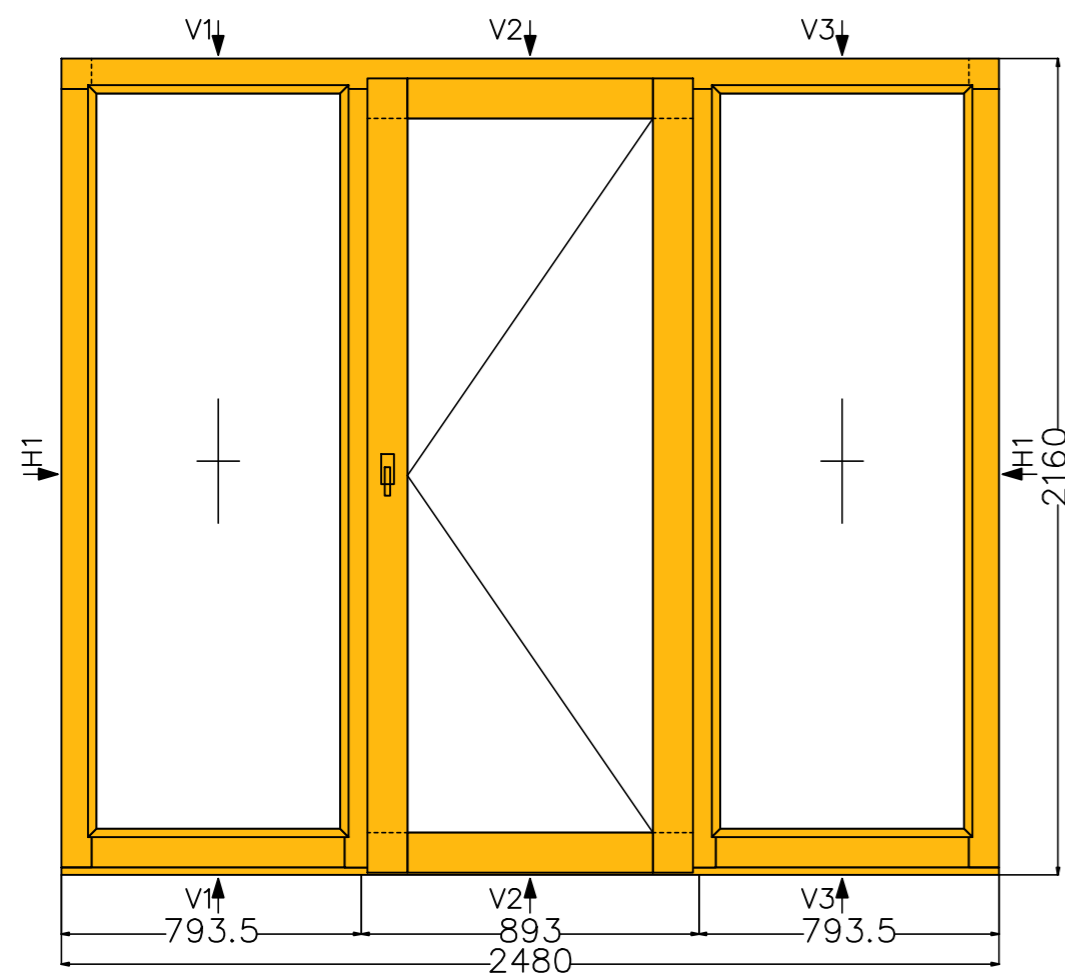


Section H1 (scale 1:2)

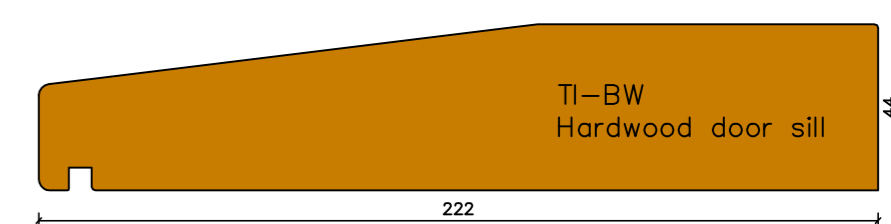
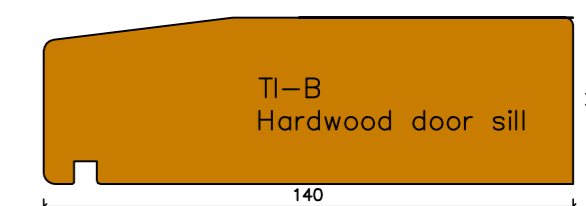
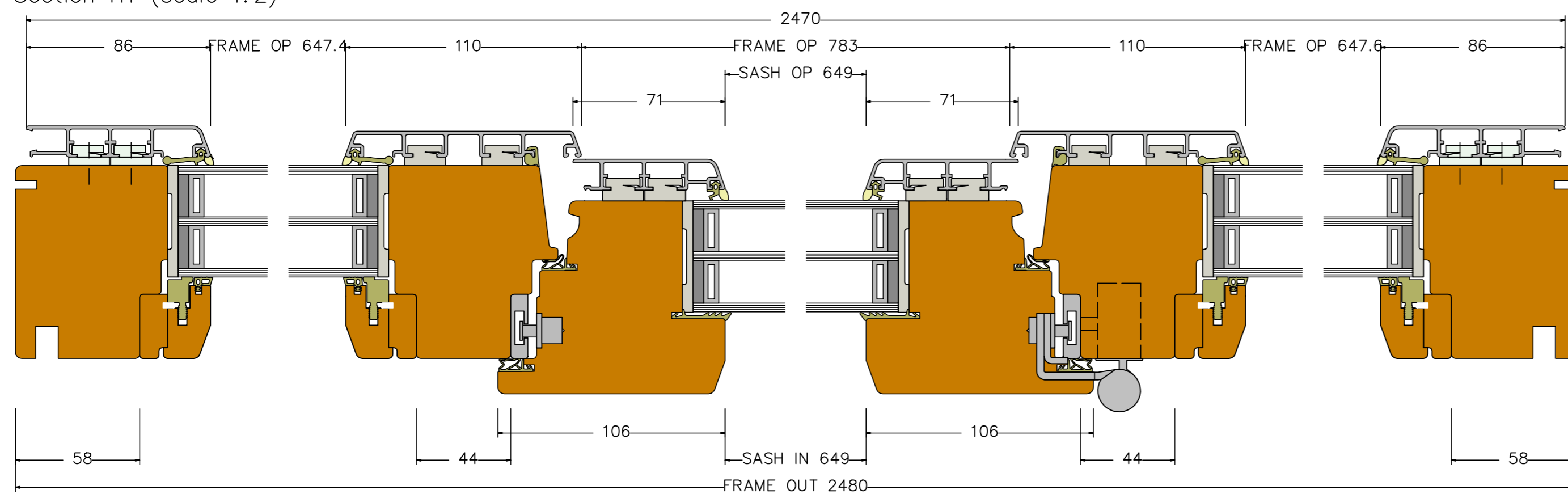


ThermaDura e-MOD Thermally Efficient Window/Door Modules	drawn	Date	Name
		31.05.2020	Rampe
Description: DesignLine e-MOD D-655 DesignLine 90 door LH (inwards op.)			
<b>ThermaDura</b>	These drawings are protected by copyright and only to be used in conjunction with the supply of Thermadura products. This drawing is an instrument of service and is provided for informational use only. © 2019 Thermadura Ltd		

View from inside (scale 1:20)

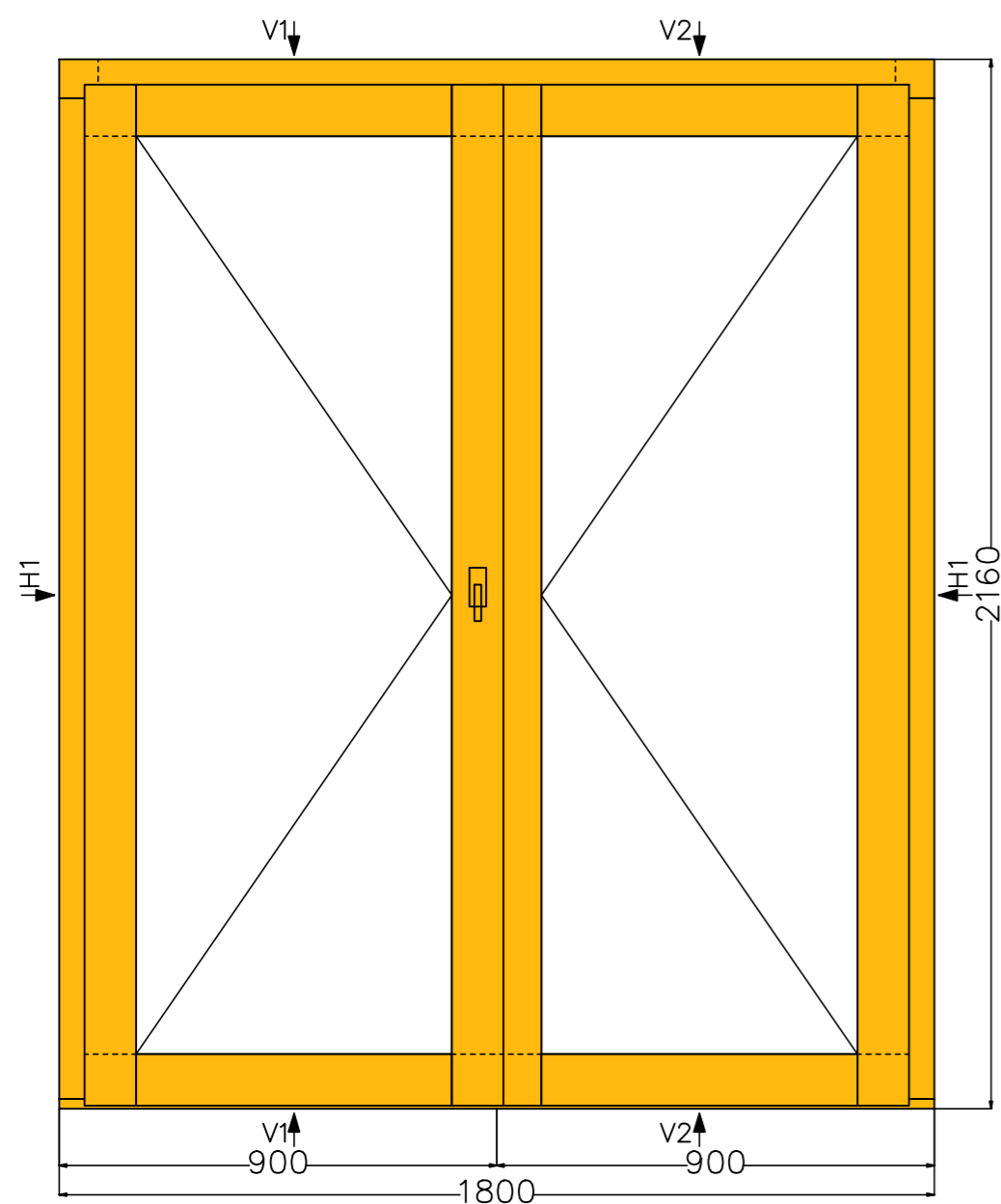


Section H1 (scale 1:2)

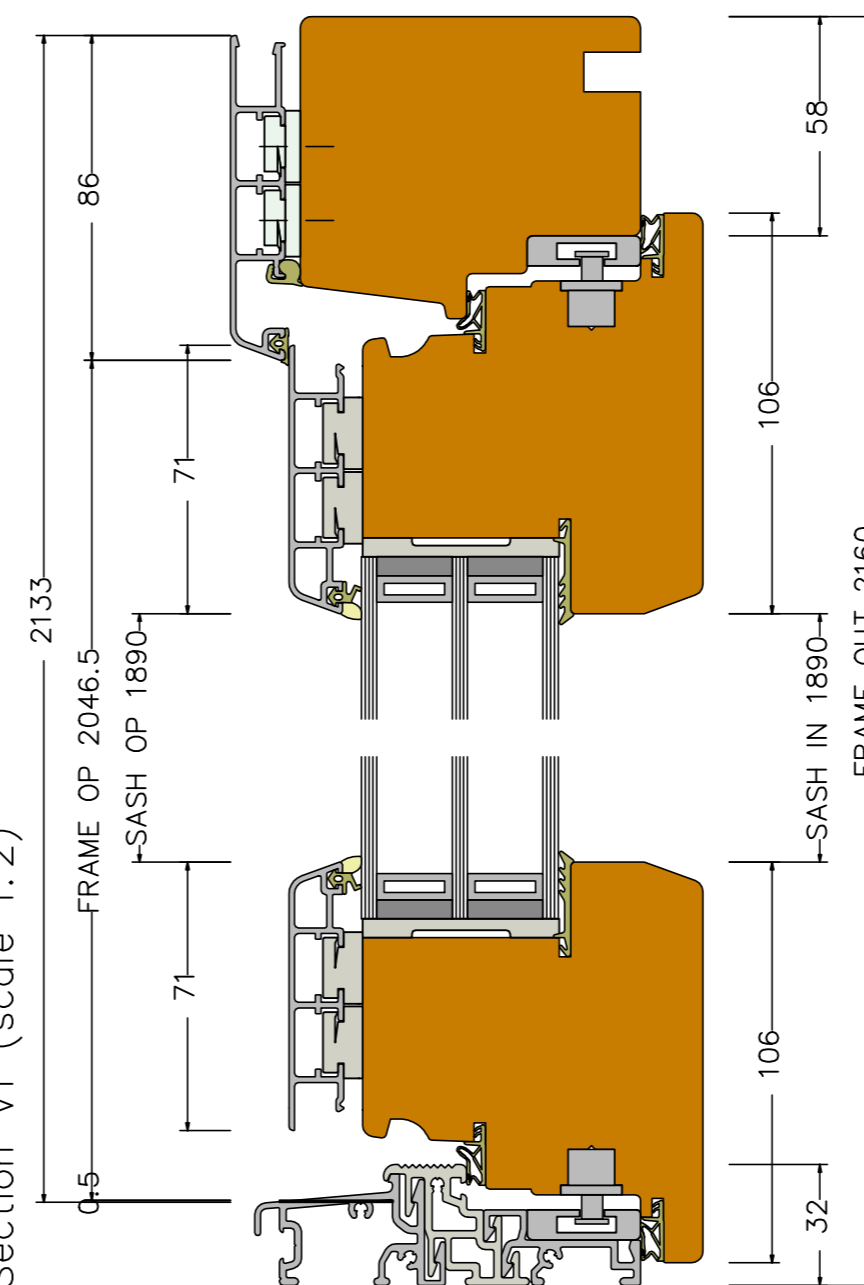


ThermaDura e-MOD Thermally Efficient Window/Door Modules	drawn	Date	Name
		31.05.2020	Rampe
Description: DesignLine e-MOD D-656 DesignLine 90 door RH (inwards op.)			
<b>ThermaDura</b>		These drawings are protected by copyright and only to be used in conjunction with the supply of ThermaDura products. This drawing is an instrument of service and is provided for informational use only. © 2019 ThermaDura Ltd	

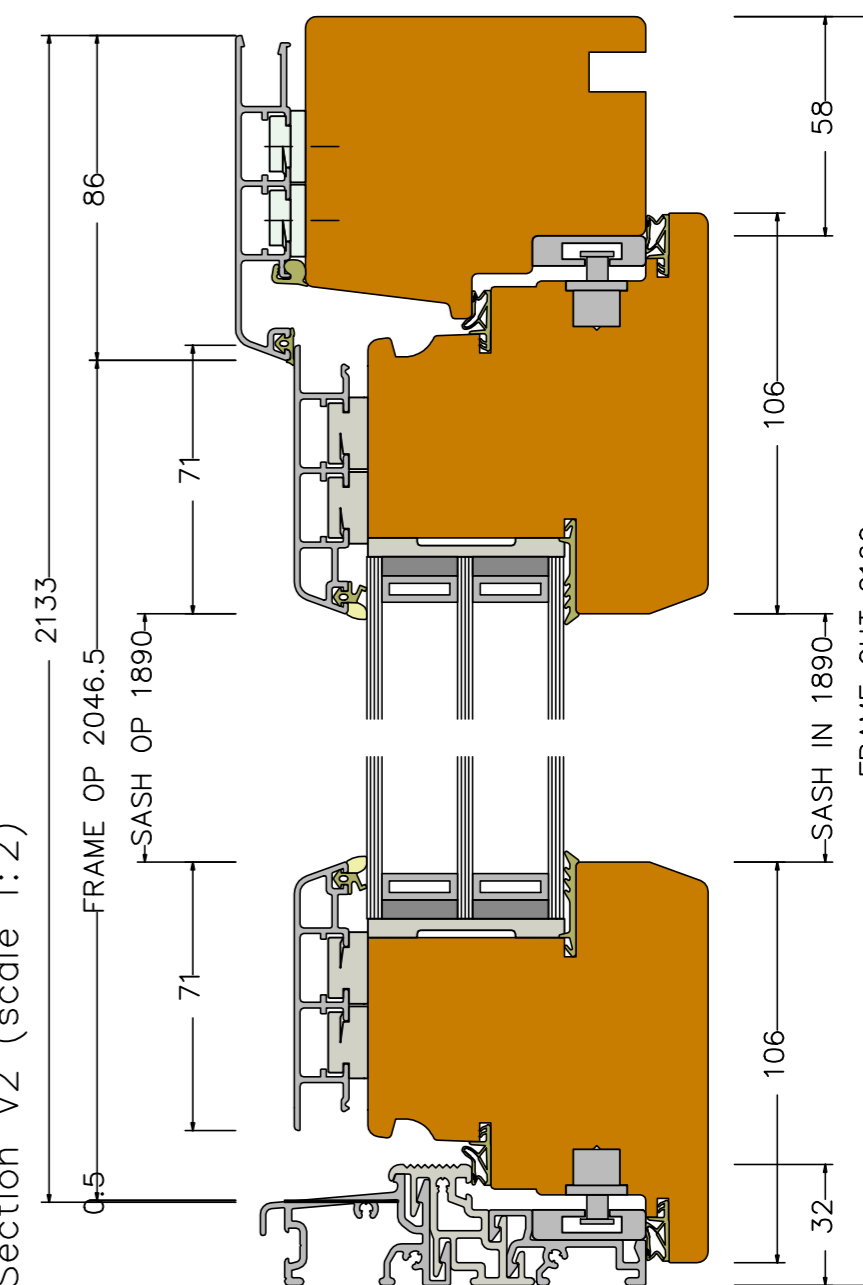
View from inside (scale 1:15)



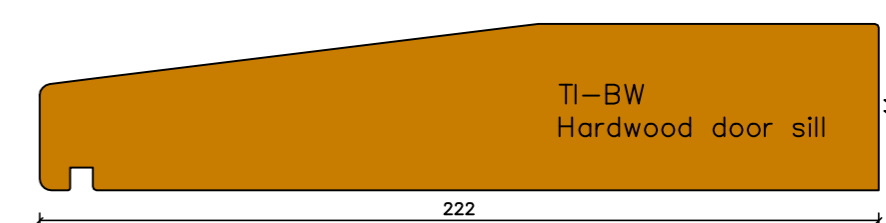
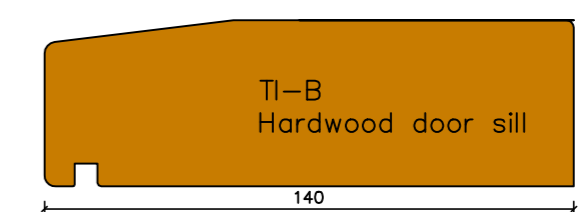
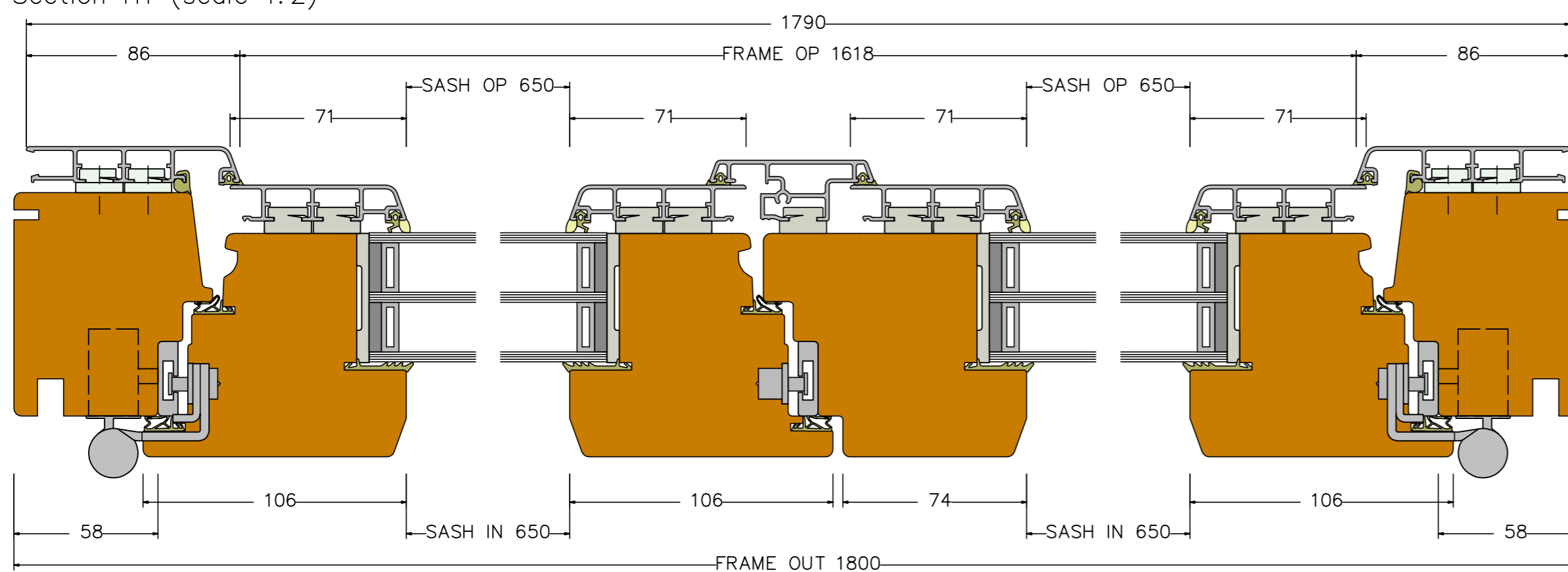
Section V1 (scale 1:2)



Section V2 (scale 1:2)



Section H1 (scale 1:2)

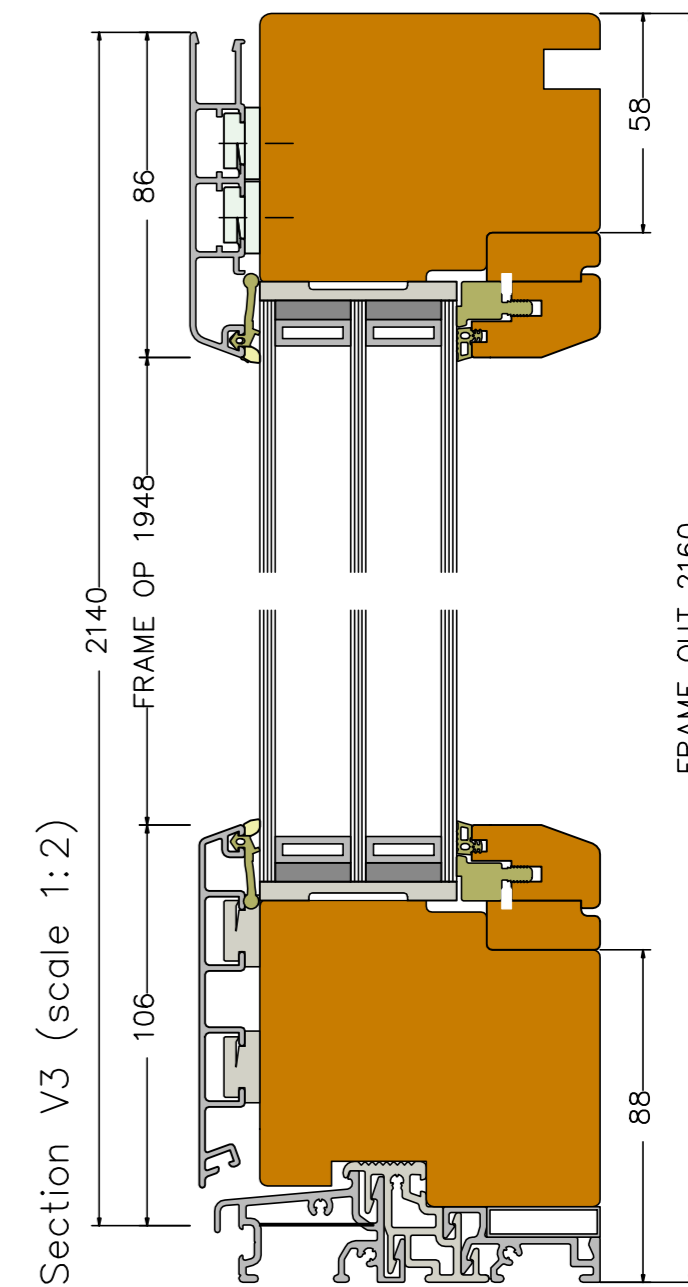
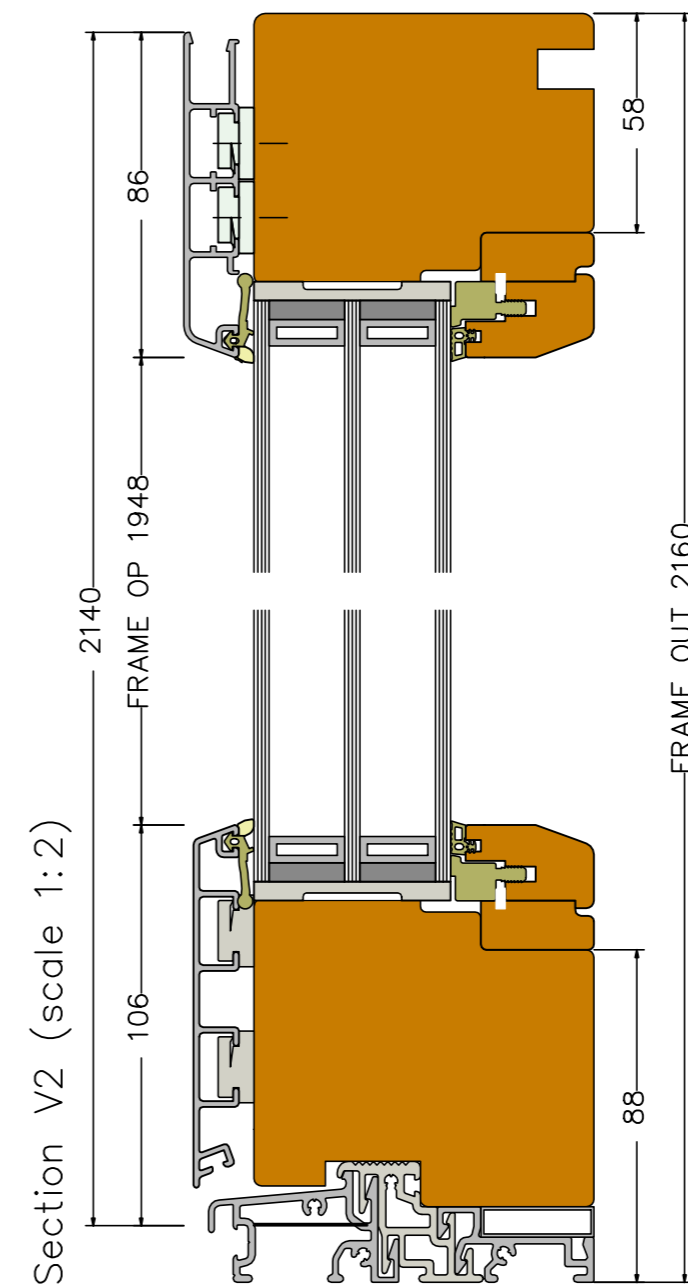
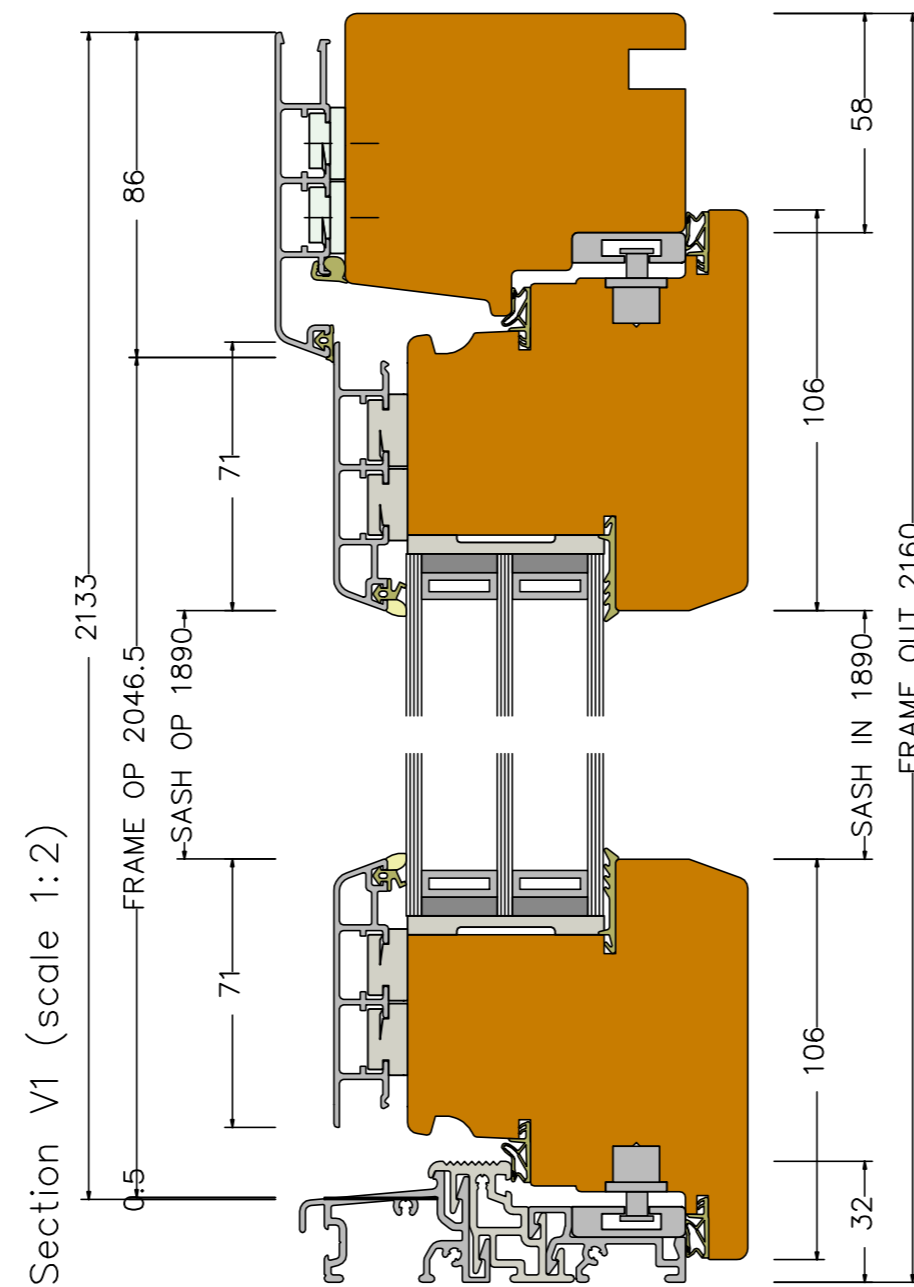
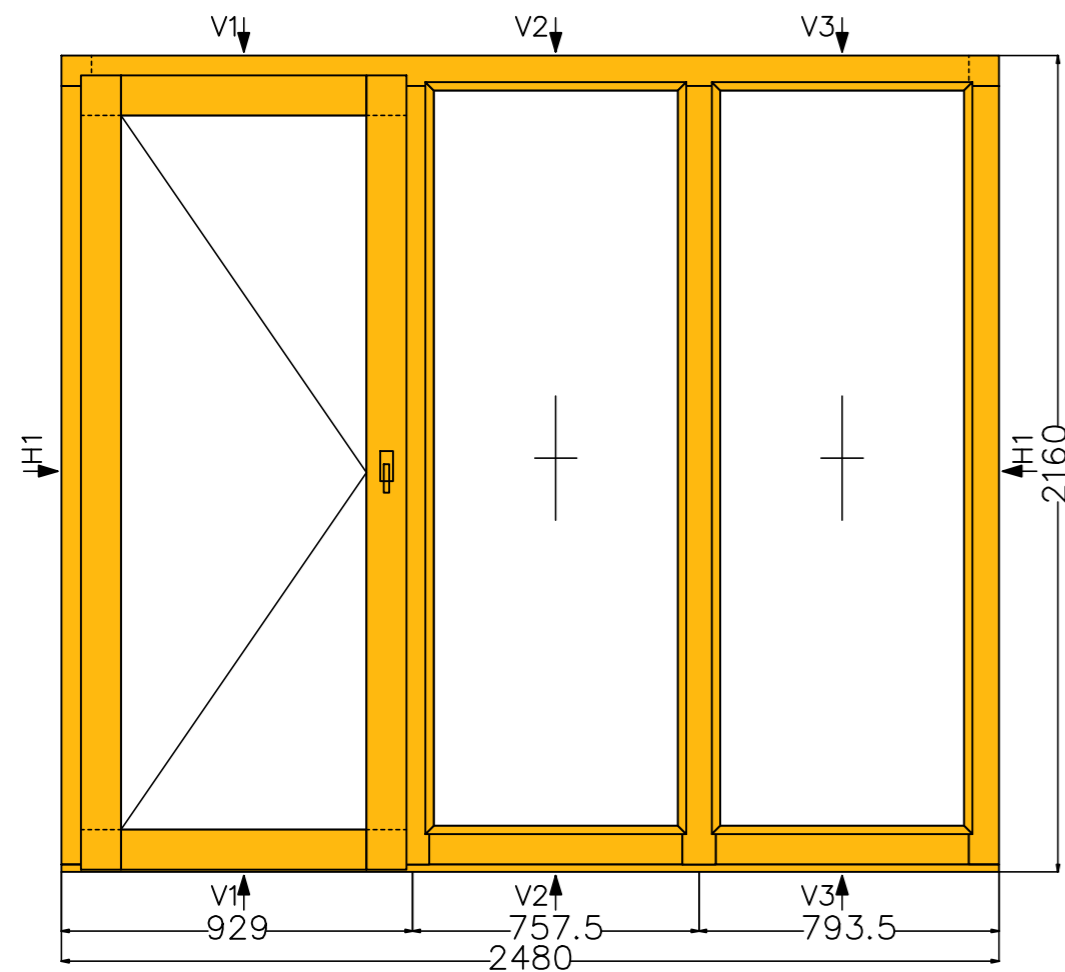


ThermaDura e-MOD Thermally Efficient Window/Door Modules	drawn	Date	Name
		31.05.2020	Rampe

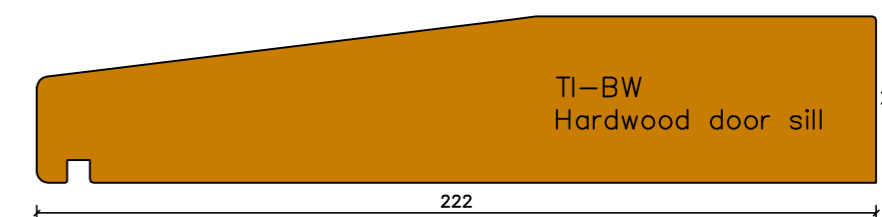
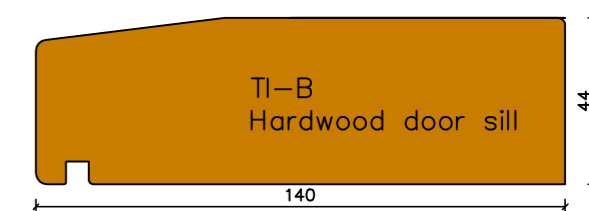
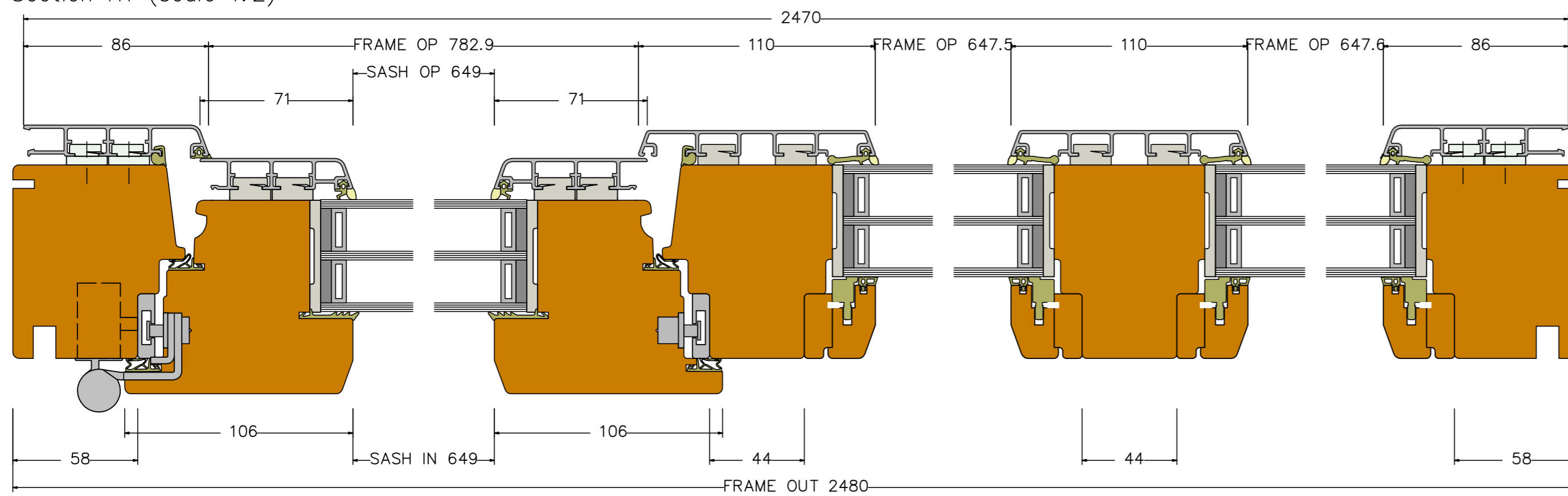
Description:  
DesignLine e-MOD D-657 DesignLine 90 door (inwards op.)

**ThermaDura** These drawings are protected by copyright and only to be used in conjunction with the supply of ThermaDura products. This drawing is an instrument of service and is provided for informational use only. © 2019 ThermaDura Ltd

View from inside (scale 1:20)



Section H1 (scale 1:2)

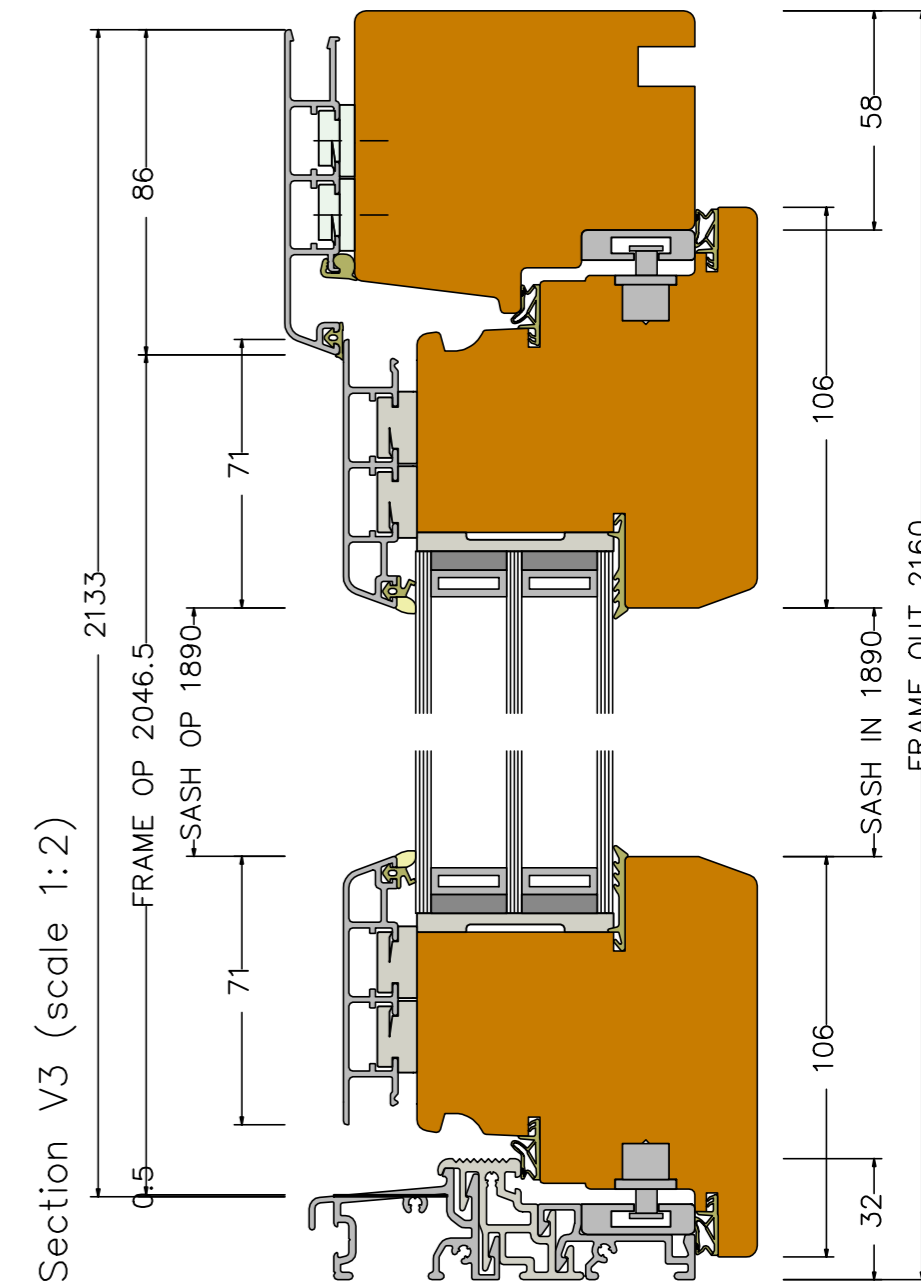
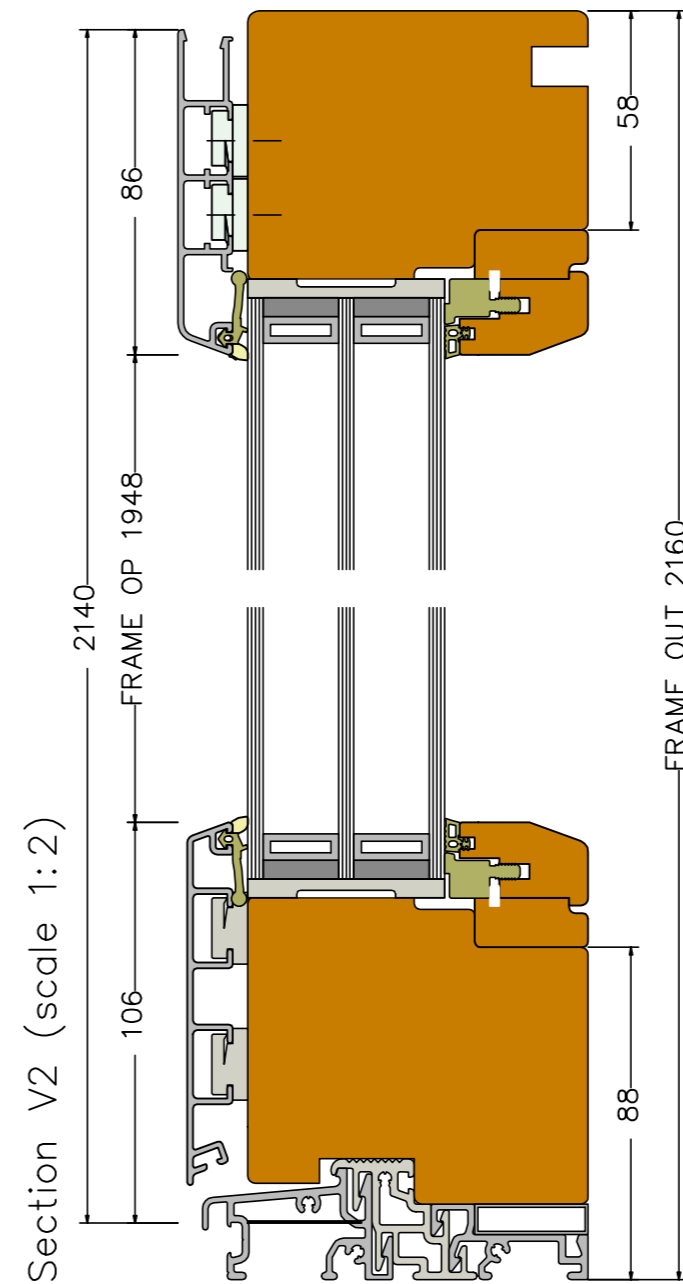
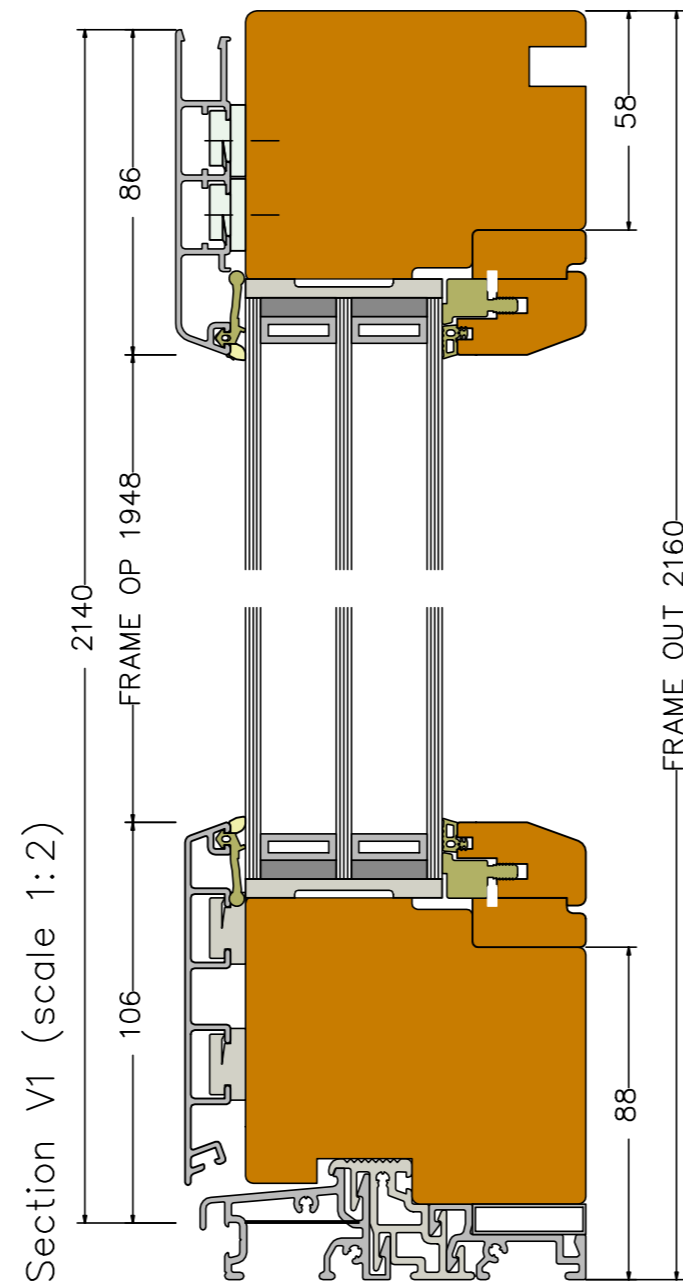
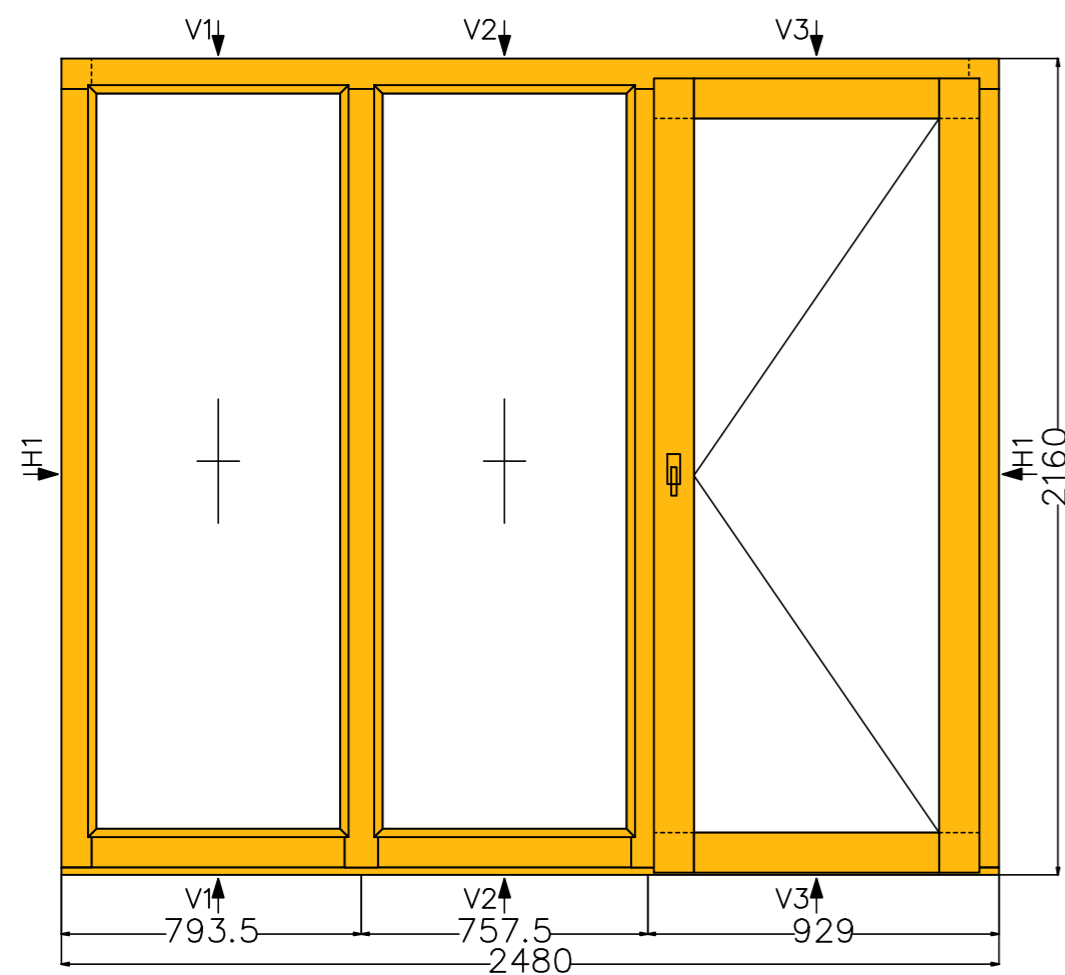


ThermaDura e-MOD Thermally Efficient Window/Door Modules	drawn	Date	Name
		31.05.2020	Rampe

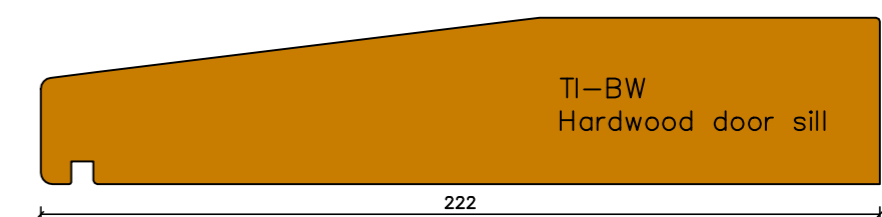
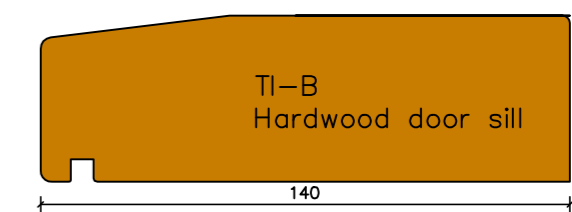
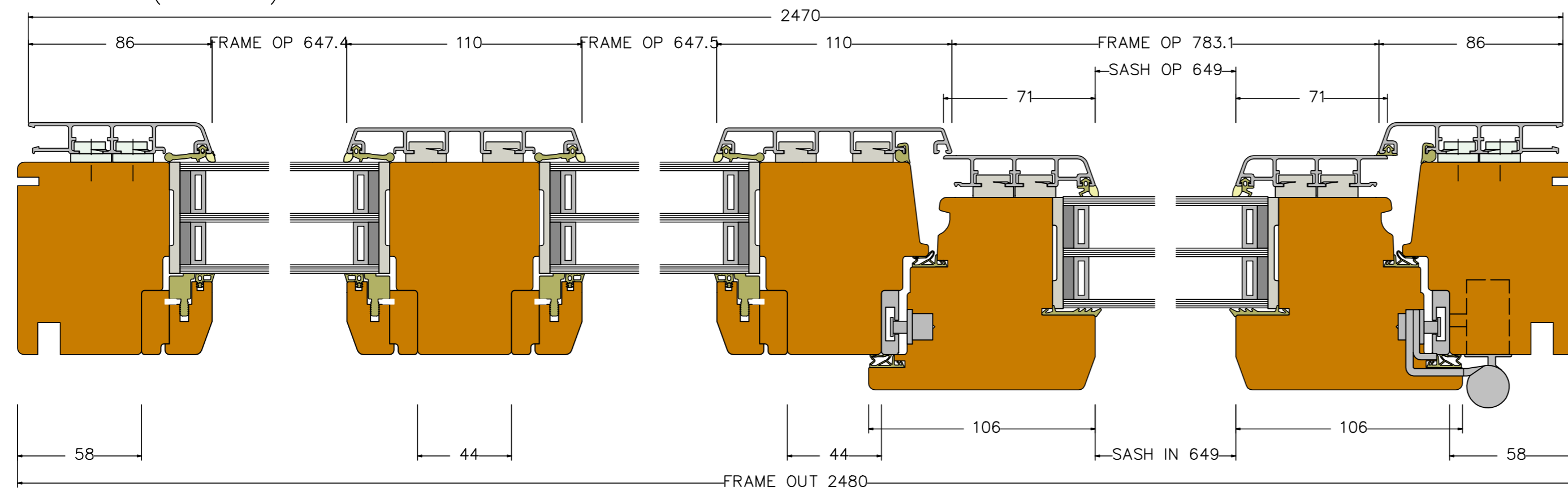
Description:  
DesignLine e-MOD D-658 DesignLine 90 door LH (inwards op.)

**ThermaDura** These drawings are protected by copyright and only to be used in conjunction with the supply of ThermaDura products. This drawing is an instrument of service and is provided for informational use only. © 2019 ThermaDura Ltd

View from inside (scale 1:20)



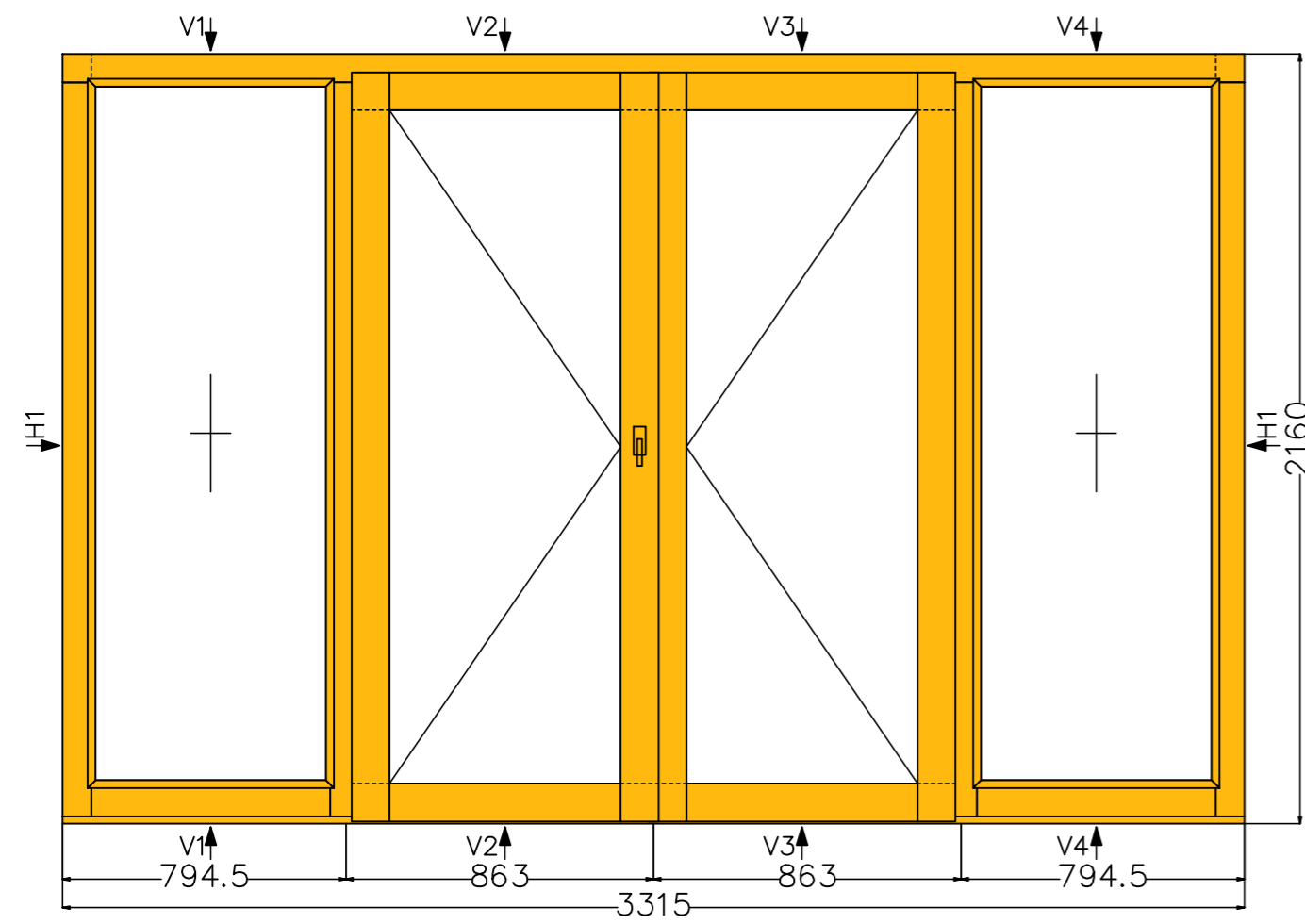
Section H1 (scale 1:2)



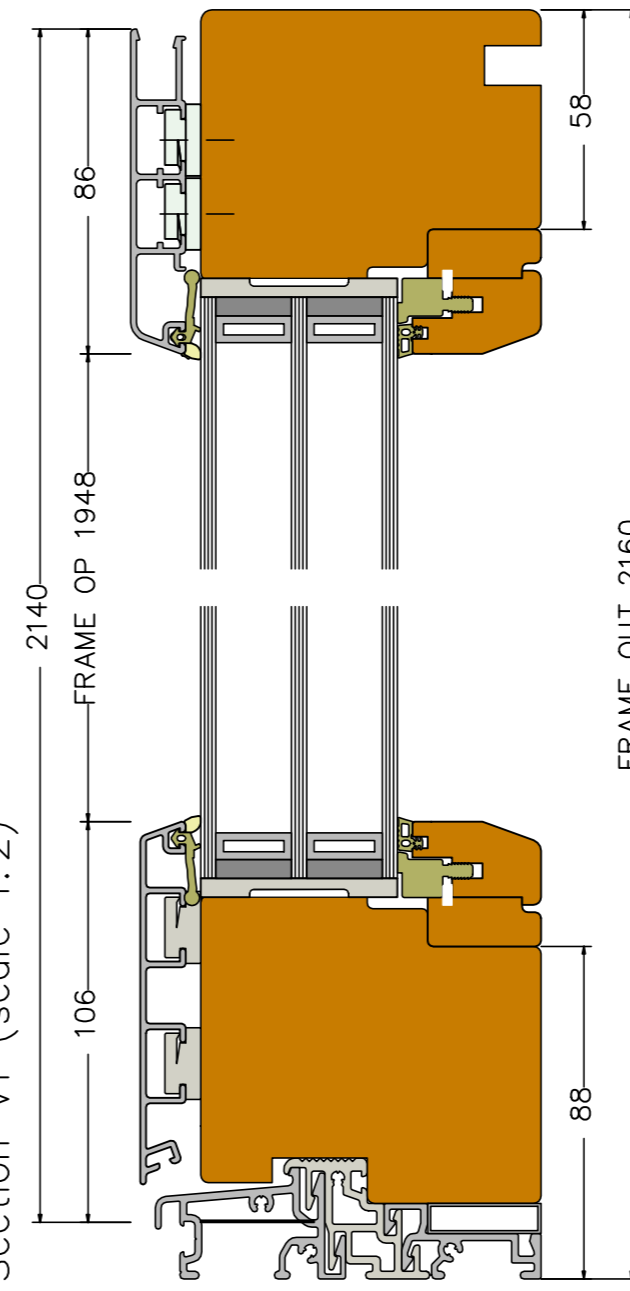
ThermaDura e-MOD Thermally Efficient Window/Door Modules	drawn	Date	Name
		31.05.2020	Rampe
Description: DesignLine e-MOD D-659 DesignLine 90 door RH (inwards op.)			
		These drawings are protected by copyright and only to be used in conjunction with the supply of ThermaDura products. This drawing is an instrument of service and is provided for informational use only. © 2019 ThermaDura Ltd	



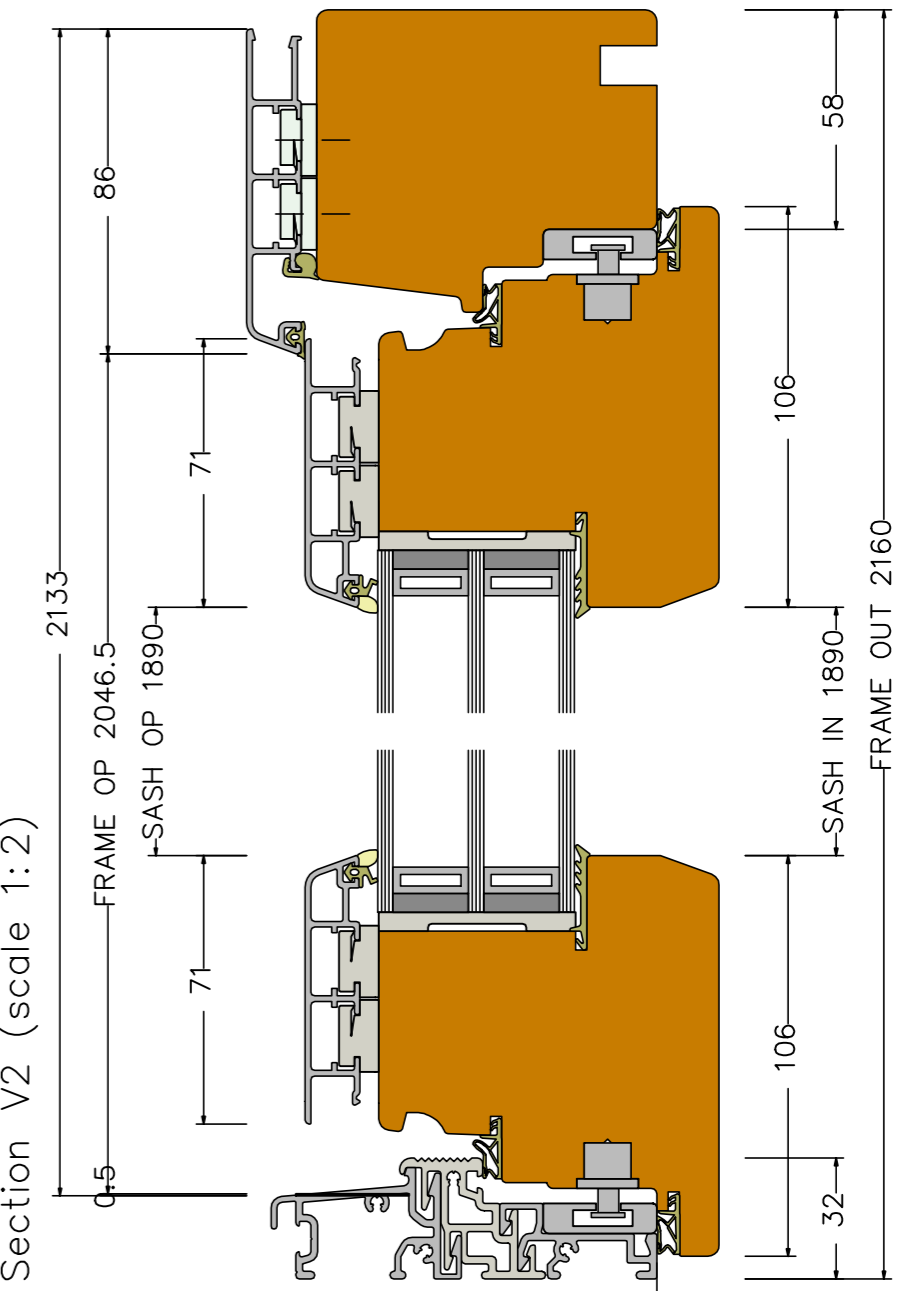
View from inside (scale 1:20)



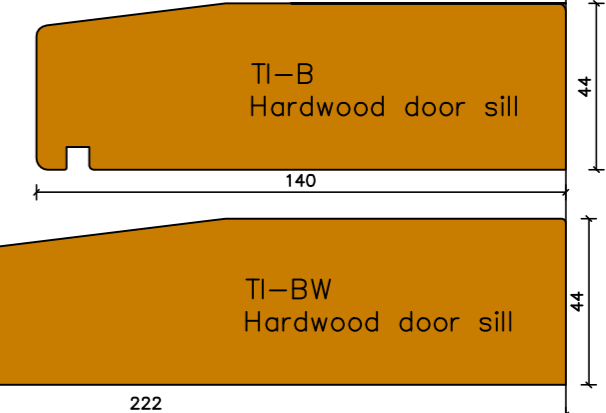
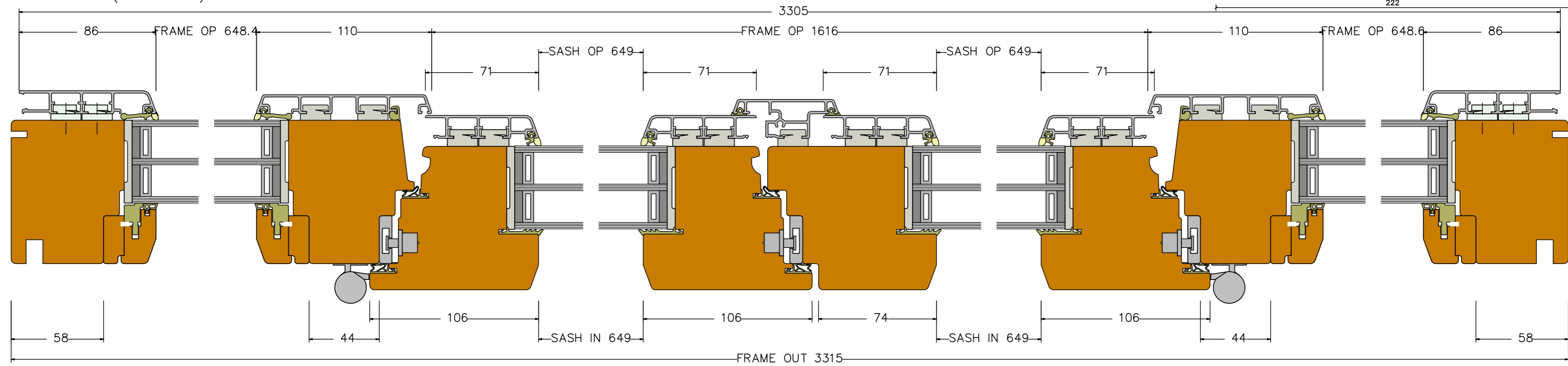
Section V1 (scale 1:2)



Section V2 (scale 1:2)



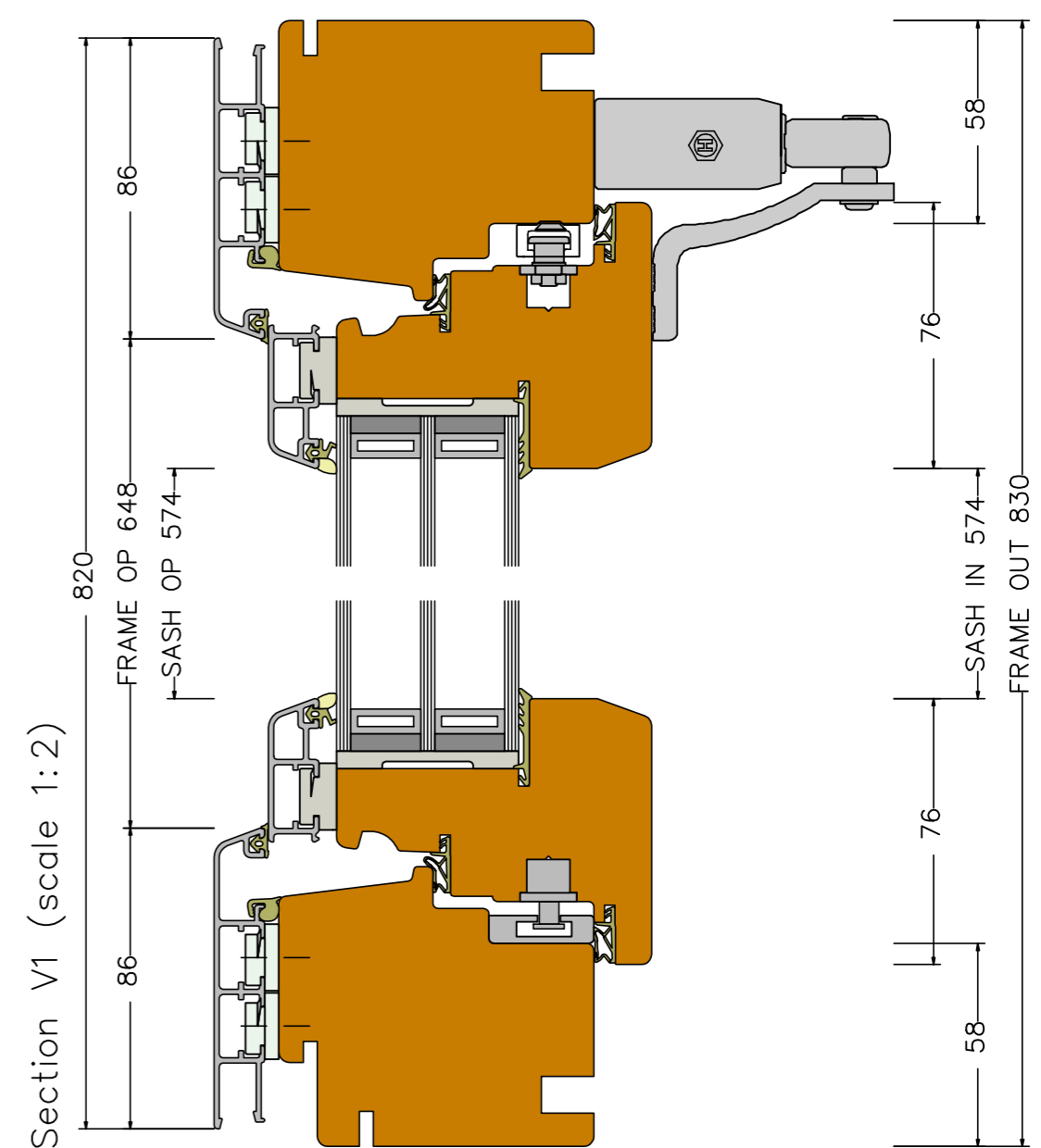
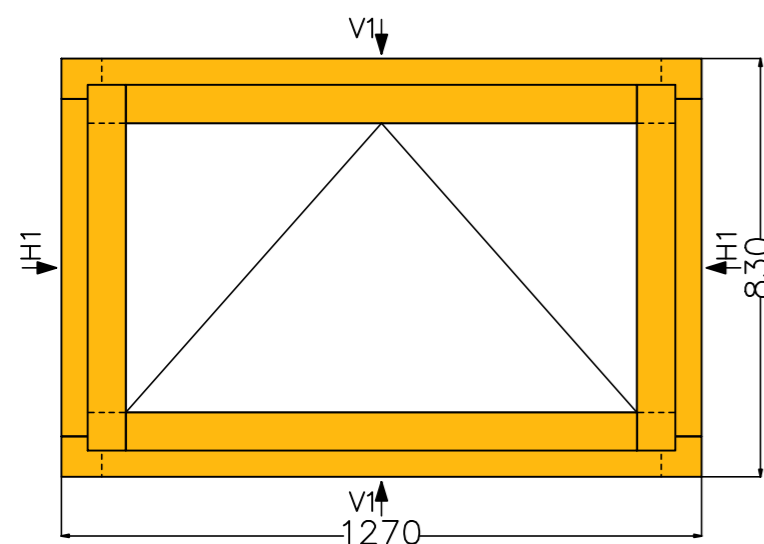
Section H1 (scale 1:2)



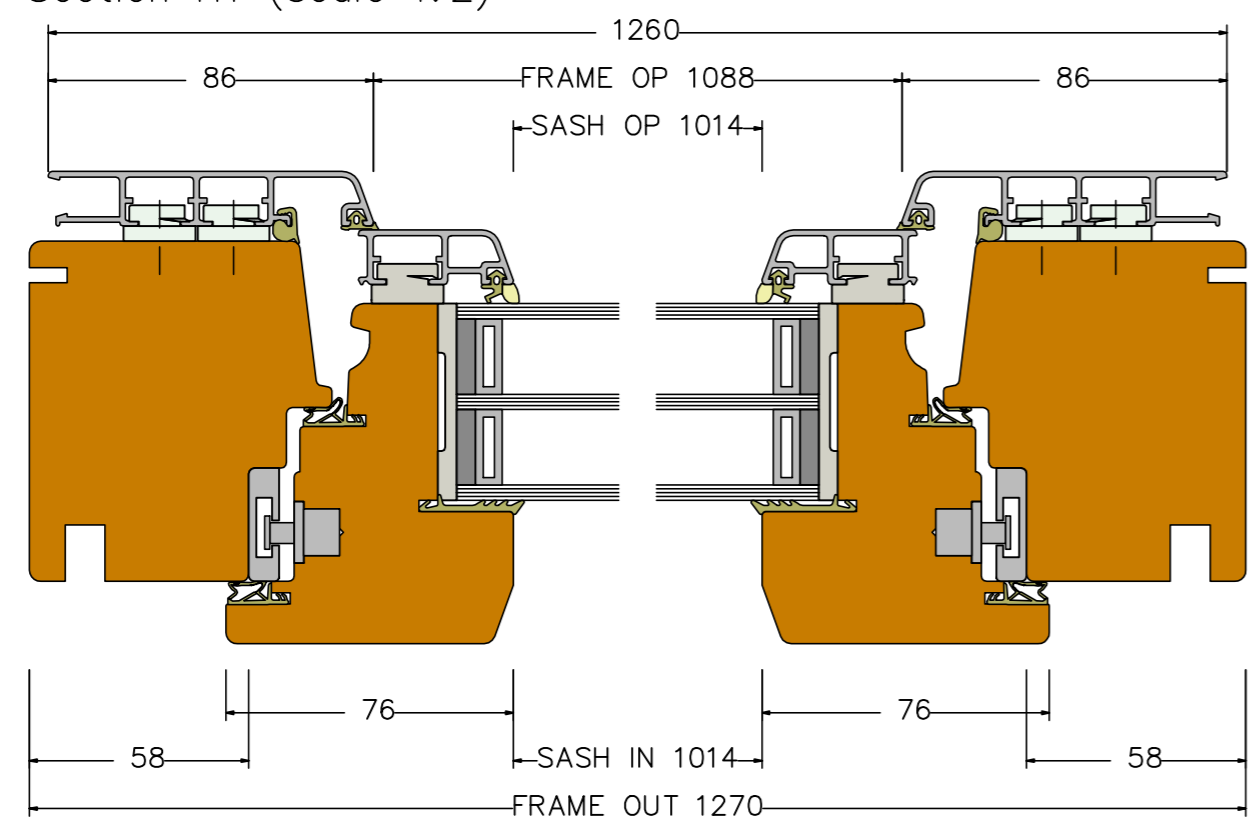
ThermaDura e-MOD Thermally Efficient Window/Door Modules	drawn	Date	Name
		31.05.2020	Rampe
Description: DesignLine e-MOD D-660 DesignLine 90 door (inwards op.)			
<b>ThermaDura</b>	These drawings are protected by copyright and only to be used in conjunction with the supply of ThermaDura products. This drawing is an instrument of service and is provided for informational use only. © 2019 ThermaDura Ltd		



View from inside (scale 1:15)

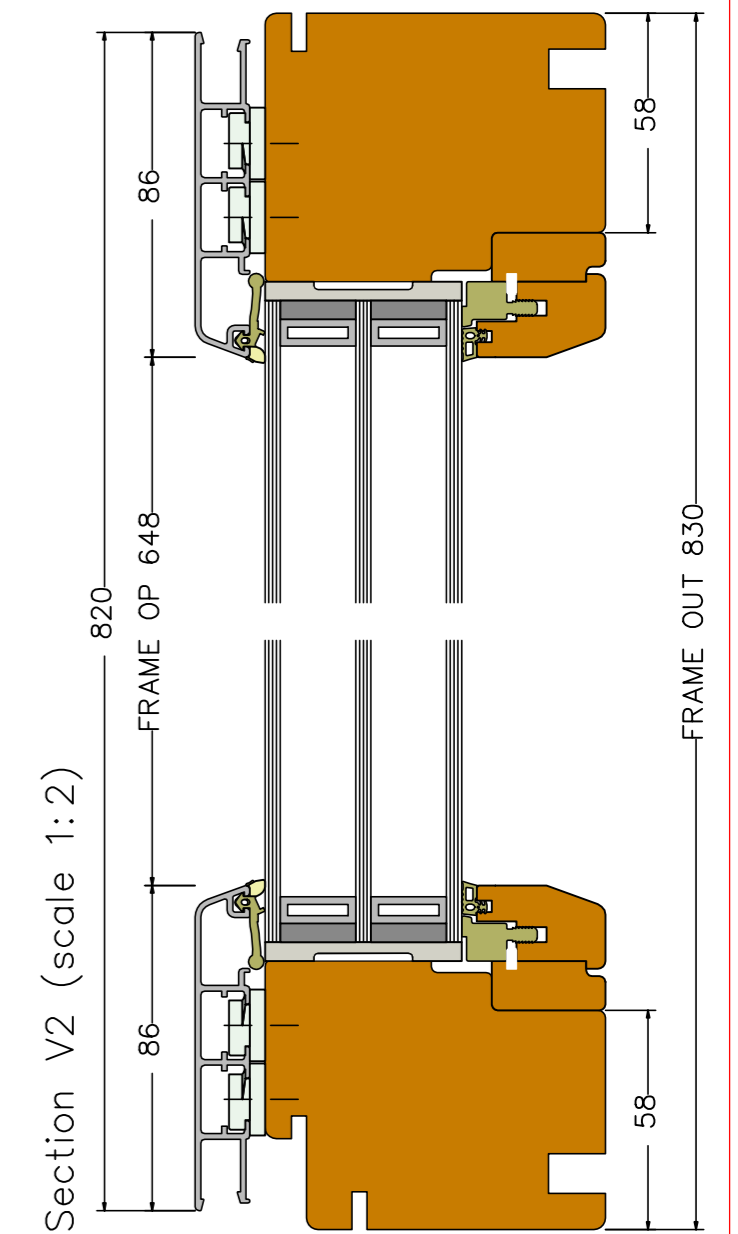
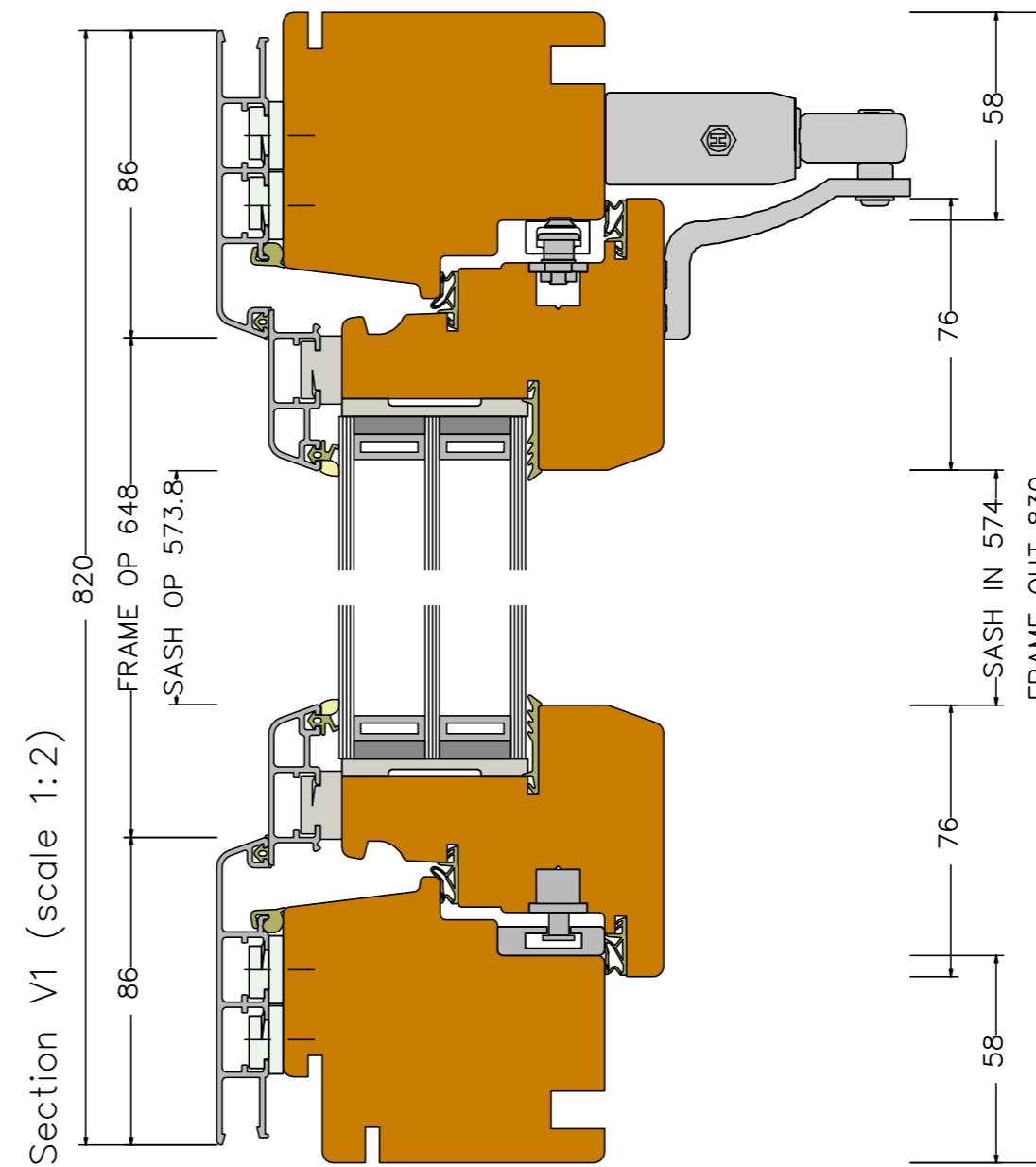
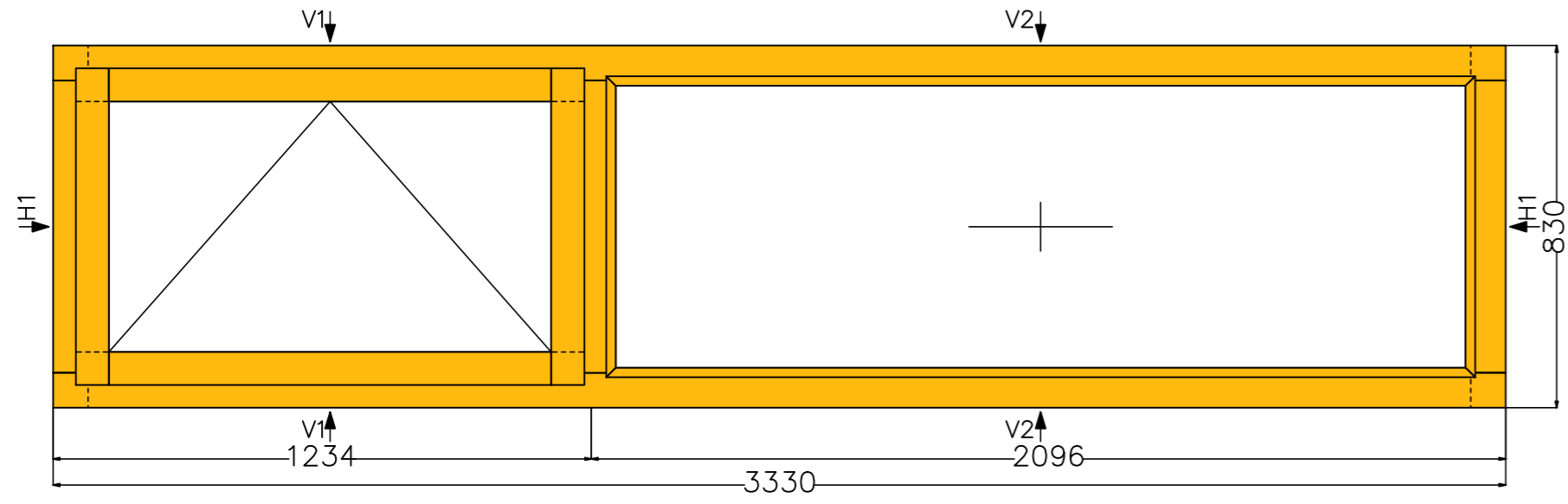


Section H1 (scale 1:2)

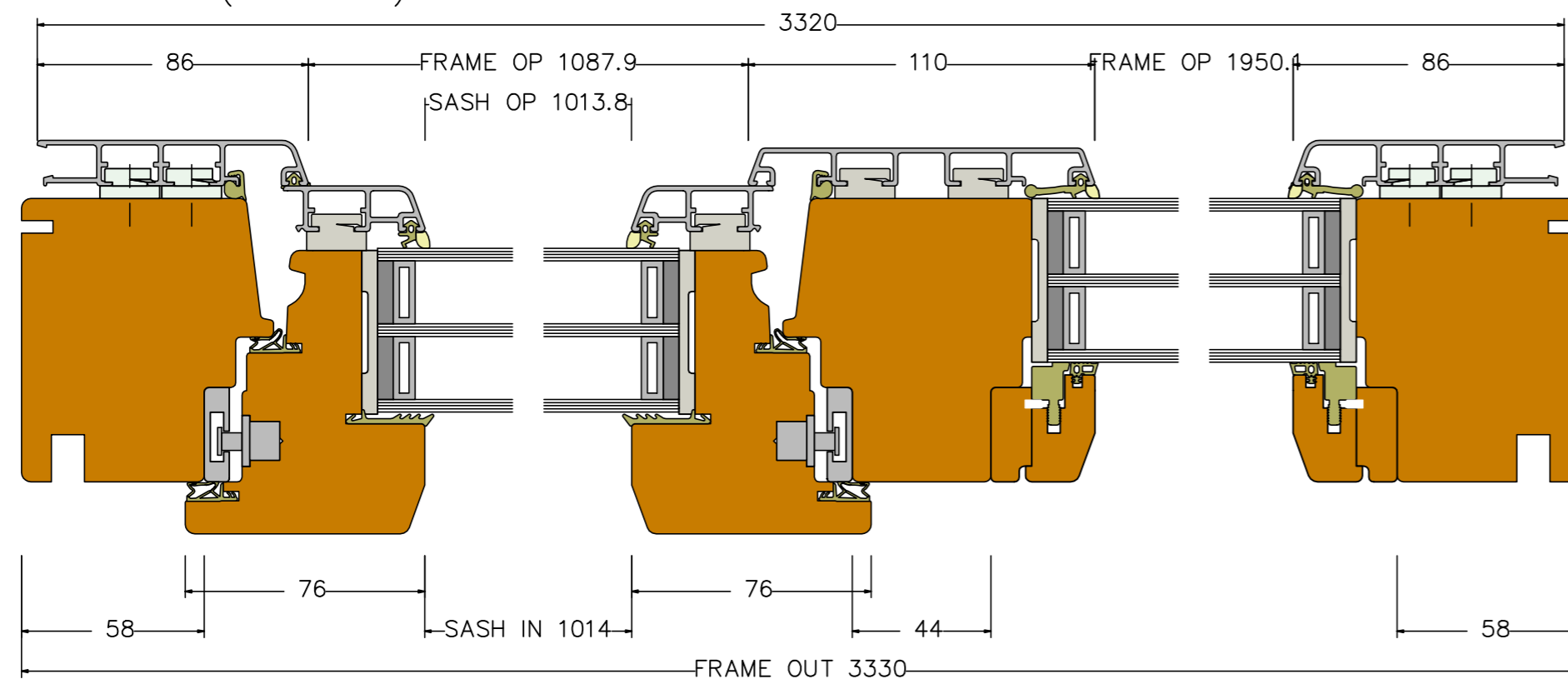


ThermaDura e-MOD Thermally Efficient Window/Door Modules	drawn	Date	Name
		31.05.2020	Rampe
Description: DesignLine e-MOD D-700 Timber-Alu motorized tilt window			
<b>ThermaDura</b>	These drawings are protected by copyright and only to be used in conjunction with the supply of Thermadura products. This drawing is an instrument of service and is provided for informational use only. © 2019 Thermadura Ltd		

View from inside (scale 1:15)

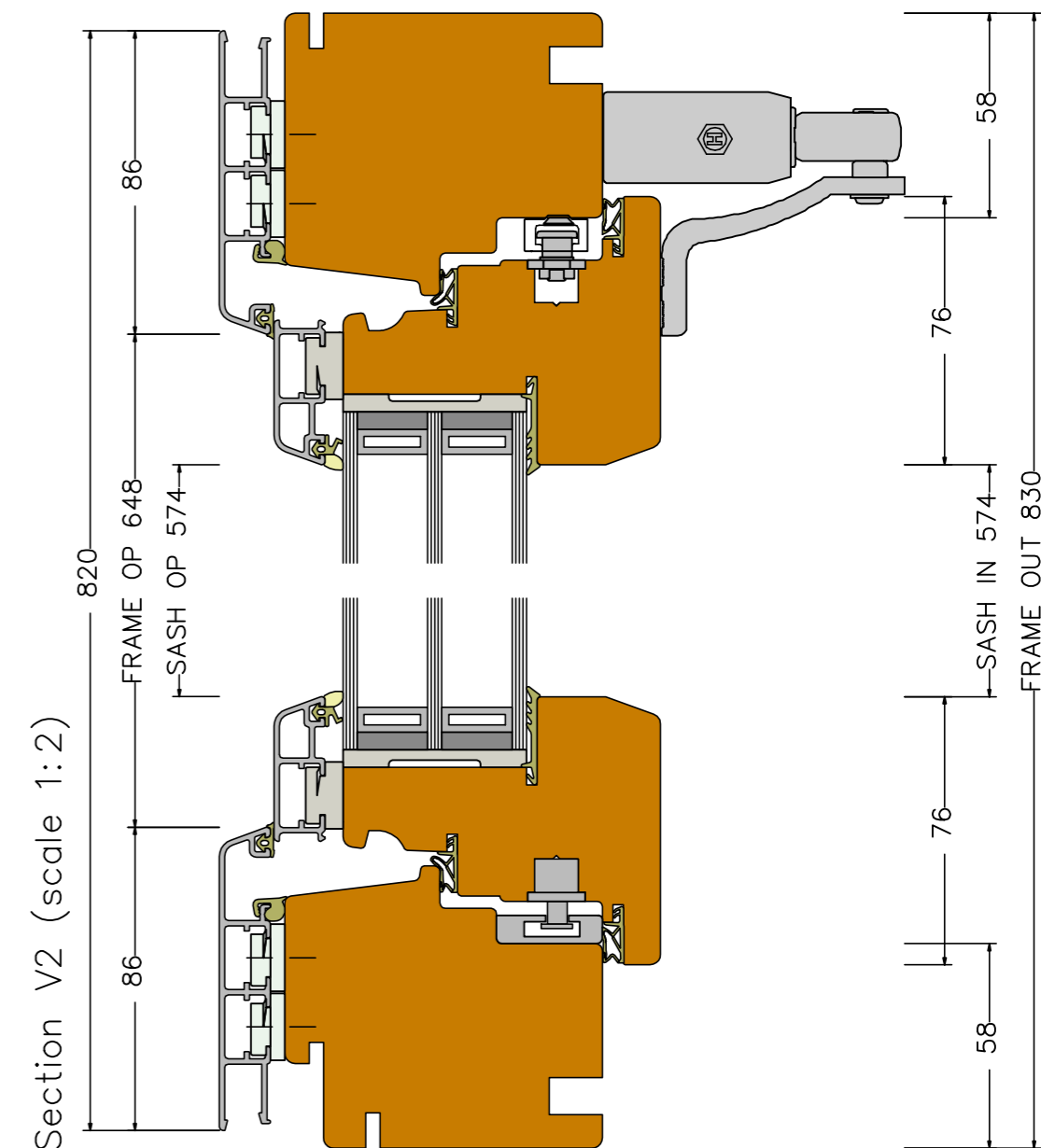
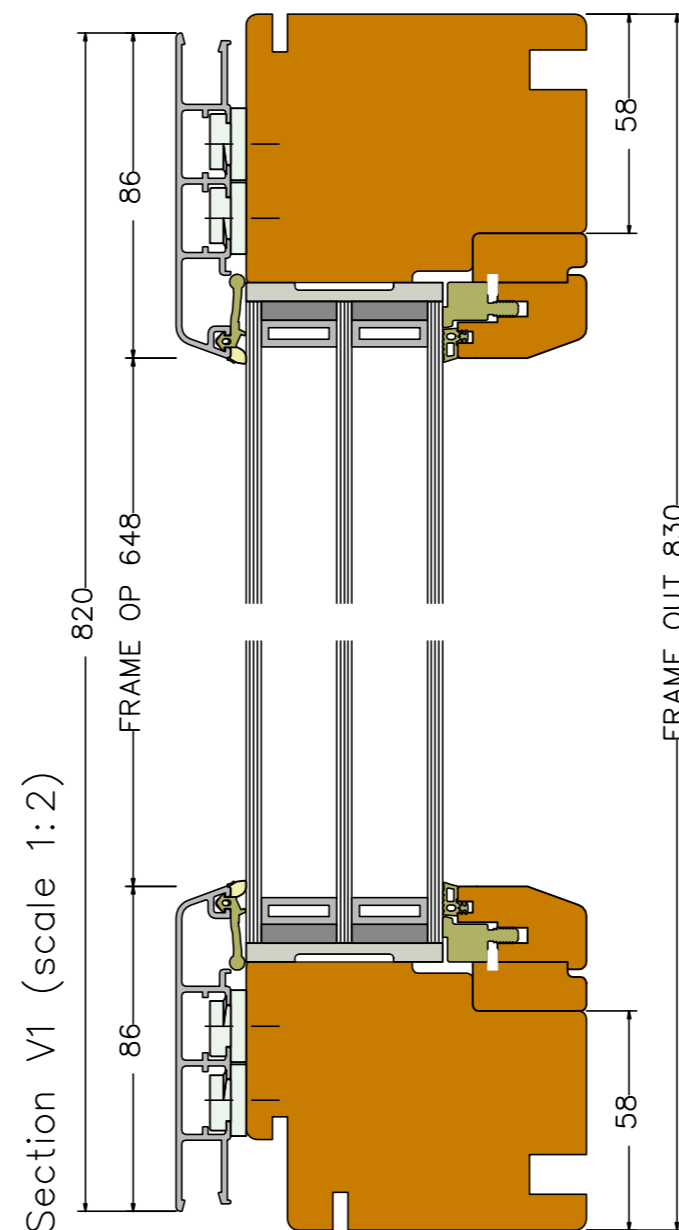
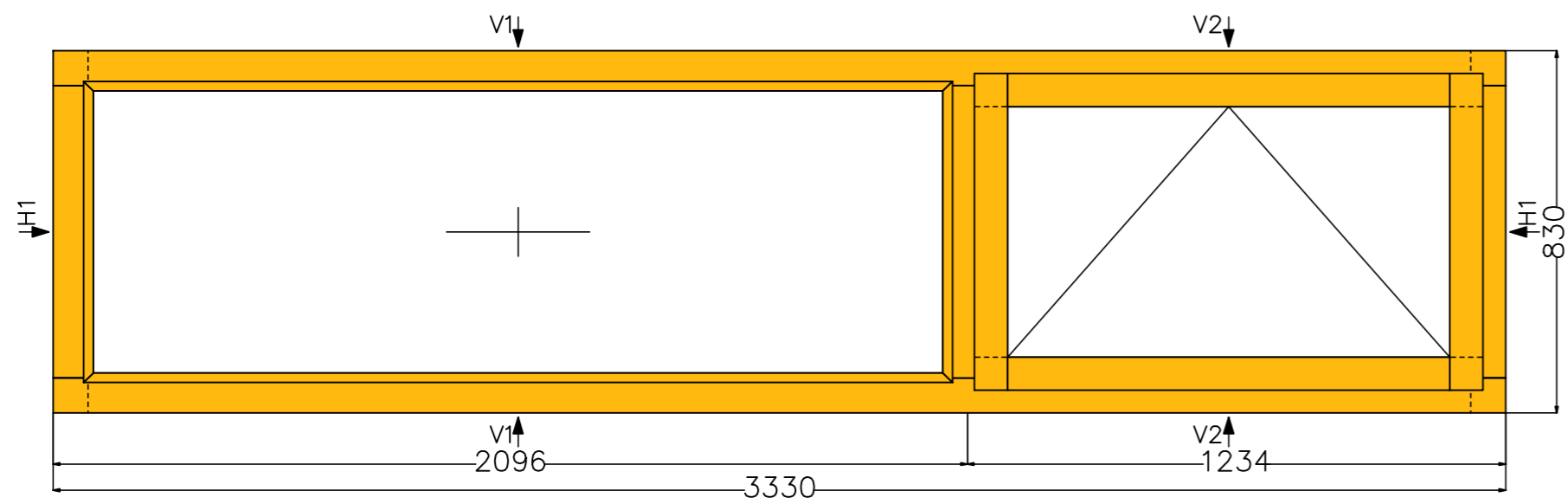


Section H1 (scale 1:2)

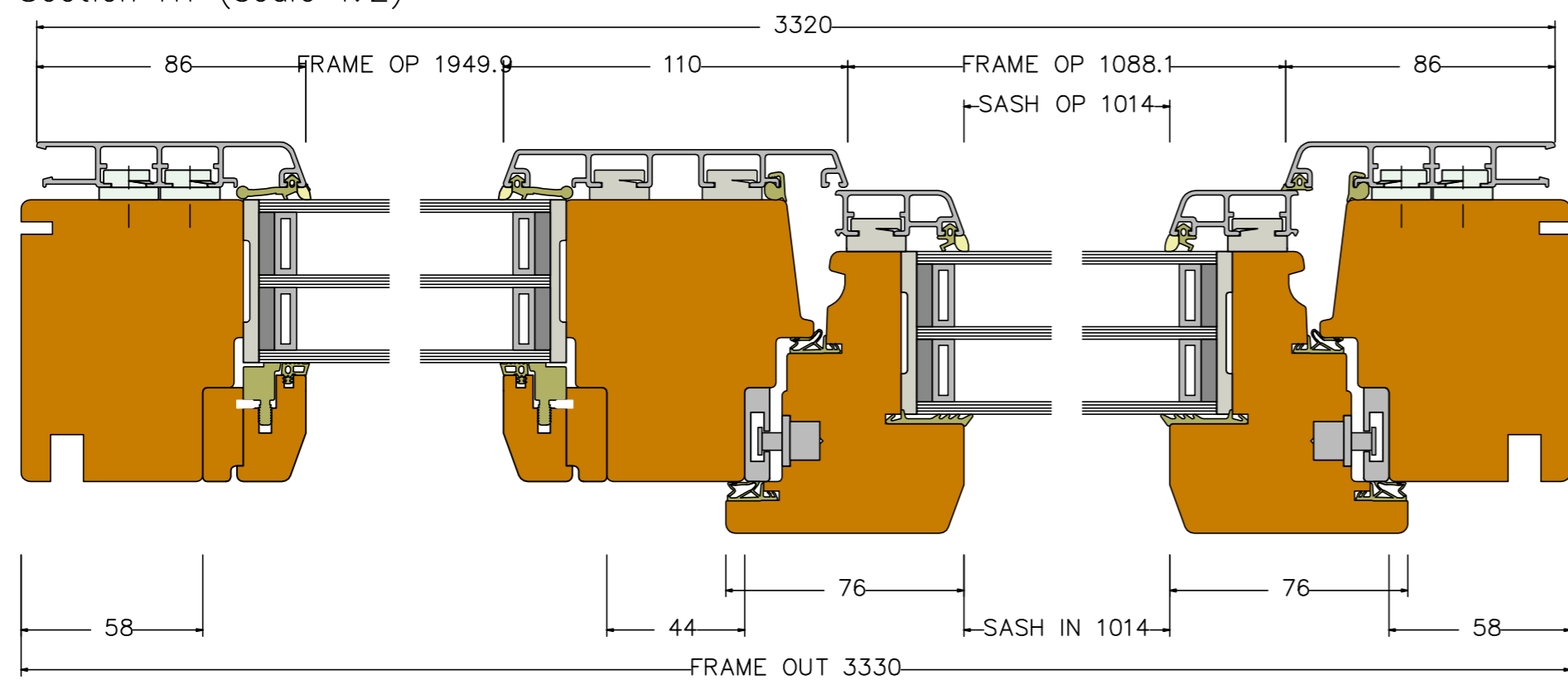


ThermaDura e-MOD Thermally Efficient Window/Door Modules	drawn	Date	Name
		31.05.2020	Rampe
Description: DesignLine e-MOD D-701 Timber-Alu motorized tilt window			
<b>ThermaDura</b>	These drawings are protected by copyright and only to be used in conjunction with the supply of Thermadura products. This drawing is an instrument of service and is provided for informational use only. © 2019 Thermadura Ltd		

View from inside (scale 1:15)

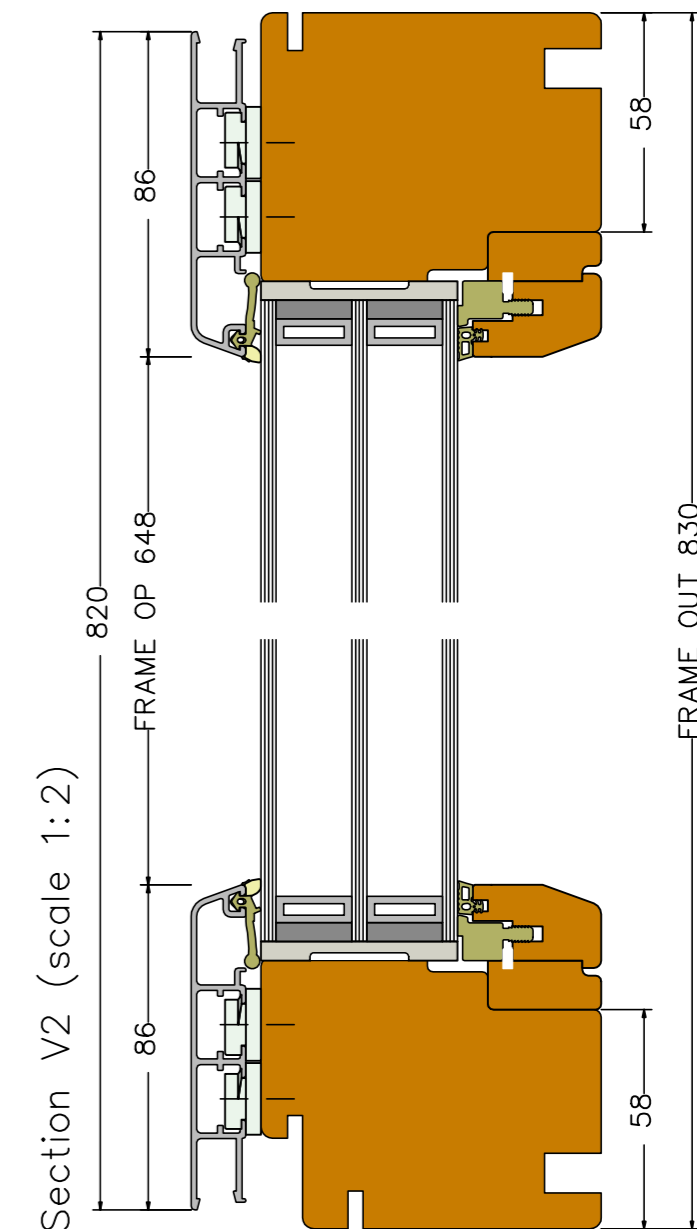
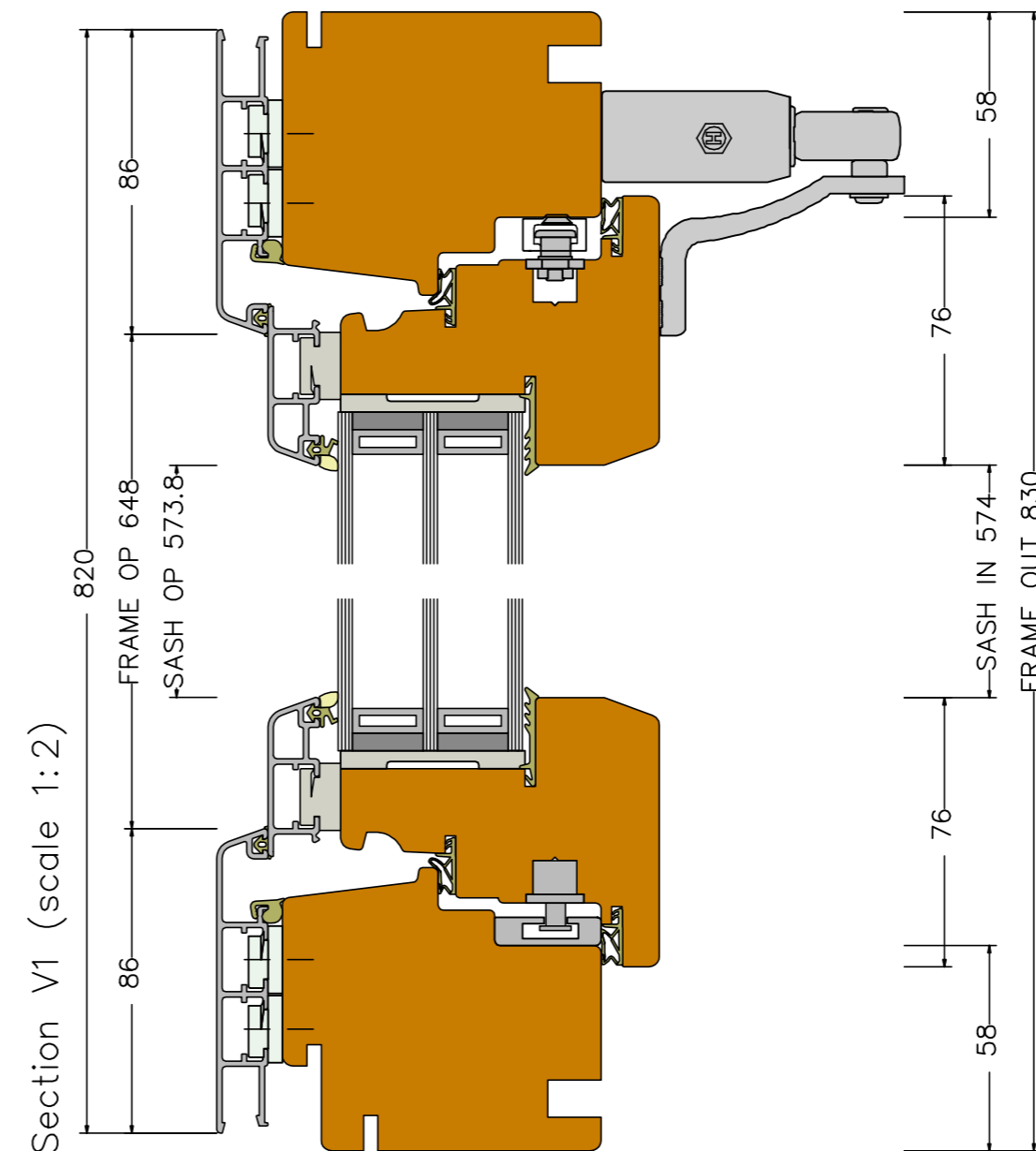
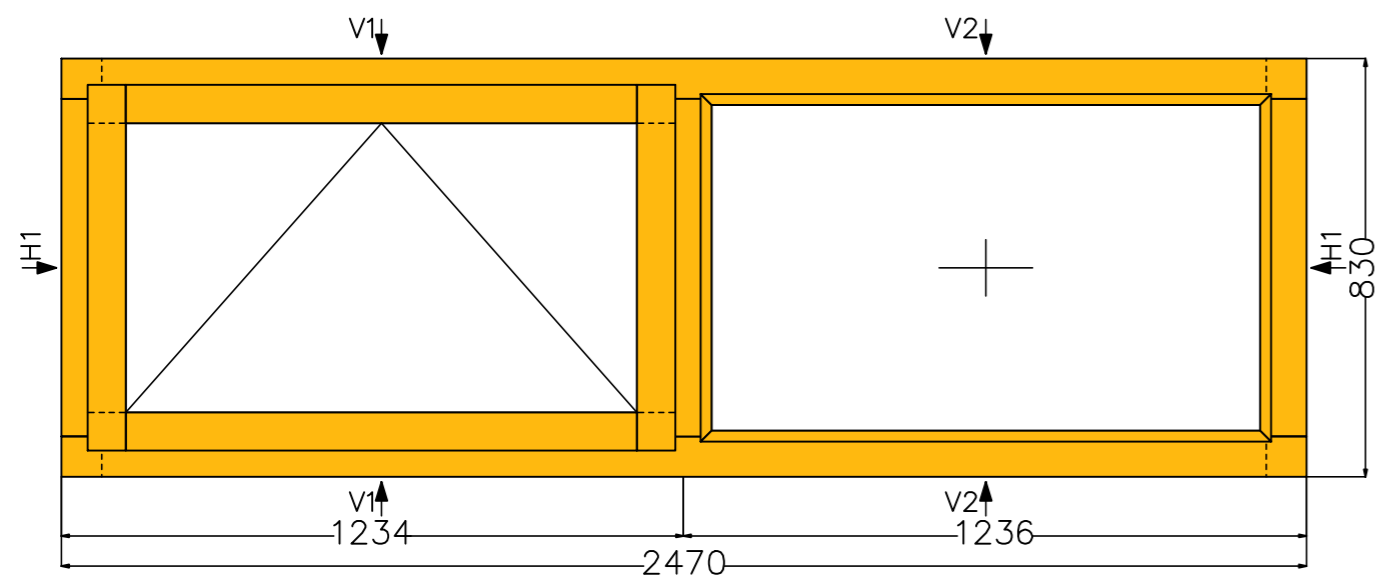


Section H1 (scale 1:2)

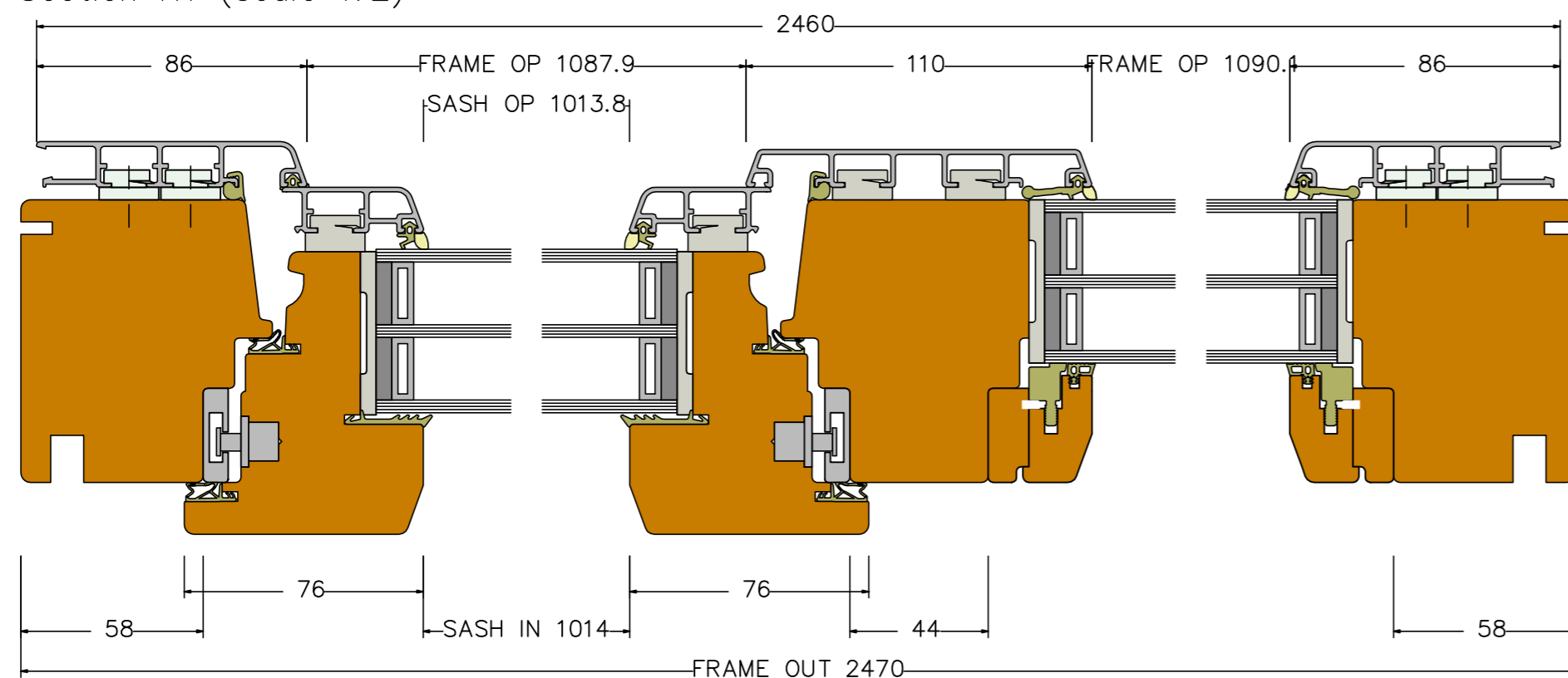


ThermaDura e-MOD Thermally Efficient Window/Door Modules	drawn	Date	Name
		31.05.2020	Rampe
Description: DesignLine e-MOD D-702 Timber-Alu motorized tilt window			
<b>ThermaDura</b>	These drawings are protected by copyright and only to be used in conjunction with the supply of Thermadura products. This drawing is an instrument of service and is provided for informational use only. © 2019 Thermadura Ltd		

View from inside (scale 1:15)

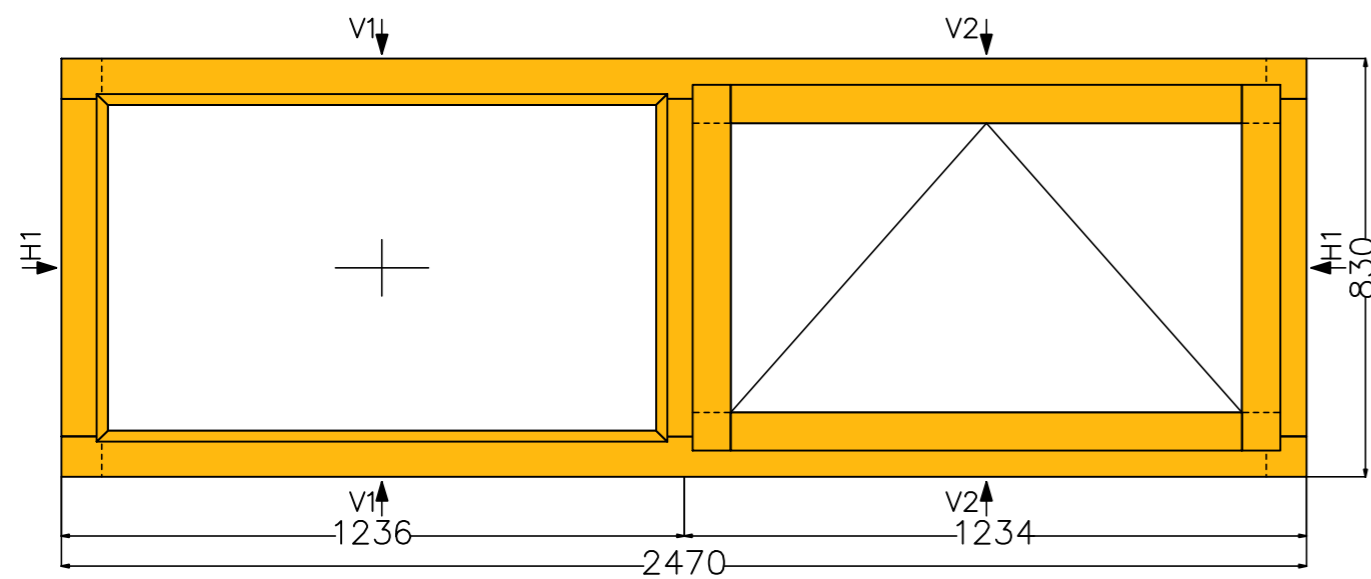


Section H1 (scale 1:2)

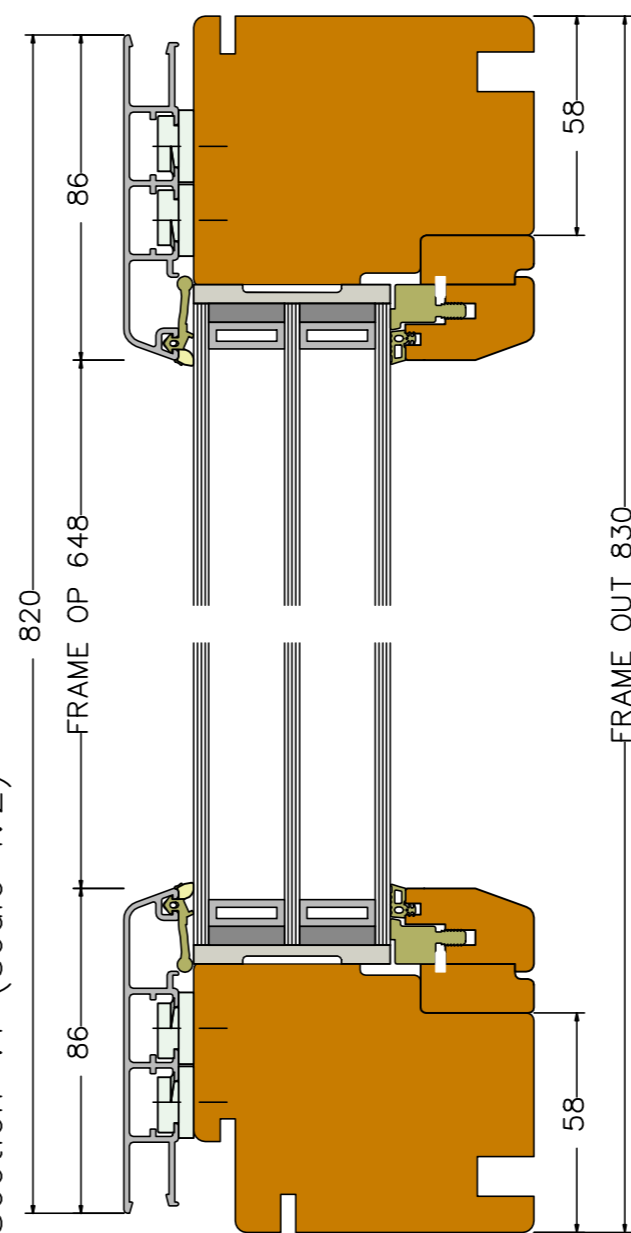


ThermaDura e-MOD Thermally Efficient Window/Door Modules	drawn	Date	Name
		31.05.2020	Rampe
Description: DesignLine e-MOD D-703 Timber-Alu motorized tilt window			
<b>ThermaDura</b>	These drawings are protected by copyright and only to be used in conjunction with the supply of ThermaDura products. This drawing is an instrument of service and is provided for informational use only. © 2019 ThermaDura Ltd		

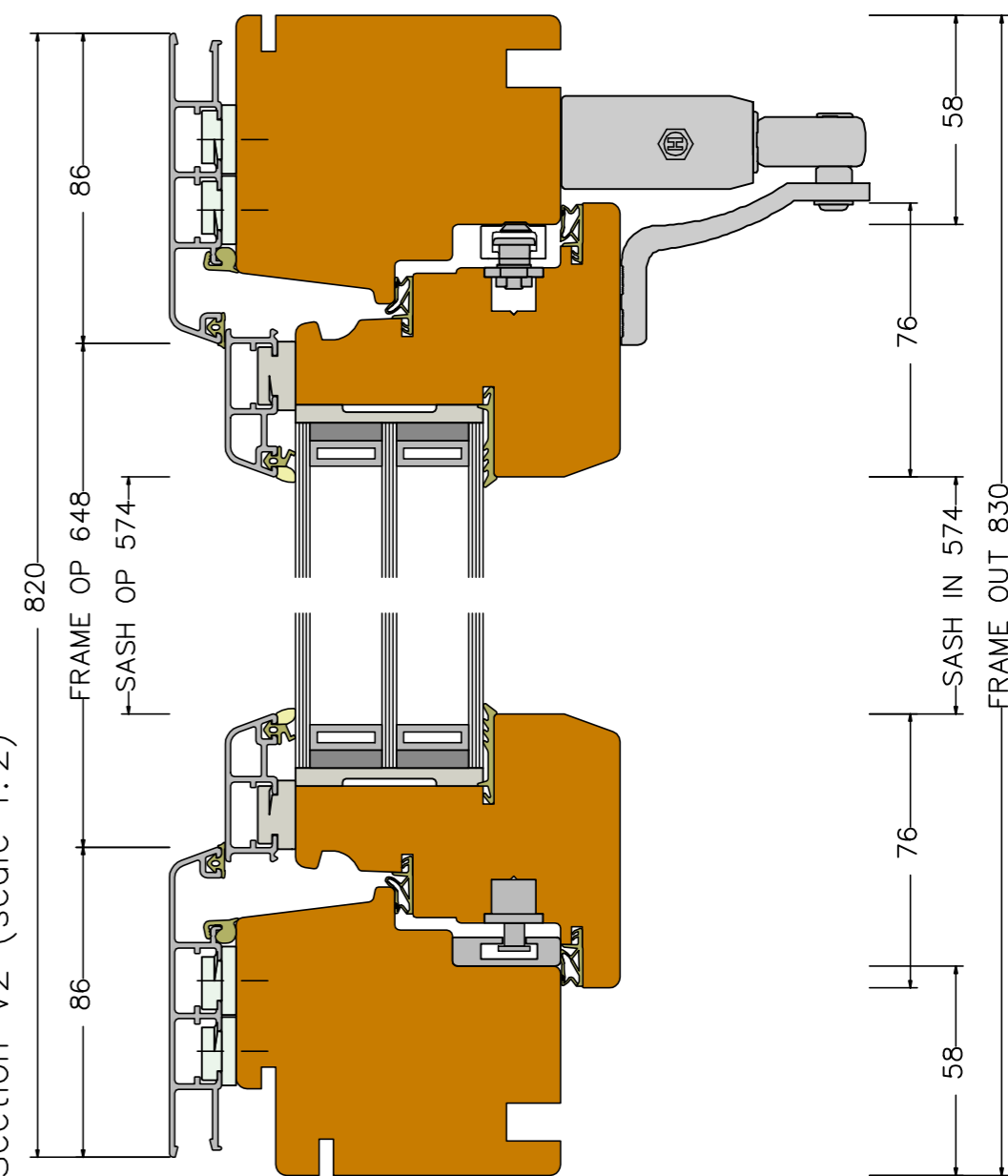
View from inside (scale 1:15)



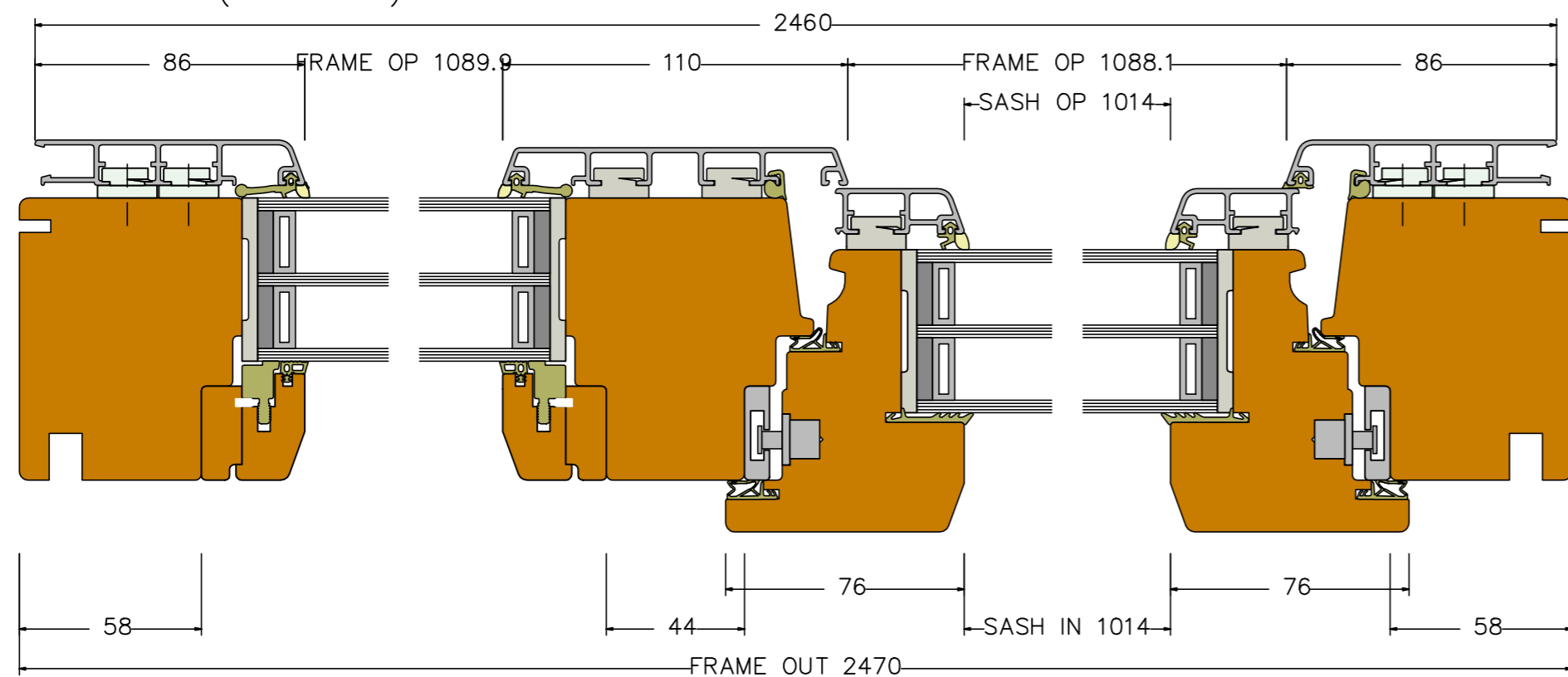
Section V1 (scale 1:2)



Section V2 (scale 1:2)

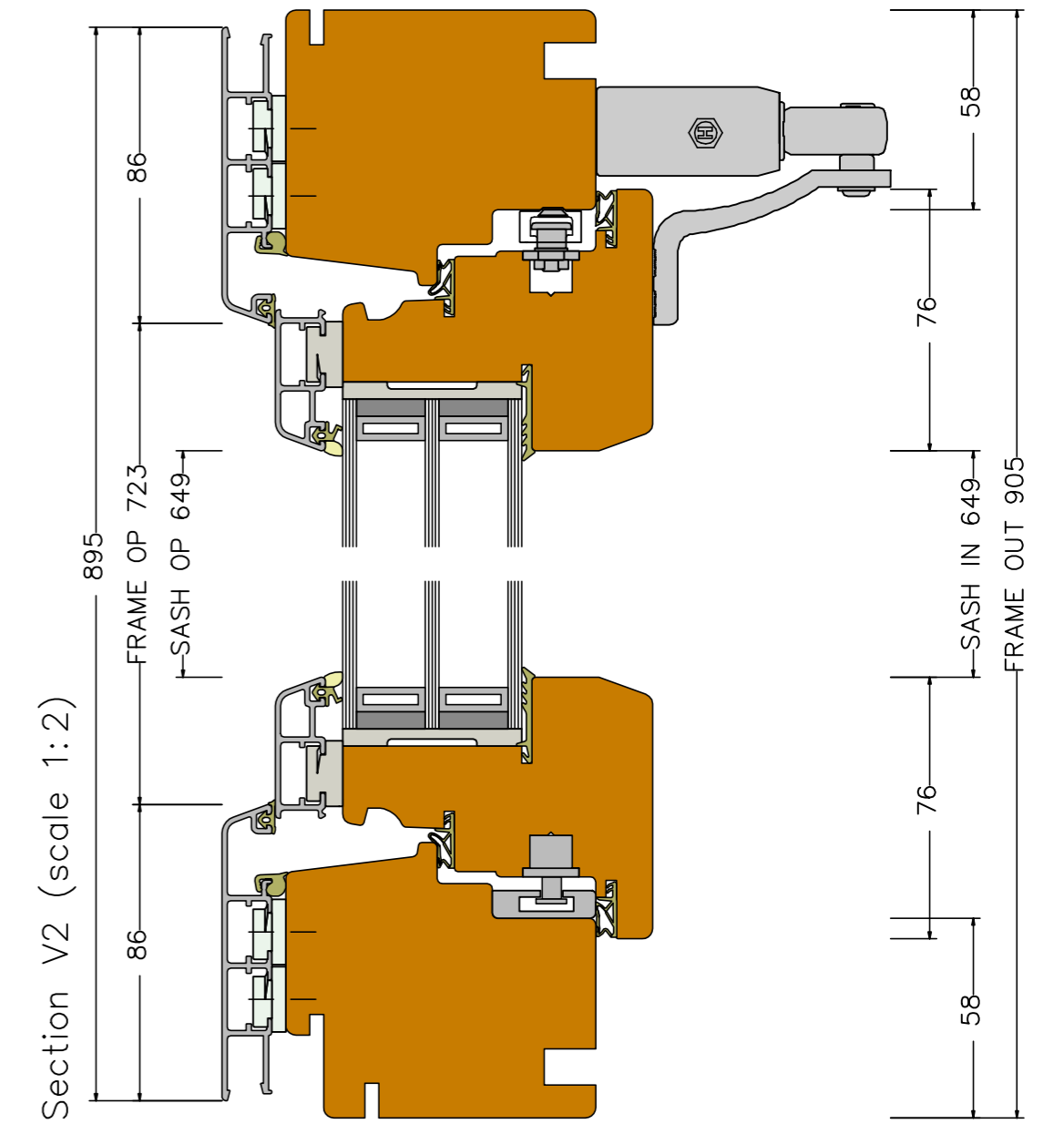
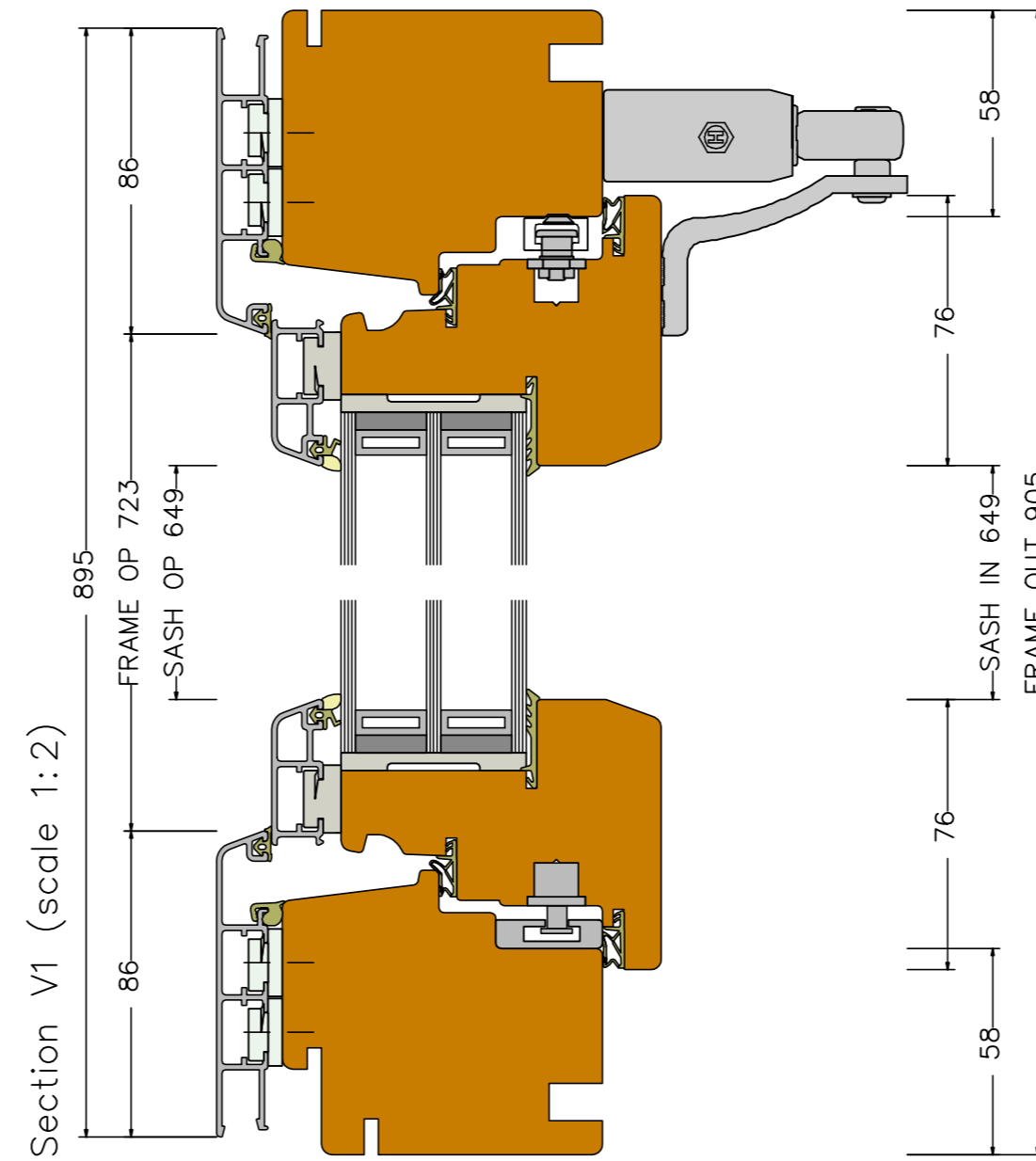
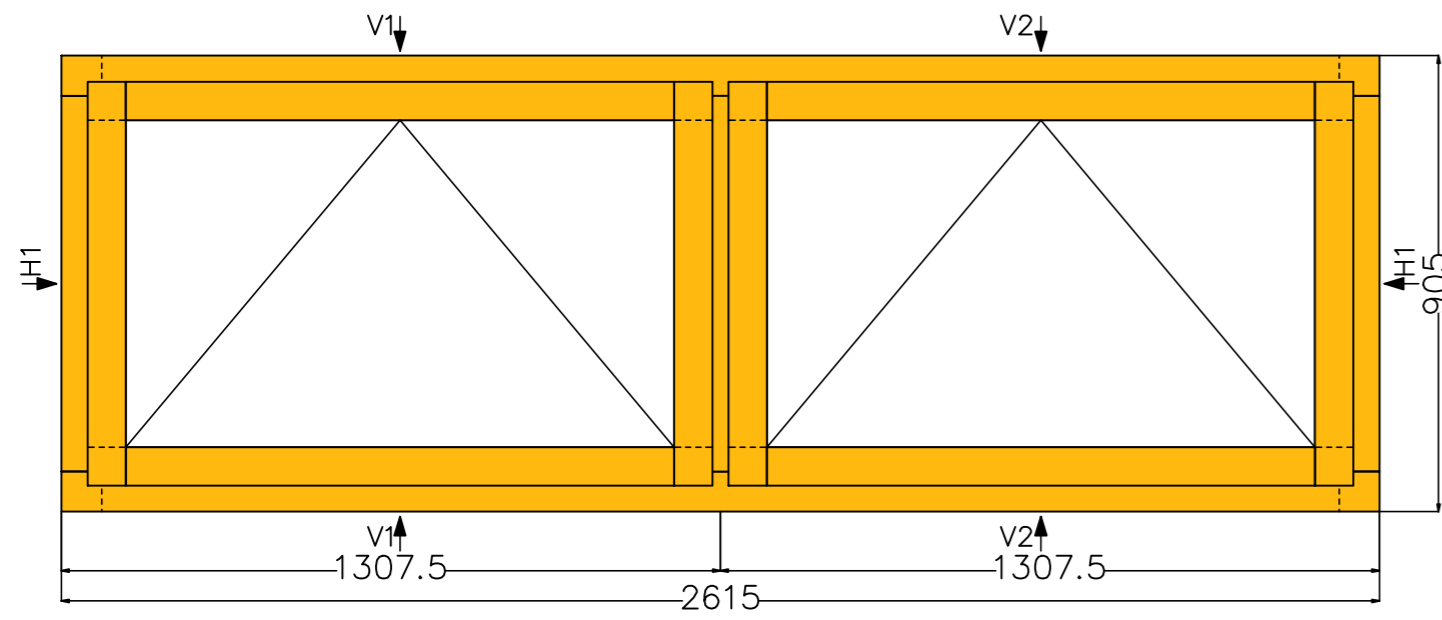


Section H1 (scale 1:2)

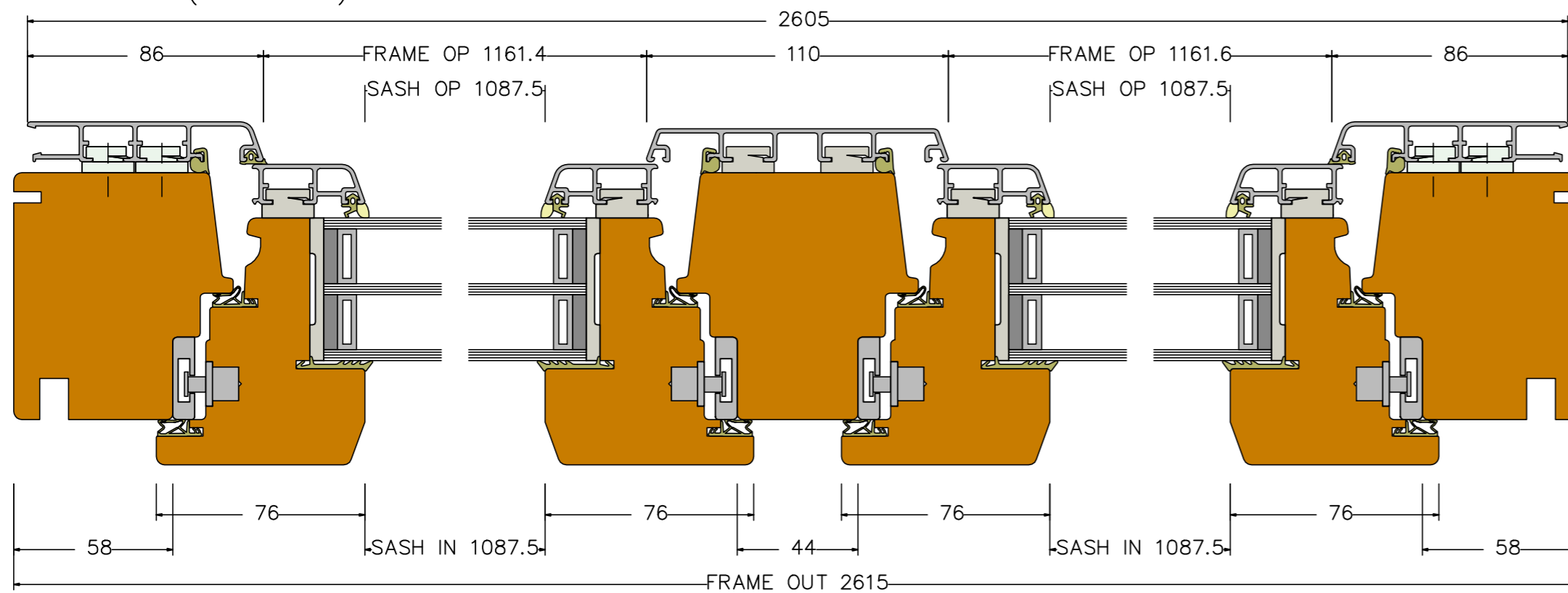


ThermaDura e-MOD Thermally Efficient Window/Door Modules	drawn	Date	Name
		31.05.2020	Rampe
Description: DesignLine e-MOD D-704 Timber-Alu motorized tilt window			
<b>ThermaDura</b>	These drawings are protected by copyright and only to be used in conjunction with the supply of ThermaDura products. This drawing is an instrument of service and is provided for informational use only. © 2019 ThermaDura Ltd		

View from inside (scale 1:15)

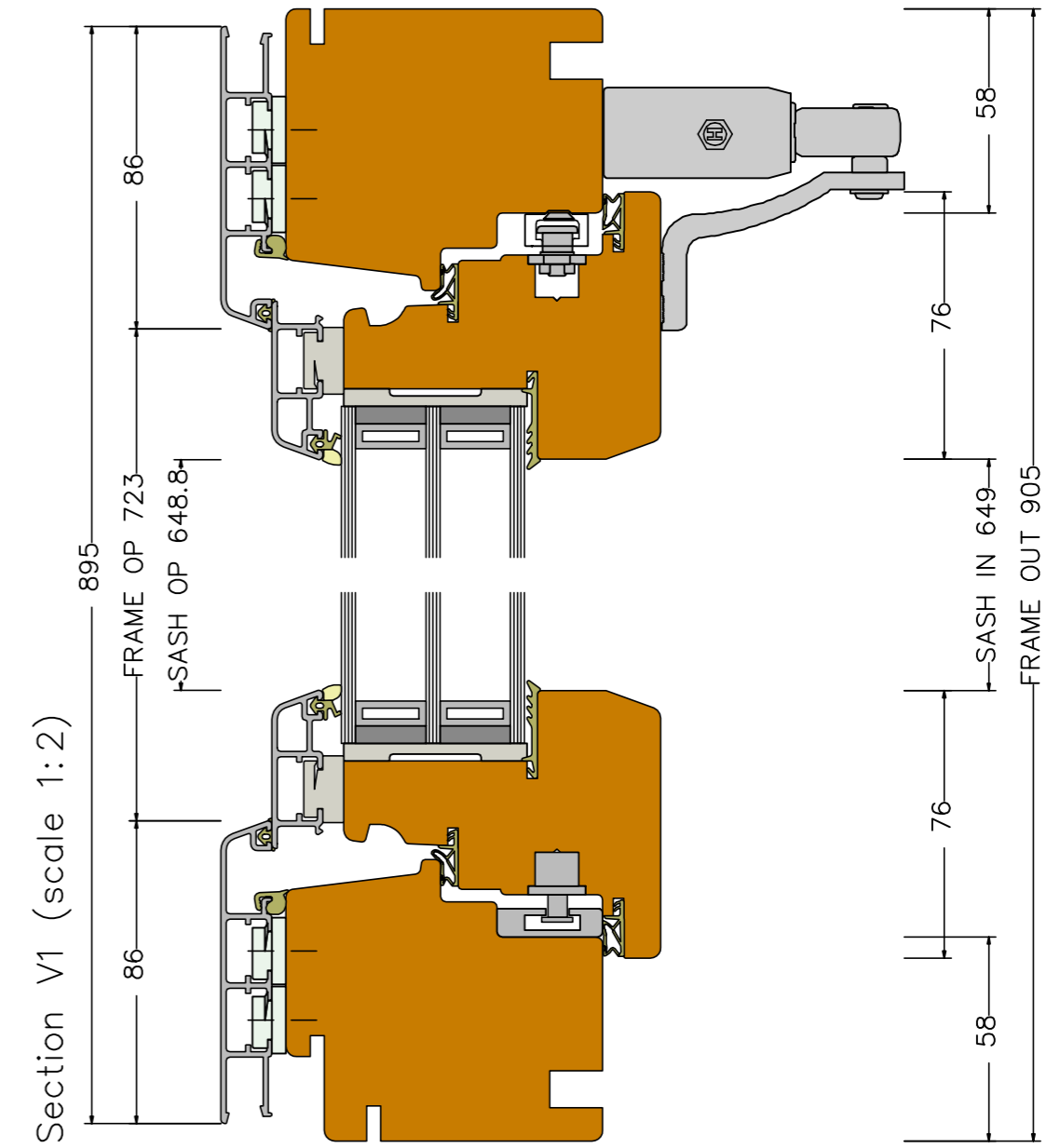
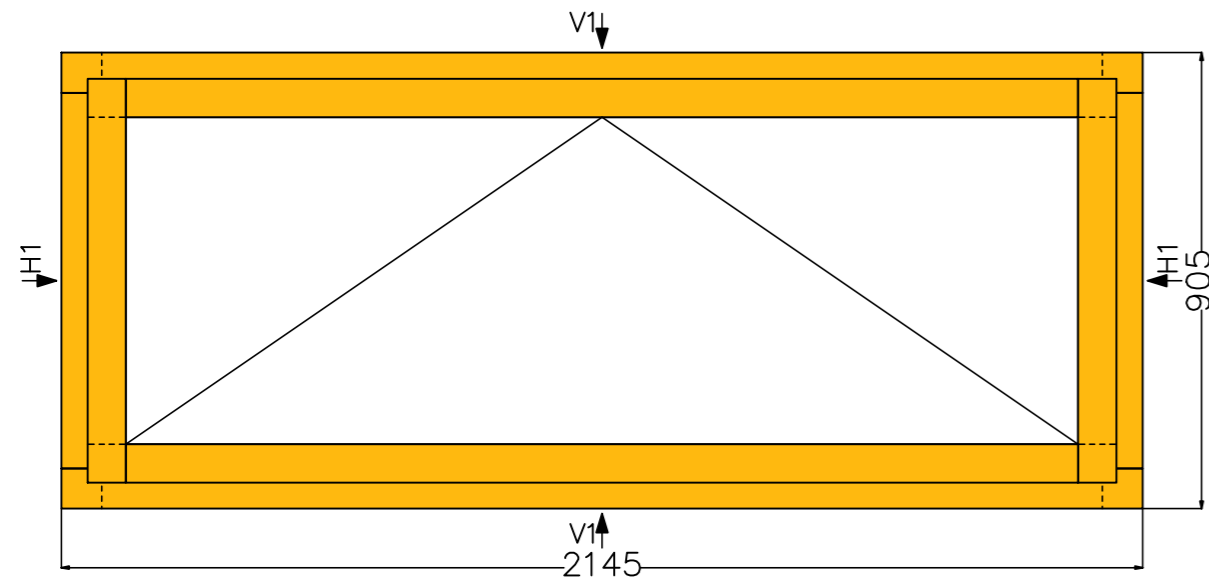


Section H1 (scale 1:2)

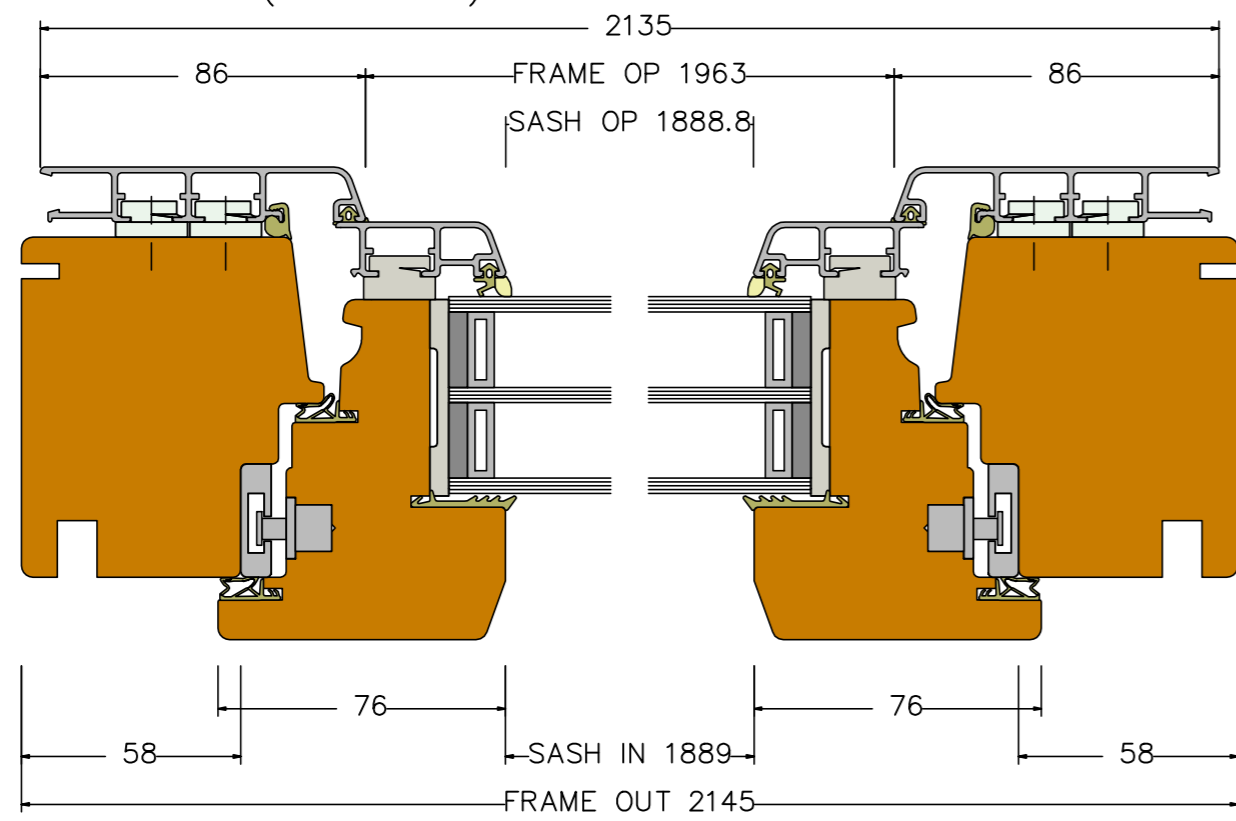


ThermaDura e-MOD Thermally Efficient Window/Door Modules	drawn	Date	Name
		31.05.2020	Rampe
Description: DesignLine e-MOD D-705 Timber-Alu motorized tilt window			
<b>ThermaDura</b>	These drawings are protected by copyright and only to be used in conjunction with the supply of ThermaDura products. This drawing is an instrument of service and is provided for informational use only. © 2019 ThermaDura Ltd		

View from inside (scale 1:15)

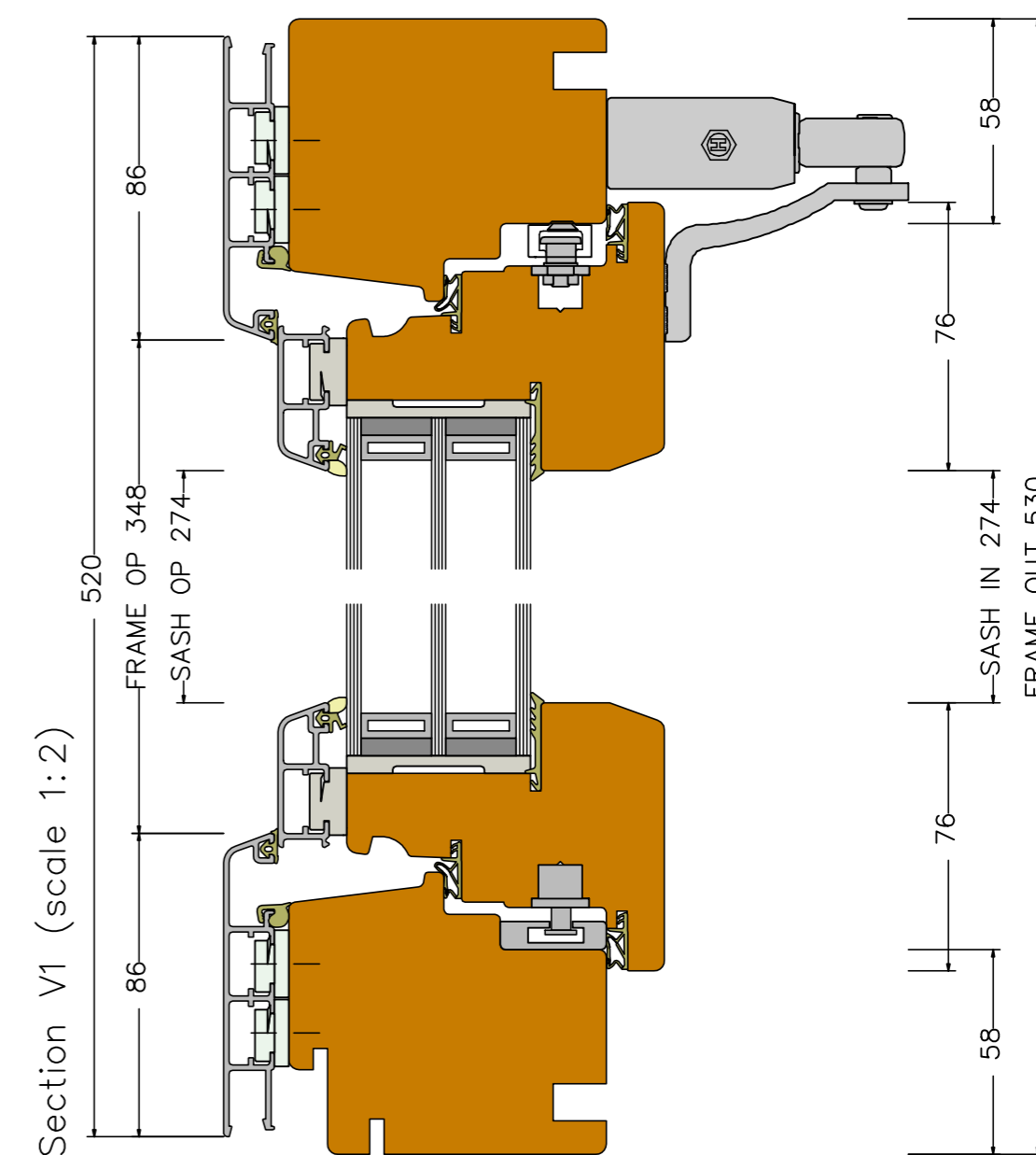
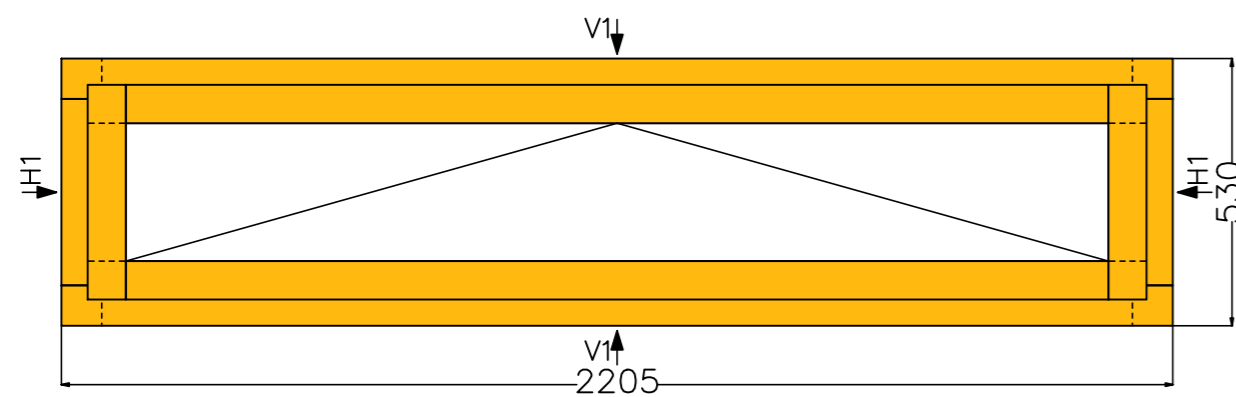


Section H1 (scale 1:2)

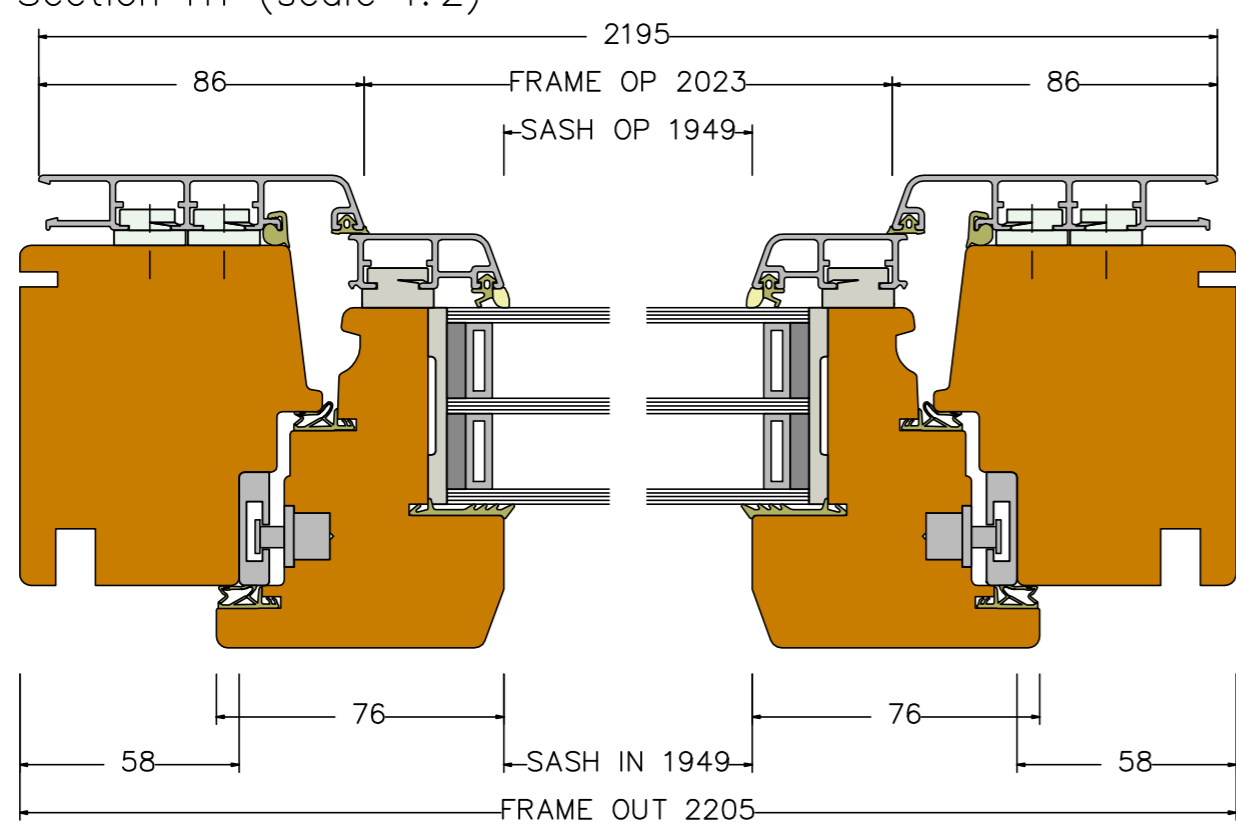


ThermaDura e-MOD Thermally Efficient Window/Door Modules	drawn	Date	Name
		31.05.2020	Rampe
Description: DesignLine e-MOD D-706 Timber-Alu motorized tilt window			
<b>ThermaDura</b>	These drawings are protected by copyright and only to be used in conjunction with the supply of ThermaDura products. This drawing is an instrument of service and is provided for informational use only. © 2019 ThermaDura Ltd		

View from inside (scale 1:15)



Section H1 (scale 1:2)



ThermaDura e-MOD Thermally Efficient Window/Door Modules	drawn	Date	Name
		31.05.2020	Rampe
Description: DesignLine e-MOD D-707 Timber-Alu motorized tilt window			
<b>ThermaDura</b>	These drawings are protected by copyright and only to be used in conjunction with the supply of Thermadura products. This drawing is an instrument of service and is provided for informational use only. © 2019 ThermaDura Ltd		