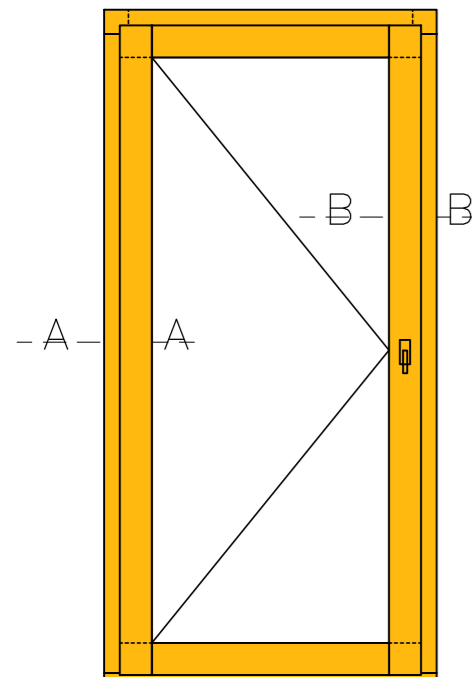


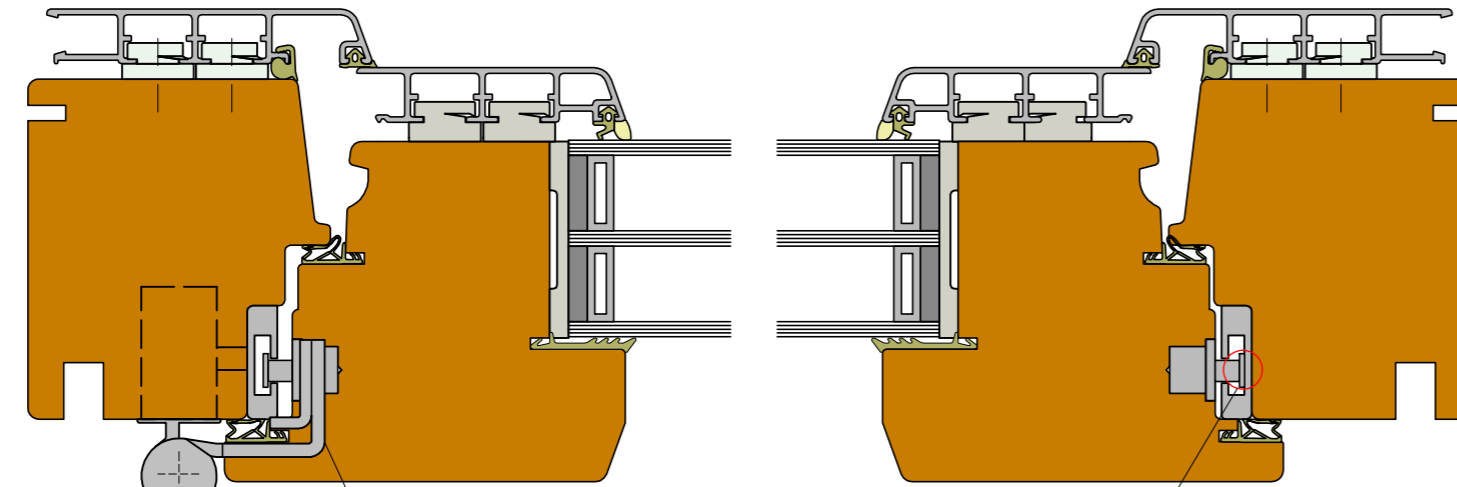
Problem:
The key is difficult or impossible to turn to lock the door

Door frame with sash



- Problem:
- It is difficult to turn the key due to friction of the hardware.
 - The door frame need to be installed with the same frame opening width, top, middle and bottom.
 - If packers are too wide in the center the frame is squeezed together which can cause issues in the operation of the door.
 - The door hinges are horizontally adjustable but this may not be enough to solve the issue.

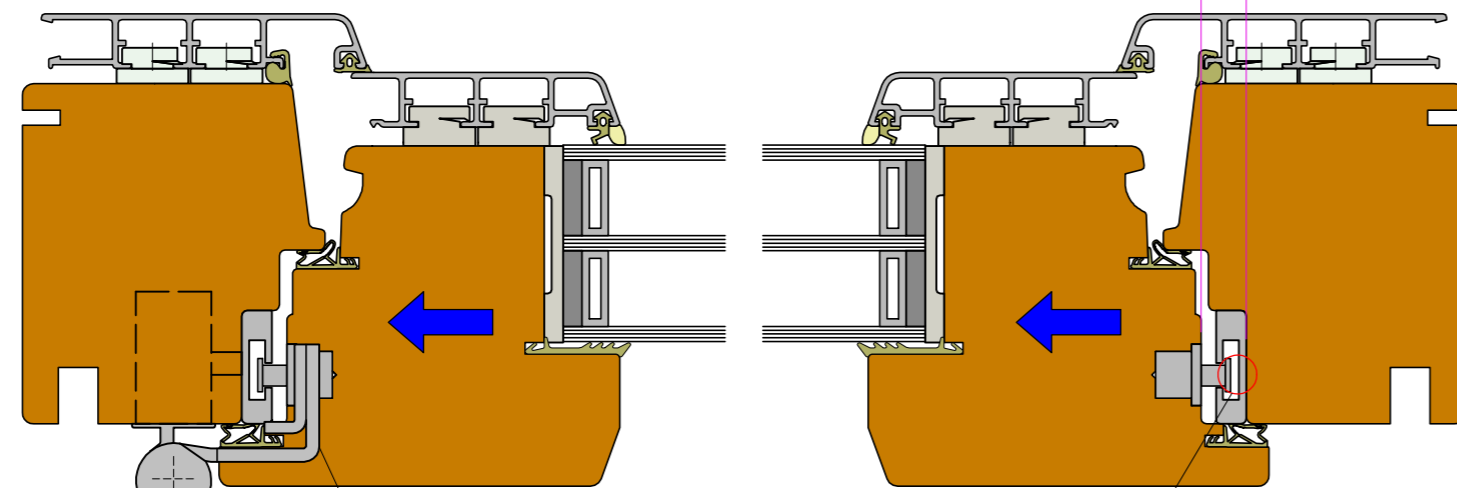
Current situation



BAKA 3d adjustable hinges (check instructions for adjustments)

Sash distance to frame too small. Metal striker fixed to door sash is rubbing against the metal strikers fixed to frame.

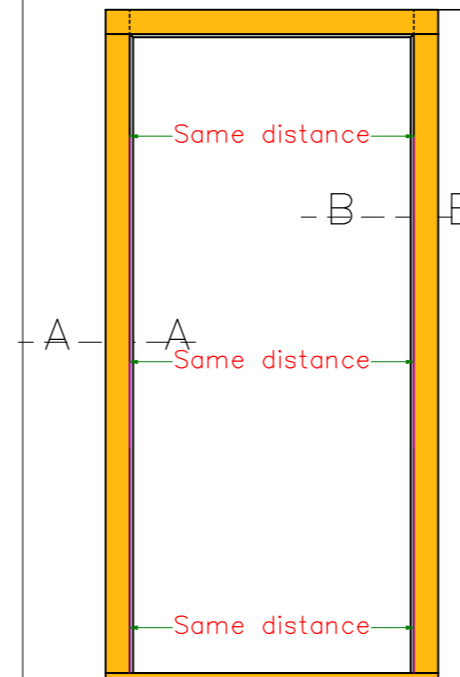
Solution 1



Adjust BAKA 3d adjustable hinges to the lift in this scenario (check instructions for adjustments). Use an Allen key.

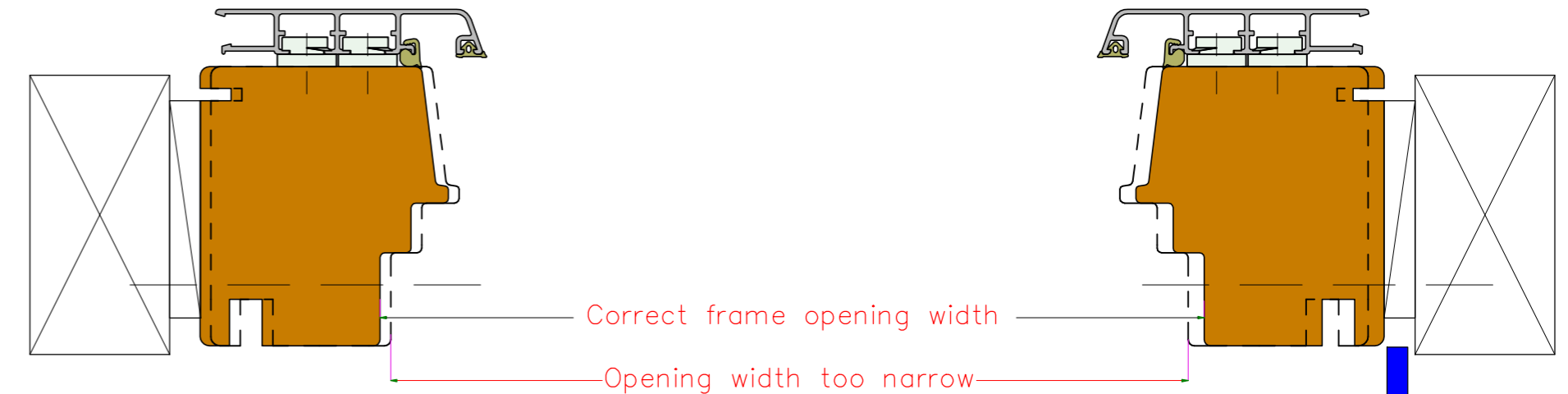
Moving of sash to left allows the locking cam on sash hardware to move freely. If the key is still hard to turn the locking cams can be adjusted with a Torx spanner.

Door frame



- If the hardware adjustment does not solve the problem:
- In most cases the FRAME OPENING DISTANCE in the center of the door frame is narrower compared to top and bottom
 - The door frame opening width in the center of the door frame need to be increased

Solution 2



Fix screws under the striker plates (concealed) to move the sash to the side. Works case packers between the door frame and house framing need to be removed.

Replace existing packer with thinner packer

Improper installation leads to increased wear and tear on the mechanism and seals.

These drawings are protected by copyright and only to be used in conjunction with the supply of ThermaDura products. This drawing is an instrument of service and is provided for informational use only.
© 2015 GQP Ltd trading as ThermaDura

NatureLine/DesignLine hinged door	
Troubleshooting guide	Page 1
28.09.2019	Details are subject to change without prior notice

