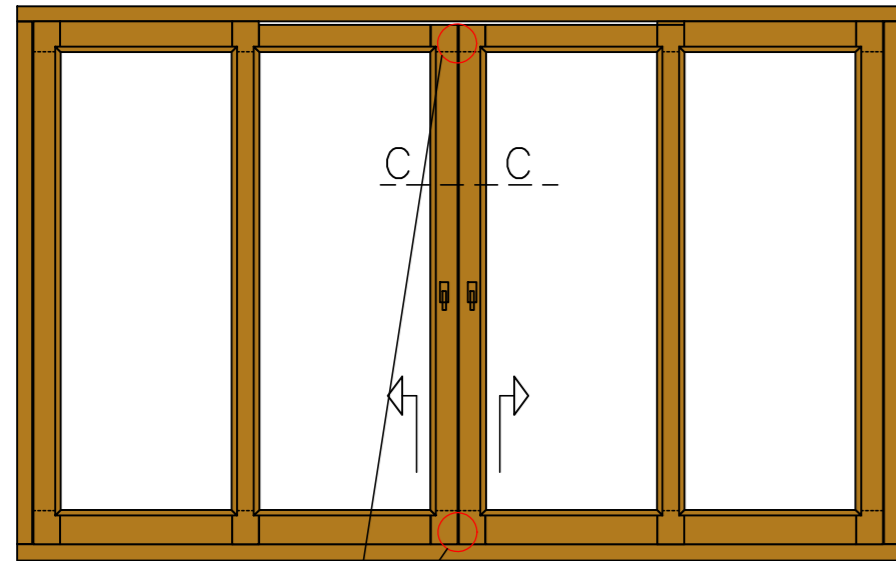


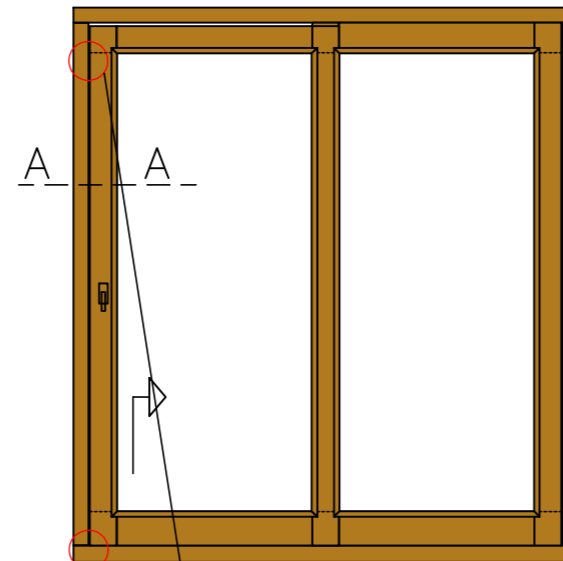
Problem:  
Door sashes do not close properly

View from inside (Design C)



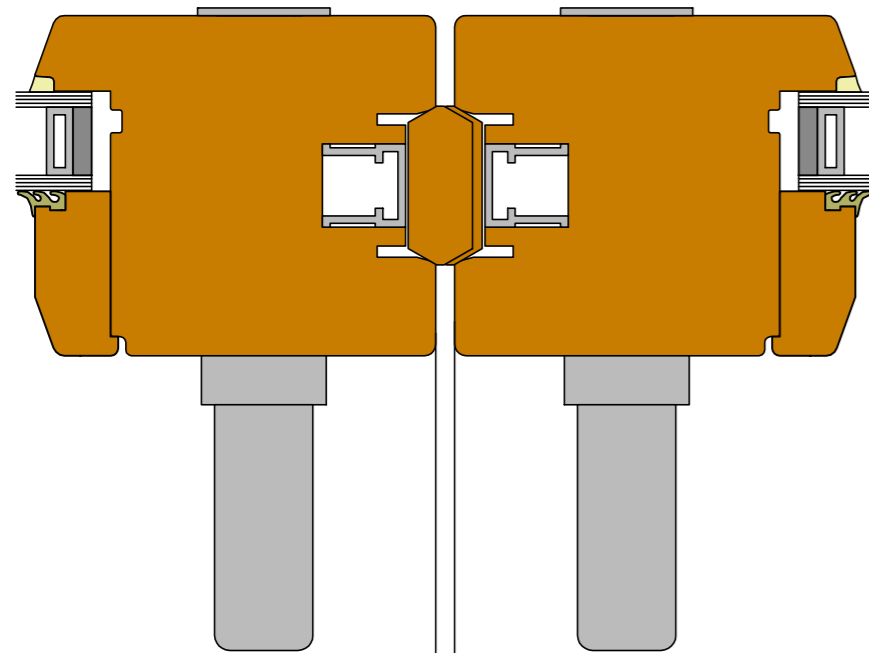
Ensure same distance between sashes at top and bottom

View from inside (Design A)



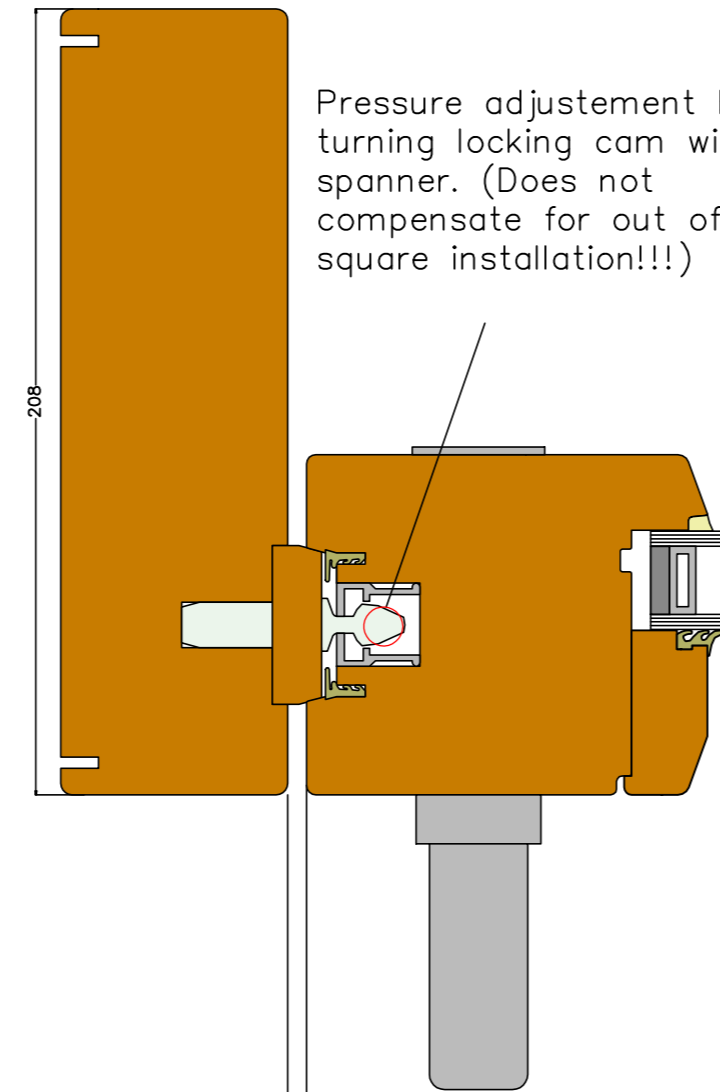
Ensure same distance between sash and frame at top and bottom

Section C1 (scale 1:2)



Same distance top/bottom

Section A1 (scale 1:2)



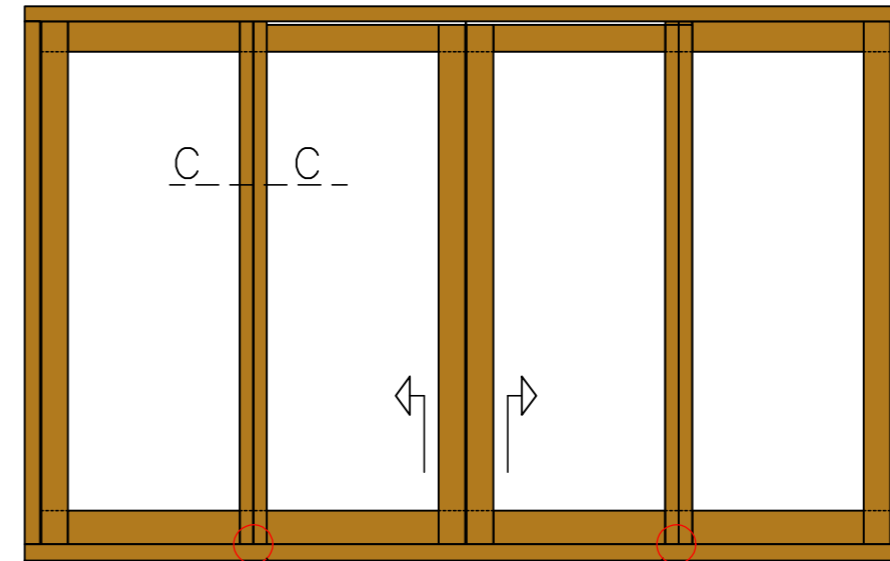
Same distance top/bottom

- Notes:
- Lift slide doors are not adjustable like tilt-turn windows.
  - The installation needs to be done 100% square and plumb to ensure the gap is even as drawn.
  - Please take into consideration that lasers can have a tolerance up to 3mm!
  - For Design C (2 sliding sashes) the sill adjustment in the center is crucial (it pays to allow access to the packers under the sill center to readjust later after the building has settled)

These drawings are protected by copyright and only to be used in conjunction with the supply of ThermoDura products. This drawing is an instrument of service and is provided for informational use only. © 2015 GQP Ltd trading as ThermoDura

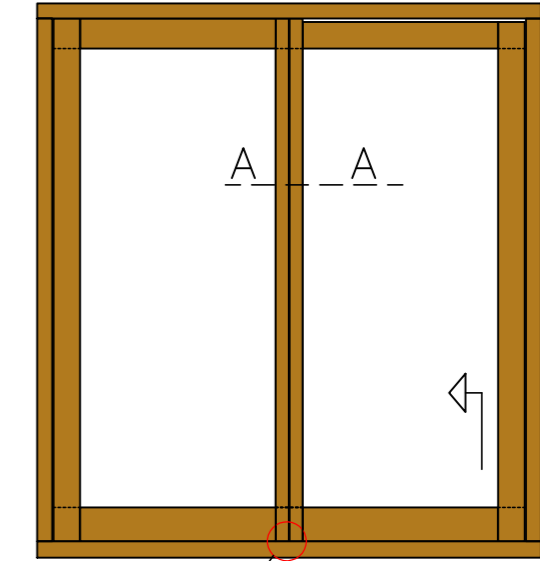
Problem:  
water tracks along the Aluminium track on the inside

View from outside (Design C)



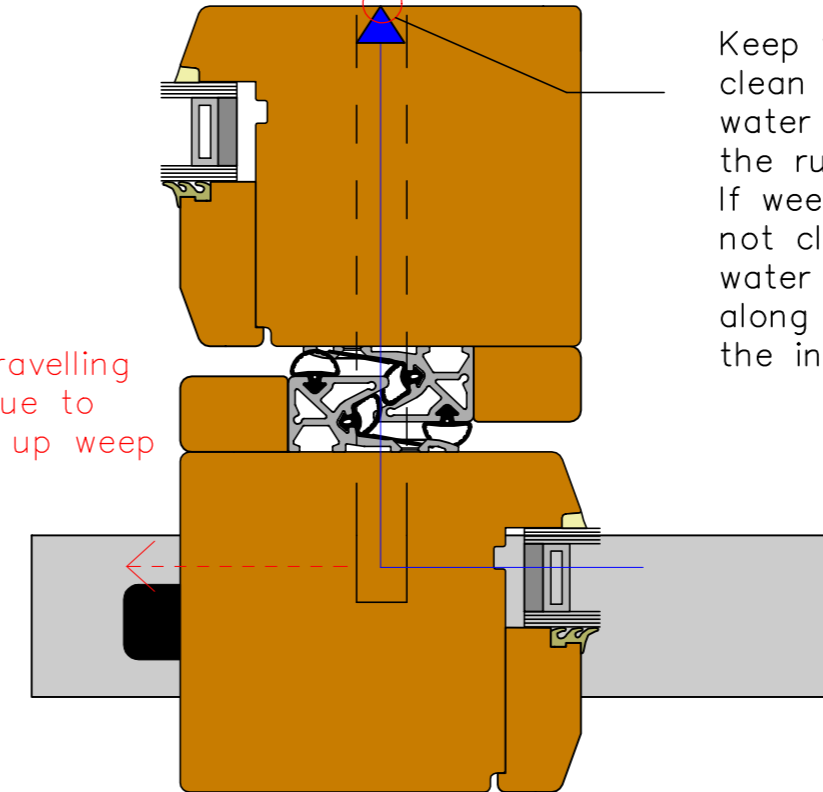
Clear weep holes

View from outside (Design A)



Clear weep hole

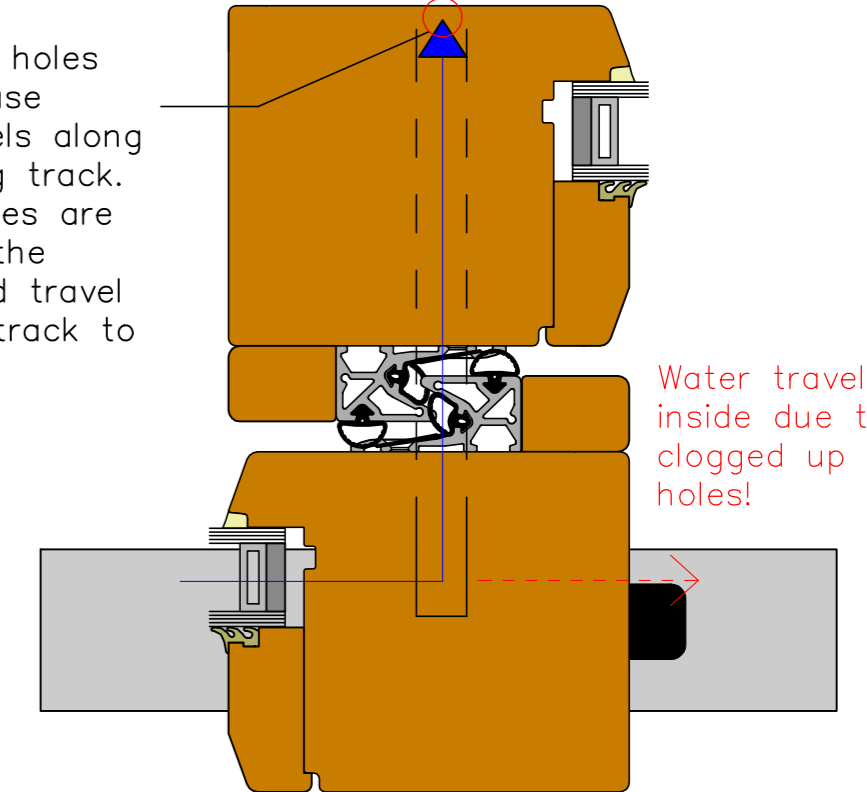
Section C2 (Design C)



Keep weep holes clean in case water travels along the running track. If weep holes are not clean the water could travel along the track to the inside!

Water travelling inside due to clogged up weep holes!

Section A2 (Design A)



Water travelling inside due to clogged up weep holes!

- Notes:
- It is normal in the building process that shavings or dust can end up in the weep holes. Blow the weep holes out with compressed air or use a drill in case the dust is compacted.

NatureLine/DesignLine Lift slide door

Troubleshooting guide

28.09.2019

Details are subject to change without prior notice

